



US00D677444S

(12) **United States Design Patent**  
**Thurmond**

(10) **Patent No.:** **US D677,444 S**  
(45) **Date of Patent:** **\*\* Mar. 5, 2013**

(54) **MOBILE WASTE LINER COMPARTMENT**

(76) Inventor: **Erin Thurmond**, New York, NY (US)

(\*\*) Term: **14 Years**

(21) Appl. No.: **29/414,190**

(22) Filed: **Feb. 25, 2012**

(51) **LOC (9) Cl.** ..... **09-09**

(52) **U.S. Cl.** ..... **D34/5**

(58) **Field of Classification Search** ..... D34/1,  
D34/5, 6, 7, 8, 9, 10, 11, 28, 17; 220/908,  
220/908.1, 909-911, 630, 234, 733, 737;  
D9/455; 248/907, 346.08, 146, 69, 346.03,  
248/346.11; 224/428, 416, 42.11; D23/206;  
280/79.11, 326, 79.2, 79.5

See application file for complete search history.

(56) **References Cited**

**U.S. PATENT DOCUMENTS**

D221,633 S \* 8/1971 Kotkowski ..... D34/23  
D302,944 S \* 8/1989 Mount ..... D15/152  
D340,761 S \* 10/1993 Long ..... D23/206  
5,836,554 A \* 11/1998 Lesage ..... 248/152

RE37,350 E \* 9/2001 Stephan ..... 280/79.5  
D481,505 S \* 10/2003 Whiteagle ..... D34/5  
D508,595 S \* 8/2005 Reiter ..... D34/6  
D573,774 S \* 7/2008 Archer ..... D34/28  
D650,957 S \* 12/2011 Erickson ..... D34/23

\* cited by examiner

*Primary Examiner* — Cynthia Ramirez

(74) *Attorney, Agent, or Firm* — Cittance & Chinta LLP;  
Henry J. Cittance

(57) **CLAIM**

The ornamental design for a mobile waste liner compartment,  
as shown and described.

**DESCRIPTION**

FIG. 1 is a perspective view from above of a mobile waste  
liner compartment, showing my new design; and  
FIG. 2 is a front view thereof;  
FIG. 3 is a side view thereof;  
FIG. 4 is a side view thereof;  
FIG. 5 is a top view thereof; and,  
FIG. 6 is a bottom view thereof.

**1 Claim, 4 Drawing Sheets**

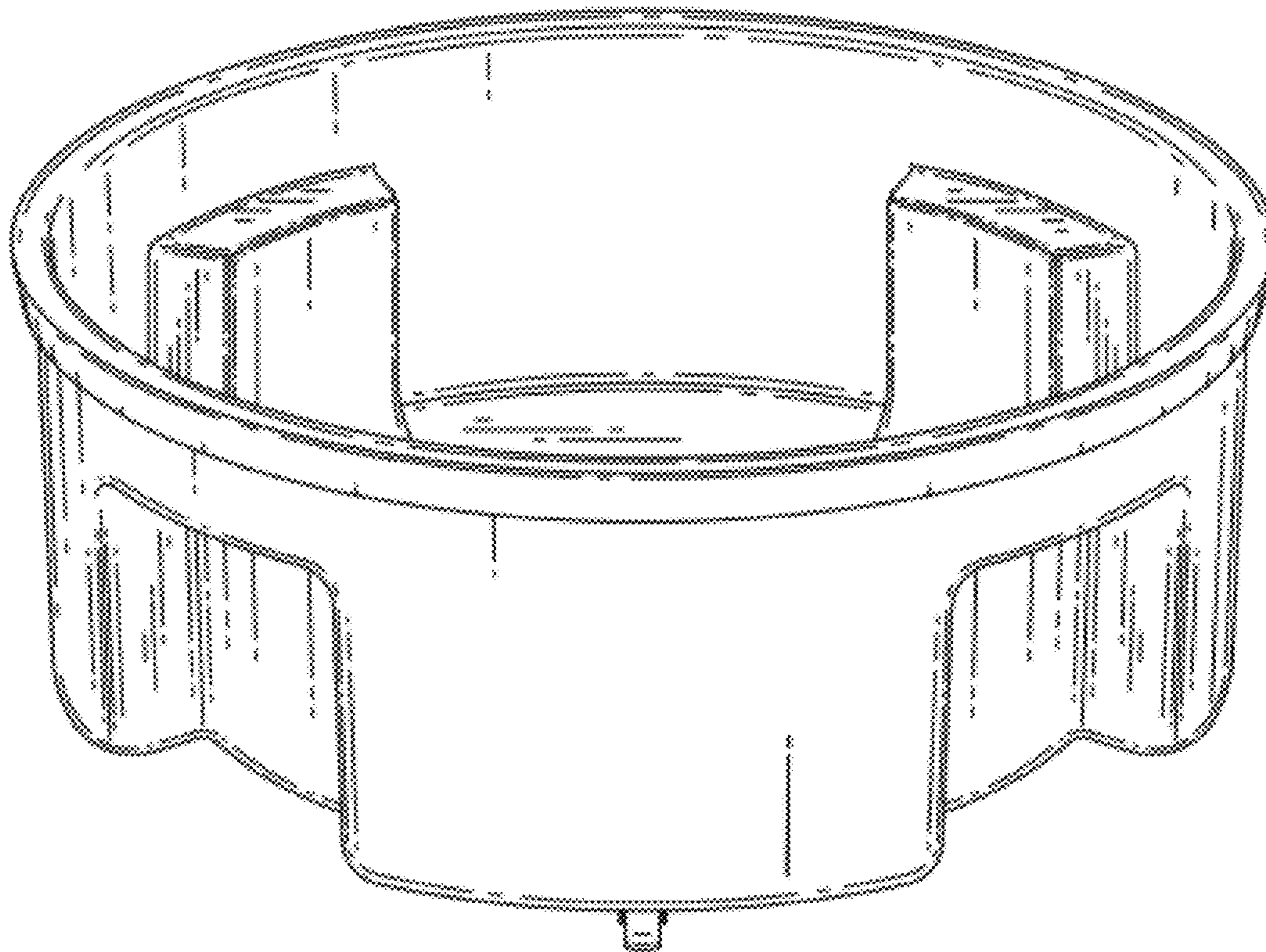


FIG. 1

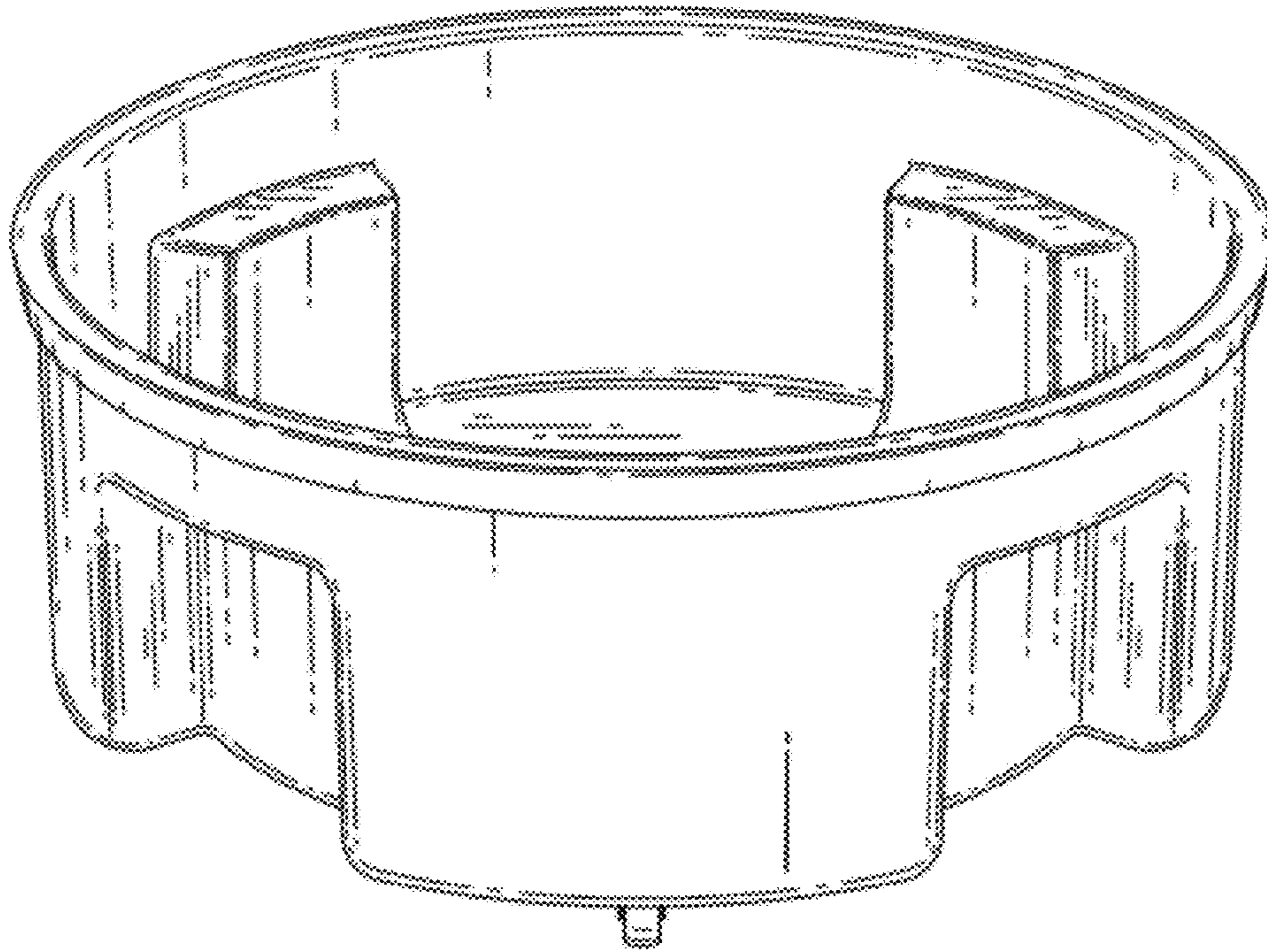


FIG. 2

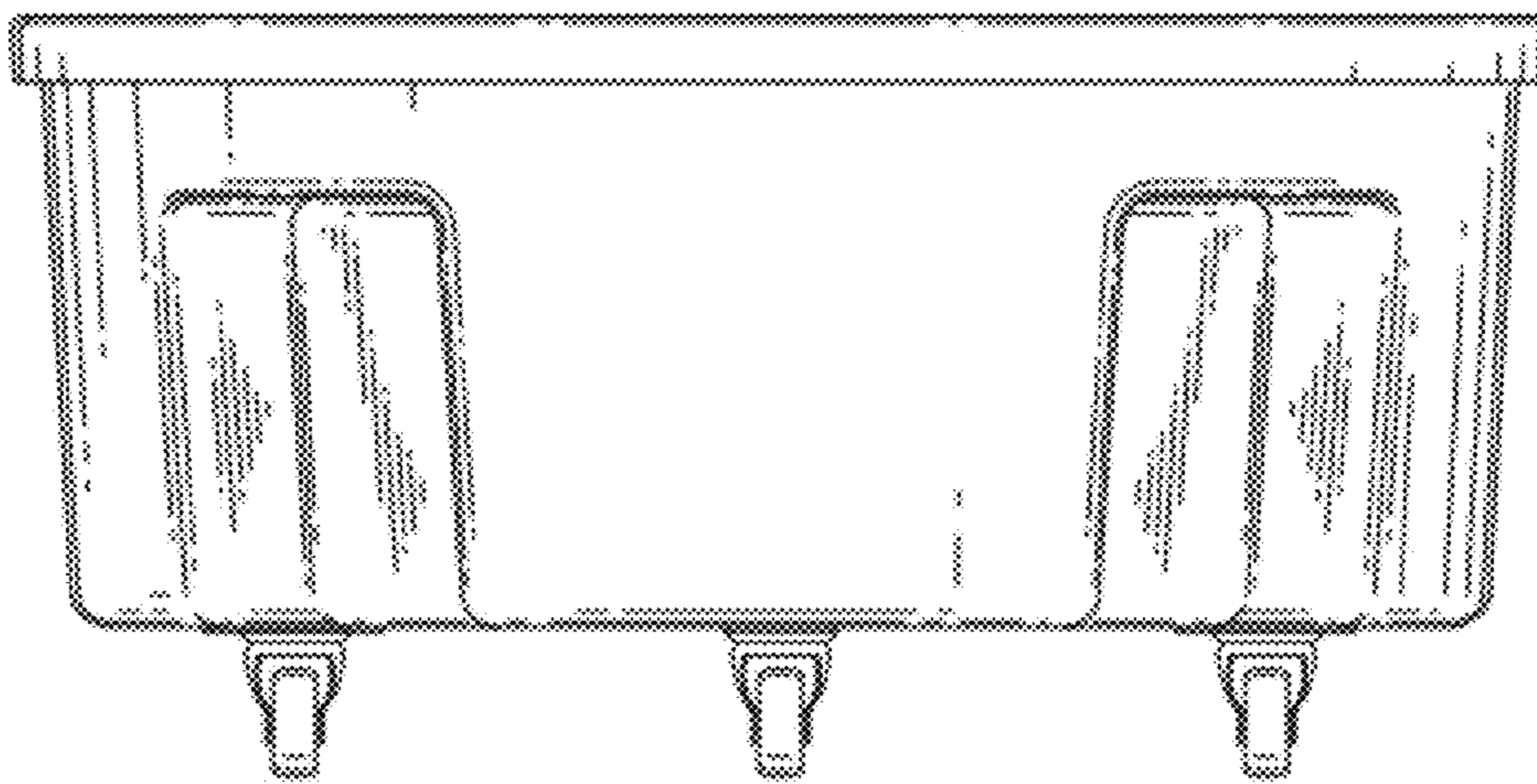


FIG. 3

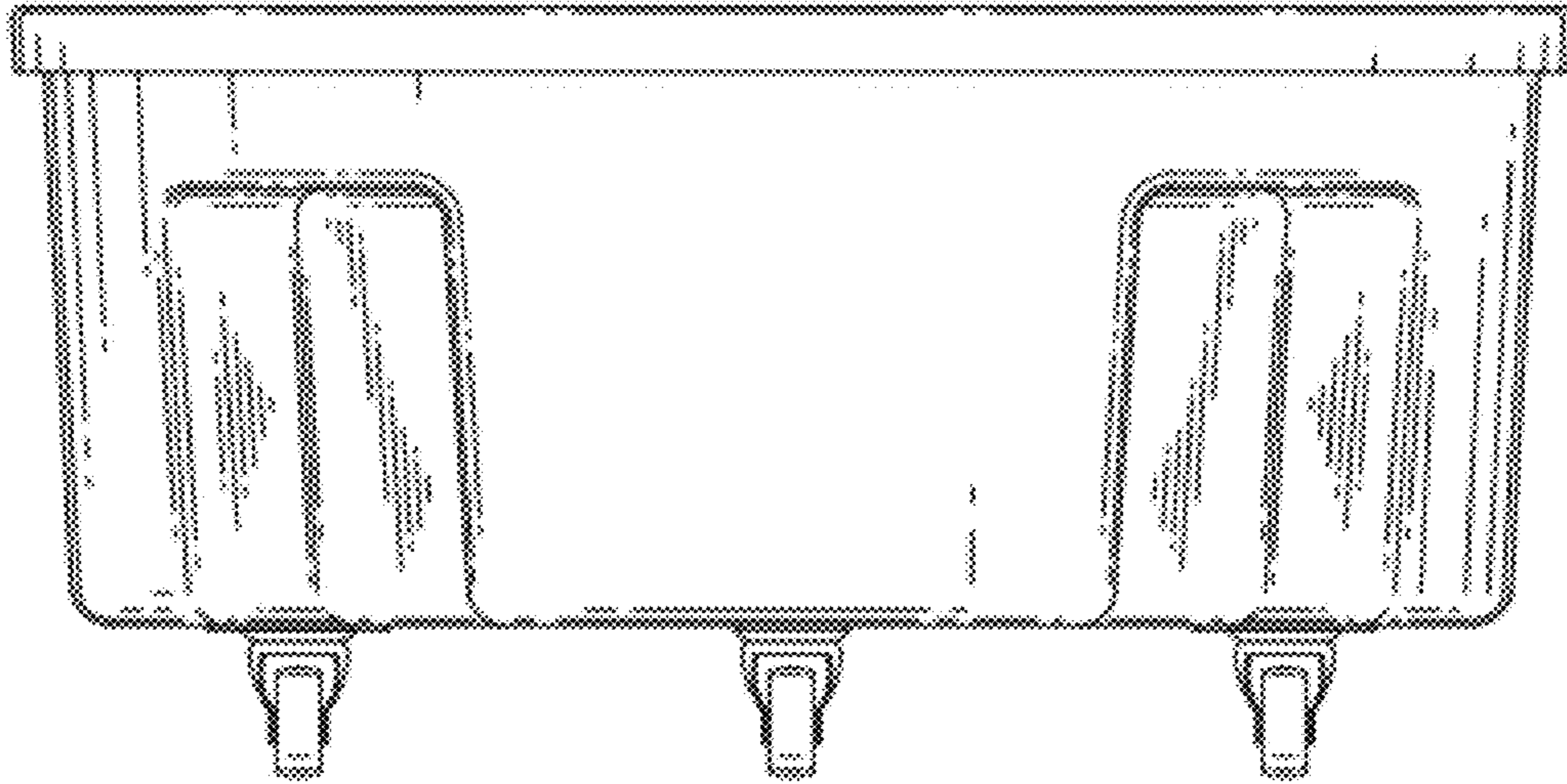


FIG. 4

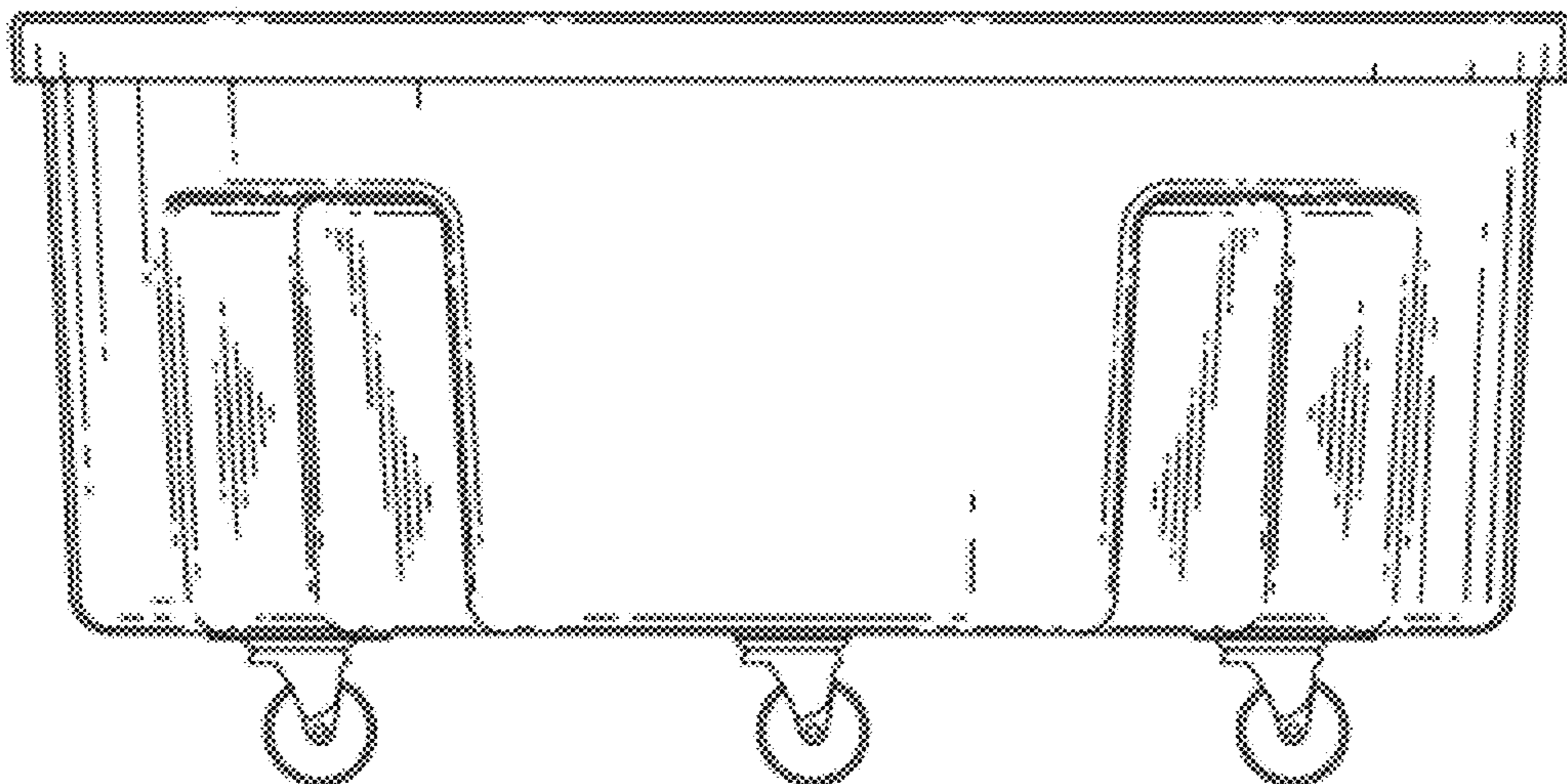


FIG. 5

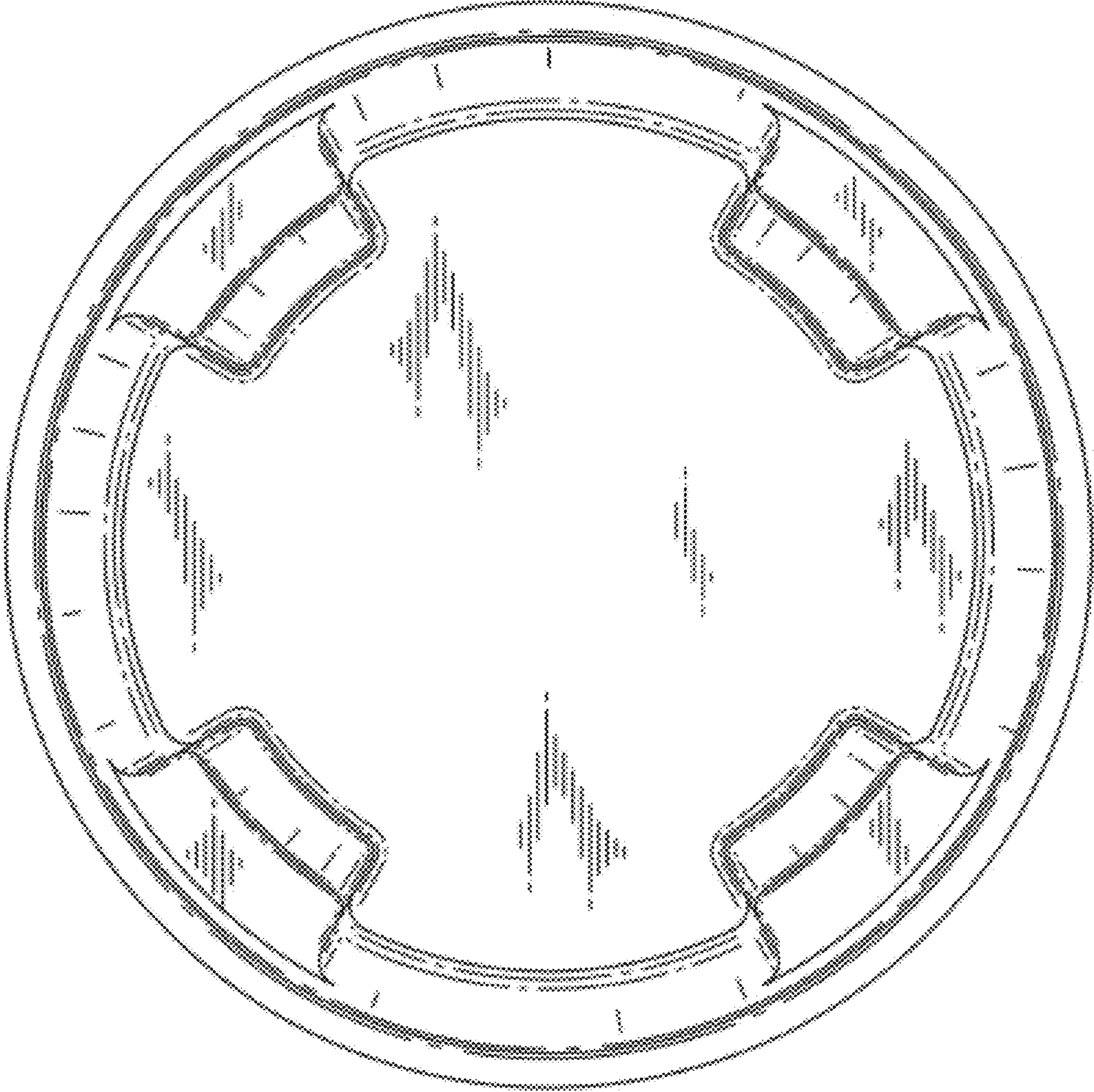


FIG. 6

