



US00D677442S

(12) **United States Design Patent**  
**Dyson et al.**

(10) **Patent No.:** **US D677,442 S**  
(45) **Date of Patent:** **\*\* Mar. 5, 2013**

(54) **PART OF A VACUUM CLEANER**  
(75) Inventors: **James Dyson**, Malmesbury (GB); **Peter David Gammack**, Malmesbury (GB); **Emma Jane Heatley-Adams**, Malmesbury (GB); **Robert Mark Brett Coulton**, Malmesbury (GB); **Adam James Bates**, Malmesbury (GB)

(73) Assignee: **Dyson Limited**, Malmesbury (GB)

(\*\*) Term: **14 Years**

(21) Appl. No.: **29/388,229**

(22) Filed: **Mar. 25, 2011**

(30) **Foreign Application Priority Data**

Sep. 29, 2010 (EM) ..... 001237127-0005

(51) **LOC (9) Cl.** ..... **15-05**

(52) **U.S. Cl.** ..... **D32/31**

(58) **Field of Classification Search** ..... D32/21,  
D32/23-24, 30-31; 15/327.1-327, 7, 328,  
15/340.1, 340.2, 353, 347, 301, 336, 320,  
15/314, 352, 412; 55/447, 337, 345, DIG. 3  
See application file for complete search history.

(56) **References Cited**

**U.S. PATENT DOCUMENTS**

3,776,127	A	12/1973	Muse	
D244,249	S	5/1977	Boswell et al.	
4,094,295	A	6/1978	Boswell et al.	
5,473,979	A	12/1995	Ruben	
D374,371	S	10/1996	Hall McDonald	
D463,948	S	10/2002	Innes	
D471,683	S	3/2003	Dyson et al.	
D481,903	S	11/2003	Hester	
D484,286	S *	12/2003	Dyson et al.	D32/24
D486,348	S	2/2004	Zhu	
D505,761	S *	5/2005	Gammack et al.	D32/21
D518,611	S *	4/2006	Hare	D32/21
D524,091	S	7/2006	Lai	
D550,022	S	9/2007	Amajuwon et al.	
D555,849	S *	11/2007	Choi et al.	D32/21
D556,962	S *	12/2007	Choi et al.	D32/21

D557,469	S *	12/2007	Choi et al.	D32/21
D563,066	S	2/2008	Shevlin	
D566,914	S	4/2008	Dyson et al.	
D574,177	S	8/2008	Hulsey	
D583,117	S	12/2008	Peace et al.	
D587,415	S	2/2009	Dyson et al.	
D588,762	S	3/2009	Dyson et al.	
D594,162	S *	6/2009	Knox et al.	D32/21
D594,608	S	6/2009	Dyson et al.	
D594,609	S *	6/2009	Dyson et al.	D32/21
7,861,705	B2	1/2011	Hulsey	
7,874,040	B2	1/2011	Follows et al.	
D632,037	S	2/2011	Carr et al.	
7,930,799	B2	4/2011	Sutton et al.	
D642,416	S	8/2011	Scott et al.	
2005/0121018	A1	6/2005	Rosen	
2007/0294856	A1	12/2007	Park	
2009/0308373	A1	12/2009	Scott et al.	
2010/0218338	A1	9/2010	McLeod	

(Continued)

**OTHER PUBLICATIONS**

Dyson et al., U.S. Office Action mailed Nov. 21, 2011, directed to U.S. Appl. No. 29/388,228; 6 pages.

(Continued)

*Primary Examiner* — Ruth McInroy

(74) *Attorney, Agent, or Firm* — Morrison & Foerster LLP

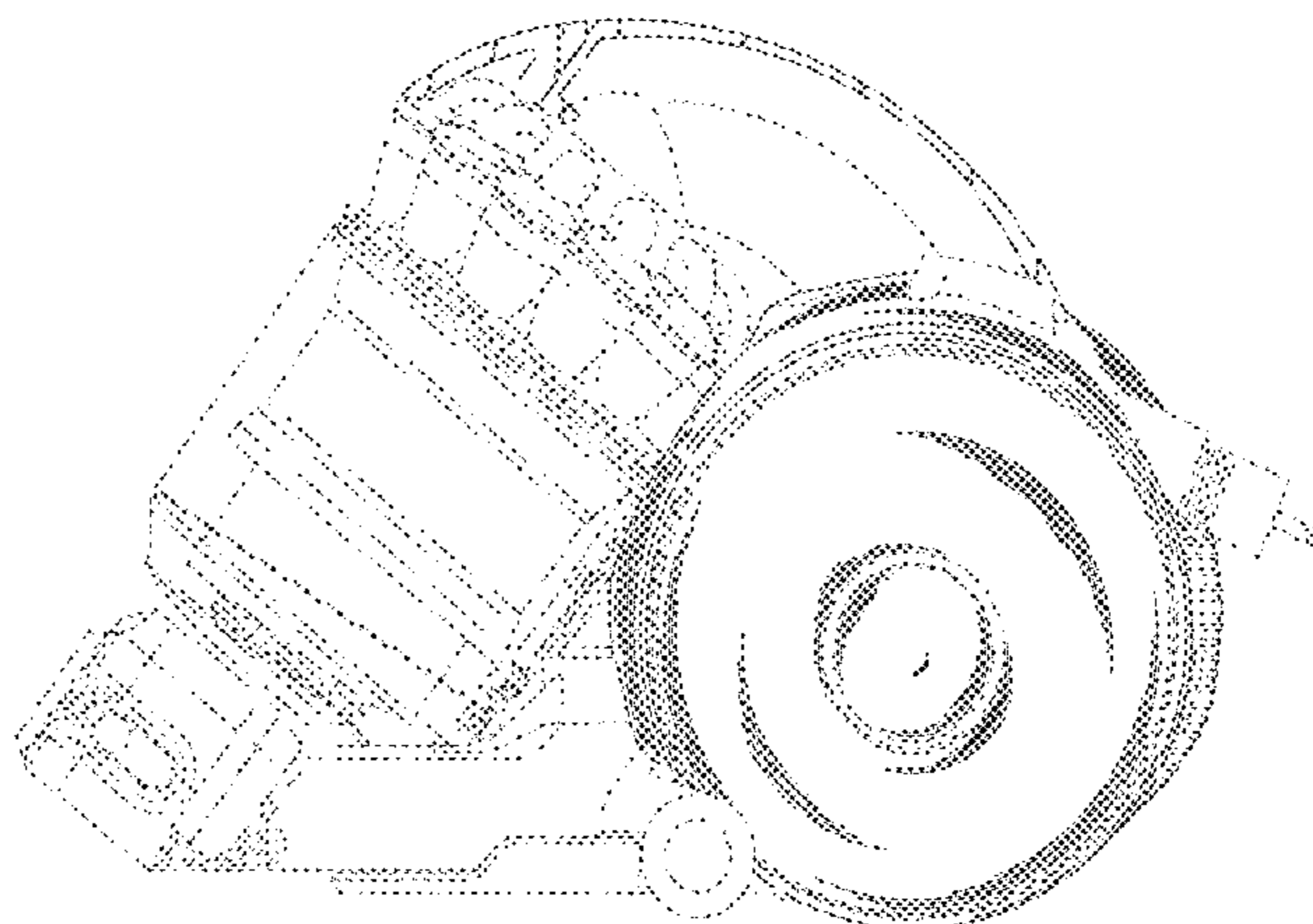
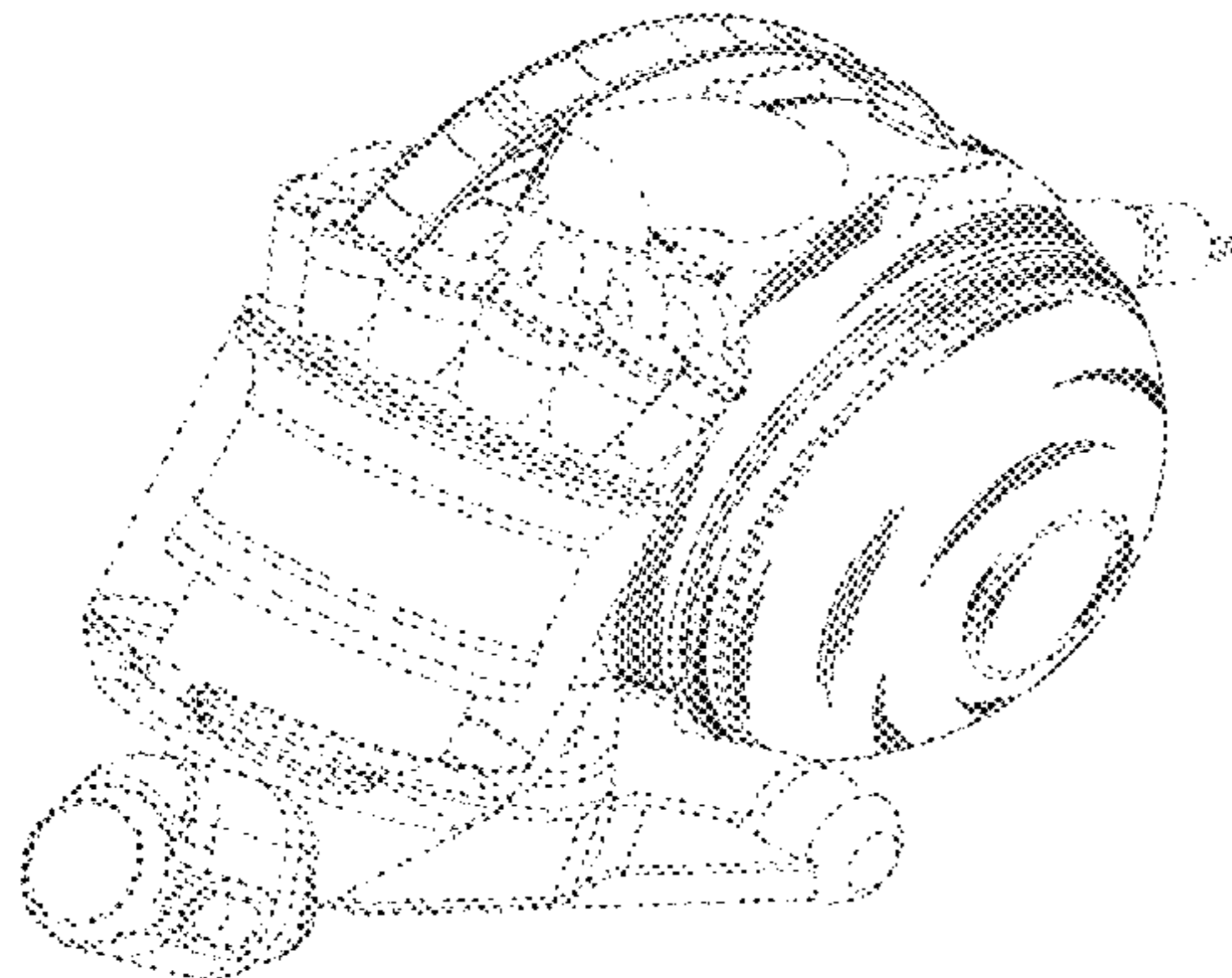
(57) **CLAIM**

We claim the ornamental design for a part of a vacuum cleaner, as shown and described.

**DESCRIPTION**

FIG. 1 is a perspective view of a part of a vacuum cleaner showing our new design;  
FIG. 2 is a front view thereof;  
FIG. 3 is a rear view thereof;  
FIG. 4 is a side view thereof;  
FIG. 5 is a side view from the side opposite that of FIG. 4;  
FIG. 6 is a plan view thereof from above; and,  
FIG. 7 is a plan view thereof from below.  
The details shown in broken lines form no part of the claimed design.

**1 Claim, 7 Drawing Sheets**



# US D677,442 S

Page 2

---

## U.S. PATENT DOCUMENTS

2010/0242208 A1\* 9/2010 Gammack et al. .... 15/327.1  
2010/0242219 A1 9/2010 Dyson et al.  
2010/0242220 A1\* 9/2010 Dyson et al. .... 15/347  
2010/0242221 A1 9/2010 Horne et al.

## OTHER PUBLICATIONS

Dyson et al., U.S. Office Action mailed Nov. 22, 2011, directed to U.S. Appl. No. 29/388,247; 6 pages.

Dyson et al., U.S. Office Action mailed Nov. 23, 2011, directed to U.S. Appl. No. 29/388,341; 6 pages.

Dyson et al., U.S. Office Action mailed Nov. 23, 2011, directed to U.S. Appl. No. 29/388,226; 6 pages.

Dyson et al., U.S. Office Action mailed Nov. 23, 2011, directed to U.S. Appl. No. 29/388,242; 8 pages.

\* cited by examiner

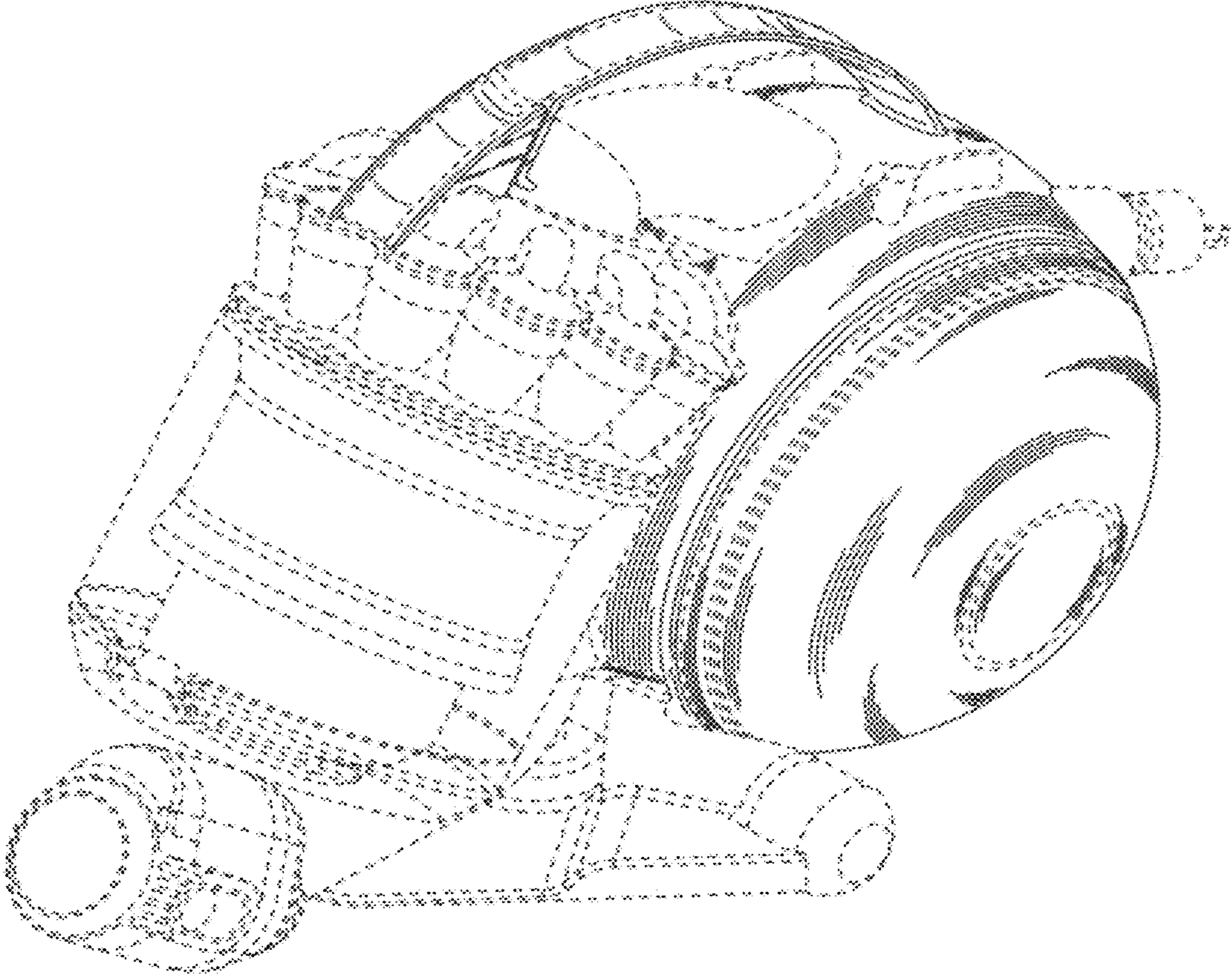


FIG. 1

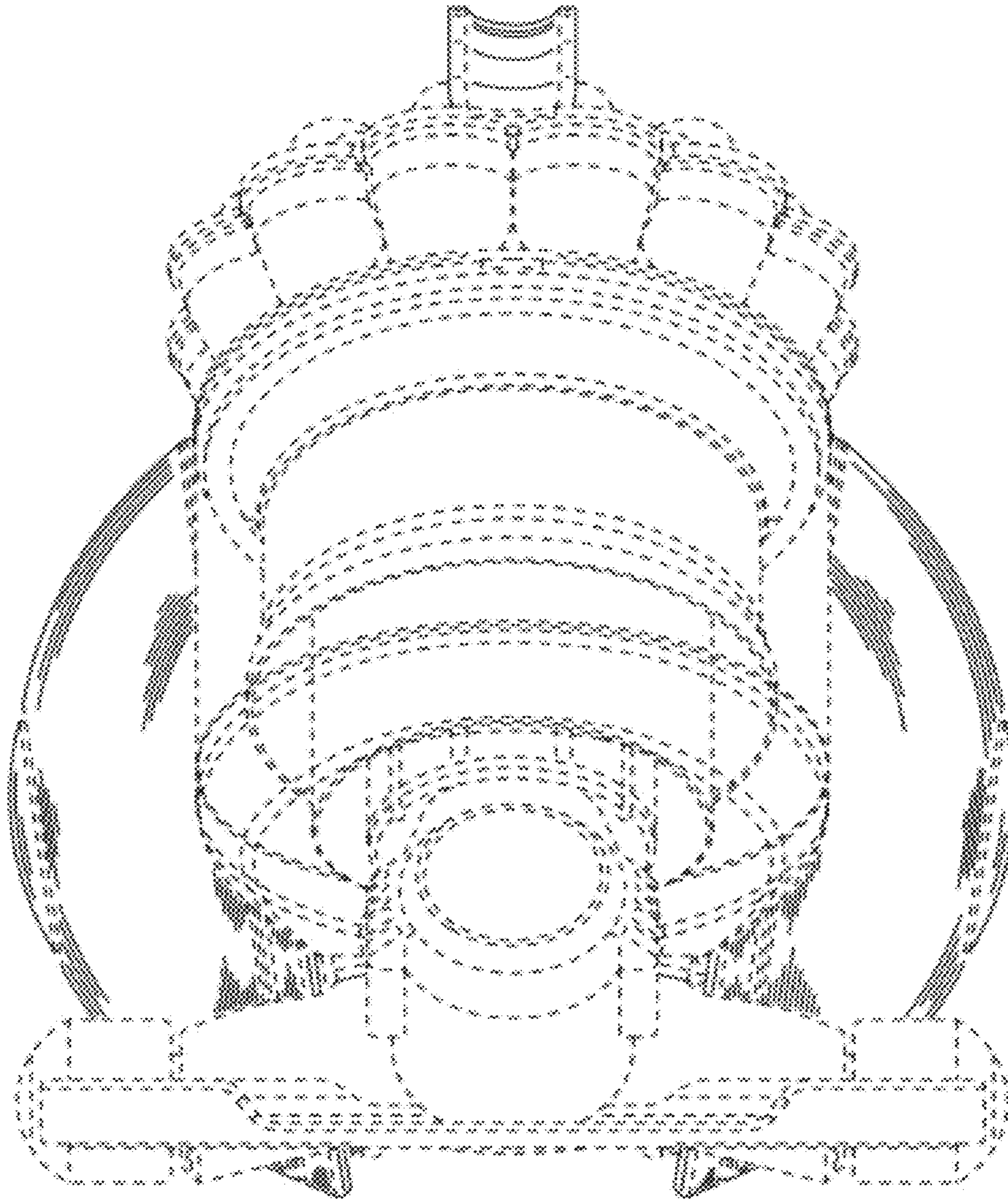


FIG. 2

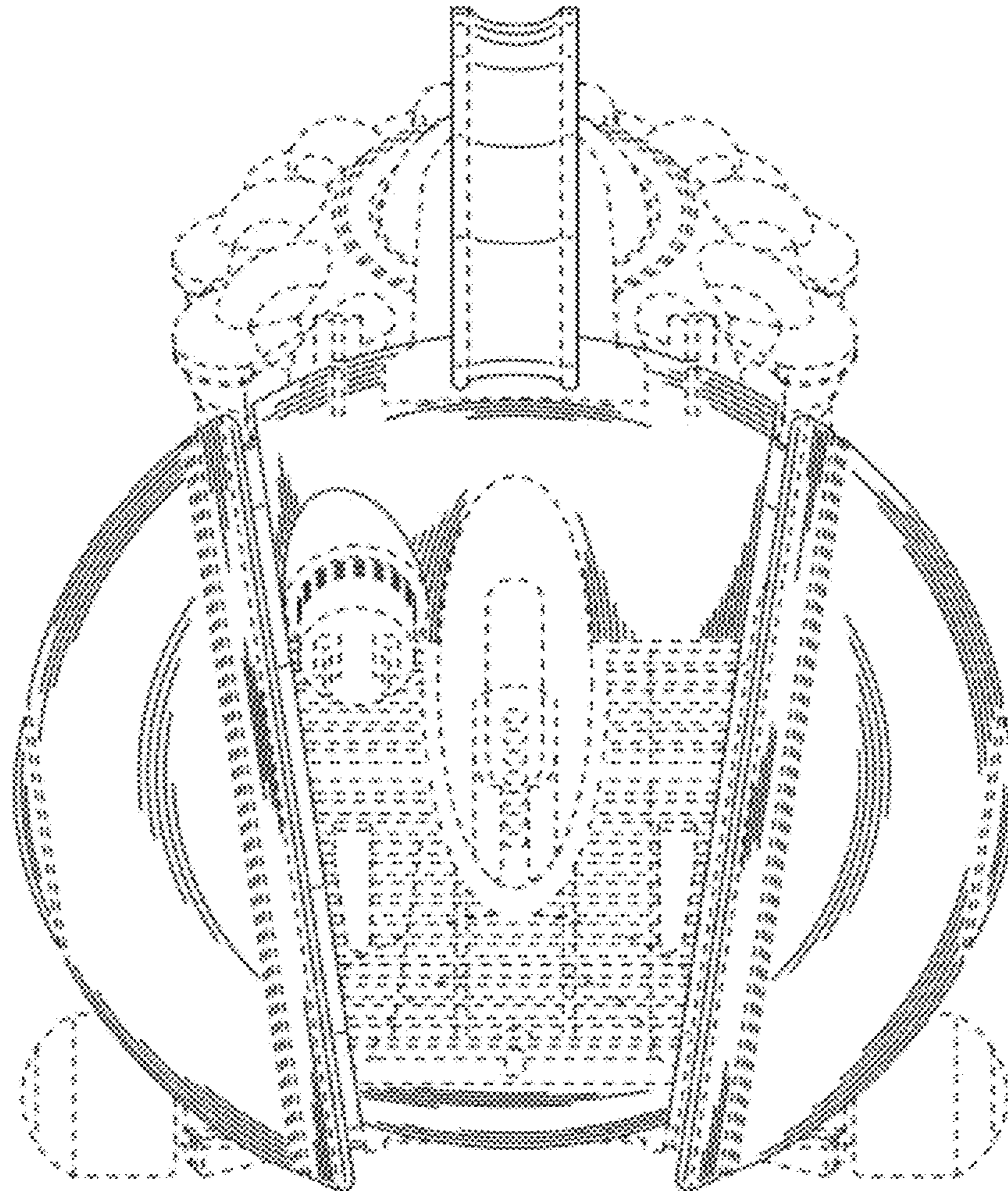
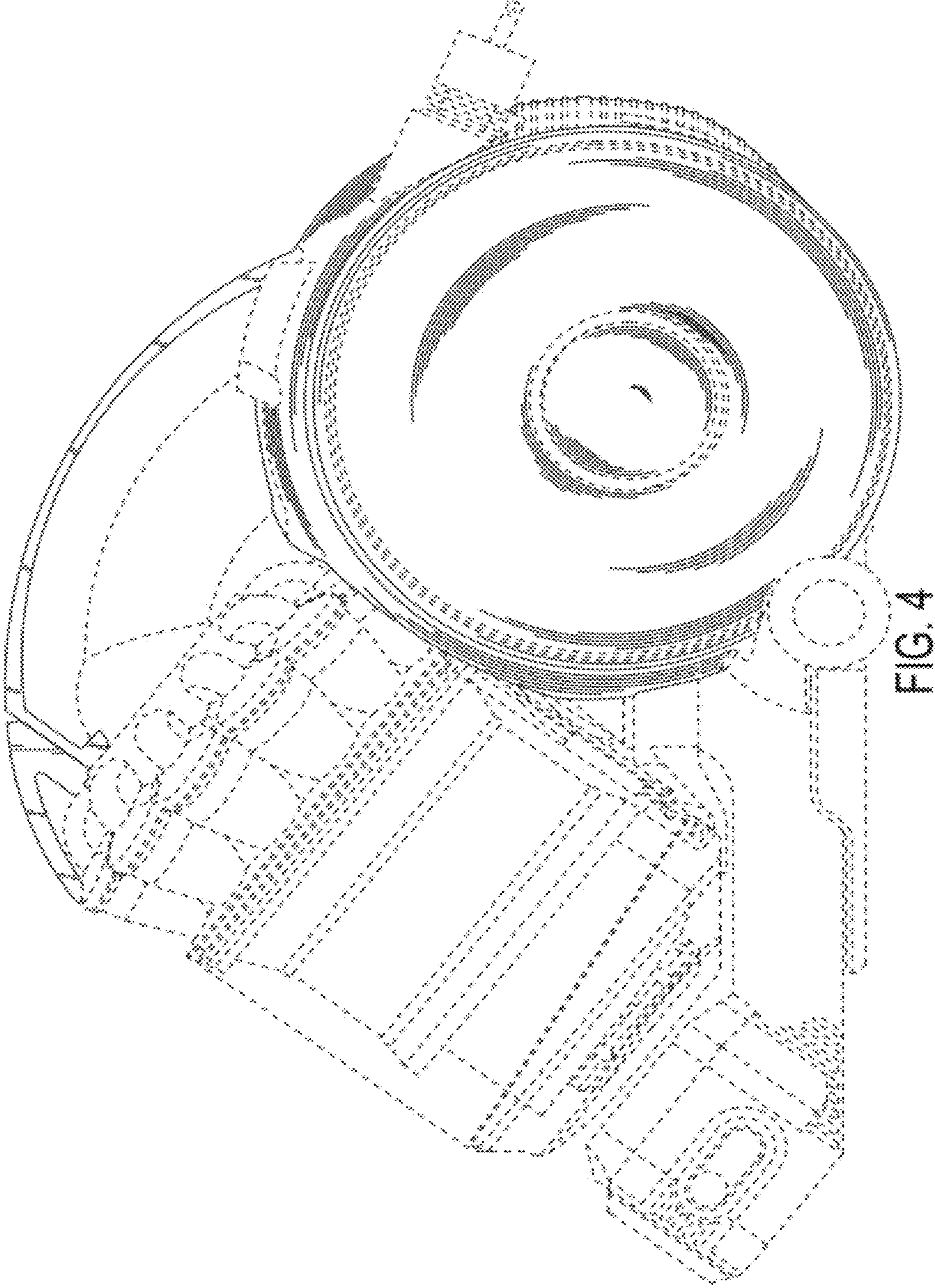


FIG. 3



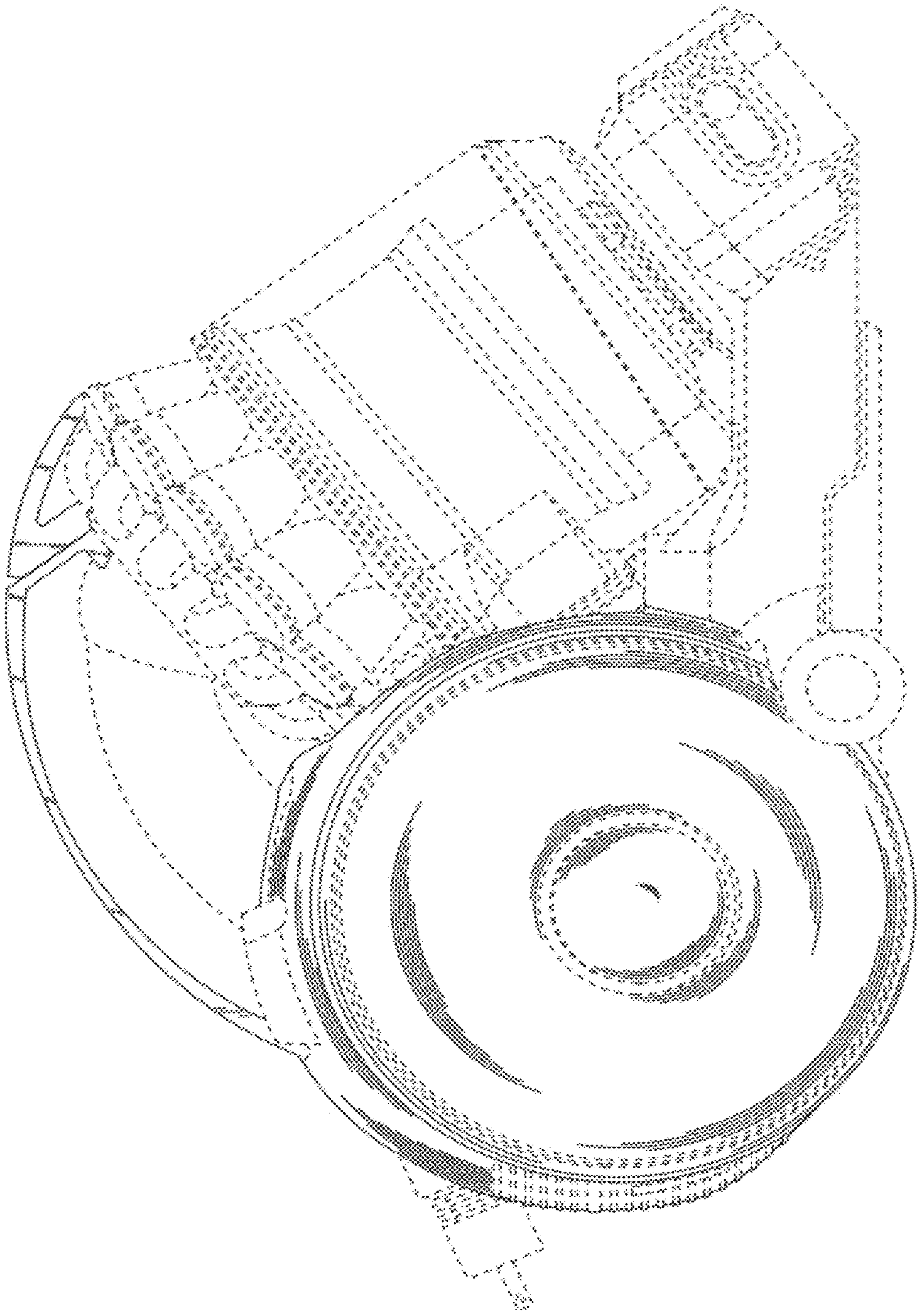


FIG. 5

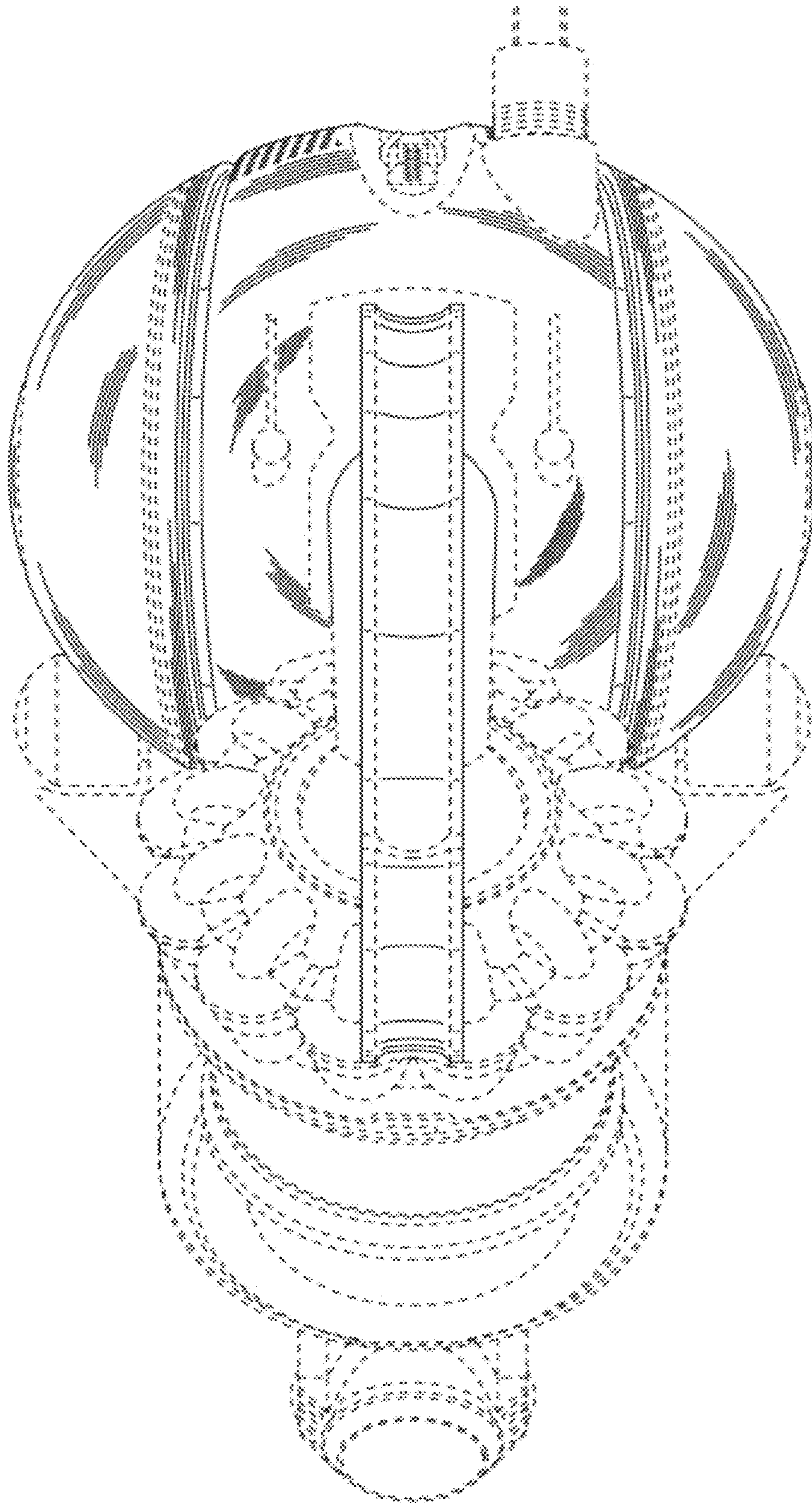


FIG. 6



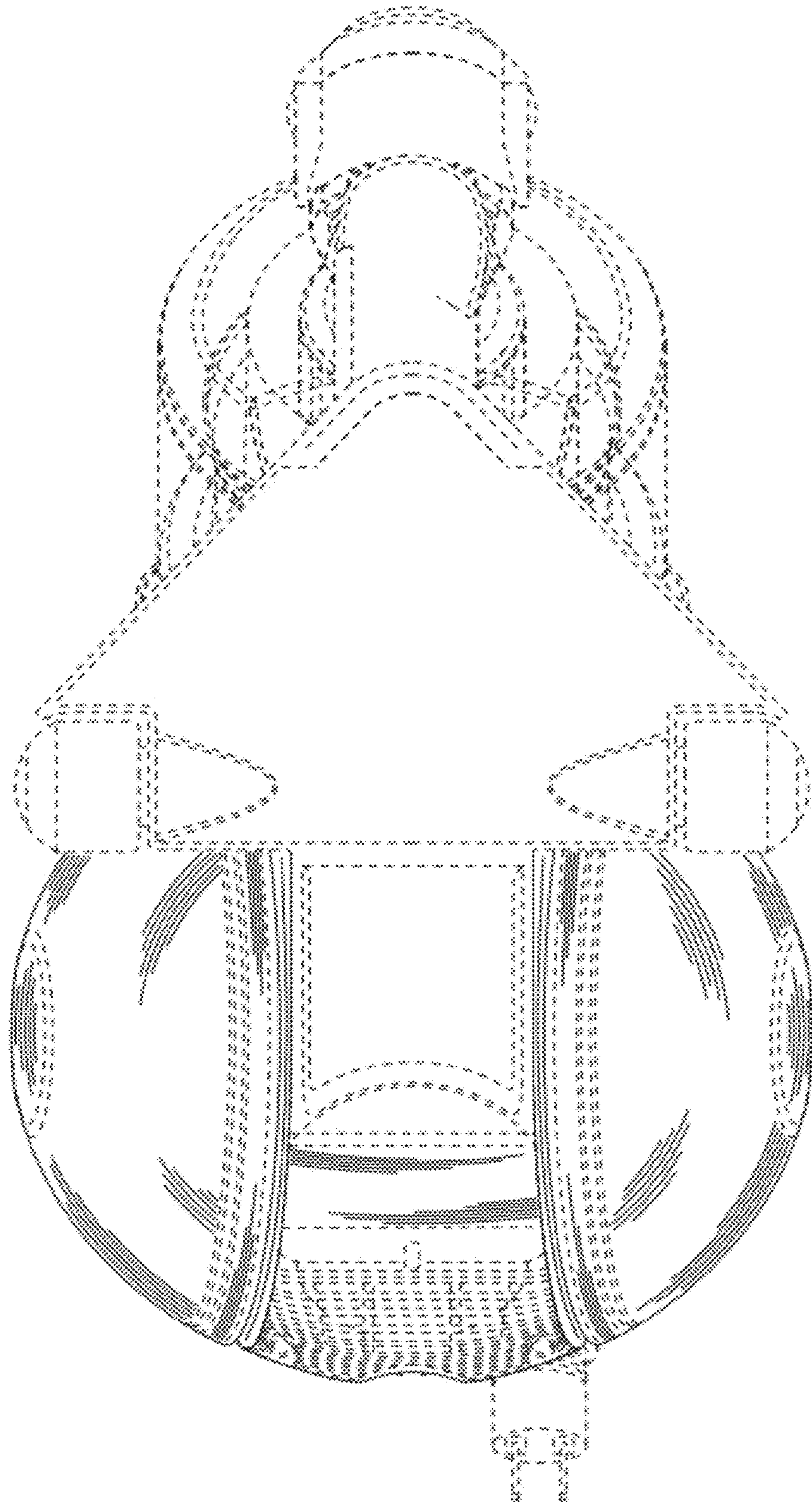


FIG. 7