



US00D677437S

(12) **United States Design Patent**
Dunston

(10) **Patent No.:** **US D677,437 S**
(45) **Date of Patent:** **** Mar. 5, 2013**

- (54) **ANIMAL EAR COVERING**
- (76) Inventor: **Shelly I. Dunston**, Riverside, CA (US)
- (**) Term: **14 Years**
- (21) Appl. No.: **29/416,290**
- (22) Filed: **Mar. 20, 2012**
- (51) **LOC (9) Cl.** **30-01**
- (52) **U.S. Cl.** **D30/144; D30/145**
- (58) **Field of Classification Search** D30/144,
D30/145, 146, 151, 152, 199; 54/79.1-79.4,
54/80.1, 80.4, 80.5; 2/171.02, 209; D2/706,
D2/707, 708, 869, 739, 741; 119/712, 814,
119/815, 850; 132/273, 274, 275; 450/70,
450/84, 39

See application file for complete search history.

(56) **References Cited**

U.S. PATENT DOCUMENTS

D41,745	S	*	9/1911	Orioli et al.	D30/145
1,945,110	A	*	1/1934	Gordon	2/209
2,136,115	A	*	11/1938	McCaleb	54/80.1
2,319,656	A	*	5/1943	Berg	132/274
2,388,757	A	*	11/1945	Miller	450/84
2,693,599	A	*	11/1954	Berg	2/209
2,899,683	A	*	8/1959	Gabrial	2/209
D204,973	S	*	6/1966	Wadsworth et al.	D2/869
3,478,739	A	*	11/1969	Librande	128/846
4,233,942	A	*	11/1980	Williams	119/814
4,964,264	A		10/1990	Adams		
D329,321	S	*	9/1992	Ringwood	D2/741
5,163,272	A		11/1992	Finley et al.		

5,540,189	A	*	7/1996	Masson	119/850
D404,851	S		1/1999	Braun		
D417,315	S		11/1999	Lowry		
6,128,891	A	*	10/2000	McMahon	54/80.1
6,216,642	B1	*	4/2001	Hung	119/850
6,786,028	B1	*	9/2004	Longtin	54/79.2
6,842,911	B2	*	1/2005	Yeh	2/171.02
6,857,395	B2	*	2/2005	Williams	119/712
7,743,736	B2	*	6/2010	Winestock	119/815
2007/0062462	A1	*	3/2007	McGuire	119/850

* cited by examiner

Primary Examiner — Caron D Veynar
Assistant Examiner — Martie K Holtje

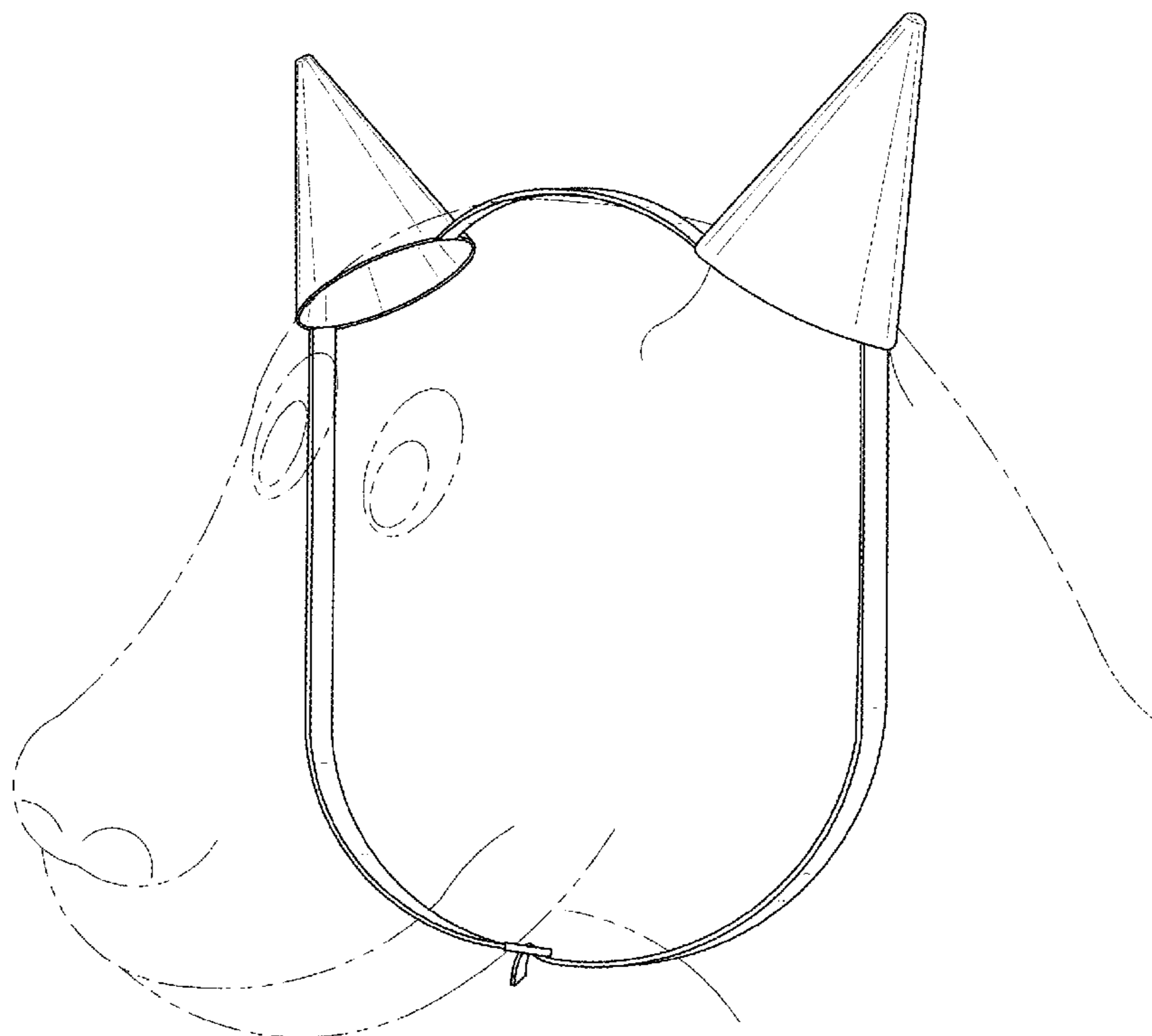
(57) **CLAIM**

The ornamental design for an animal ear covering, as shown and described.

DESCRIPTION

FIG. 1 is a front elevation view of an animal ear covering showing my new design, the opposite side being a mirror image of the shown;
 FIG. 2 is a left side elevation view thereof;
 FIG. 3 is a right side elevation view thereof;
 FIG. 4 is a top plan view thereof;
 FIG. 5 is a bottom plan view thereof;
 FIG. 6 is a left, front perspective view thereof; and,
 FIG. 7 is a right front perspective view thereof.
 The broken lines in FIG. 7 of the drawings depict environmental subject matter only and form no part of the claimed design.

1 Claim, 5 Drawing Sheets



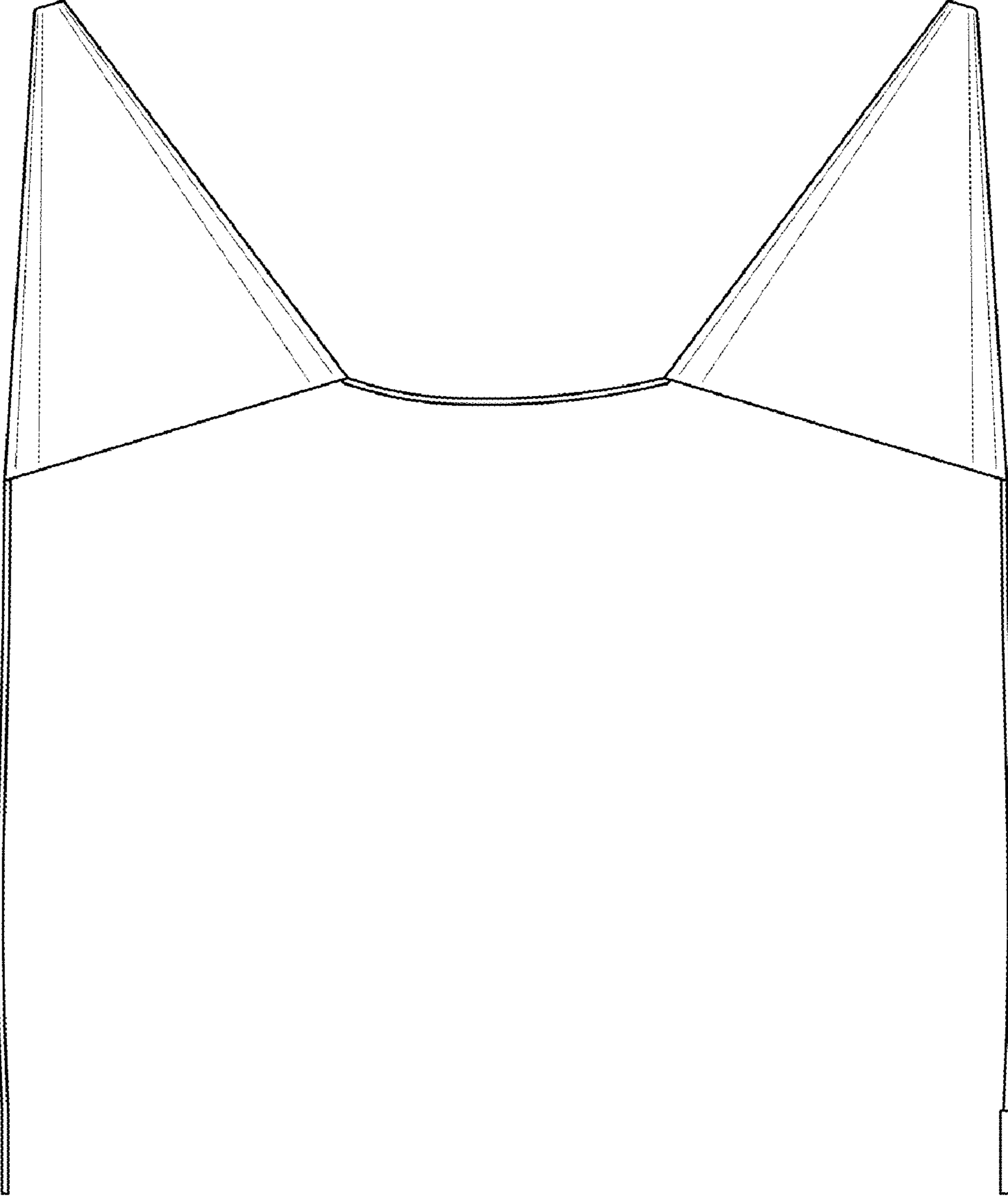


FIG. 1

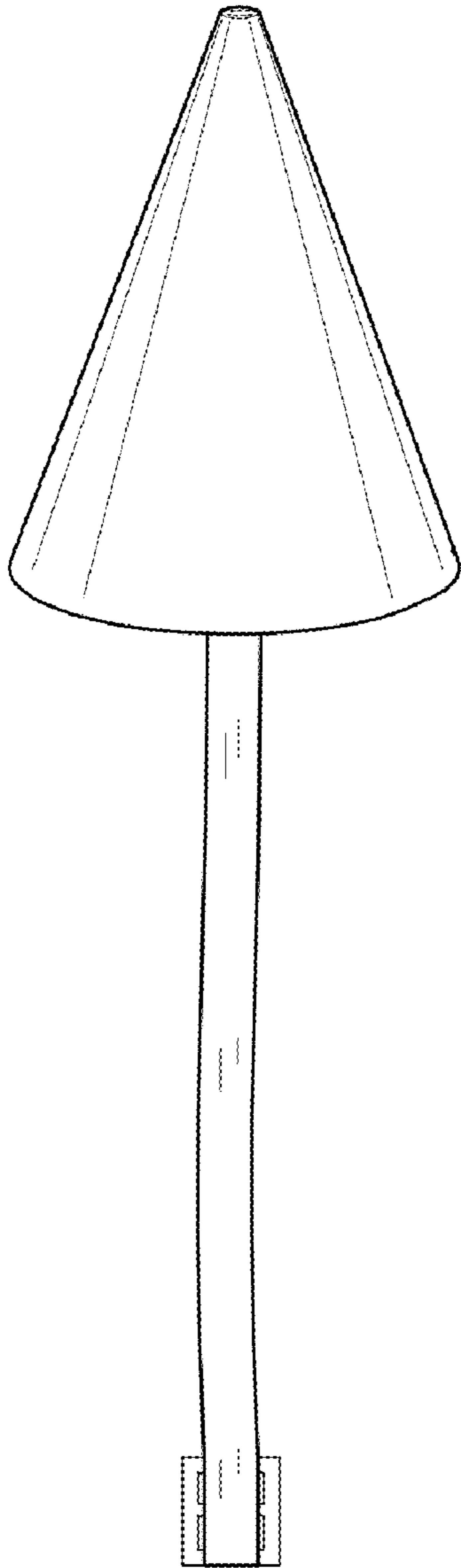


FIG. 2

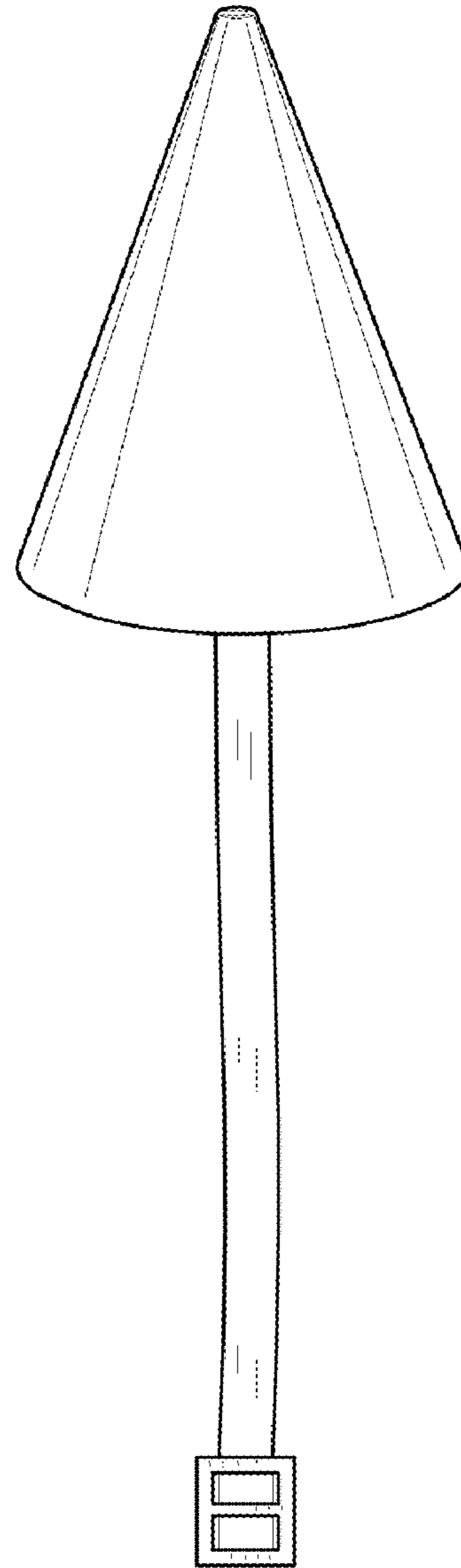


FIG. 3

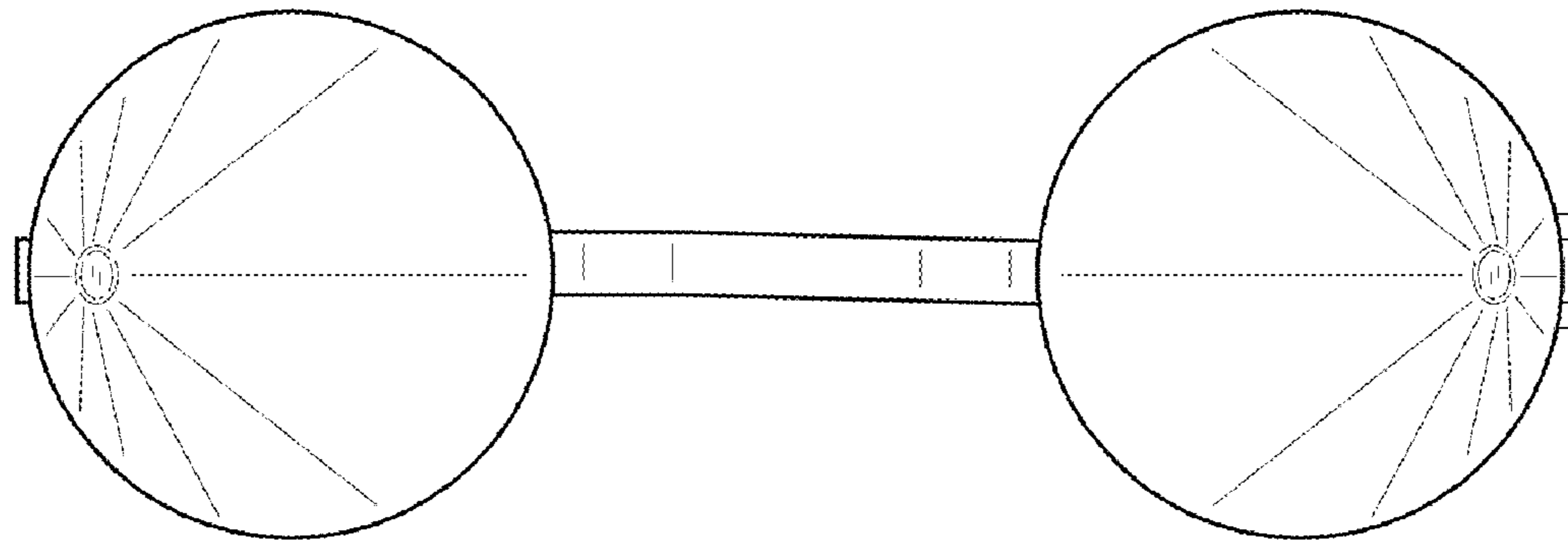


FIG. 4

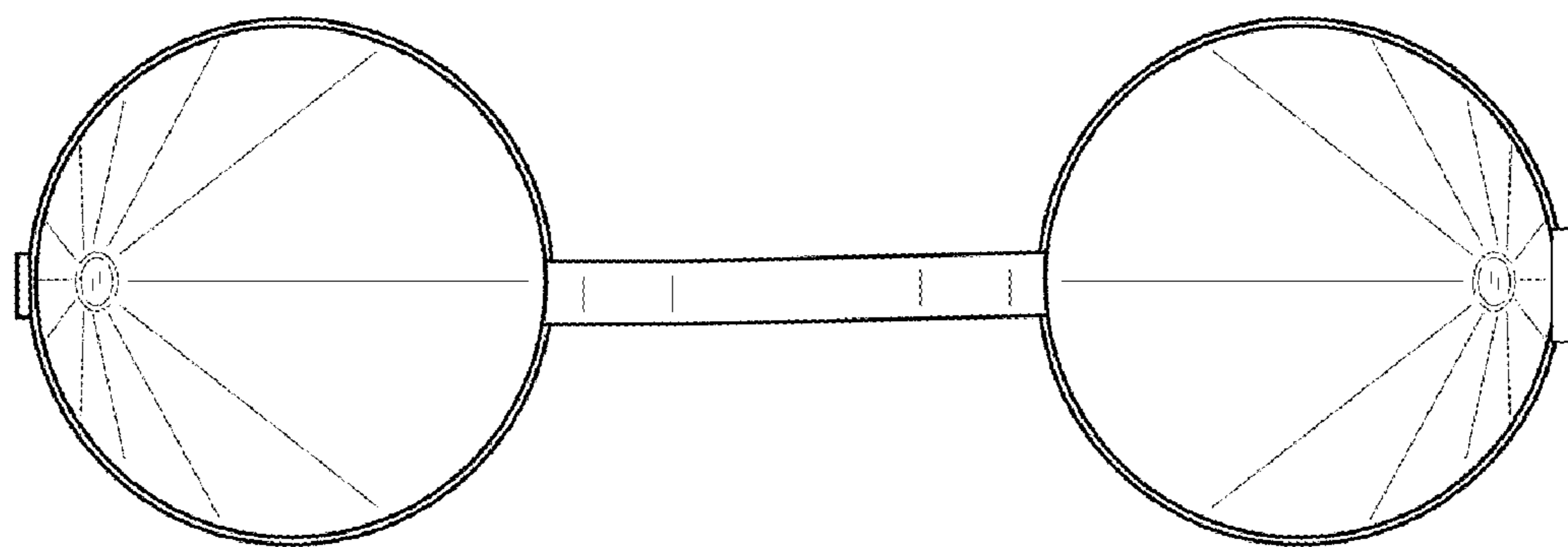


FIG. 5

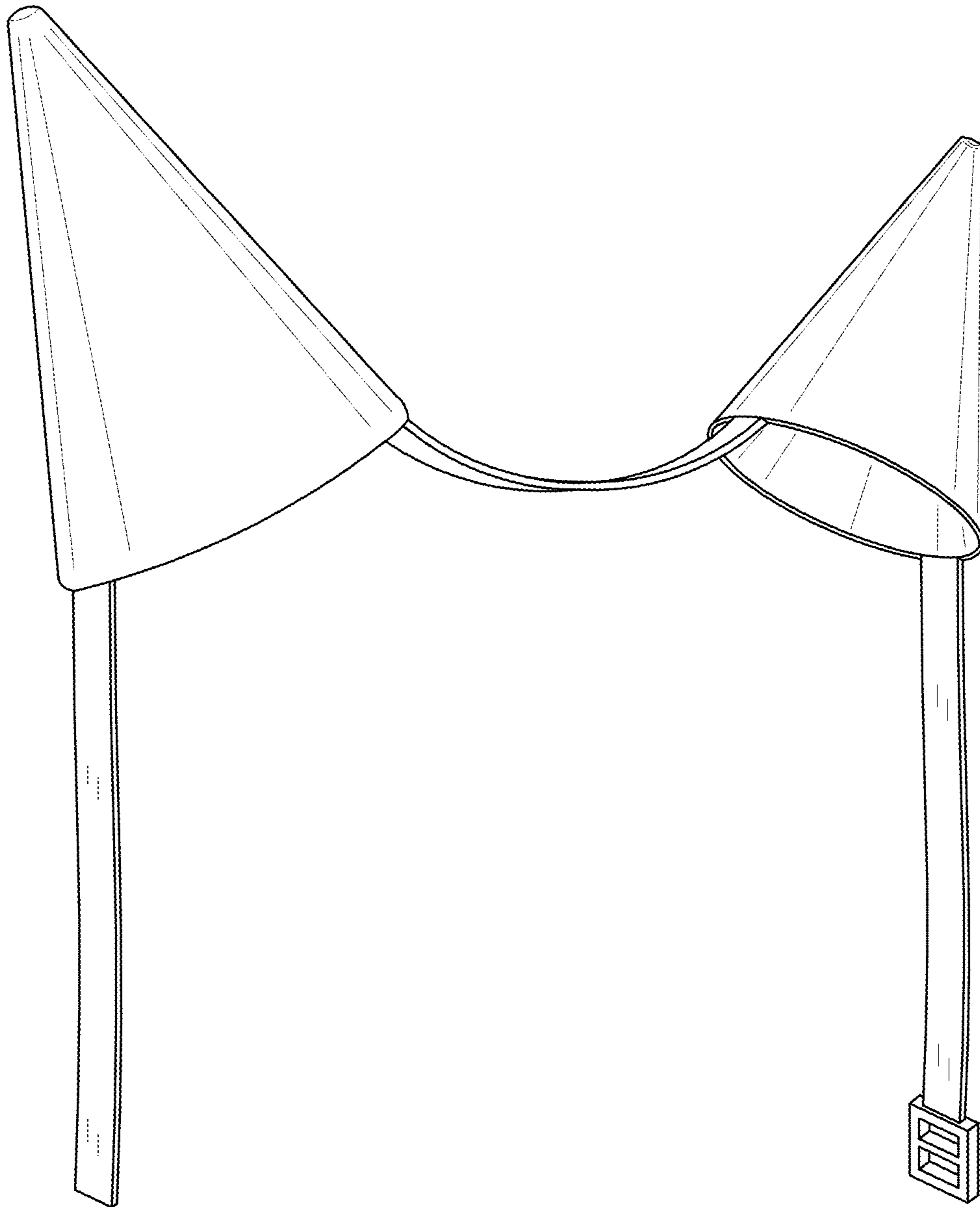


FIG. 6

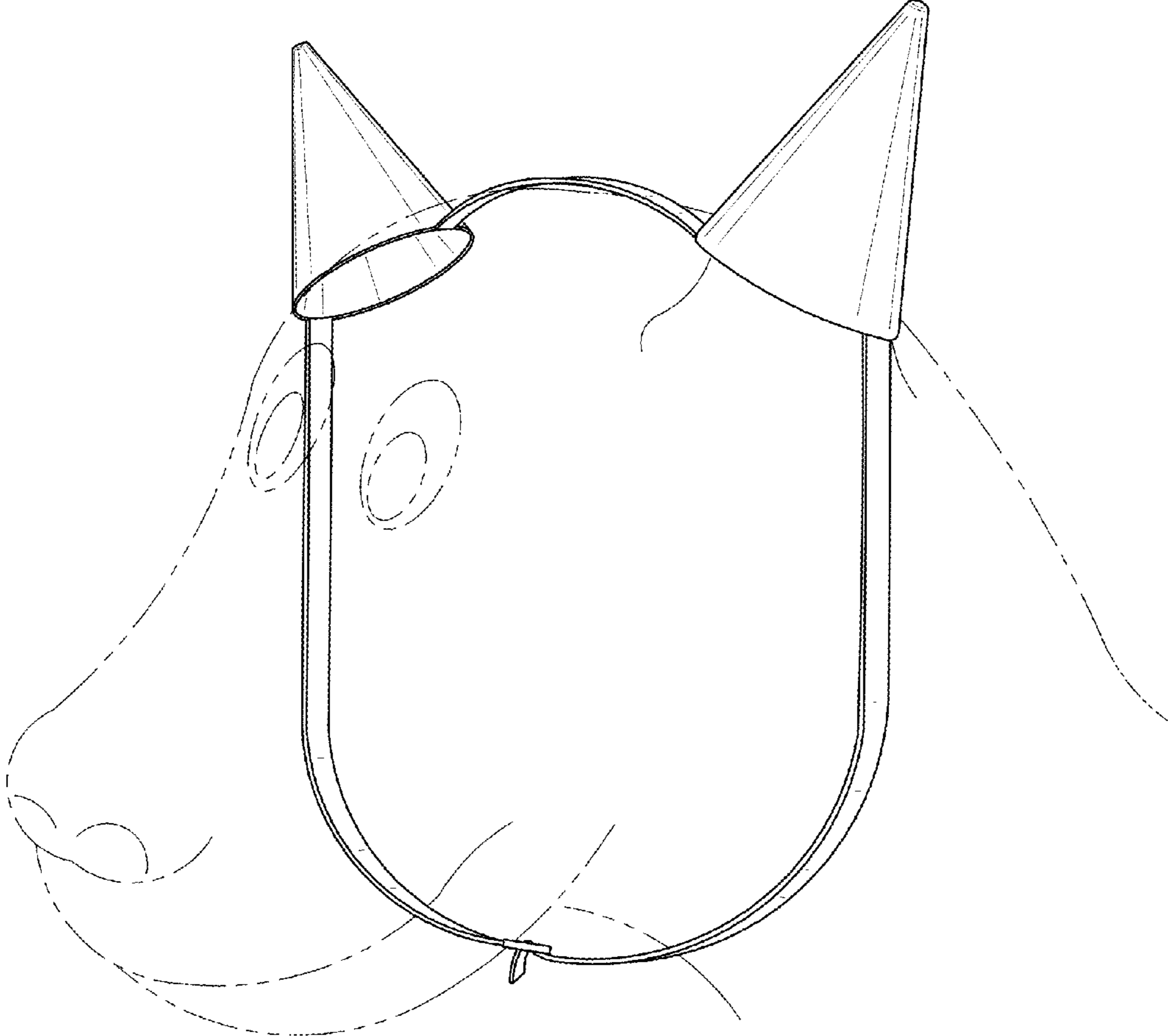


FIG. 7