



US00D677436S

(12) **United States Design Patent**  
**Juhlin et al.**

(10) **Patent No.:** **US D677,436 S**  
(45) **Date of Patent:** **\*\* Mar. 5, 2013**

(54) **WELDING HELMET FEATURE CONTOUR**

(75) Inventors: **Oskar Juhlin**, Gustavsberg (SE);  
**Martin Birath**, Lidingö (SE); **Björn Daniels**, Vikarbyn (SE)

(73) Assignee: **3M Innovative Properties Company**,  
St. Paul, MN (US)

(\*\*) Term: **14 Years**

(21) Appl. No.: **29/428,100**

(22) Filed: **Jul. 26, 2012**

**Related U.S. Application Data**

(62) Division of application No. 29/368,909, filed on Aug. 31, 2010, now Pat. No. Des. 666,778.

(30) **Foreign Application Priority Data**

Mar. 10, 2010 (EM) ..... 1200901-0001

(51) **LOC (9) Cl.** ..... **29-02**

(52) **U.S. Cl.** ..... **D29/122**

(58) **Field of Classification Search** ..... D29/100,  
D29/102, 104, 105, 106, 107, 108, 109, 110,  
D29/111, 122; D2/878, 879, 882; D24/110.1,  
D24/110.2, 110.3; 2/455, 410, 8.1-8.4, 8.7,  
2/9, 422-425, 15, 6.3, 6.5, 6.7, 7, 206, 417-419,  
2/171, 205, 431, 432; 128/206.12, 206.13,  
128/206.28, 206.24, 857

See application file for complete search history.

(56) **References Cited**

**U.S. PATENT DOCUMENTS**

3,594,816 A 7/1971 Webb  
D250,067 S 10/1978 Land, Jr.  
4,495,657 A 1/1985 Bay  
D297,179 S 8/1988 Seehaus et al.  
5,131,101 A 7/1992 Chin  
D331,129 S 11/1992 Heinrich  
D341,230 S \* 11/1993 Kamata ..... D29/107  
D356,188 S 3/1995 Kittelsen  
D365,666 S 12/1995 Gump

5,970,514 A 10/1999 Wang-Lee  
D418,255 S 12/1999 Hohdorf  
D420,468 S 2/2000 Egger  
6,038,705 A 3/2000 Jarvis  
D445,546 S 7/2001 Gafforio  
D475,815 S 6/2003 Kalhok  
D482,502 S 11/2003 Huh  
D492,820 S 7/2004 Fournier  
D497,223 S 10/2004 Kalhok  
D517,744 S 3/2006 Lee  
D524,992 S 7/2006 Belin  
D526,097 S 8/2006 Lilenthal  
D526,745 S 8/2006 Hohdorf  
D532,163 S 11/2006 Curran

(Continued)

**FOREIGN PATENT DOCUMENTS**

CA 125936 1/2009  
CA 125938 1/2009

(Continued)

**OTHER PUBLICATIONS**

Juhlin, et al., 3M Speedglas 9100 iF International Forum Design GmbH, © 2009, Verlag, ISBN: 978-3-7643-8981-9.

(Continued)

*Primary Examiner* — Elizabeth J Oswecki

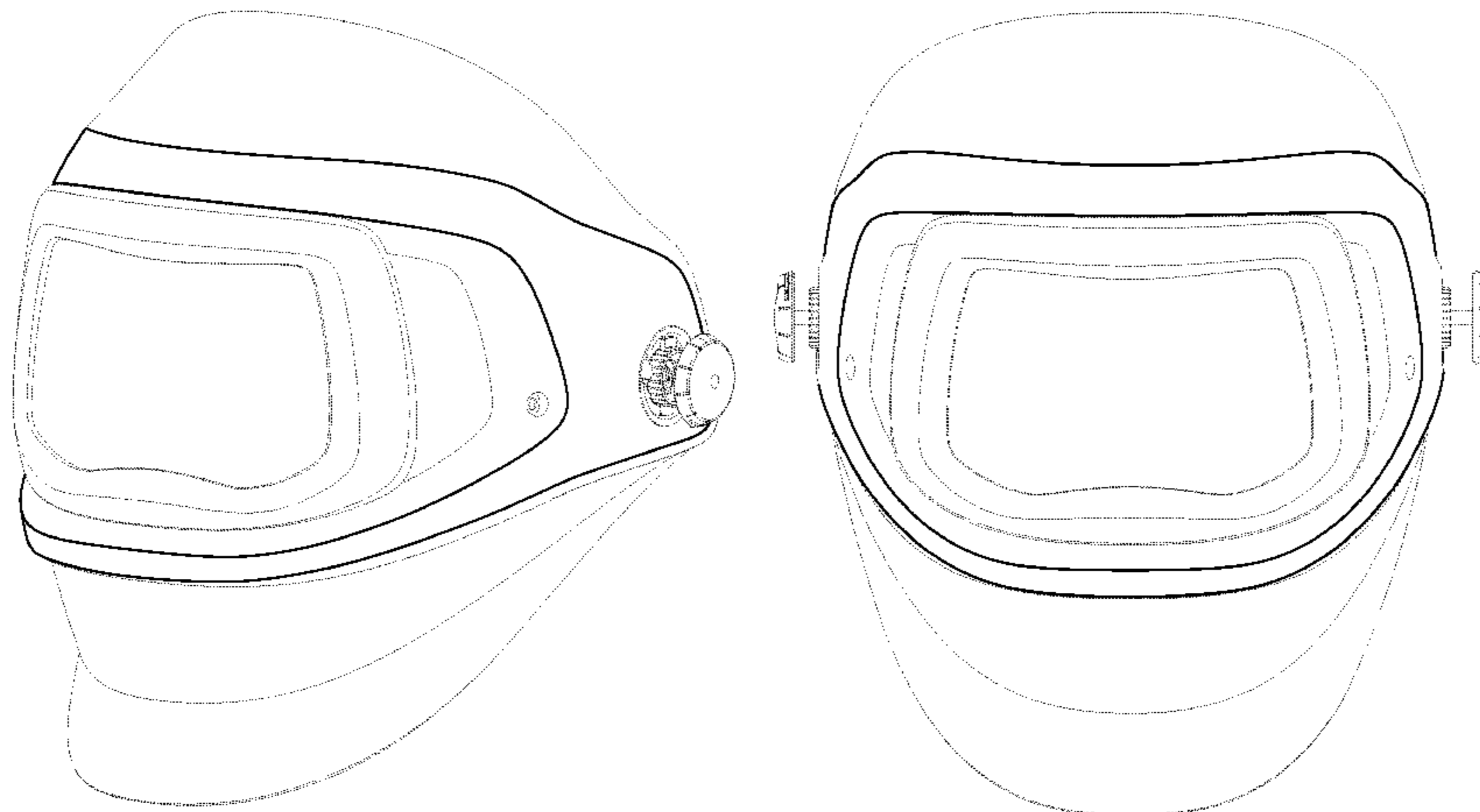
(57) **CLAIM**

The ornamental design for a welding helmet feature contour, as shown and described.

**DESCRIPTION**

FIG. 1 is a perspective view of a welding helmet feature contour showing our new design;  
FIG. 2 is a right side view thereof, the left side view being a mirror image thereof;  
FIG. 3 is a front view thereof;  
FIG. 4 is a rear view thereof;  
FIG. 5 is a top view thereof; and,  
FIG. 6 is a bottom view thereof.  
The broken lines shown in the drawings represent portions of the welding helmet feature contour that form no part of the claimed design.

**1 Claim, 5 Drawing Sheets**



# US D677,436 S

Page 2

## U.S. PATENT DOCUMENTS

D539,988 S 4/2007 Crafoord  
D540,989 S \* 4/2007 Huh ..... D29/110  
D540,990 S \* 4/2007 Huh ..... D29/110  
D565,800 S 4/2008 Wang  
D567,451 S 4/2008 Dion  
D574,558 S 8/2008 Morency  
D583,107 S 12/2008 Morency  
D584,003 S 12/2008 Juhlin  
D584,005 S 12/2008 Morency  
D584,006 S 12/2008 Juhlin  
D584,007 S 12/2008 Juhlin  
D584,008 S 12/2008 Juhlin  
D584,009 S 12/2008 Juhlin  
D585,160 S 1/2009 Juhlin  
D590,547 S 4/2009 Brace  
D590,548 S 4/2009 Johnson  
D592,811 S \* 5/2009 Juhlin ..... D29/122  
D597,709 S 8/2009 Juhlin  
D601,308 S 9/2009 Broersma  
D604,911 S 11/2009 Juhlin  
D616,155 S 5/2010 Juhlin  
D617,956 S 6/2010 Taylor  
D631,614 S 1/2011 Renaud-Goud  
8,056,152 B2 11/2011 Brace  
D654,225 S \* 2/2012 Wu ..... D29/110  
D654,226 S \* 2/2012 Wu ..... D29/110

D654,634 S \* 2/2012 Wu ..... D29/110  
D666,778 S \* 9/2012 Juhlin et al. .... D29/122  
D667,591 S \* 9/2012 Juhlin et al. .... D29/122  
D668,001 S \* 9/2012 Juhlin et al. .... D29/122  
2003/0182716 A1 \* 10/2003 Wu ..... 2/424  
2005/0091732 A1 \* 5/2005 Howard et al. .... 2/424  
2006/0080761 A1 4/2006 Huh  
2008/0216215 A1 \* 9/2008 Lee ..... 2/424  
2009/0044317 A1 \* 2/2009 Tews ..... 2/424  
2009/0300813 A1 \* 12/2009 Ishikawa ..... 2/15

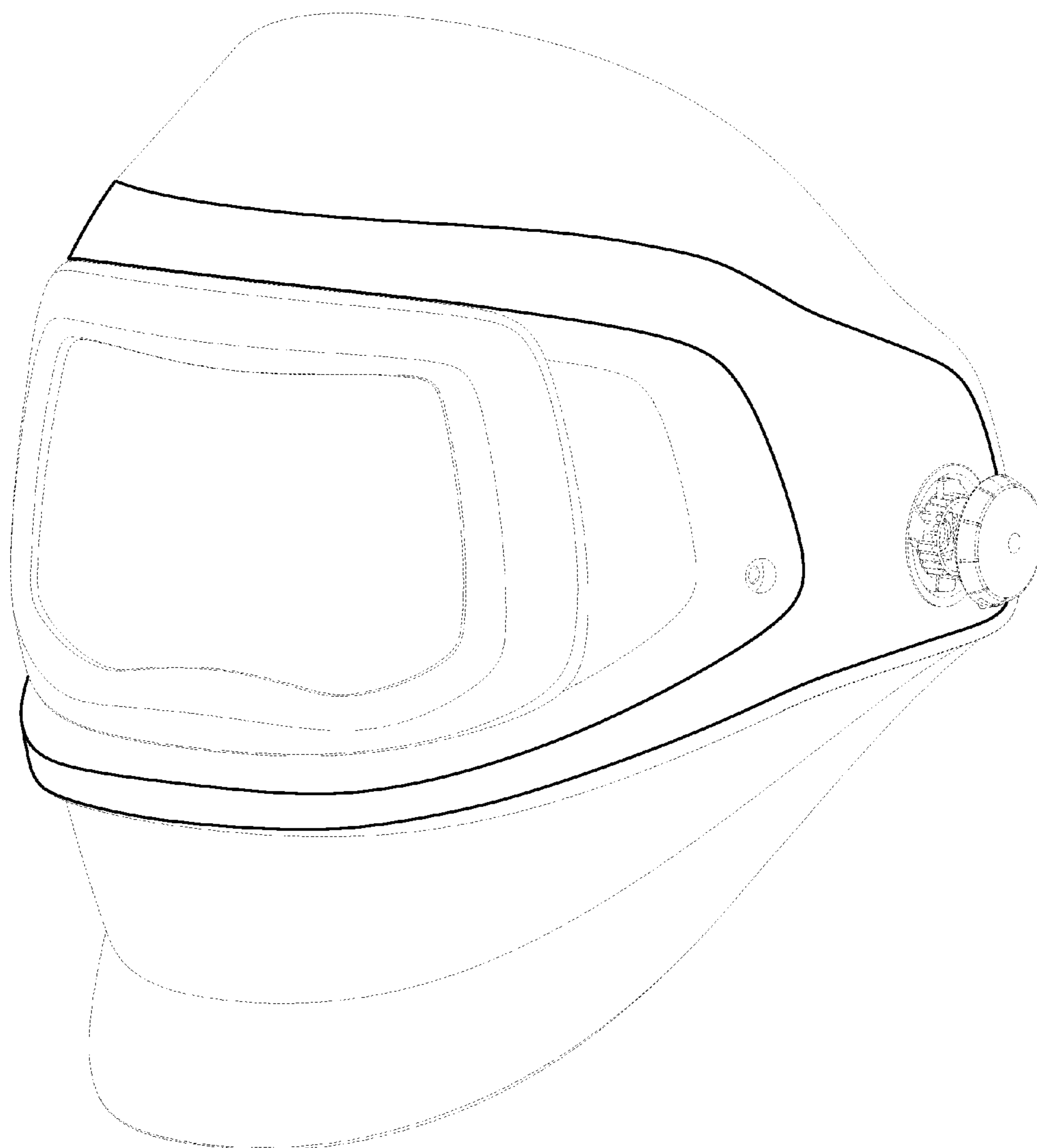
## FOREIGN PATENT DOCUMENTS

CA	125939	1/2009
EM	0009754380001D	8/2008
JP	1351393	10/2009
KR	300528687D	5/2009

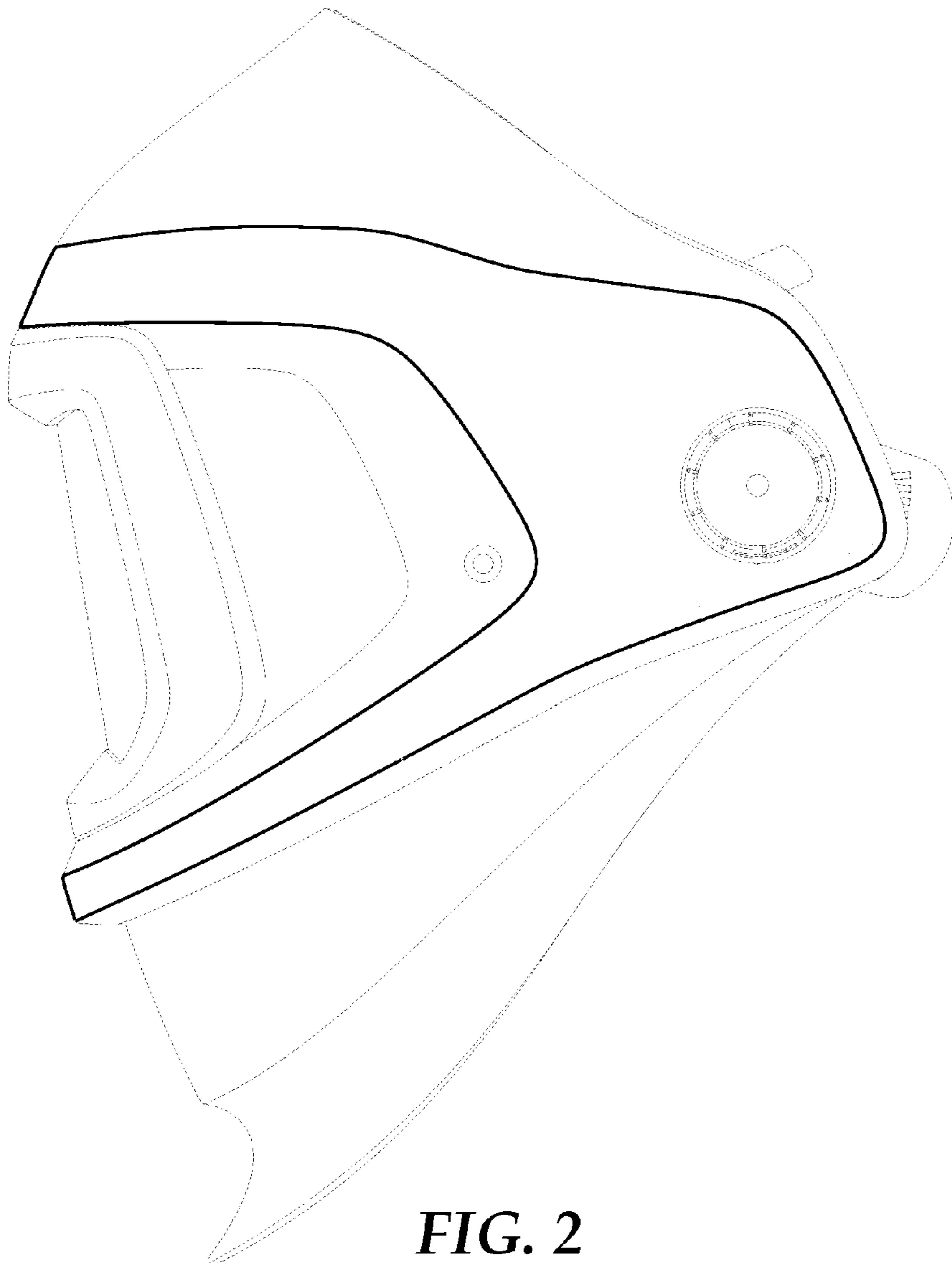
## OTHER PUBLICATIONS

3M Korea, 3M Speedglas, "Comfortable Protection for Safer Welding," Date unknown, however believed to be prior the filing of this application. Literature was cited in foreign counterpart Korean Application No. 30-2010-39963 in an Office Action dated Nov. 30, 2011.

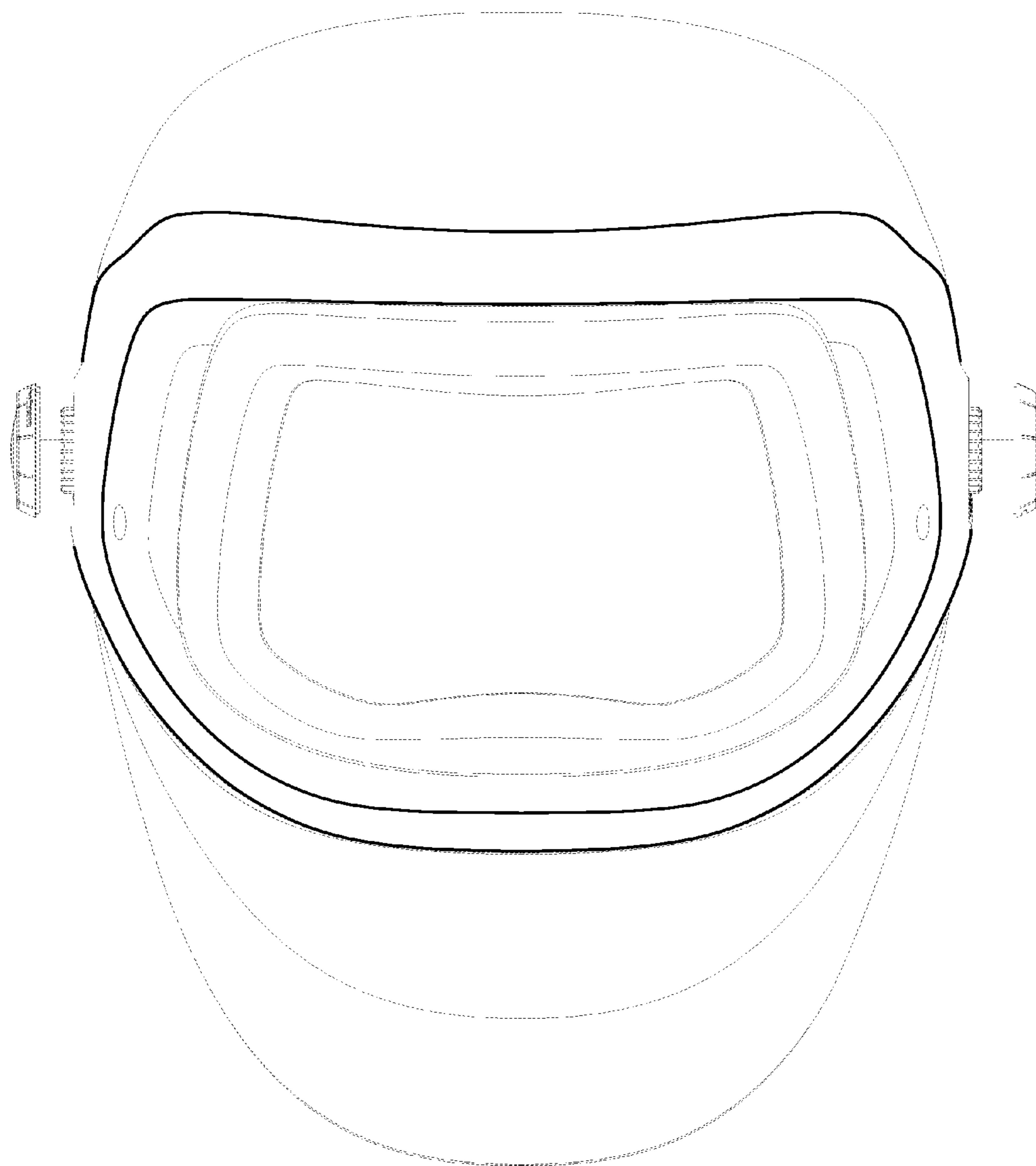
\* cited by examiner



**FIG. 1**

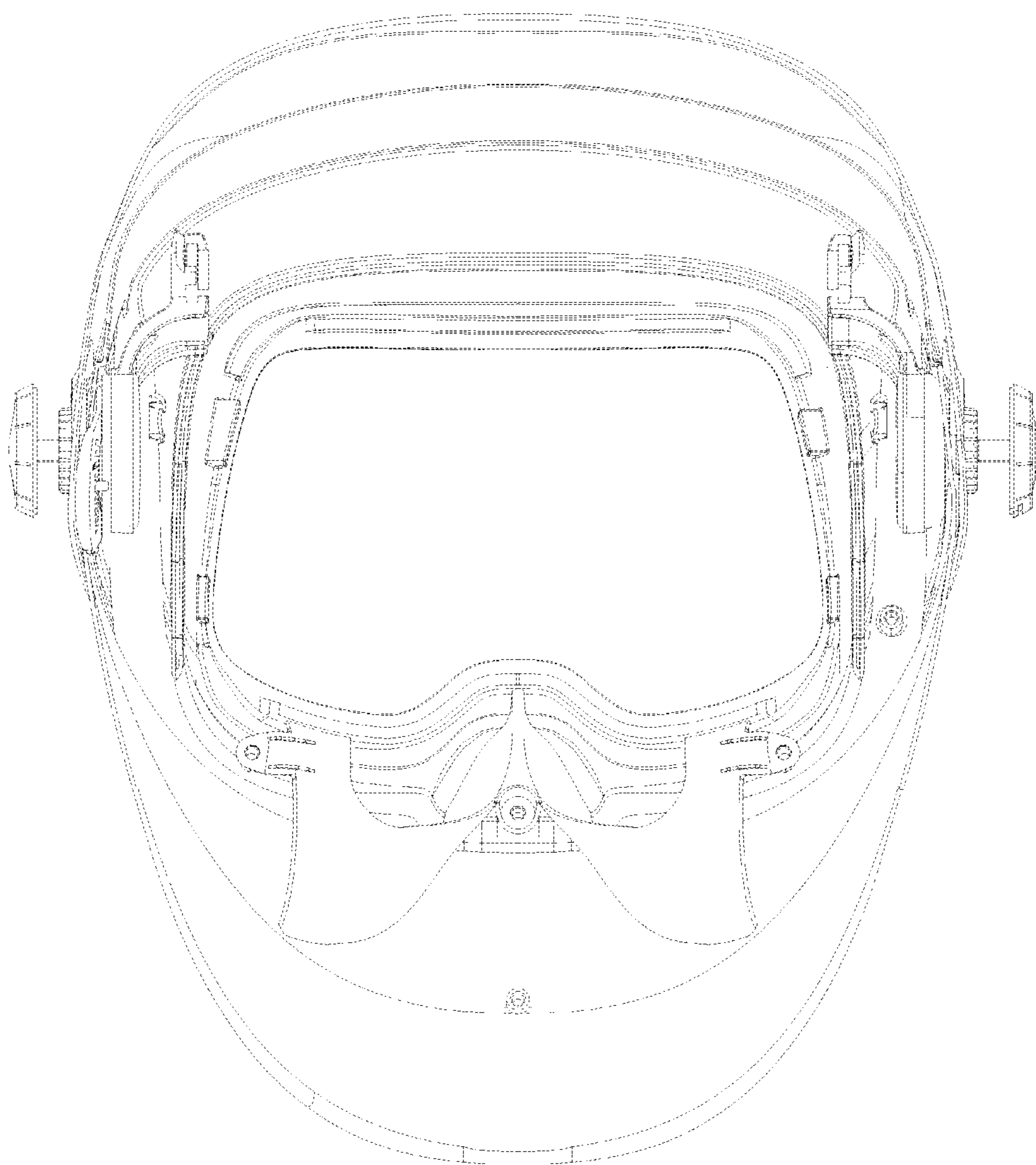


**FIG. 2**

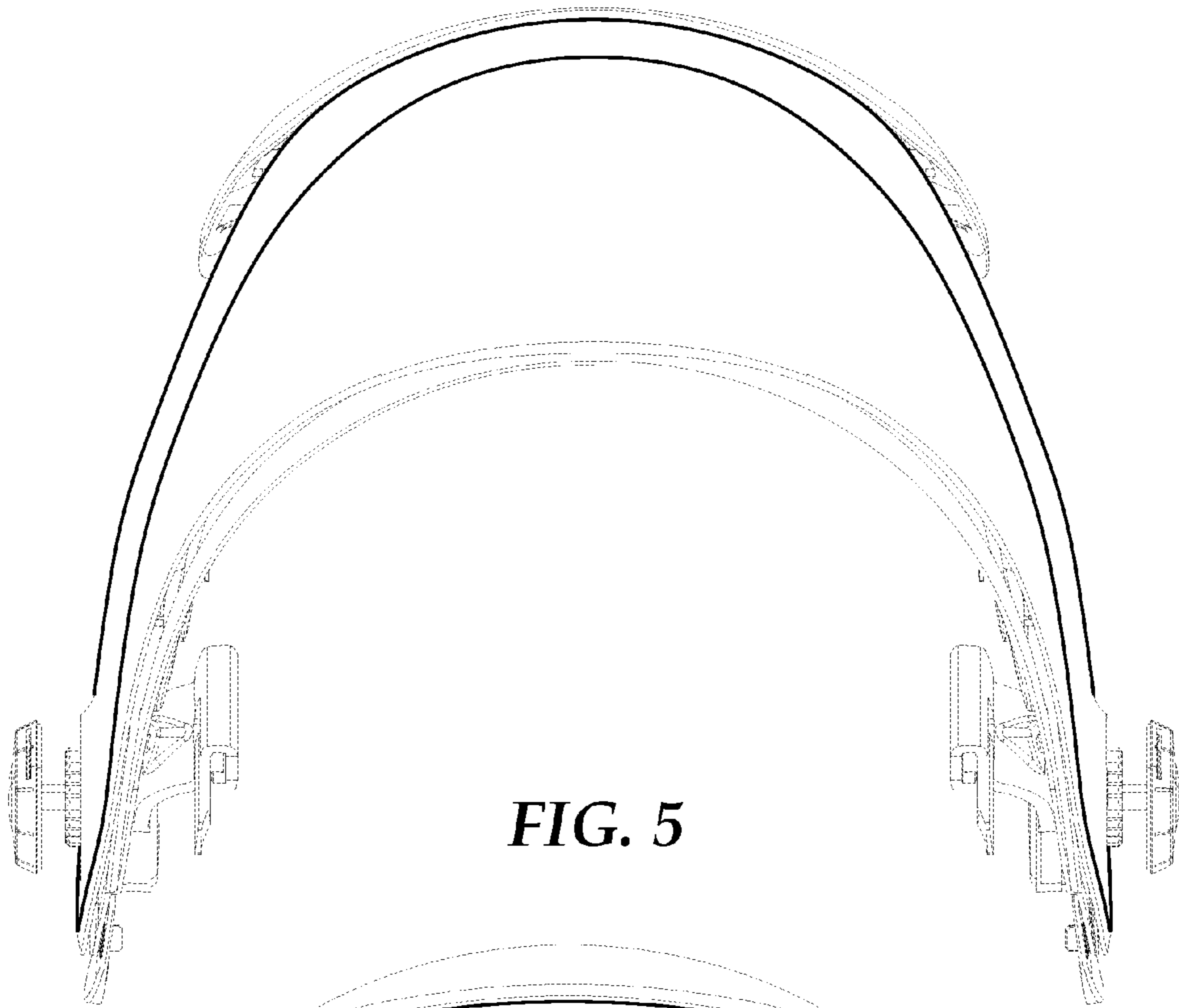


**FIG. 3**

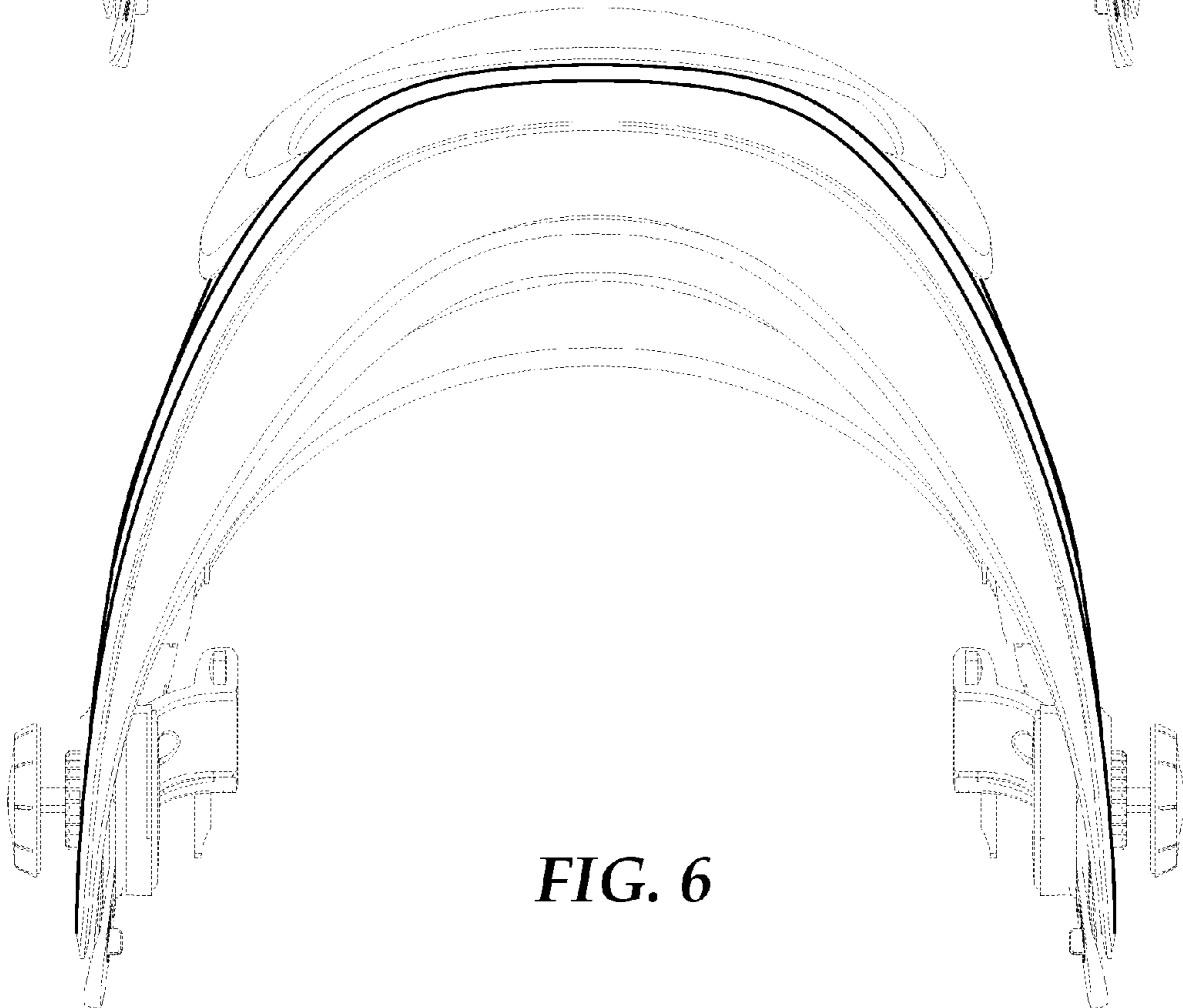




**FIG. 4**



*FIG. 5*



*FIG. 6*