

US00D677431S

(12) **United States Design Patent**
Tarlton et al.

(10) **Patent No.:** **US D677,431 S**
(45) **Date of Patent:** **** Mar. 5, 2013**

- (54) **GROOMING TWEEZERS**
- (75) Inventors: **Jacquelyn Tarlton**, Miami, FL (US);
Dawn Sole, Miami, FL (US)
- (73) Assignee: **Taso, LLC**, Miami, FL (US)
- (**) Term: **14 Years**
- (21) Appl. No.: **29/424,071**
- (22) Filed: **Jun. 7, 2012**
- (51) **LOC (9) Cl.** **28-03**
- (52) **U.S. Cl.** **D28/55**
- (58) **Field of Classification Search** D28/55,
D28/59; D24/143; 606/210-211; 294/99.4
See application file for complete search history.

(56) **References Cited**

U.S. PATENT DOCUMENTS

218,391	A	8/1879	McDonald	
1,616,355	A	3/1926	Considine	
D144,007	S	5/1945	Troya	
2,494,685	A	3/1946	Biel	
2,888,020	A	3/1958	Schultz	
4,184,499	A	1/1980	Seidler	
4,381,792	A	5/1983	Busch, Jr. et al.	
5,706,835	A	1/1998	Salvino	
D397,517	S	8/1998	Choyee	
D402,083	S *	12/1998	Lee	D28/44
6,050,269	A	4/2000	Park	
6,102,048	A	8/2000	Baker	
6,155,270	A	12/2000	Samiean	
D456,097	S *	4/2002	LaMagna et al.	D28/55
D526,444	S *	8/2006	Di Bitonto et al.	D28/55
D568,001	S *	4/2008	Cho	D28/55

7,461,743 B2 12/2008 Taft
D636,127 S * 4/2011 Allison et al. D28/55
2004/0094178 A1 5/2004 Sherts

FOREIGN PATENT DOCUMENTS

JP 2003-340645 12/2003

* cited by examiner

Primary Examiner — Jennifer Rivard

(74) *Attorney, Agent, or Firm* — Knobbe Martens Olson & Bear, LLP

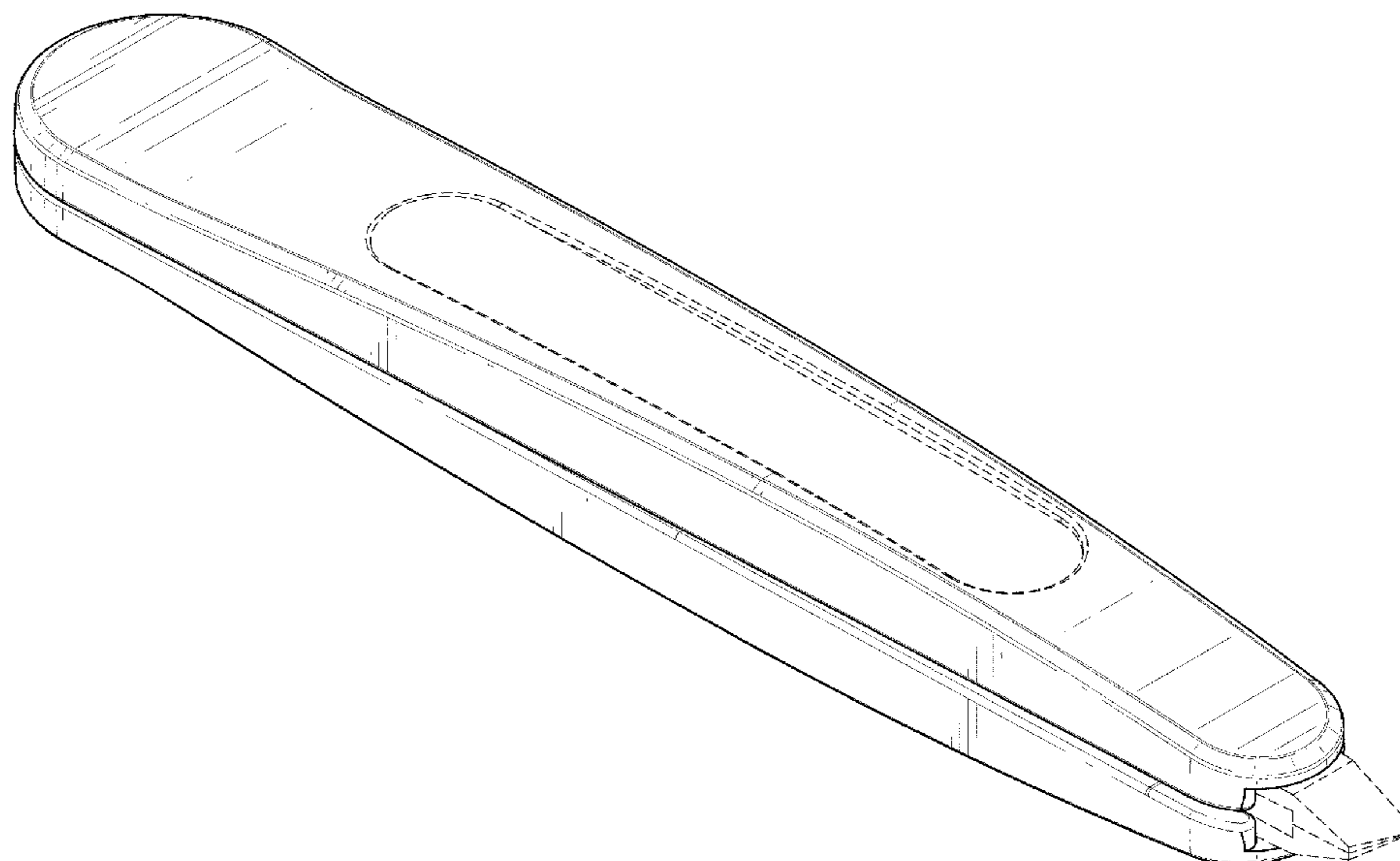
(57) **CLAIM**

We claim the ornamental design for grooming tweezers, as shown and described.

DESCRIPTION

FIG. 1 is a perspective top view of a new design for grooming tweezers;
FIG. 2 is a top planar view of the grooming tweezers of FIG. 1;
FIG. 3 is a bottom planar view of the grooming tweezers of FIG. 1;
FIG. 4 is a left side view of the grooming tweezers of FIG. 1;
FIG. 5 is a right side view of the grooming tweezers of FIG. 1;
FIG. 6 is a front level view of the grooming tweezers of FIG. 1; and,
FIG. 7 is a rear level view of the grooming tweezers of FIG. 1.
The broken line ovals represent the bounds of the claim. The remaining broken lines illustrate portions of the article. None of the broken lines forms part of the claimed design.

1 Claim, 3 Drawing Sheets



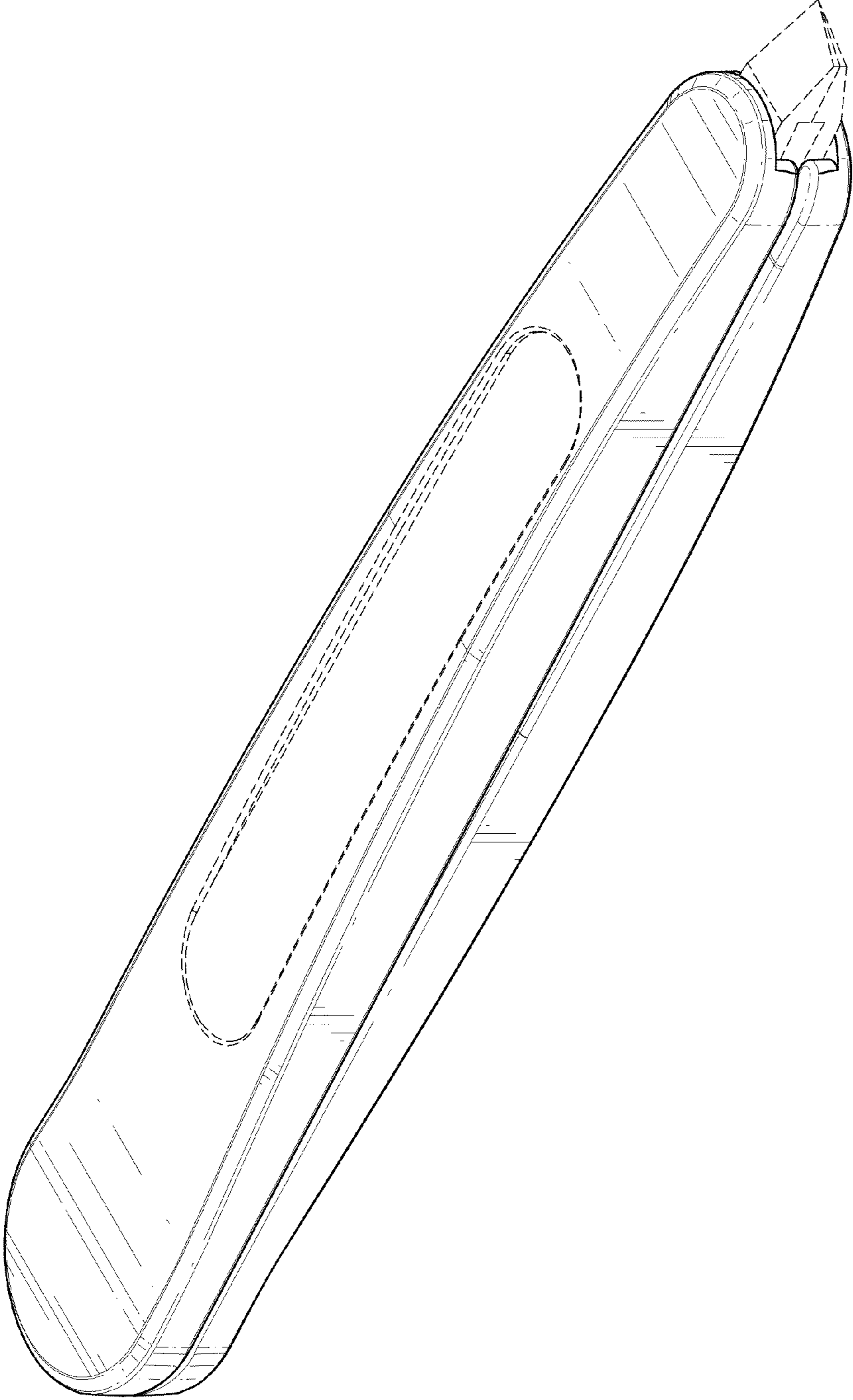


FIG. 1

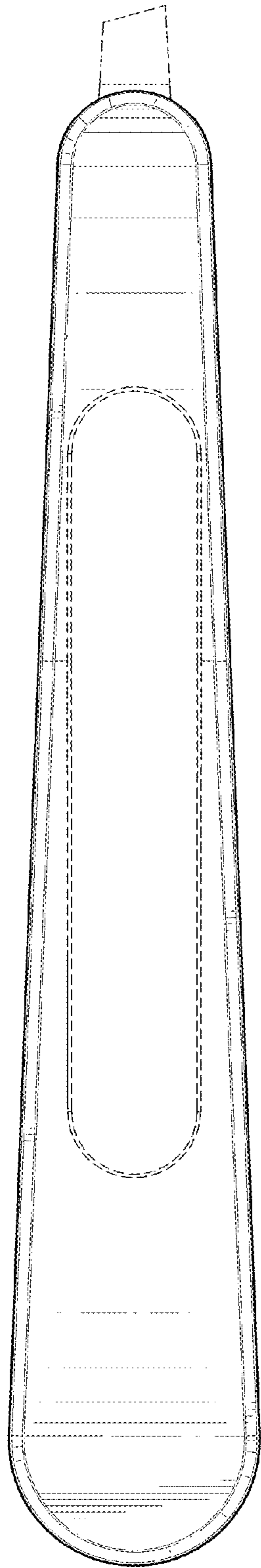


FIG. 2

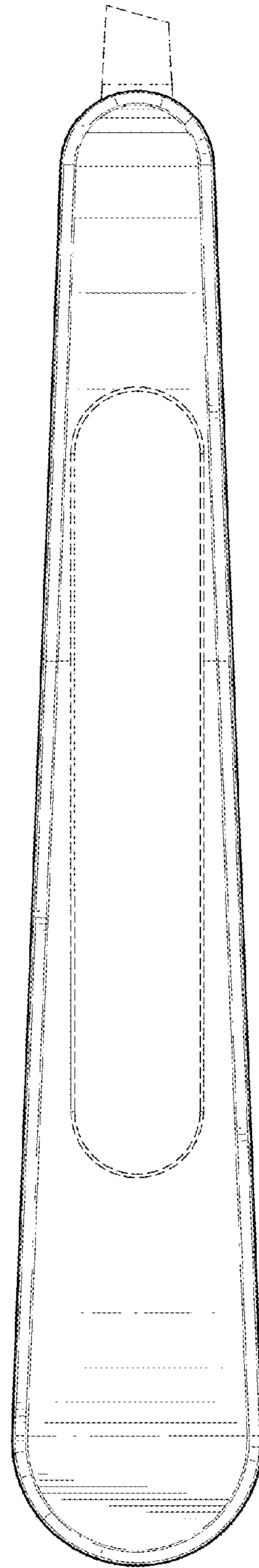


FIG. 3

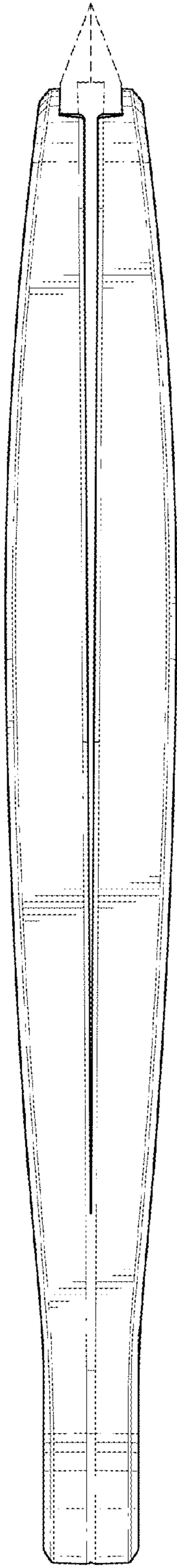


FIG. 4

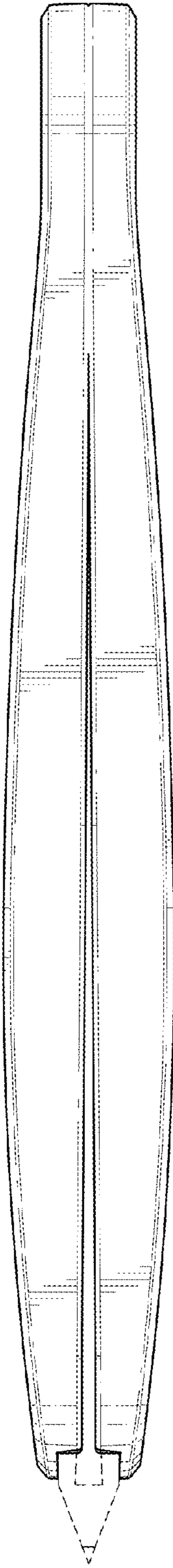


FIG. 5

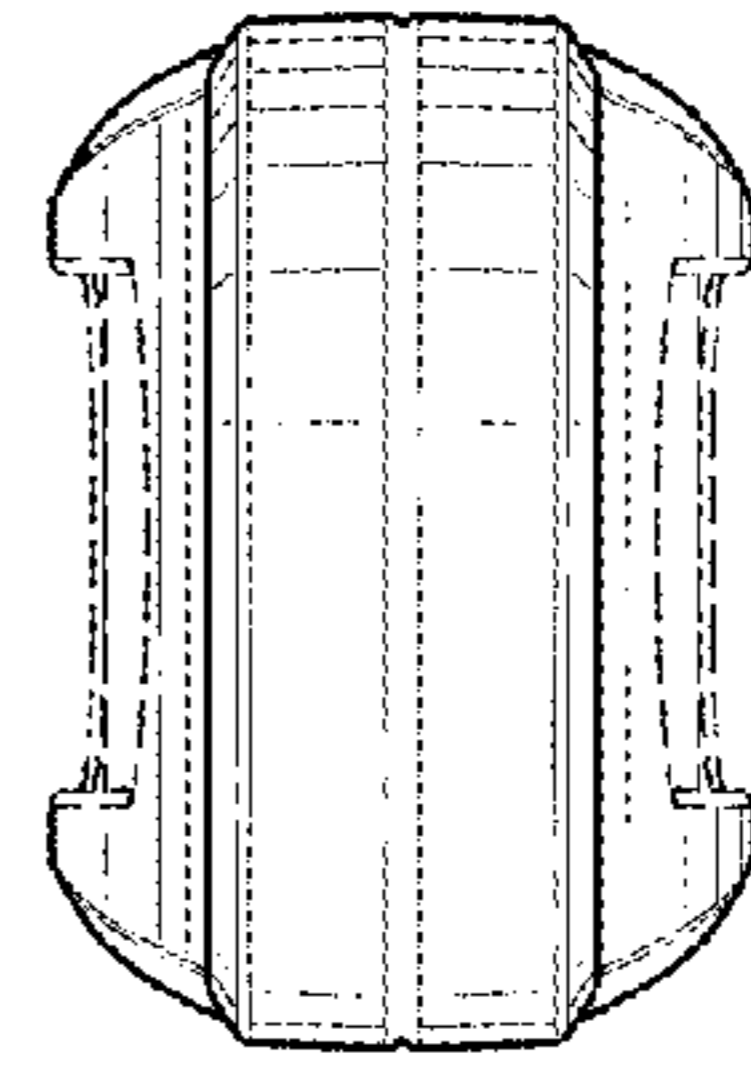


FIG. 7

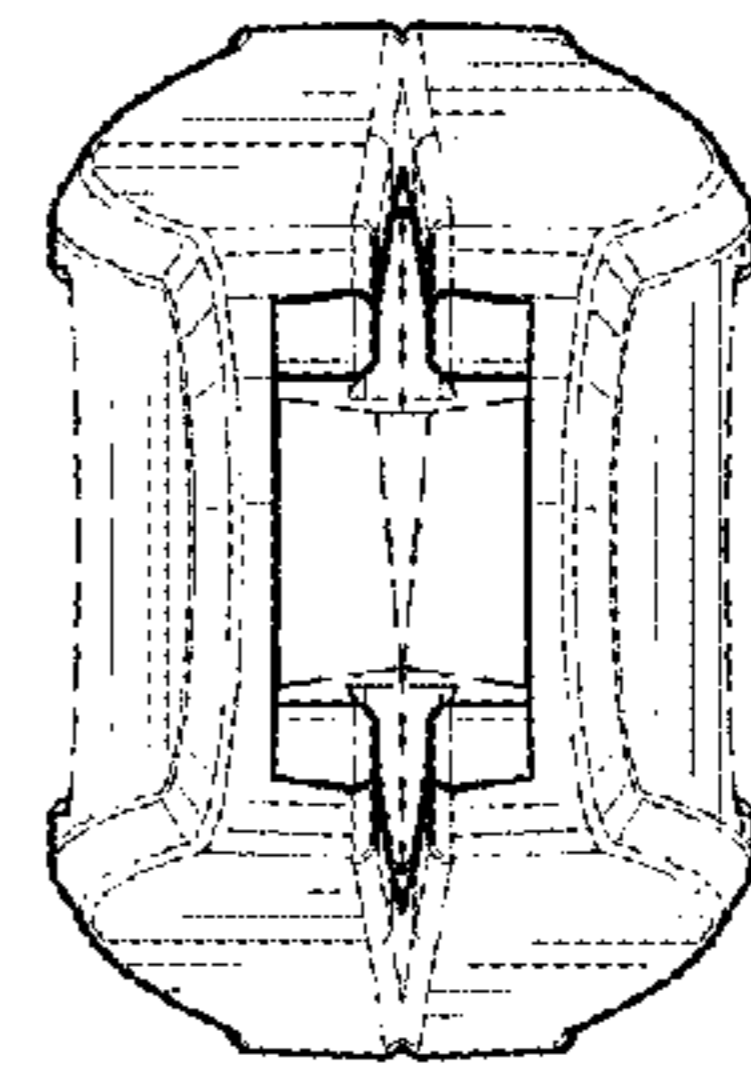


FIG. 6