



US00D677427S

(12) **United States Design Patent**  
**Ross**

(10) **Patent No.:** **US D677,427 S**

(45) **Date of Patent:** **\*\* Mar. 5, 2013**

(54) **SMOKING DEVICE ADAPTER**

(76) Inventor: **Edmund Ross**, Bloomfield Hills, MI  
(US)

(\*\*) Term: **14 Years**

(21) Appl. No.: **29/404,308**

(22) Filed: **Oct. 19, 2011**

(51) **LOC (9) Cl.** ..... **27-02**

(52) **U.S. Cl.** ..... **D27/167**

(58) **Field of Classification Search** ..... D27/100,  
D27/162, 267, 168, 169, 180, 194, 196;  
D23/259-269; D9/436; 131/328, 329, 330,  
131/176, 177, 184.1, 198.1, 191, 206, 215.1,  
131/215.3, 247, 347, 348

See application file for complete search history.

(56) **References Cited**

U.S. PATENT DOCUMENTS

D258,693 S *	3/1981	L'Heureux	.....	D27/168
D292,621 S *	11/1987	Graham	.....	D27/168
D304,301 S *	10/1989	Moss et al.	.....	D9/436
D402,354 S *	12/1998	Strong et al.	.....	D23/259
D423,307 S *	4/2000	Dittmann, Jr.	.....	D7/700
D435,090 S *	12/2000	Stout, Jr.	.....	D23/269
D542,968 S *	5/2007	Guan	.....	D27/170
D599,894 S *	9/2009	Price et al.	.....	D23/262
D637,697 S *	5/2011	Steiner	.....	D23/262

D649,625 S *	11/2011	DeWitt et al.	.....	D23/269
D655,796 S *	3/2012	DeWitt et al.	.....	D23/269
D657,848 S *	4/2012	Howson	.....	D23/261
D658,807 S *	5/2012	Aboushi	.....	D27/169

\* cited by examiner

*Primary Examiner* — Robert M Spear

*Assistant Examiner* — Janice Hallmark

(74) *Attorney, Agent, or Firm* — Mark Wisnosky

(57) **CLAIM**

The ornamental design for a smoking device adapter, as shown and described.

**DESCRIPTION**

FIG. 1 is a perspective front view of the smoking device adapter;

FIG. 2 is a perspective top view thereof;

FIG. 3 is a front view thereof;

FIG. 4 is a back view thereof;

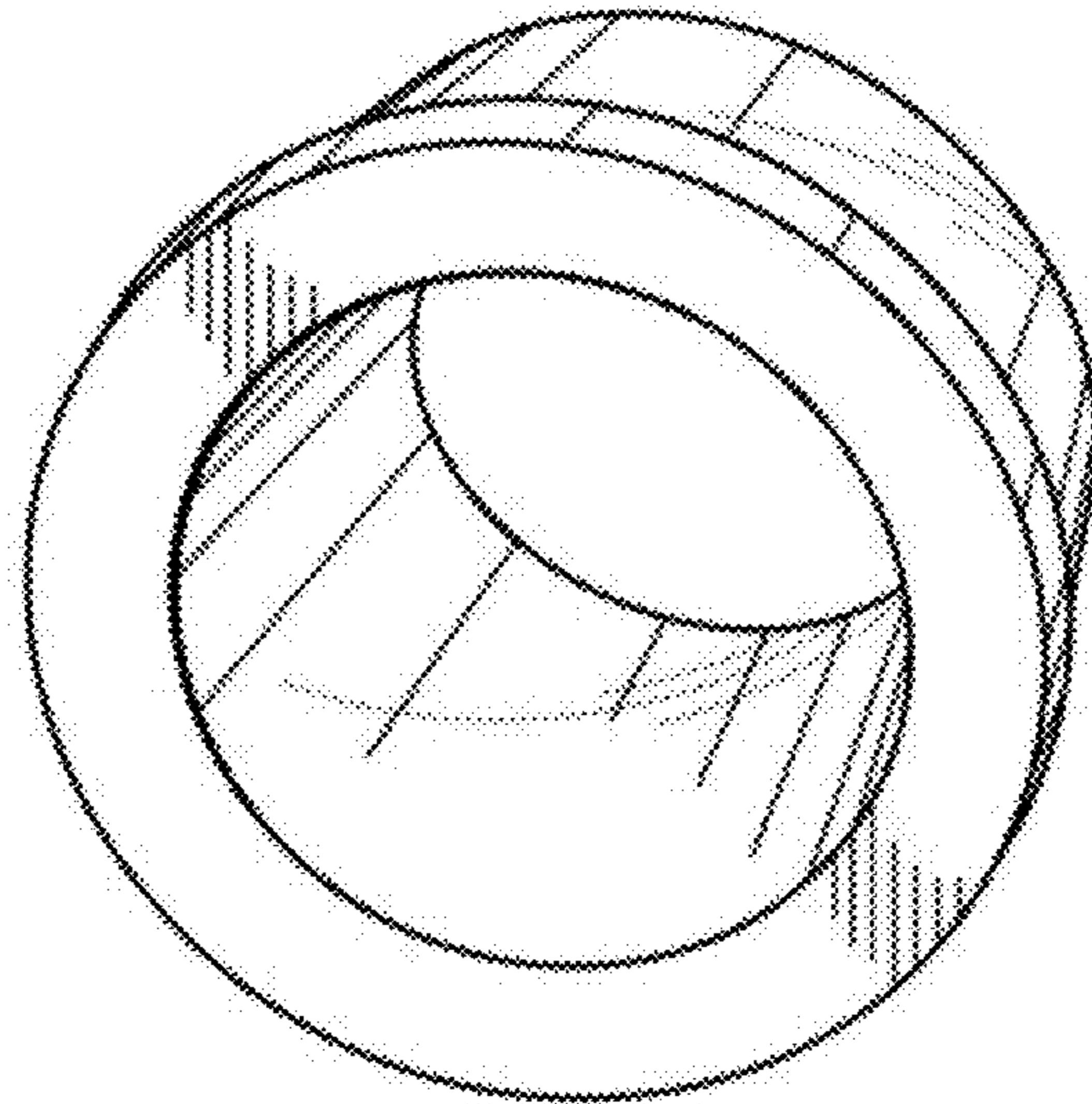
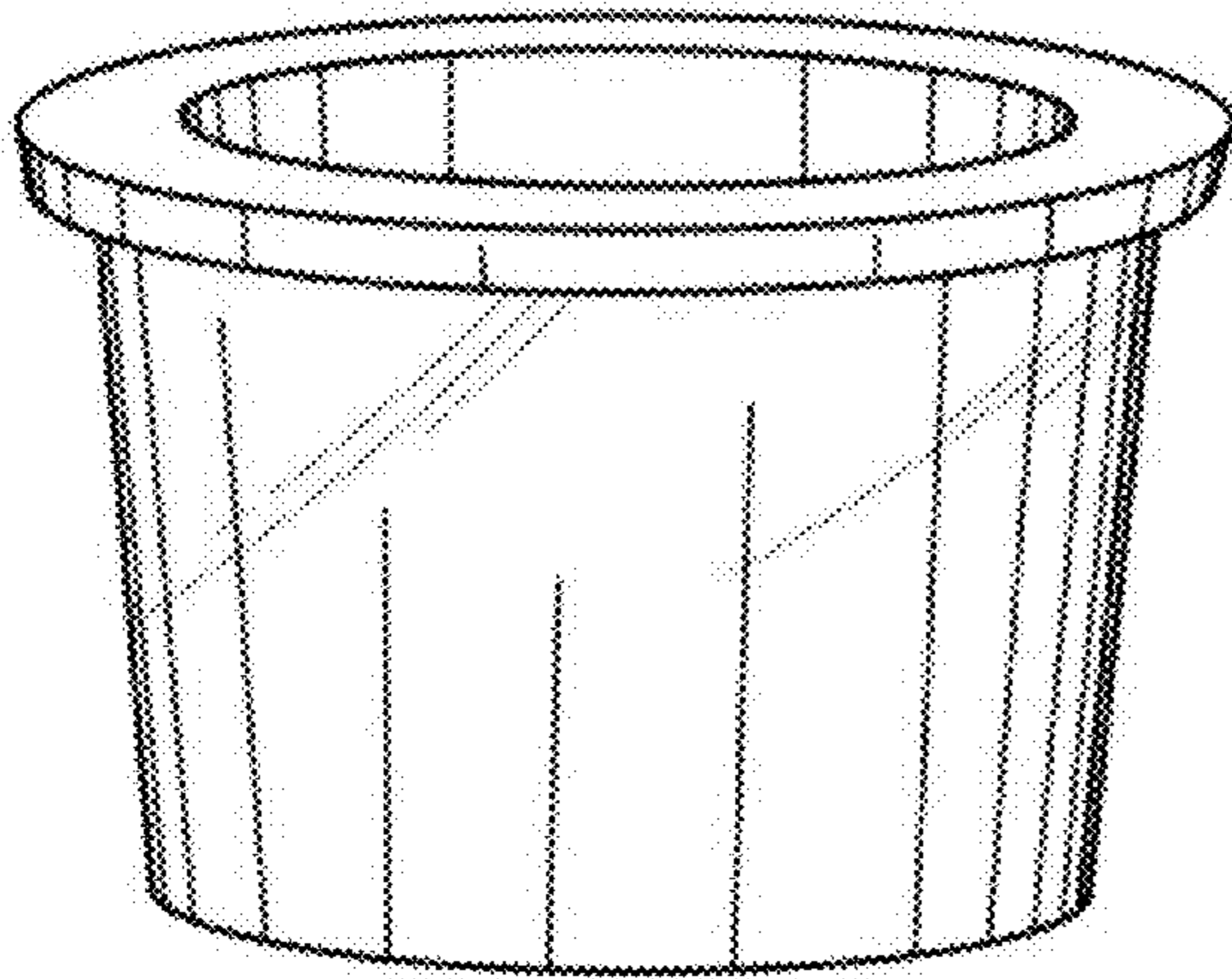
FIG. 5 is a bottom view thereof;

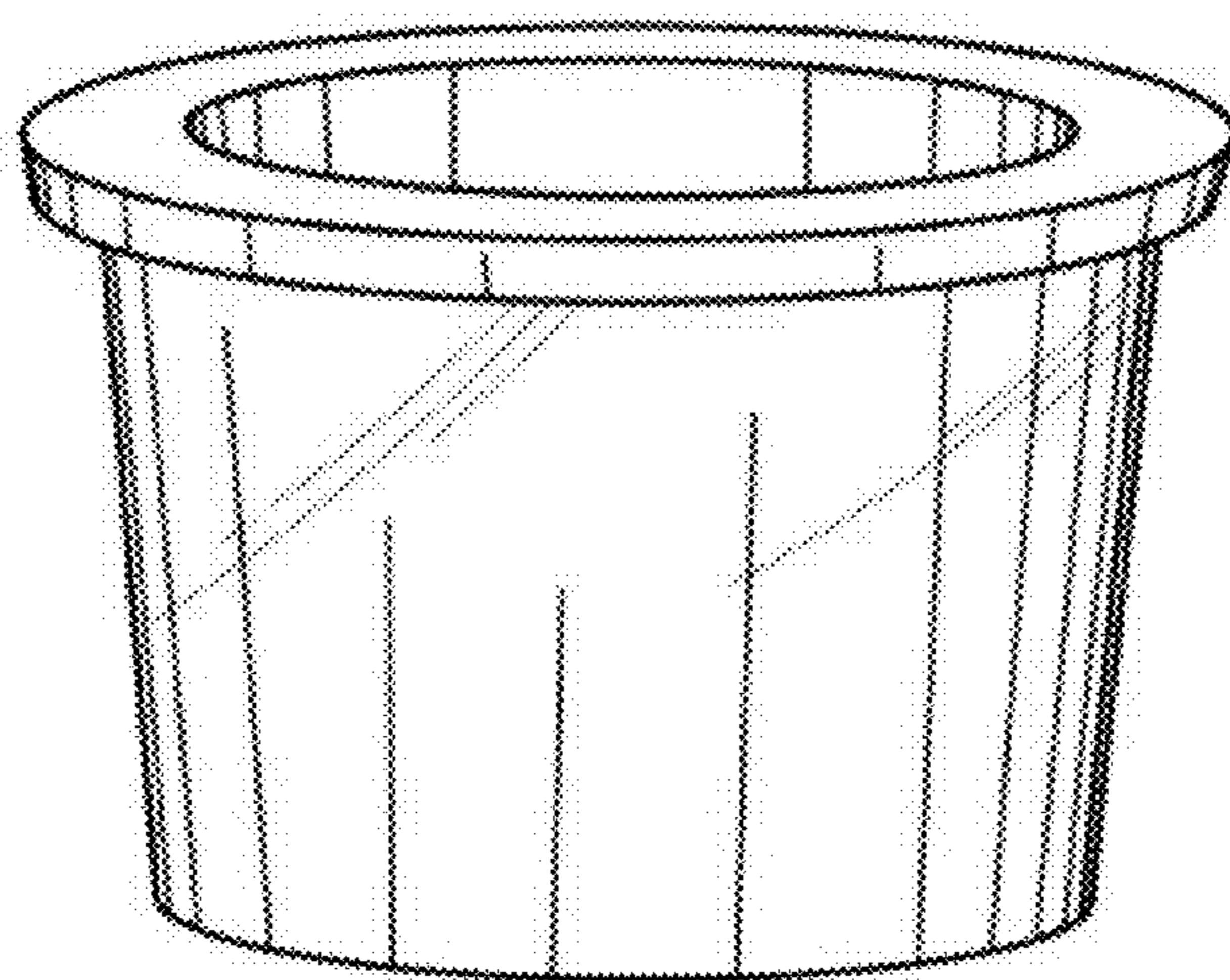
FIG. 6 is a top view thereof; and,

FIG. 7 is a perspective view of the smoking device adapter shown in an unclaimed environment with a smoking device above the smoking device adapter, a bottle cap below, and a bottle below the cap.

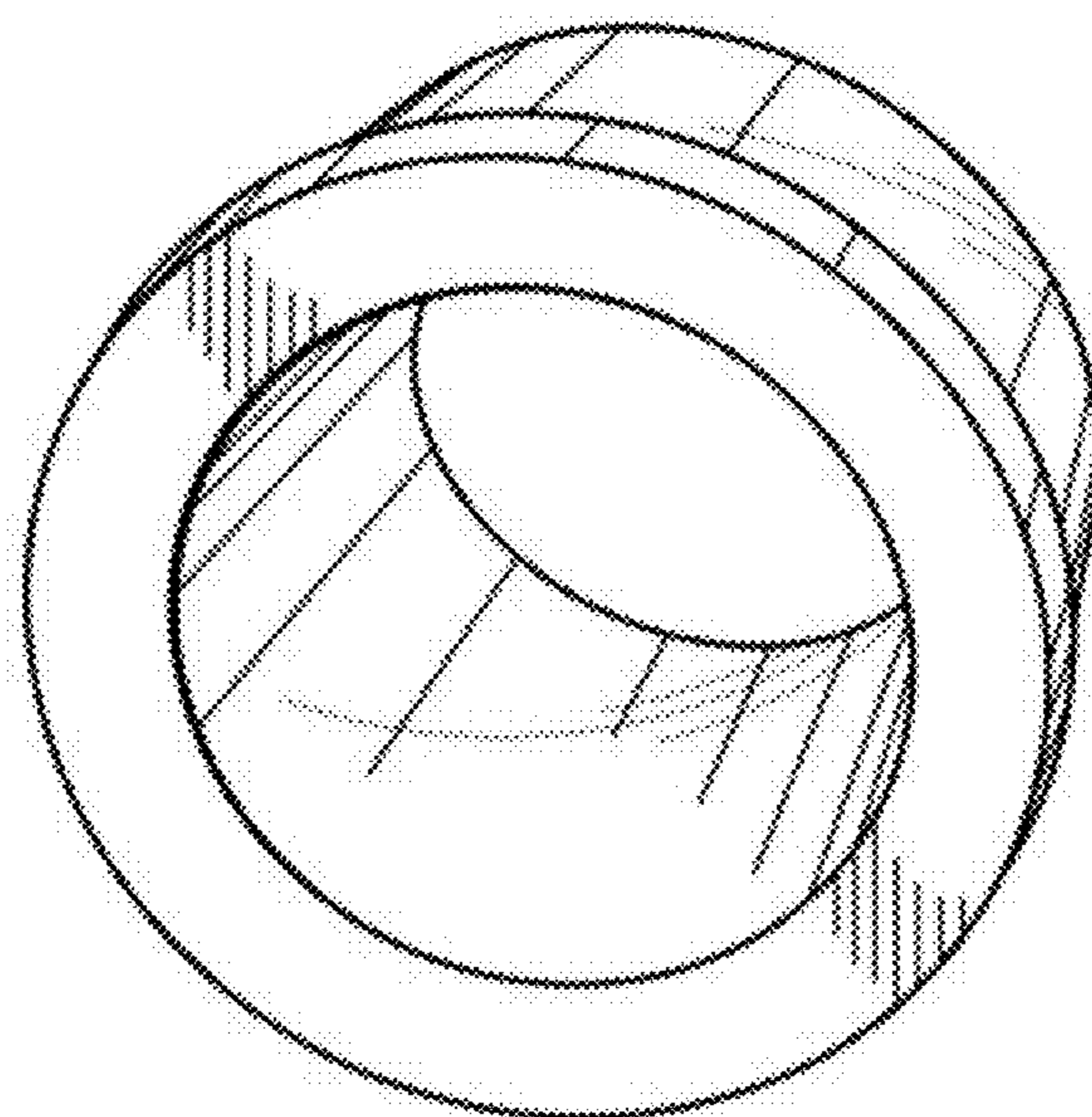
In the drawings, the broken lines depict unclaimed environment.

**1 Claim, 4 Drawing Sheets**

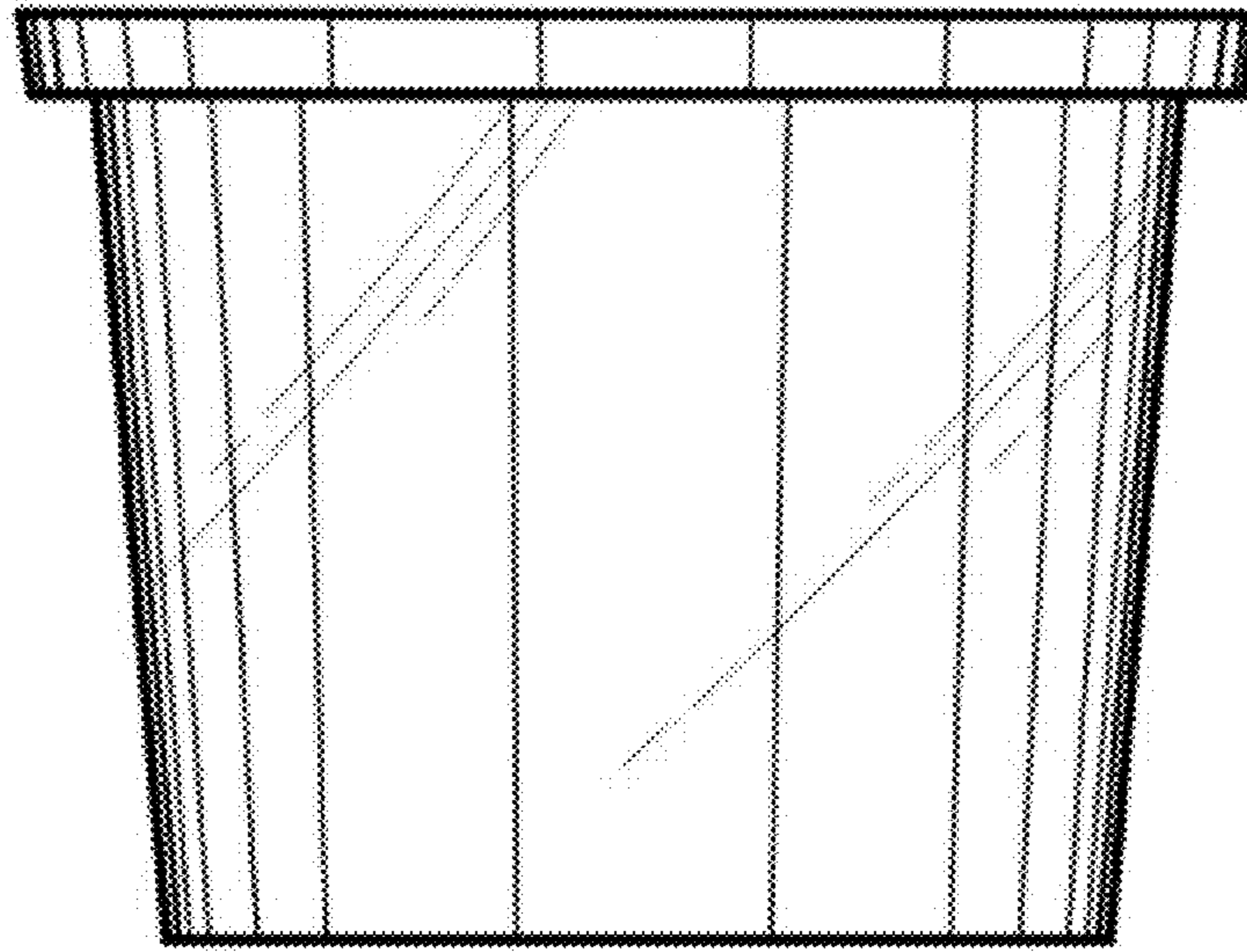




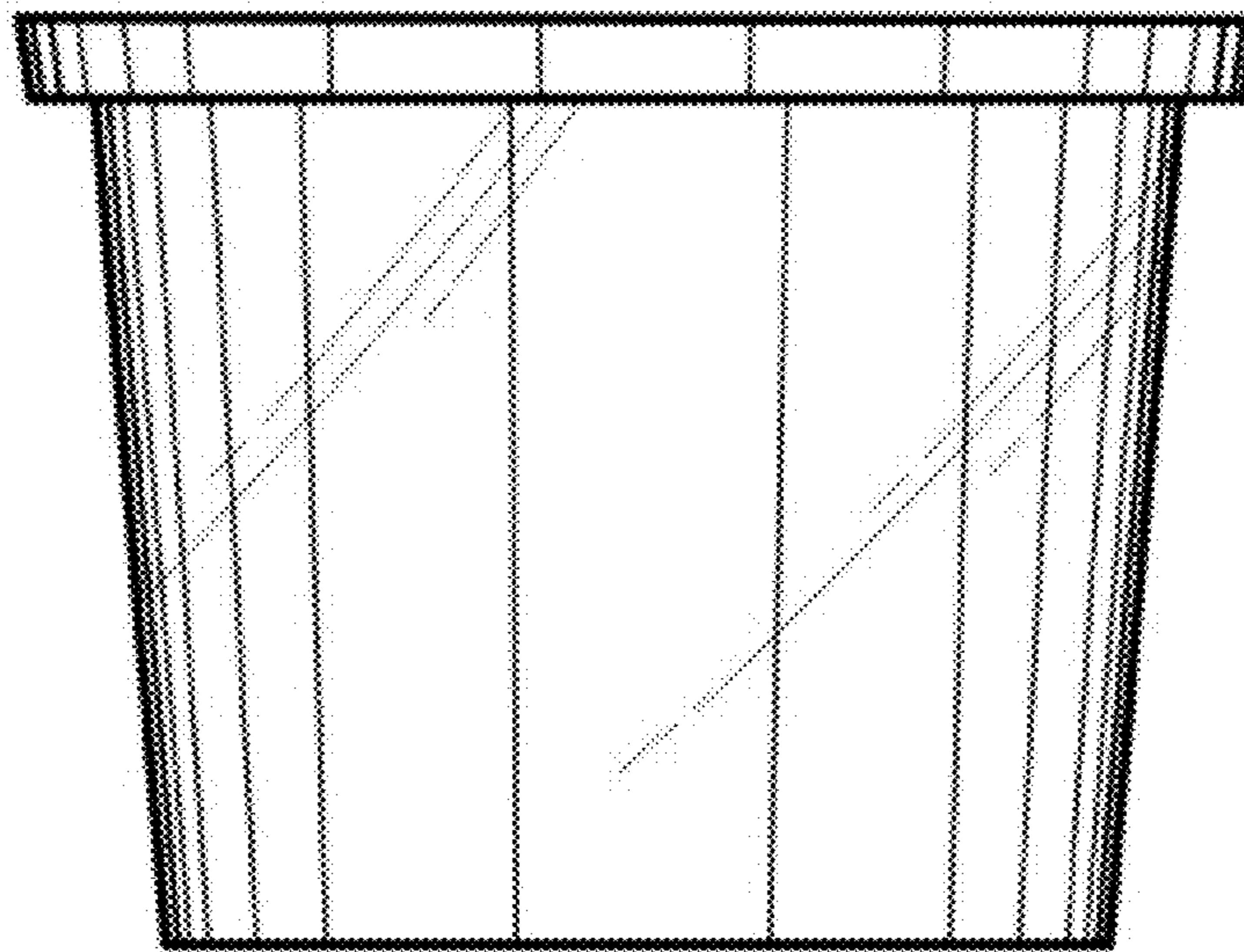
*Fig. 1*



*Fig. 2*



*Fig. 3*



*Fig. 4*

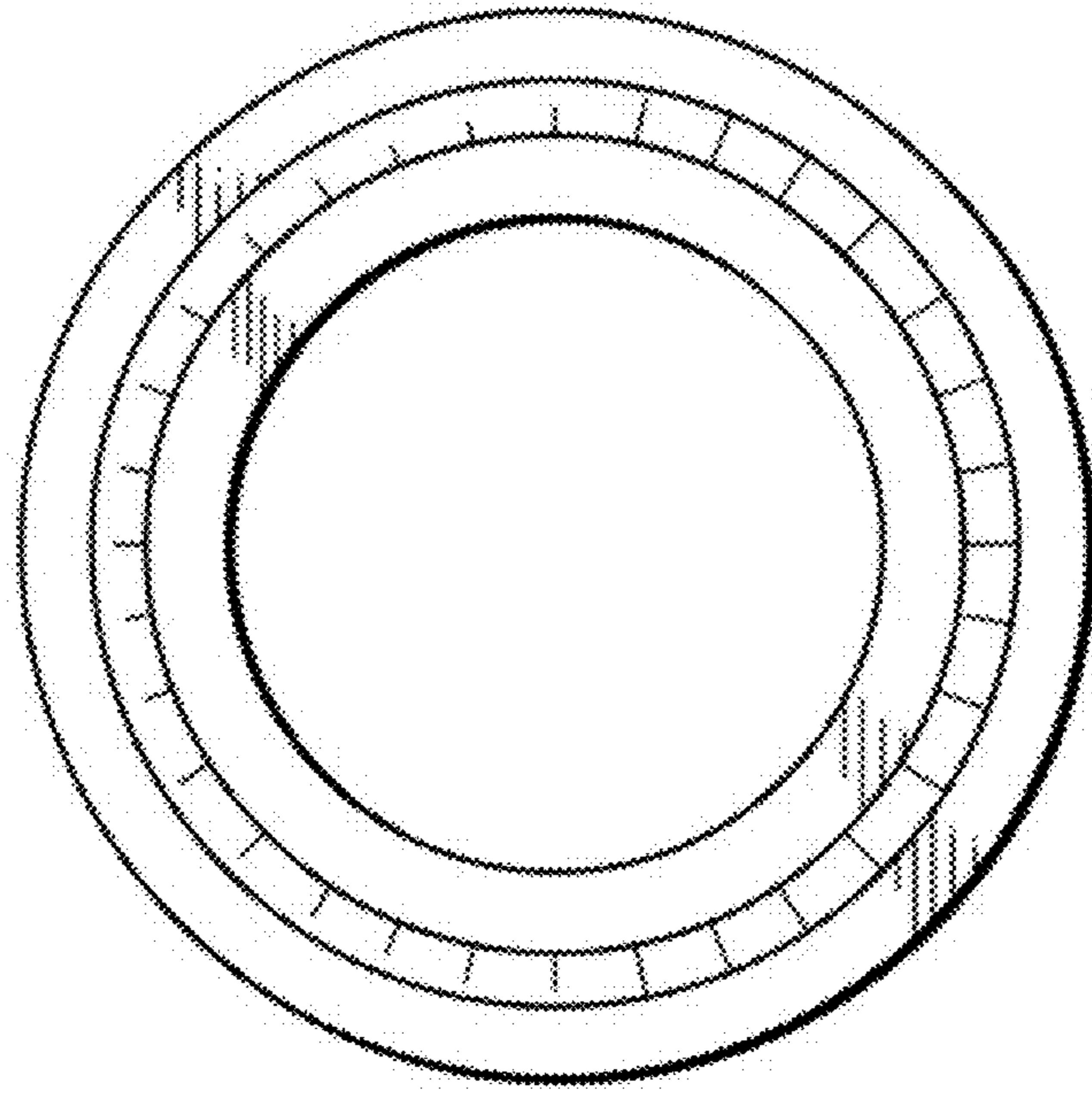


Fig. 5

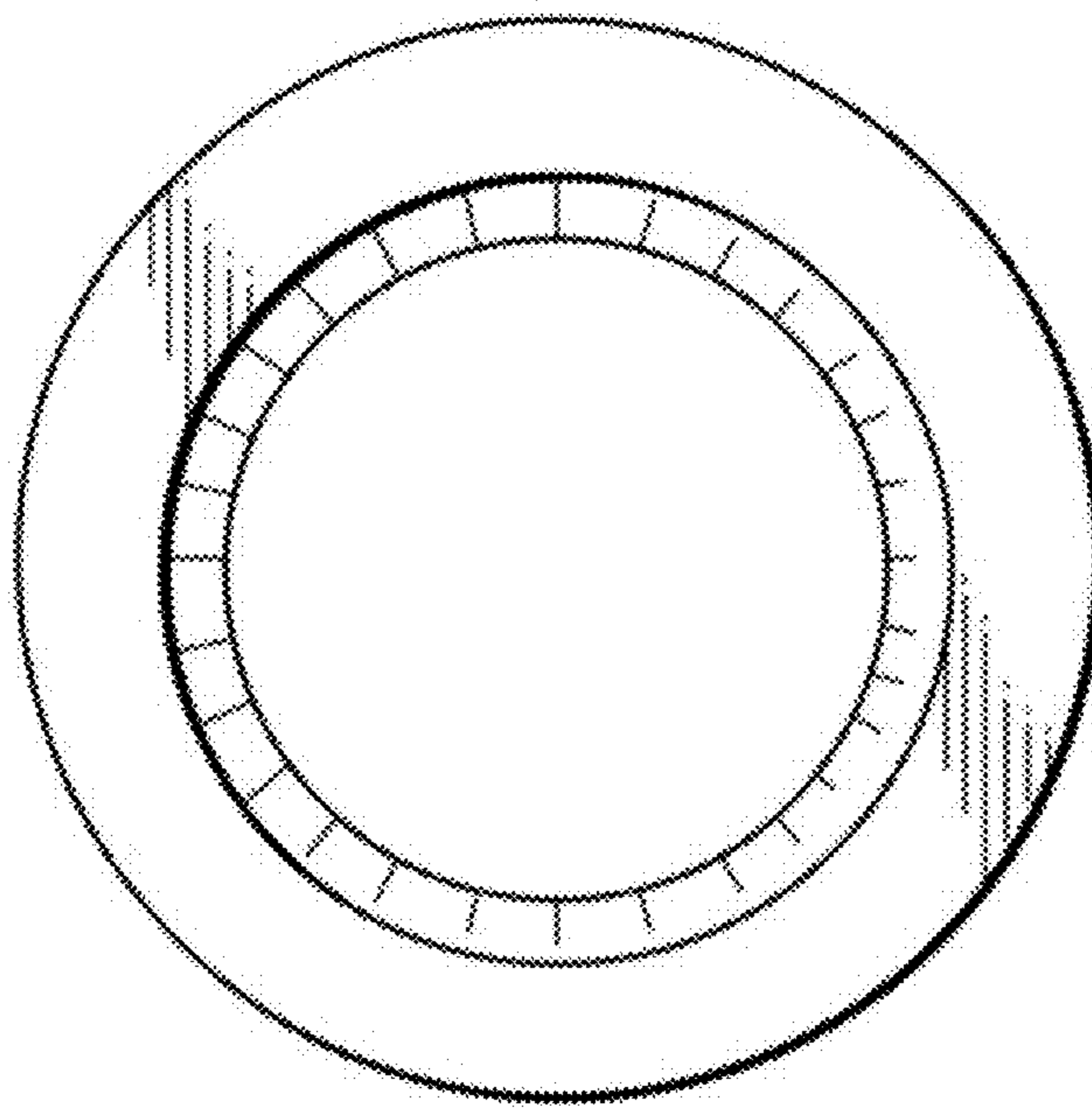


Fig. 6

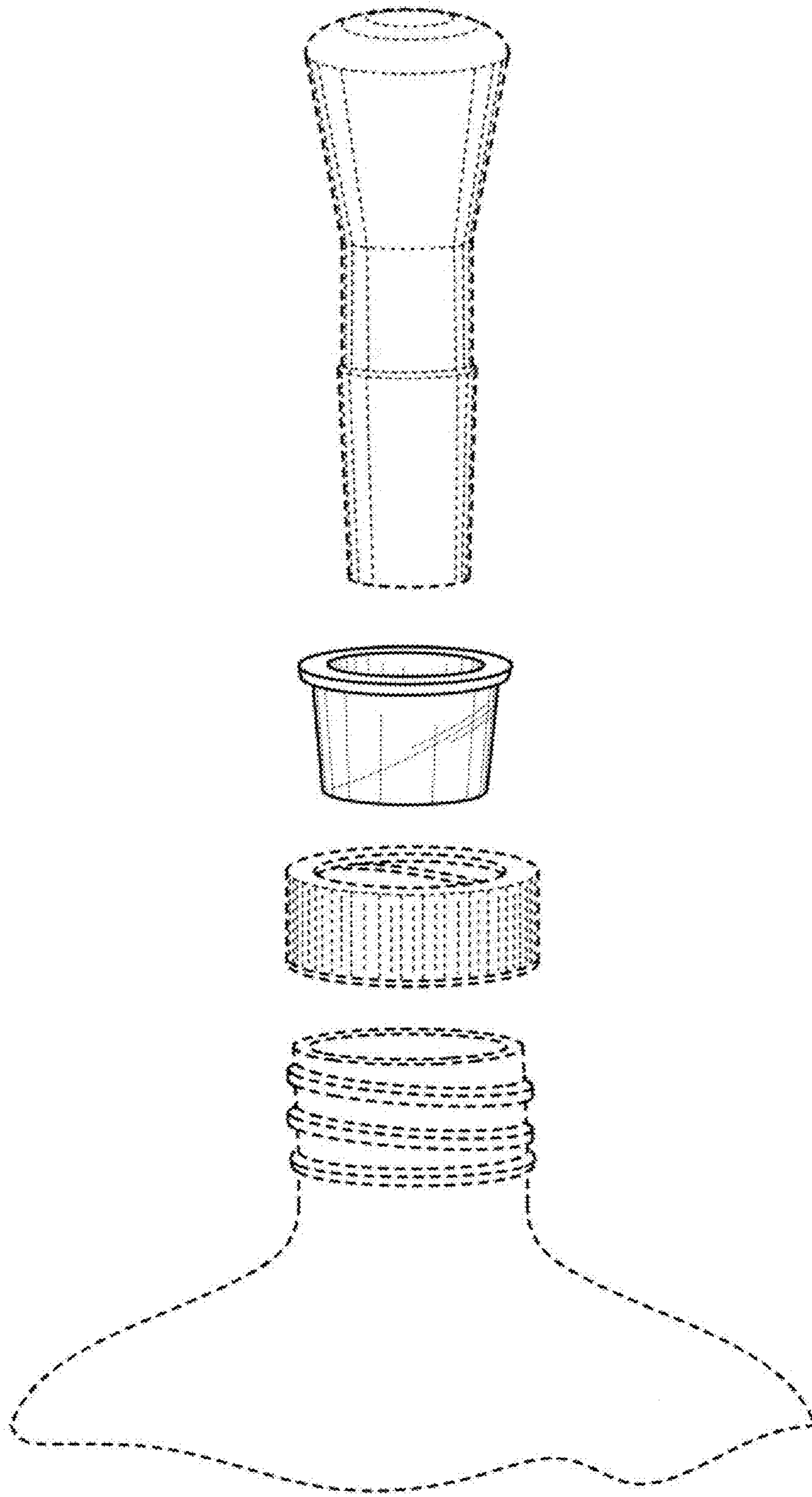


Fig. 7