



US00D677426S

(12) **United States Design Patent**
Henry

(10) **Patent No.:** **US D677,426 S**
(45) **Date of Patent:** **** Mar. 5, 2013**

(54) **ASHTRAY WITH SNUFFER**
(76) Inventor: **Diana L. Henry**, Alexander, AR (US)
(**) Term: **14 Years**
(21) Appl. No.: **29/429,835**
(22) Filed: **Aug. 17, 2012**
(51) **LOC (9) Cl.** **27-03**
(52) **U.S. Cl.** **D27/136**
(58) **Field of Classification Search** D27/106,
D27/136, 133, 134, 135, 102, 103, 104, 105,
D27/137, 161, 163, 160, 166, 167, 168, 181,
D27/183, 162, 169, 180, 165, 164, 182, 184,
D27/185, 186, 187, 188, 189, 190; 131/235.1,
131/241, 248, 231, 240.1, 236, 256, 175,
131/173; D9/432, 423; 248/230.8; 431/146,
431/254, 252, 277, 255, 153, 356
See application file for complete search history.

D196,351 S * 9/1963 Anholt D27/102
3,160,162 A * 12/1964 Nunez 131/236
D211,921 S 8/1968 Bourgeois
3,586,008 A 6/1971 Fredette
3,606,893 A * 9/1971 Verberg 131/232
D228,036 S * 7/1973 Hollister D27/133
3,777,767 A * 12/1973 Wunsch 131/257
3,841,339 A * 10/1974 Fox et al. 131/235.1
4,108,153 A 8/1978 Pearson
D258,149 S * 2/1981 Bobbish D27/127
4,473,084 A 9/1984 Marshall
D278,749 S * 5/1985 Martinovics et al. D27/134
D279,721 S * 7/1985 Martinovics et al. D27/134
D286,918 S * 11/1986 Valencia D27/106
D402,399 S * 12/1998 Fowler D27/135
6,148,827 A * 11/2000 Hollenstein 131/241
D508,754 S * 8/2005 Haywood D27/133
D576,350 S 9/2008 Wu

* cited by examiner

Primary Examiner — Kevin Rudzinski
(74) *Attorney, Agent, or Firm* — Montgomery Patent & Design LLC; Robert C. Montgomery

(56) **References Cited**

U.S. PATENT DOCUMENTS

D57,276 S * 3/1921 Schell D27/134
1,710,957 A 4/1929 Ritz Woller
2,011,242 A * 8/1935 Girard 131/240.1
2,172,161 A * 9/1939 Du Prey 131/240.1
2,425,428 A * 8/1947 Graffenberger 131/240.1
D152,656 S * 2/1949 Schwisow D27/133
D155,083 S * 9/1949 Frank D27/133
D162,130 S * 2/1951 Cross D27/138
D164,120 S * 7/1951 Mahony D27/133
D187,969 S * 5/1960 Bickford D27/133
2,989,813 A * 6/1961 Hess, Sr. 220/665
2,991,789 A * 7/1961 Smith et al. 131/257

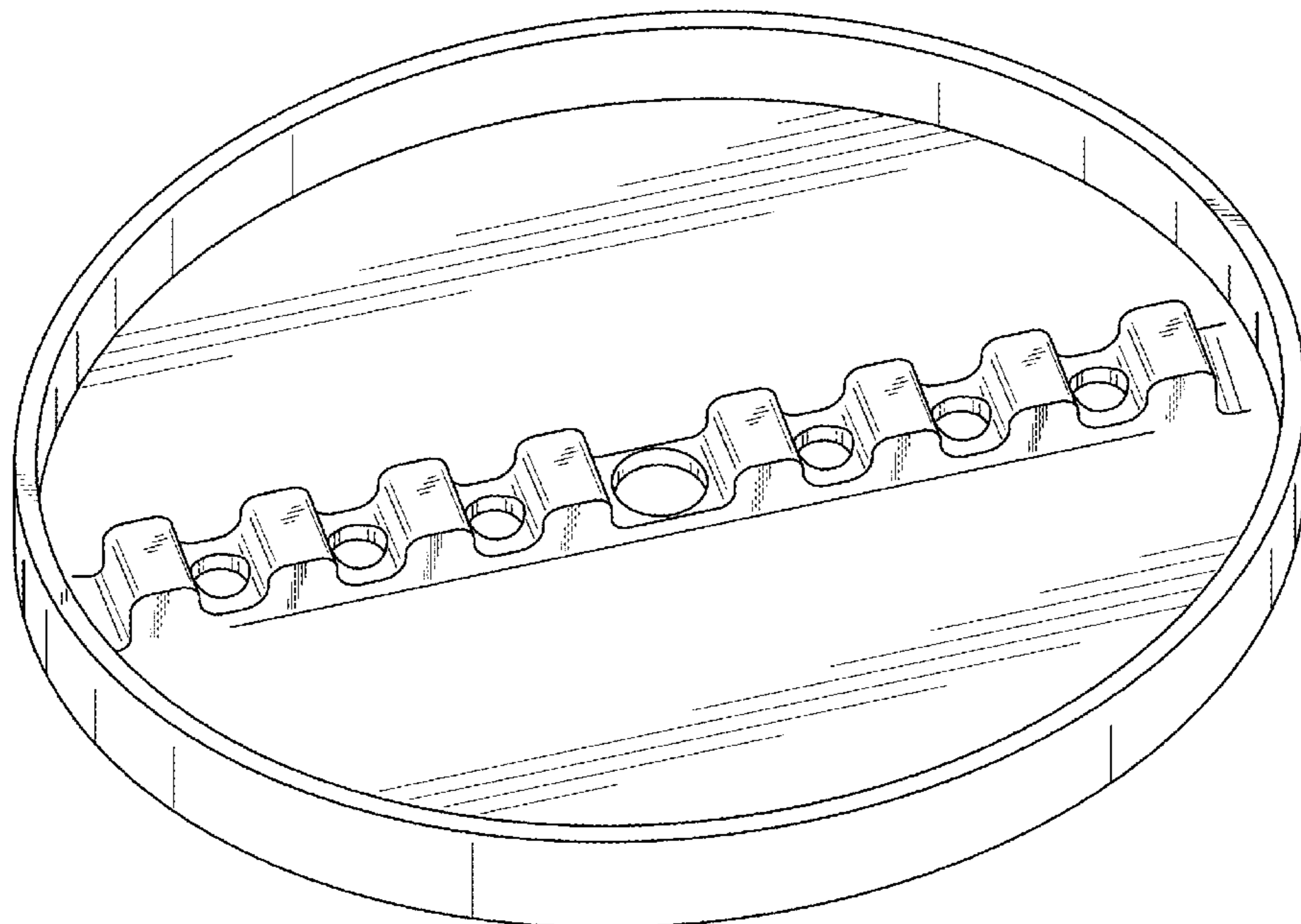
(57) **CLAIM**

The ornamental design for an ashtray with snuffer, as shown and described.

DESCRIPTION

FIG. 1 is a perspective top view of an ashtray with a snuffer, showing my new design;
FIG. 2 is a front view thereof with a rear view, a left side view, and a right side view being mirror images;
FIG. 3 is a top view thereof; and,
FIG. 4 is a bottom view thereof.

1 Claim, 4 Drawing Sheets



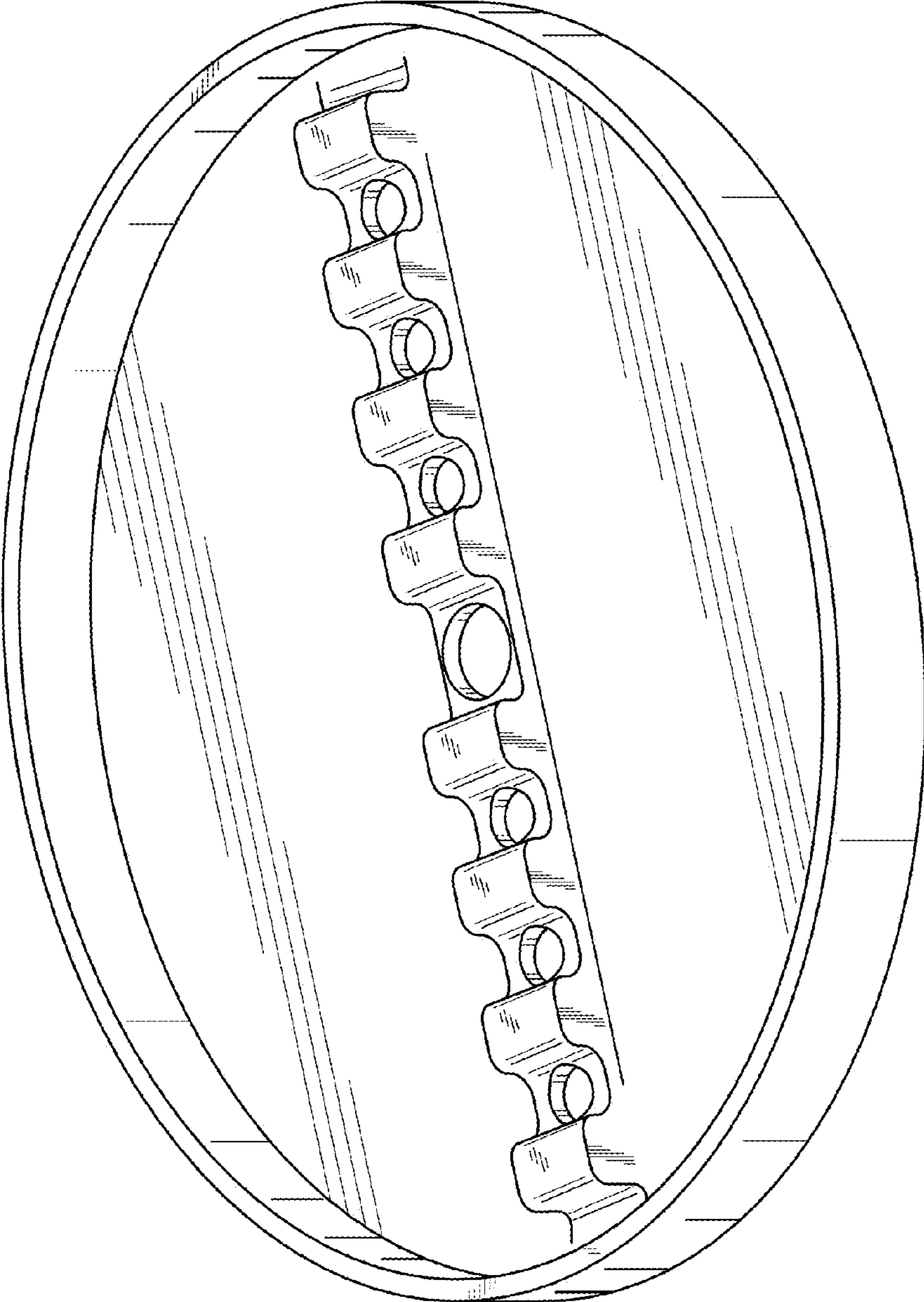


Fig. 1

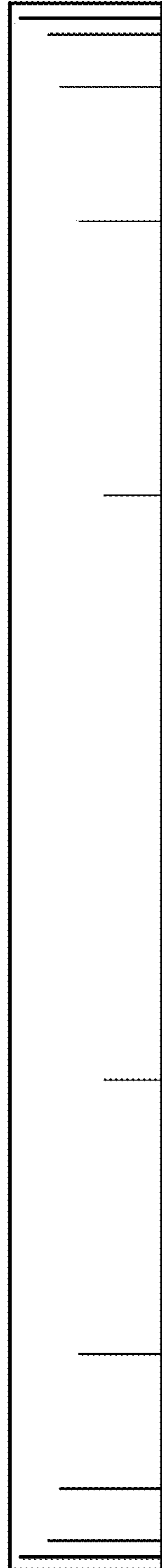


Fig. 2

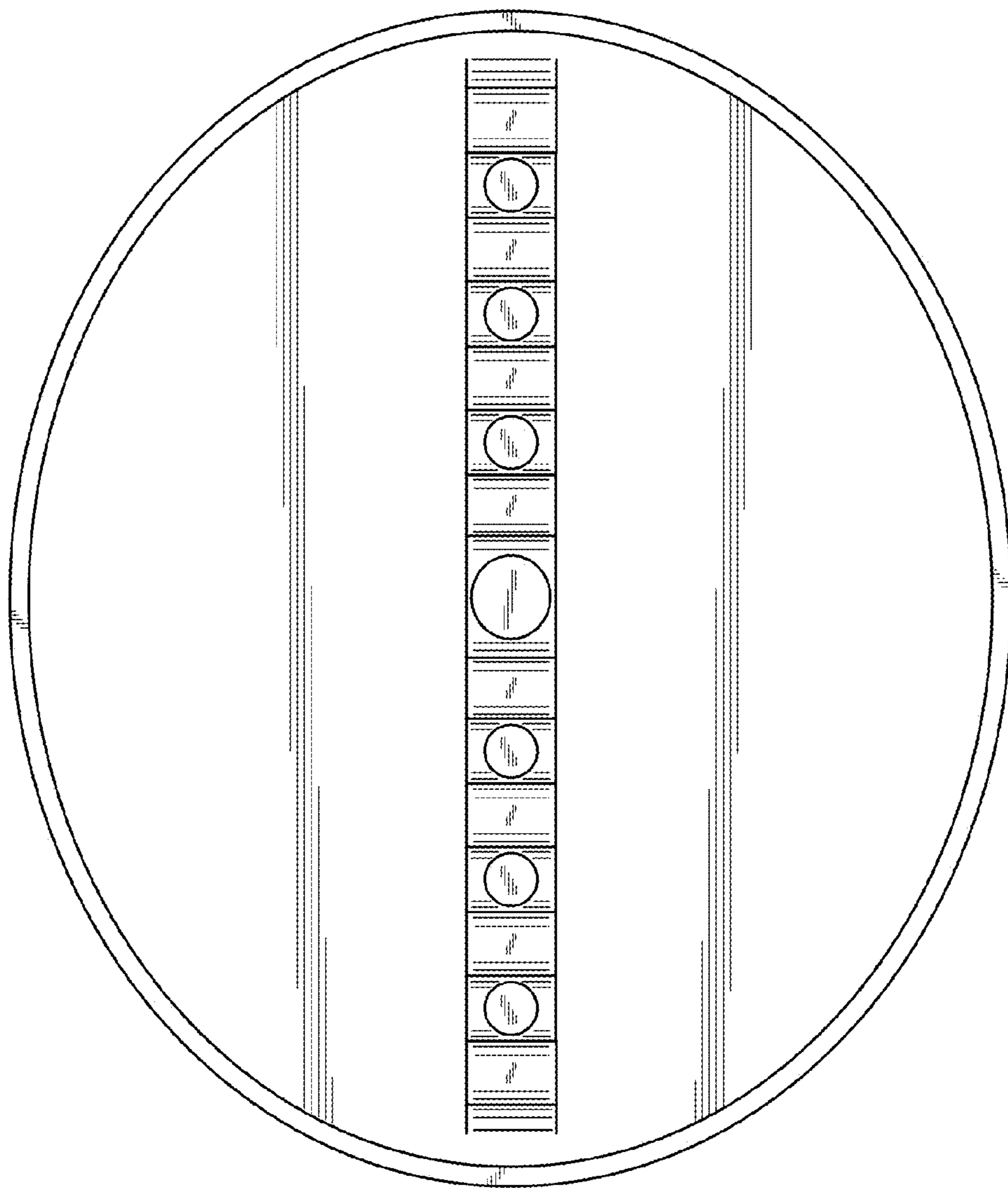


Fig. 3

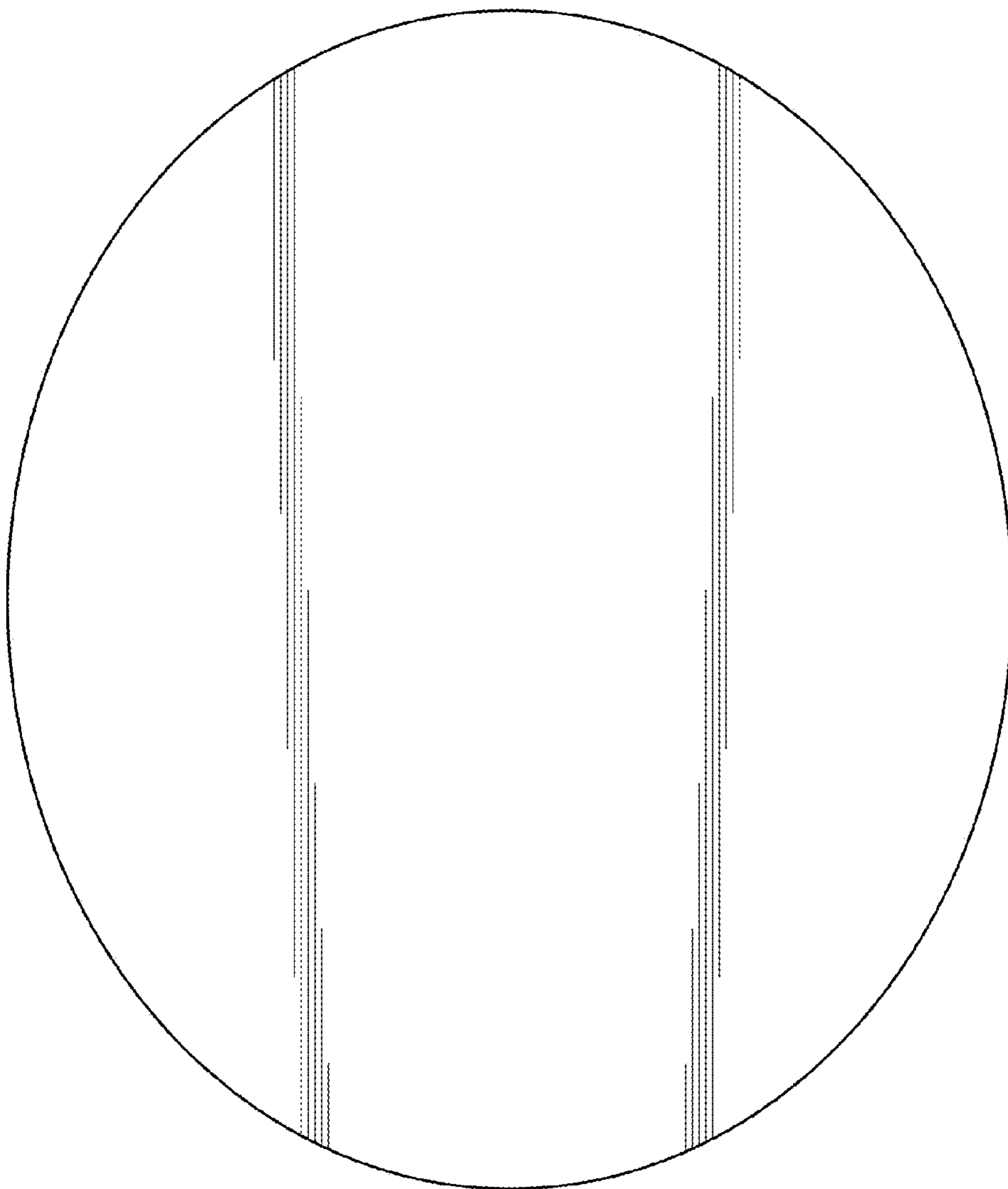


Fig. 4