



US00D677424S

(12) **United States Design Patent**
Parkes et al.

(10) **Patent No.:** **US D677,424 S**
(45) **Date of Patent:** **** Mar. 5, 2013**

(54) **SET OF REAR TAILLIGHT COVERS FOR A RECREATIONAL VEHICLE**

(75) Inventors: **Eric J. Parkes**, Junction City, OR (US);
Patrick Quinn, White Lake, MI (US);
Zachary Whitaker, Detroit, MI (US)

(73) Assignee: **International Truck Intellectual Property Company, LLC**, Lisle, IL (US)

(**) Term: **14 Years**

(21) Appl. No.: **29/397,721**

(22) Filed: **Jul. 20, 2011**

(51) **LOC (9) Cl.** **26-99**

(52) **U.S. Cl.** **D26/139**

(58) **Field of Classification Search** D26/28-36,
D26/139; 362/61, 70-72, 80-83, 329-340,
362/459-468, 475-478, 485-487

See application file for complete search history.

(56) **References Cited**

U.S. PATENT DOCUMENTS

D387,469 S *	12/1997	Saleen	D26/139
D387,471 S *	12/1997	Alger	D26/139
D403,803 S *	1/1999	Alger	D26/139
D487,531 S *	3/2004	Tsai	D26/139
D494,706 S *	8/2004	Tsai	D26/139

* cited by examiner

Primary Examiner — Marcus Jackson

(74) *Attorney, Agent, or Firm* — Jeffrey P. Calfa; Mark C. Bach; Gerald W. Askew

(57) **CLAIM**

The ornamental design for a set of rear taillight covers for a recreational vehicle, as shown and described.

DESCRIPTION

FIG. 1 is a Front And Left Side Perspective view of a right hand embodiment of a set of rear taillight covers for a recreational vehicle showing our new design;

FIG. 2 is a Front And Left Side Perspective view of a left hand embodiment thereof;

FIG. 3 is a Right Side Elevation view of a right hand embodiment thereof;

FIG. 4 is a Left Side Elevation view of a left hand embodiment thereof;

FIG. 5 is a Front Elevation view of a right hand embodiment thereof;

FIG. 6 is a Front Elevation view of a left hand embodiment thereof;

FIG. 7 is a Top Plan view of a right hand embodiment thereof;

FIG. 8 is a Top Plan view of a left hand embodiment thereof;

FIG. 9 is a Rear Side Elevation view of a left hand embodiment thereof; and,

FIG. 10 is a rear side elevation view of a right hand embodiment thereof.

1 Claim, 2 Drawing Sheets



FIG. 1

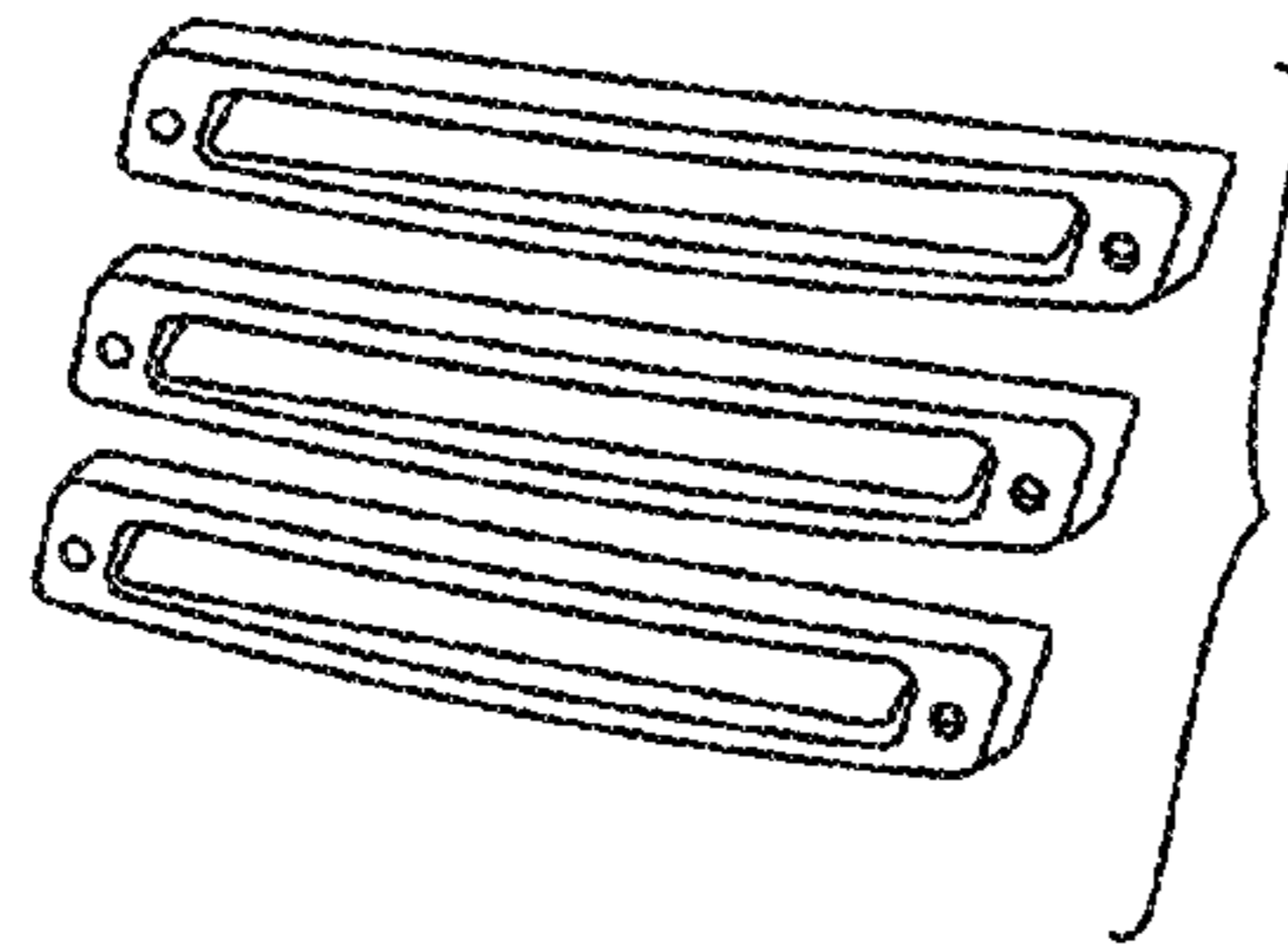


FIG. 2

FIG. 3

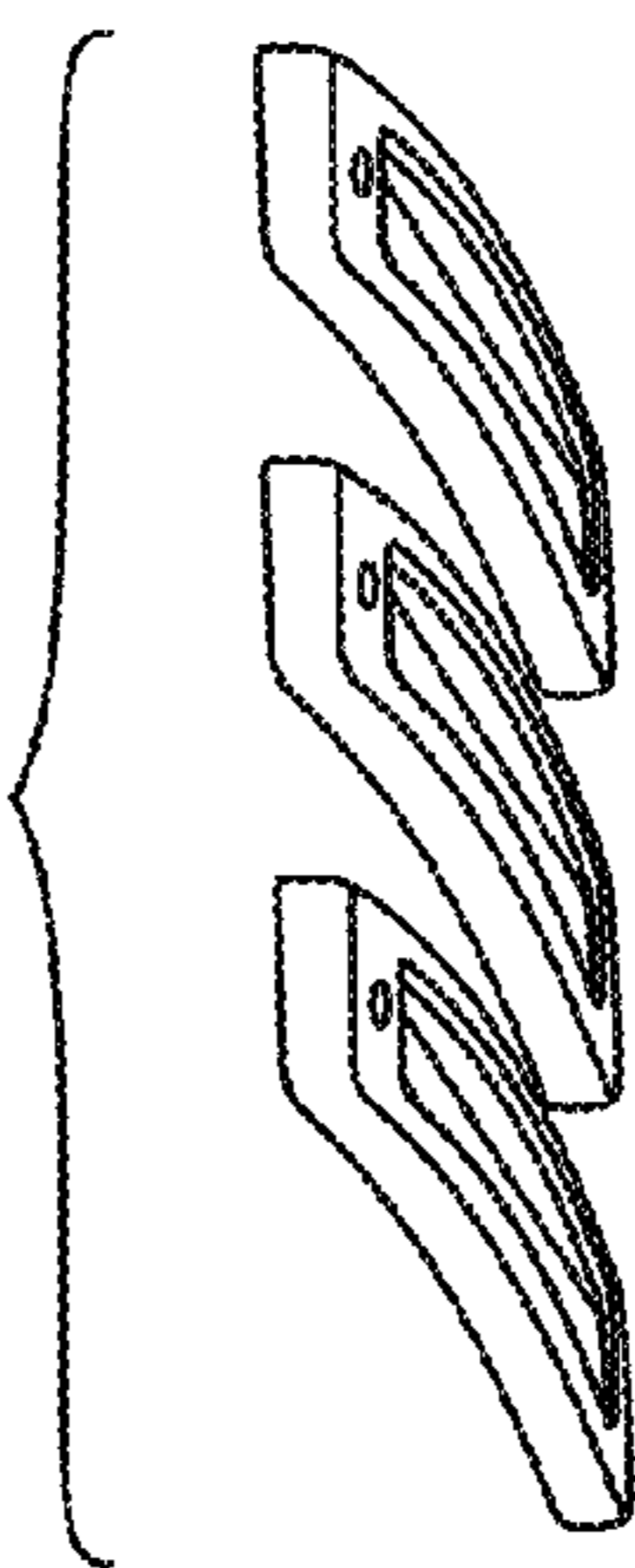
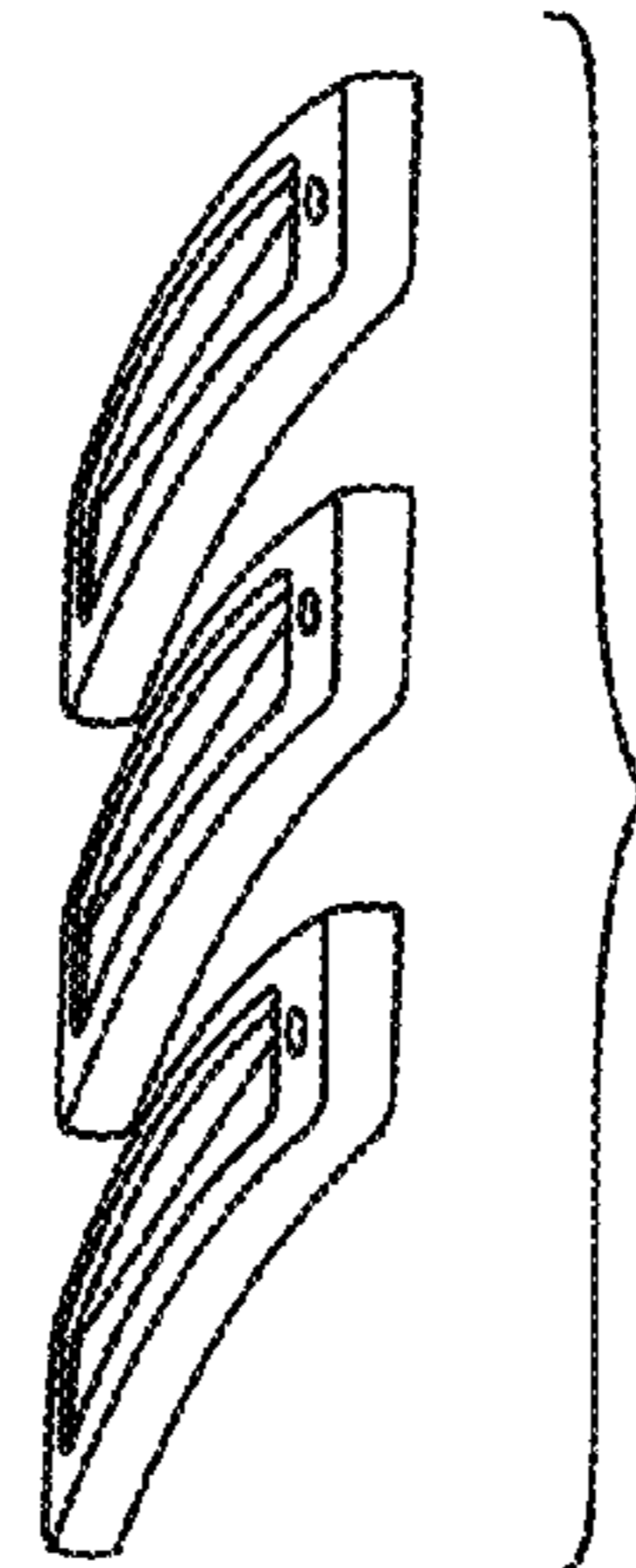


FIG. 4



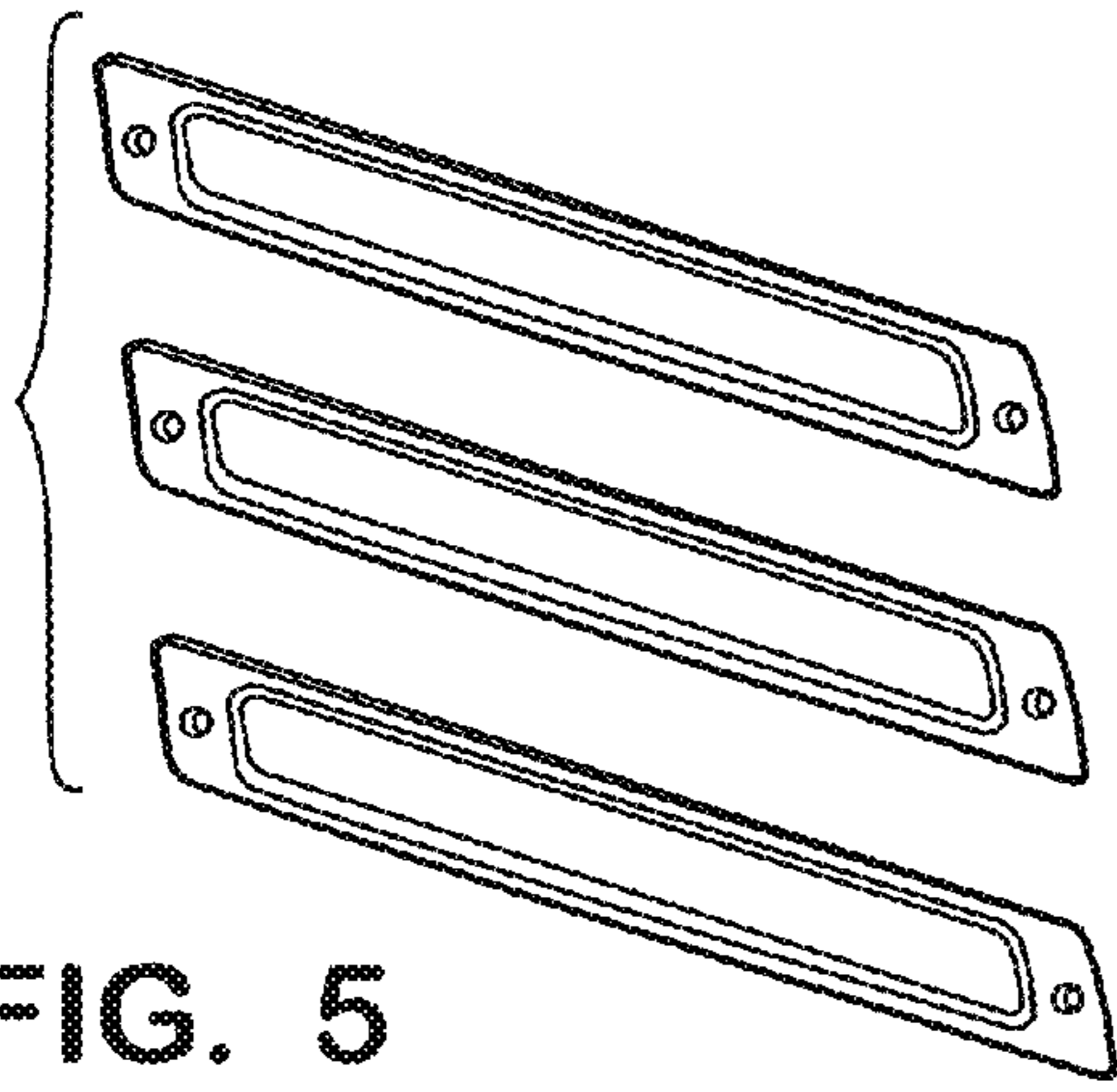


FIG. 5

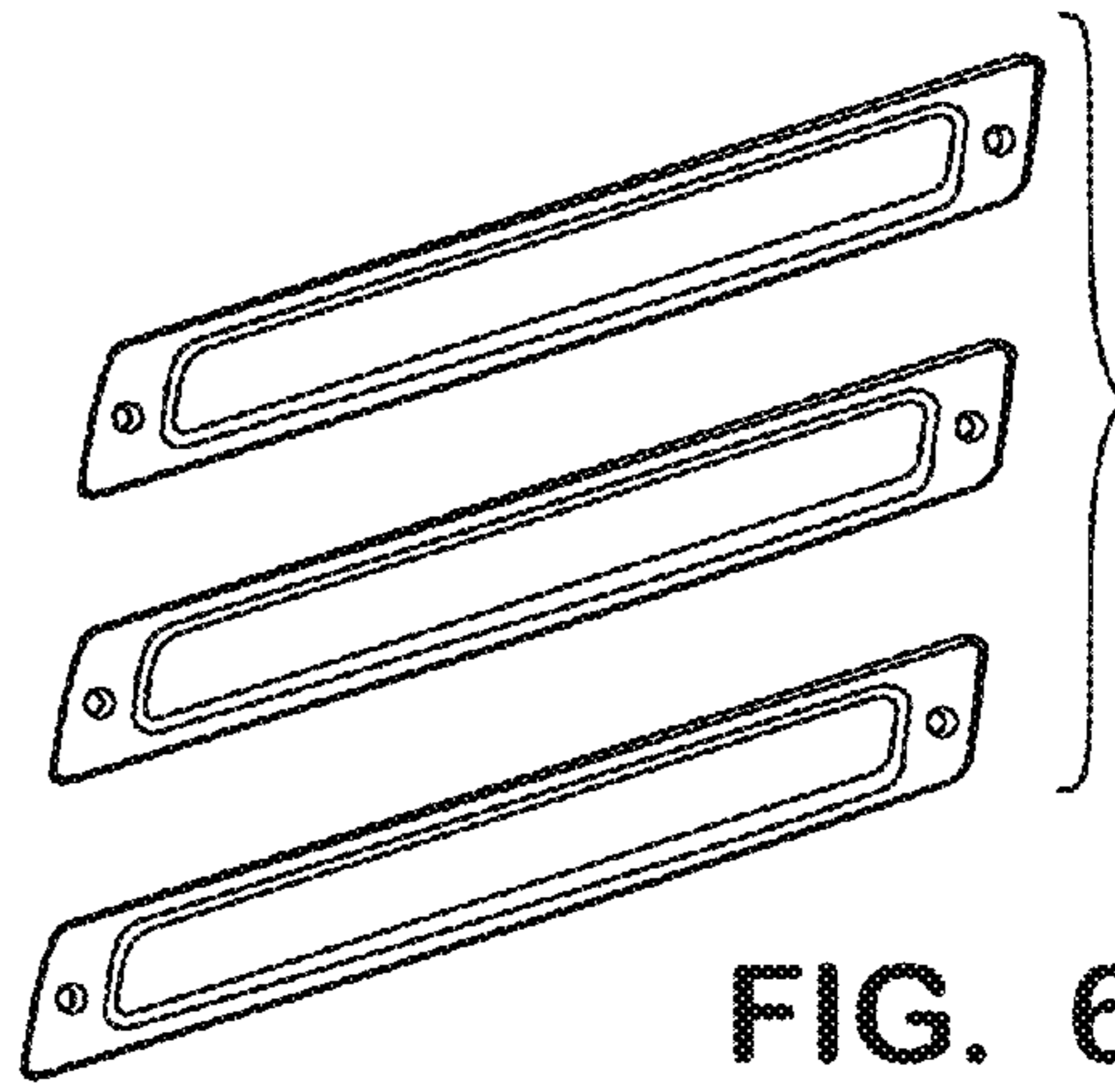


FIG. 6

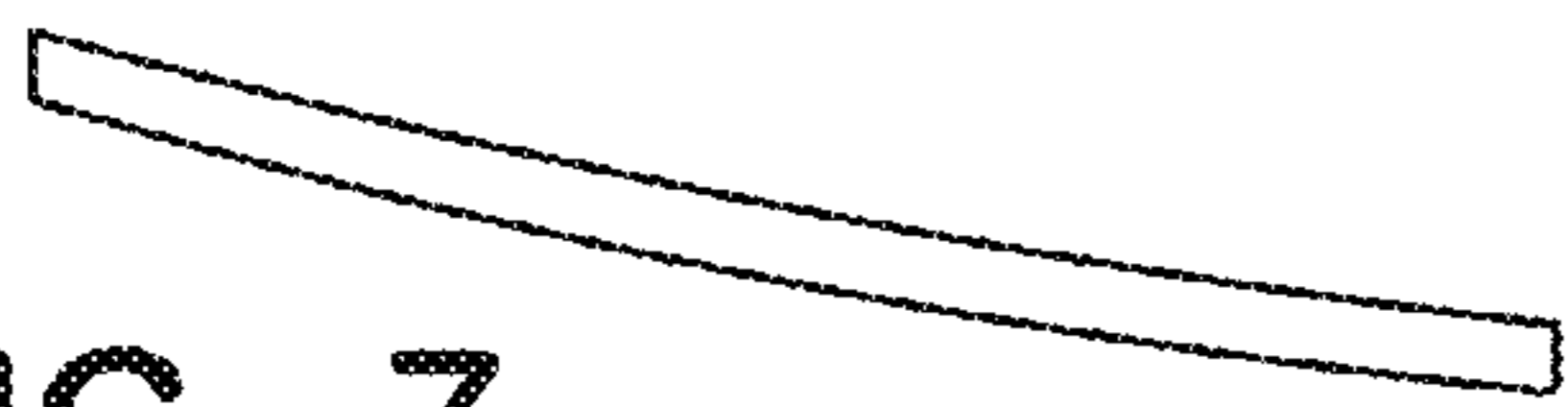


FIG. 7



FIG. 8

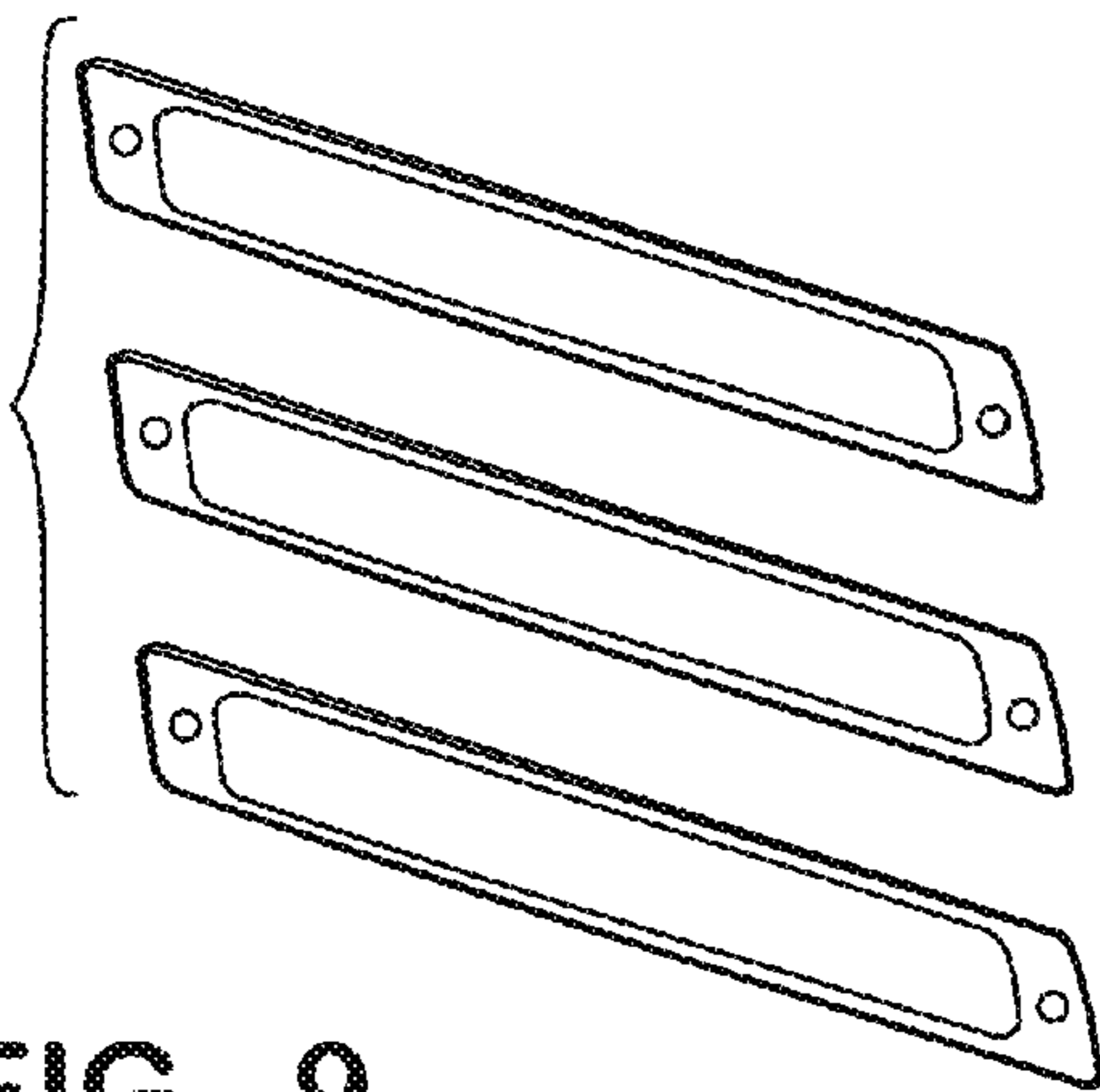


FIG. 9

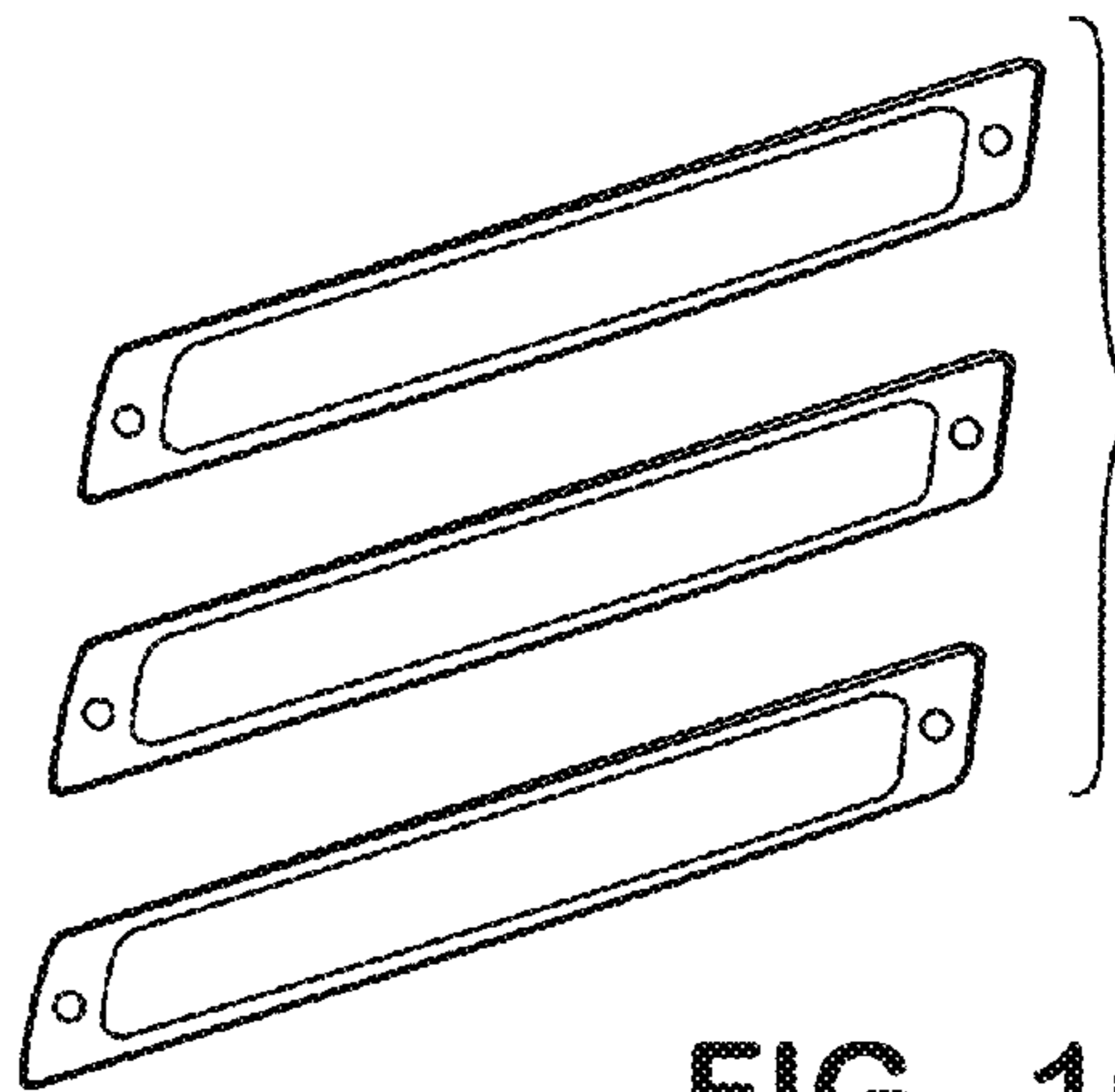


FIG. 10