



US00D677423S

(12) **United States Design Patent**
Reddy

(10) **Patent No.:** **US D677,423 S**
(45) **Date of Patent:** **** Mar. 5, 2013**

(54) **BATHROOM VANITY LIGHT SHADE**

(75) Inventor: **Maureen Reddy**, Winthrop, MA (US)

(73) Assignee: **Maureen Reddy**, Winthrop, MA (US)

(**) Term: **14 Years**

(21) Appl. No.: **29/395,663**

(22) Filed: **Mar. 8, 2012**

(51) **LOC (9) Cl.** **26-99**

(52) **U.S. Cl.** **D26/128**

(58) **Field of Classification Search** D26/1,
D26/2, 118, 113, 138, 119, 120, 121, 122,
D26/76, 77, 75, 78, 85, 86, 89, 90, 62, 64,
D26/65, 66, 63, 73, 72, 74, 68, 71, 28, 123,
D26/124, 127, 128, 129, 134, 135, 132, 139,
D26/154, 155, 152, 149, 148, 145, 143, 142,
D26/140, 141, 153, 144, 91, 92, 29, 24, 26,
D26/8, 114, 37, 87; 362/202, 347, 349, 362,
362/419, 96, 192, 145, 294, 326, 267, 373,
362/249.01-249.12; D13/102, 179, 180
See application file for complete search history.

(56) **References Cited**

U.S. PATENT DOCUMENTS

D128,478 S *	7/1941	Carter, Jr.	D26/91
4,045,665 A *	8/1977	Williams et al.	362/355
D271,861 S *	12/1983	Patton	D20/10
D312,319 S *	11/1990	Kunz	D26/72
D312,842 S *	12/1990	Younger et al.	D20/42
5,207,504 A *	5/1993	Swift et al.	362/260
D378,672 S *	4/1997	Aochi et al.	D12/345
5,624,178 A *	4/1997	Lee, Jr.	362/220
D386,801 S *	11/1997	Orgovan	D26/31
D397,818 S *	9/1998	Herst et al.	D26/76
D446,332 S *	8/2001	Grossman	D26/74

D473,670 S *	4/2003	Kelmelis et al.	D26/74
D491,686 S *	6/2004	Citterio	D26/72
6,796,684 B1 *	9/2004	Beadle	362/287
D544,991 S *	6/2007	Guercio	D26/118
D566,878 S *	4/2008	Duffy et al.	D26/85
D583,978 S *	12/2008	Duffy et al.	D26/85
D584,443 S *	1/2009	Bergmann et al.	D26/85
D584,446 S *	1/2009	Sabernig	D26/88
D614,342 S *	4/2010	Sebastian Pastor	D26/93
D621,989 S *	8/2010	Proner	D26/76
D626,680 S *	11/2010	Verelst	D26/85
D633,641 S *	3/2011	Wauters	D26/85
D638,977 S *	5/2011	Heyrman	D26/85

* cited by examiner

Primary Examiner — Kevin Rudzinski

(57) **CLAIM**

The ornamental design for a bathroom vanity light shade, as shown and described.

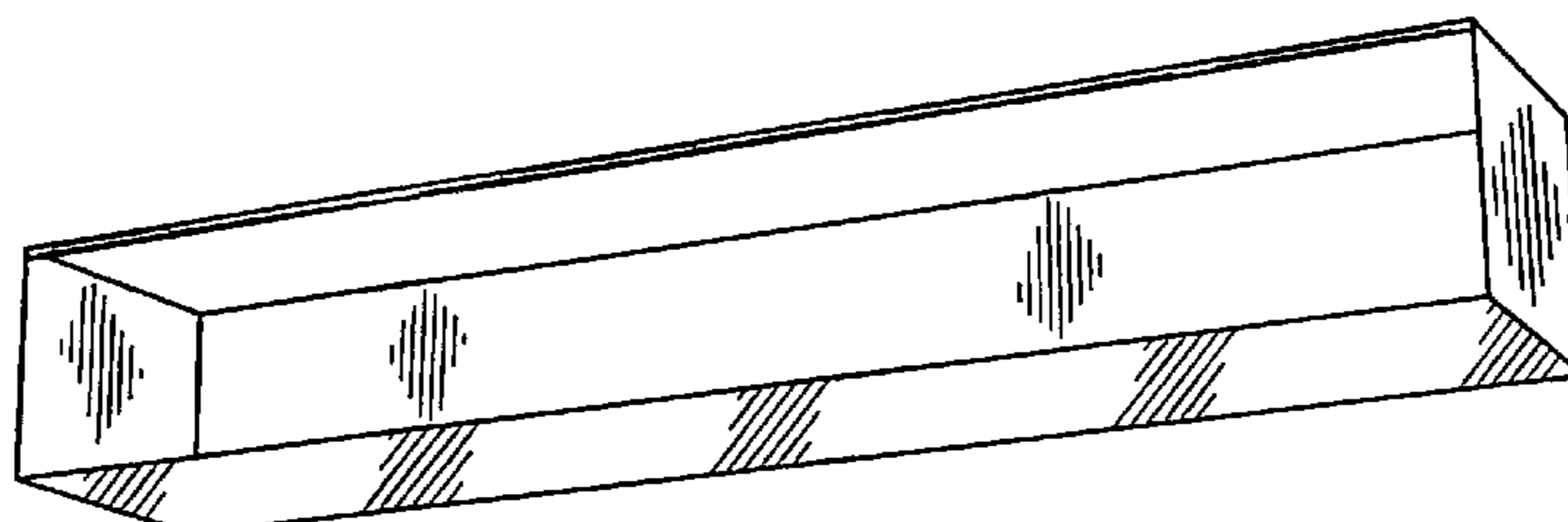
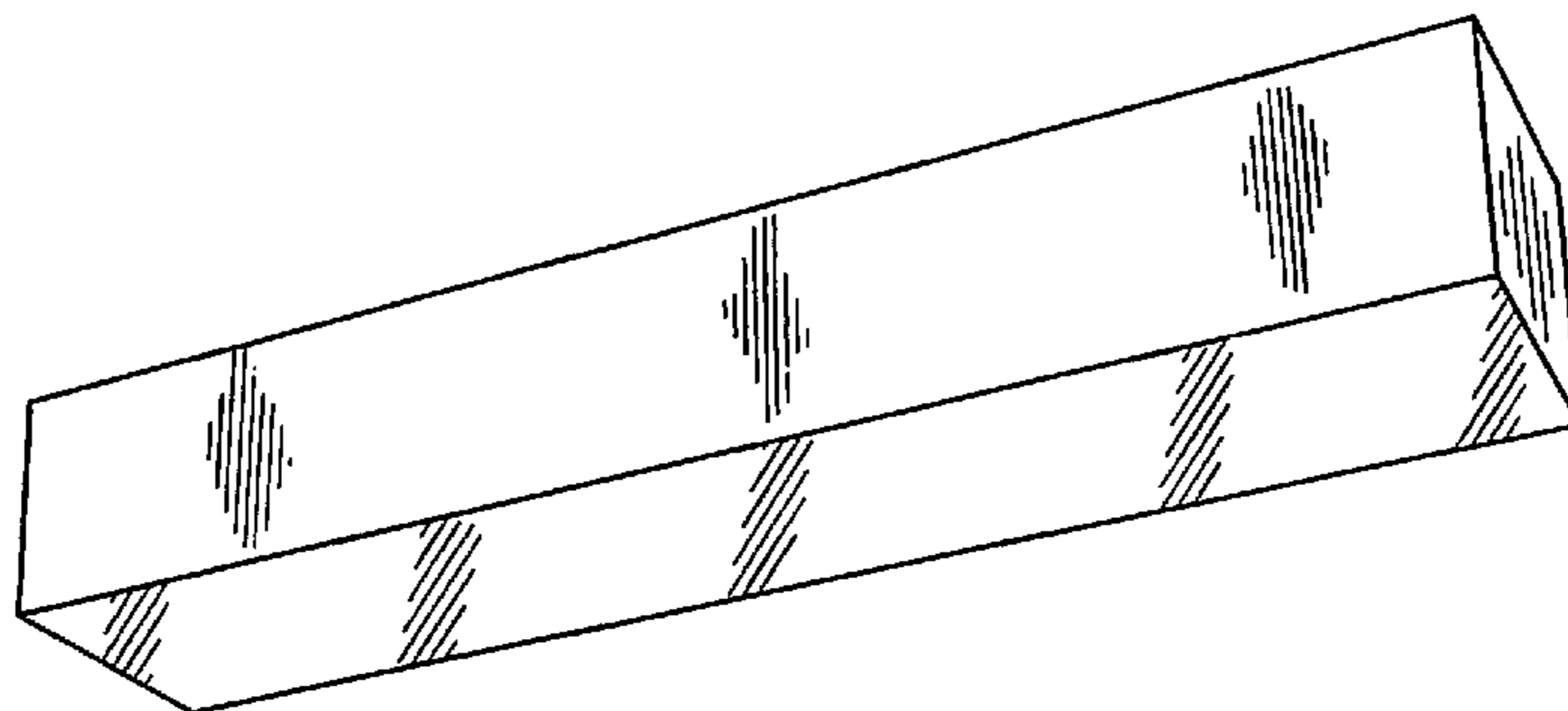
DESCRIPTION

FIG. 1 is a front perspective view from below of a bathroom vanity light shade showing my new design; FIG. 2 is a rear perspective view from below thereof; FIG. 3 is a front perspective view from above thereof; FIG. 4 is an enlarged view of the identified area in FIG. 3; and, FIG. 5 is a front perspective view from above thereof.

The broken lines shown in the drawings illustrate portions of the vanity light shade and environmental structures that form no part of the claimed design.

The bathroom vanity light shade is an ornamental fixture consisting of a rectangular, metal rod skeleton, wrapped in fabric on three sides (front side, left side, right side), with a stationary acrylic diffuser bottom. The bathroom vanity light shade mounts on the wall with top/back exposed mounting rod.

1 Claim, 3 Drawing Sheets



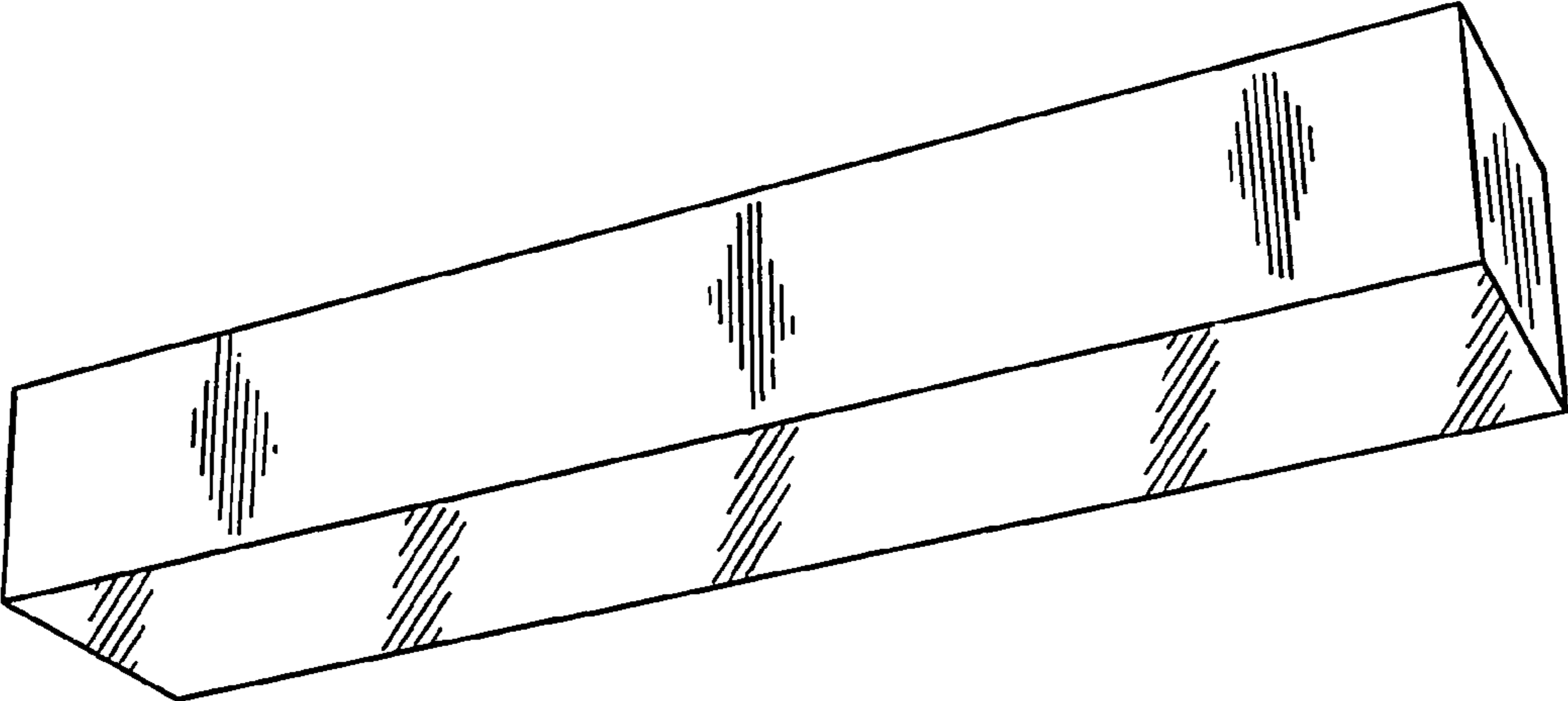


FIG. 1

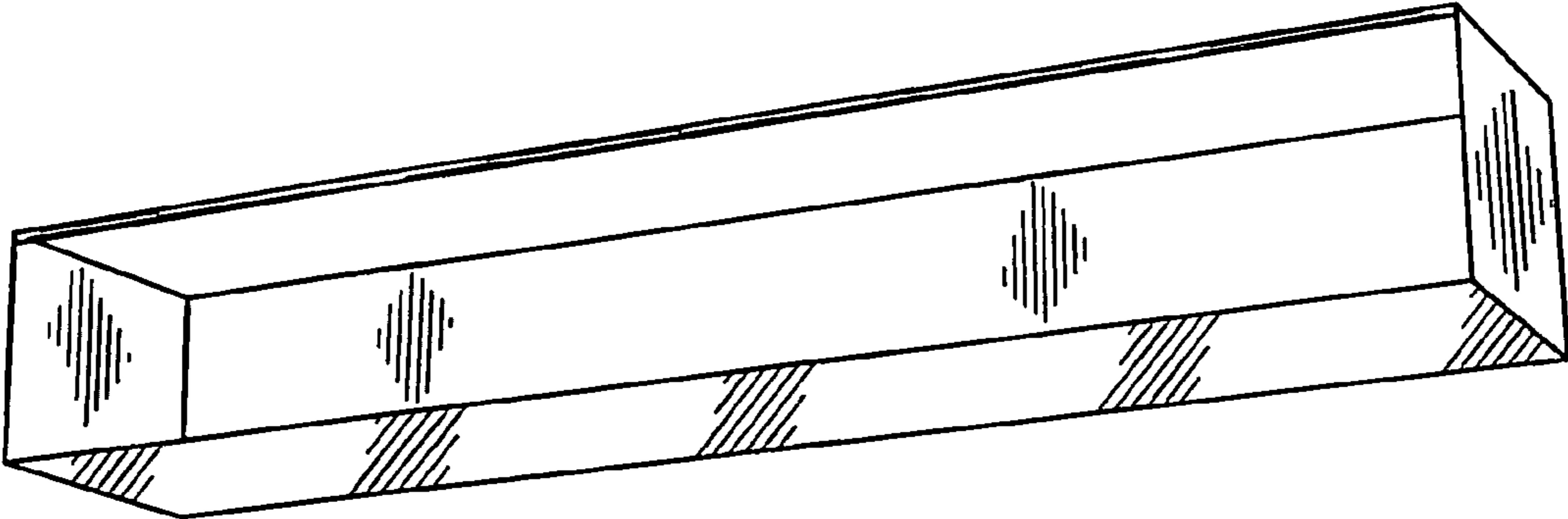


FIG. 2

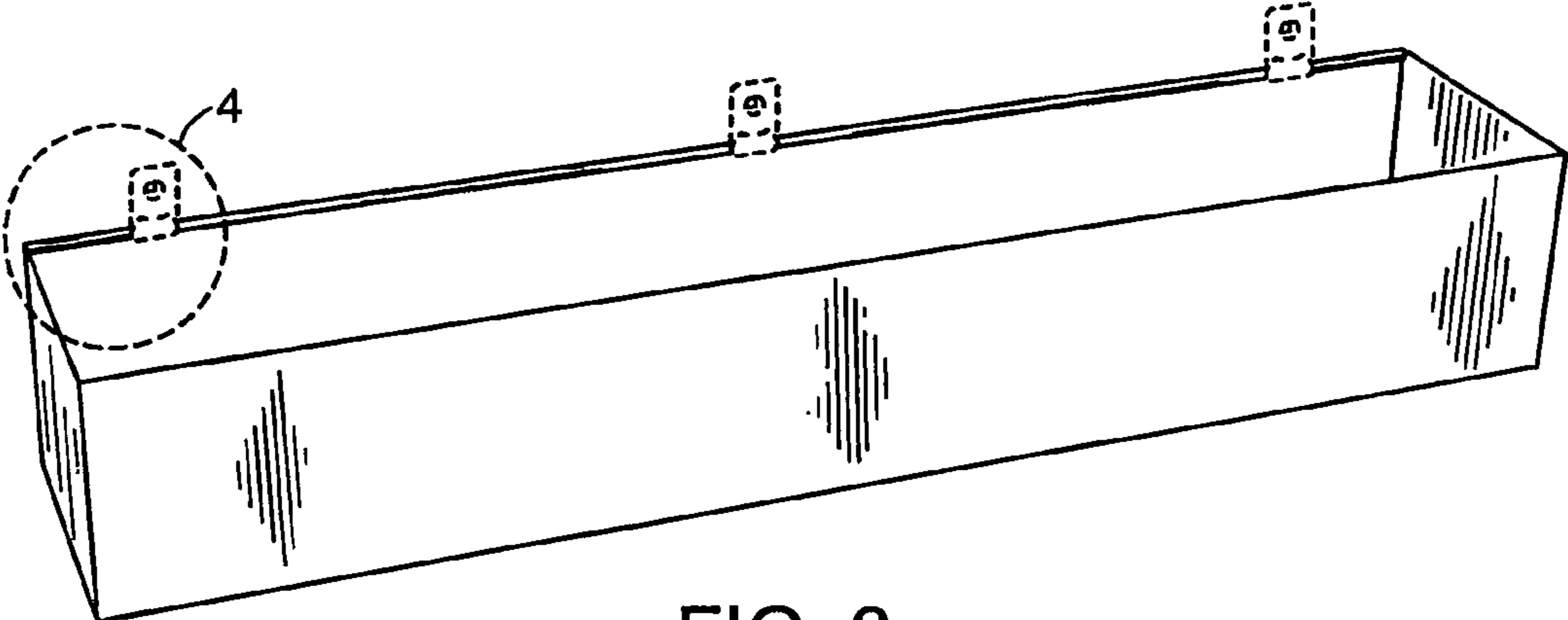


FIG. 3

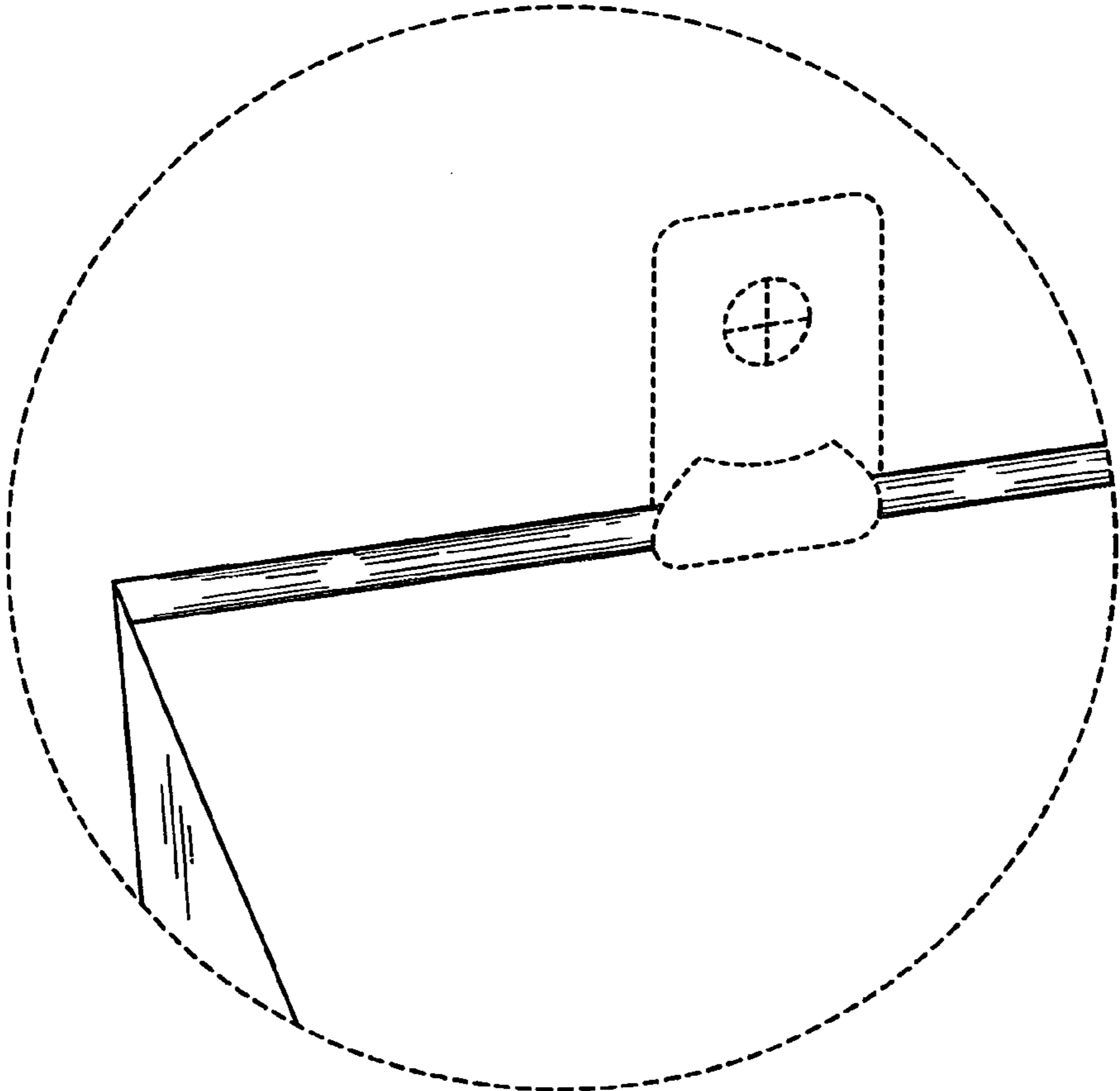


FIG. 4

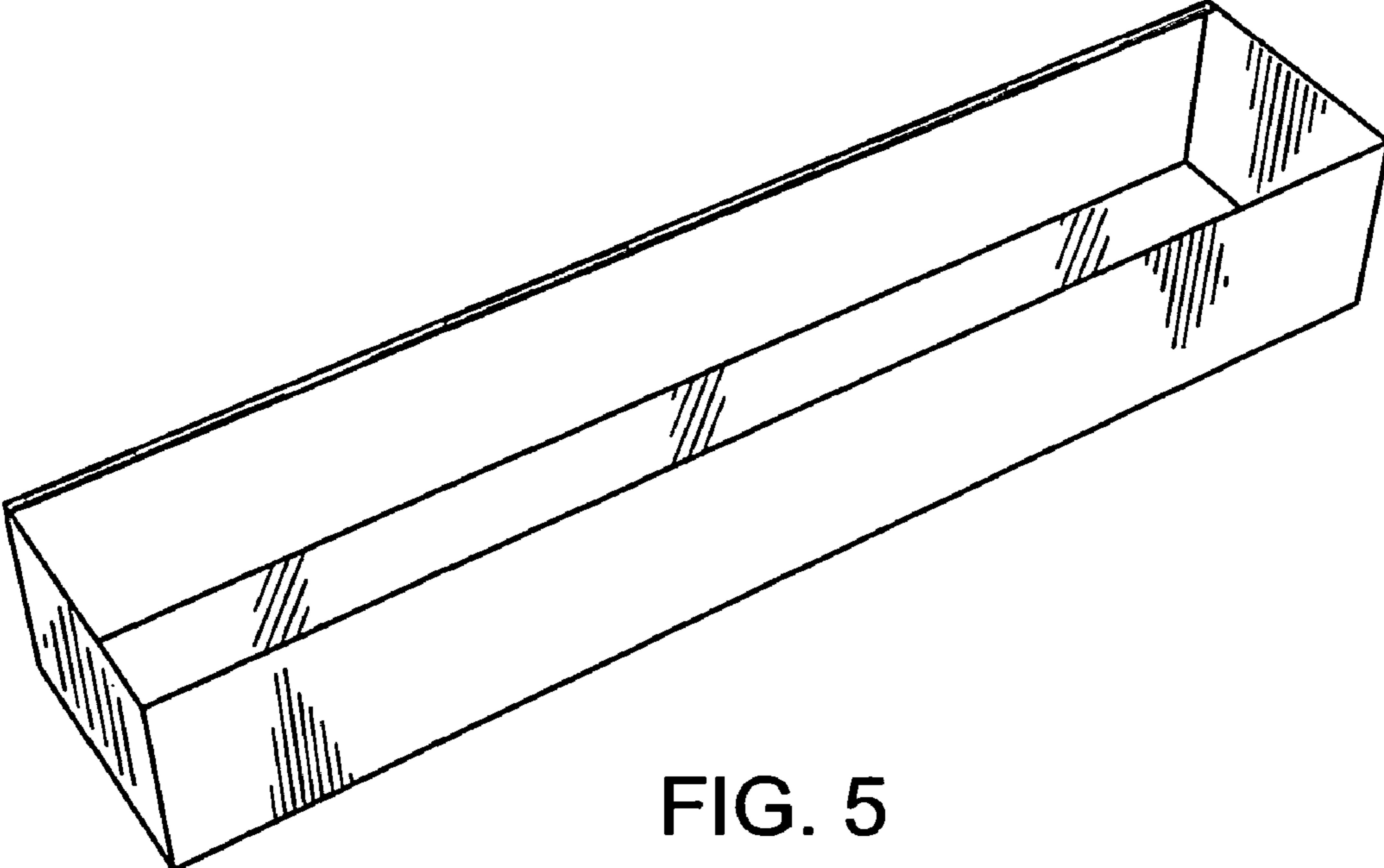


FIG. 5

(12) INTER PARTES REVIEW CERTIFICATE (851st)

**United States Patent
Reddy**

**(10) Number: US D677,423 K1
(45) Certificate Issued: Feb. 21, 2018**

(54) BATHROOM VANITY LIGHT SHADE

(75) Inventor: Maureen Reddy

(73) Assignee: Maureen Reddy

Trial Number:

IPR2015-00306 filed Nov. 25, 2014

Inter Partes Review Certificate for:

Patent No.: **D677,423**

Issued: **Mar. 5, 2013**

Appl. No.: **29/395,663**

Filed: **Mar. 8, 2012**

The results of IPR2015-00306 are reflected in this inter partes review certificate under 35 U.S.C. 318(b).

INTER PARTES REVIEW CERTIFICATE
U.S. Patent D677,423 K1
Trial No. IPR2015-00306
Certificate Issued Feb. 21, 2018

1

2

AS A RESULT OF THE INTER PARTES
REVIEW PROCEEDING, IT HAS BEEN
DETERMINED THAT:

The claim is cancelled.

5

* * * * *