



US00D677418S

(12) **United States Design Patent**
Wilson et al.

(10) **Patent No.:** **US D677,418 S**
(45) **Date of Patent:** **** Mar. 5, 2013**

(54) **CEILING MOUNTED LUMINAIRE**

(75) Inventors: **Andrew Wilson**, Brighton, MA (US);
Sara Lincoln, Somerville, MA (US);
Sarah Bazydola, Belmont, MA (US);
Tom Mollnow, Clearwater, FL (US);
Steven King, Newburyport, MA (US)

(73) Assignee: **Osram Sylvania Inc.**, Danvers, MA (US)

(**) Term: **14 Years**

(21) Appl. No.: **29/422,220**

(22) Filed: **May 17, 2012**

(51) **LOC (9) Cl.** **26-05**

(52) **U.S. Cl.** **D26/74**

(58) **Field of Classification Search** D26/74,
D26/72, 75, 76, 77, 78, 79, 113, 118, 120,
D26/122, 138, 141, 152, 24; 362/482, 145,
362/147, 148, 150, 151, 152, 153, 153.1,
362/218, 217.02, 217.03, 217.05, 217.07,
362/217.08, 217.09, 217.1, 217.11, 217.14,
362/217.15, 342, 346, 347, 364, 365, 366,
362/800, 260, 279, 280, 290, 291, 292, 294,
362/296.01, 297, 298, 299, 300, 301, 310,
362/296.07, 311.02, 311.01, 311.09; D5/54,
D5/58; D13/180

See application file for complete search history.

(56) **References Cited**

U.S. PATENT DOCUMENTS

4,972,339	A *	11/1990	Gabrius	362/366
D328,650	S *	8/1992	Jones	D26/85
5,505,419	A *	4/1996	Gabrius	248/343
6,474,846	B1 *	11/2002	Kelmelis et al.	362/365
D469,212	S *	1/2003	Chiu	D26/118
D599,951	S *	9/2009	Pickard et al.	D26/138
7,744,256	B2	6/2010	Smester	
D628,737	S *	12/2010	van den Akker	D26/89

D633,636	S *	3/2011	Gielen	D26/74
D663,881	S *	7/2012	Janssen	D26/74
8,240,630	B2 *	8/2012	Wronski	248/343
2003/0142499	A1 *	7/2003	Chiu	362/368
2005/0002184	A1 *	1/2005	Kotovskiy	362/147
2006/0176683	A1 *	8/2006	Chien	362/153

* cited by examiner

Primary Examiner — Angela J Lee

(74) *Attorney, Agent, or Firm* — Shaun P. Montana

(57) **CLAIM**

The ornamental design for a ceiling mounted luminaire, as shown and described.

DESCRIPTION

This invention was made with U.S. Government support under DOE Cooperative Agreement No. DE-EE0003241, awarded by the U.S. Department of Energy. The U.S. Government may have certain rights in this invention.

The present application is related to co-pending U.S. Design patent application Ser. No. 29/422,211, entitled "Interior Frame for Solid State Light Source Luminaire" and filed on May 17, 2012, the entire contents of which are hereby incorporated by reference.

FIG. 1 is a perspective view of an embodiment of the ornamental design of a ceiling mounted luminaire.

FIG. 2 is a left view of an embodiment of the ornamental design of a ceiling mounted luminaire.

FIG. 3 is a front view of an embodiment of the ornamental design of a ceiling mounted luminaire.

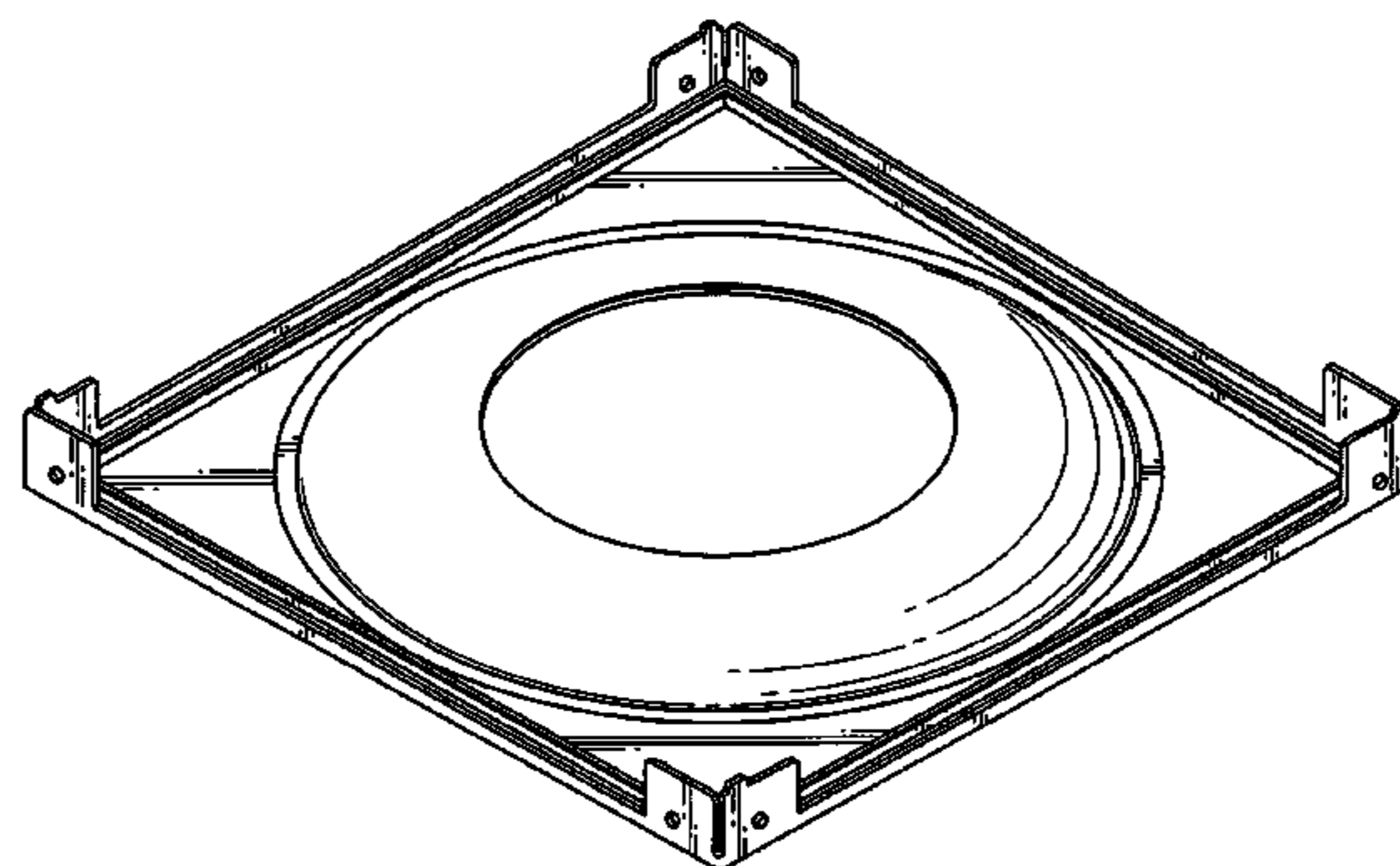
FIG. 4 is a right view of an embodiment of the ornamental design of a ceiling mounted luminaire.

FIG. 5 is a back view of an embodiment of the ornamental design of a ceiling mounted luminaire.

FIG. 6 is a top view of an embodiment of the ornamental design of a ceiling mounted luminaire; and,

FIG. 7 is a bottom view of an embodiment of the ornamental design for a ceiling mounted luminaire.

1 Claim, 4 Drawing Sheets



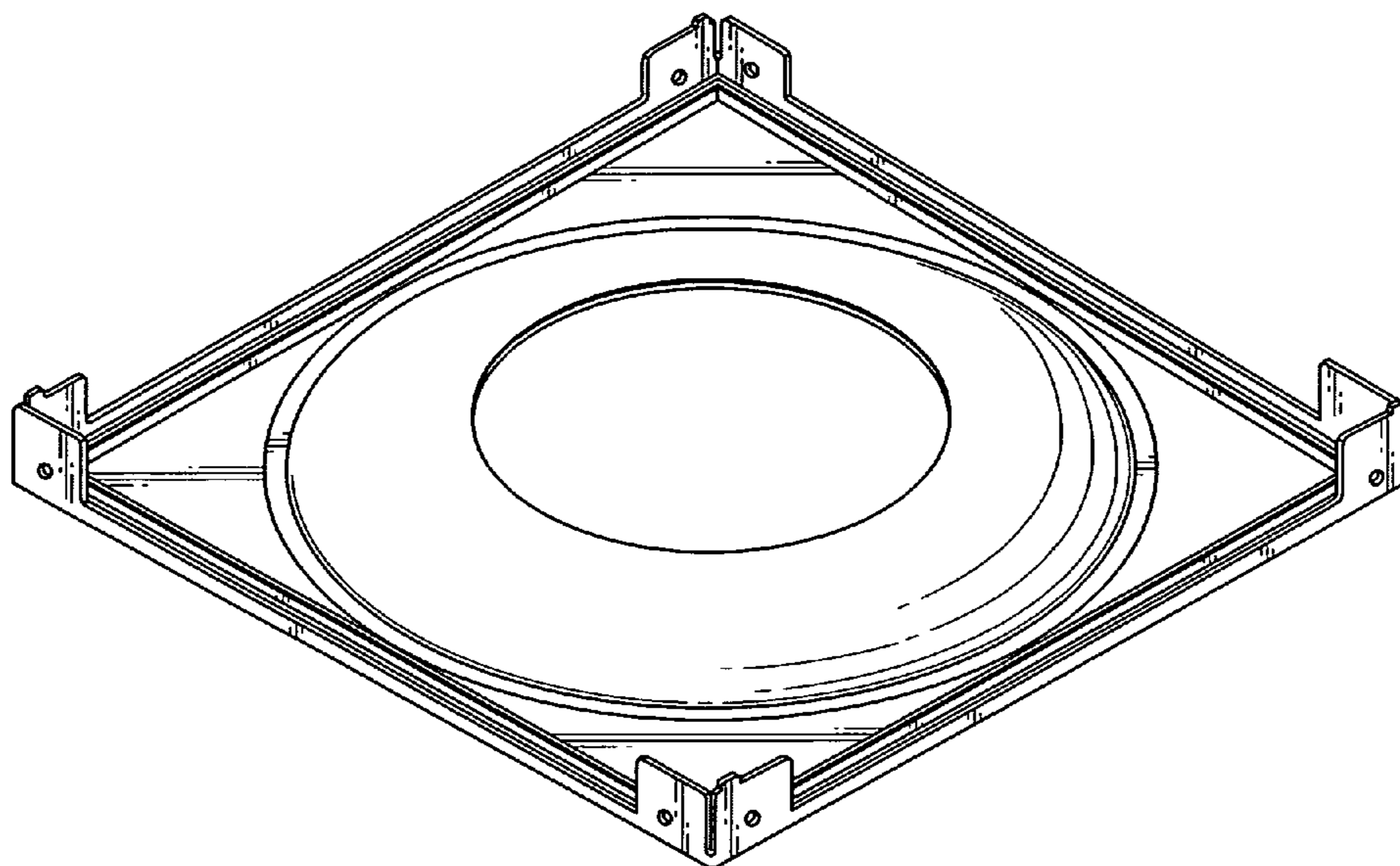


FIG. 1

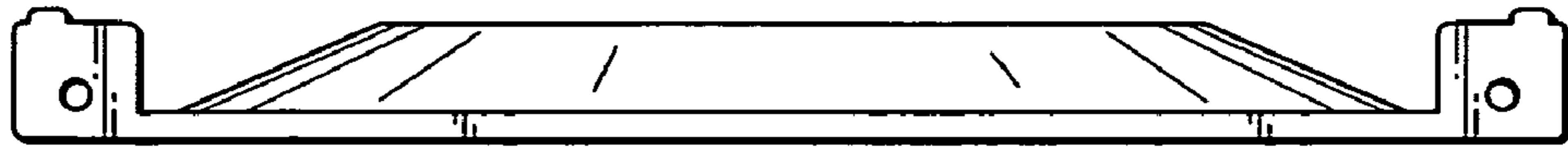


FIG. 2

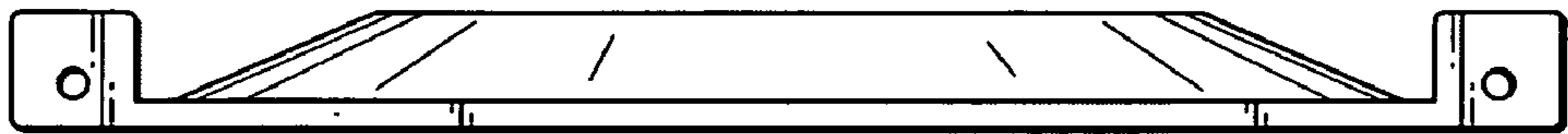


FIG. 3

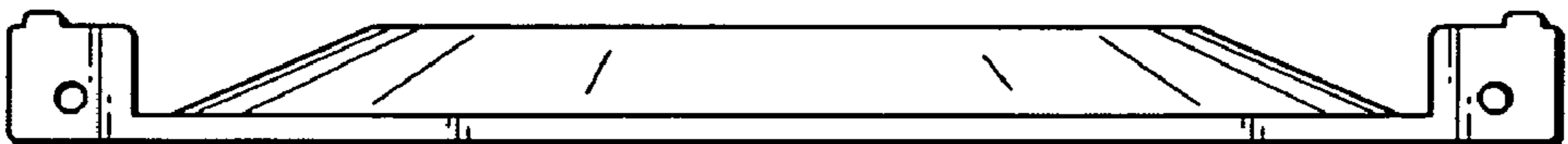


FIG. 4



FIG. 5

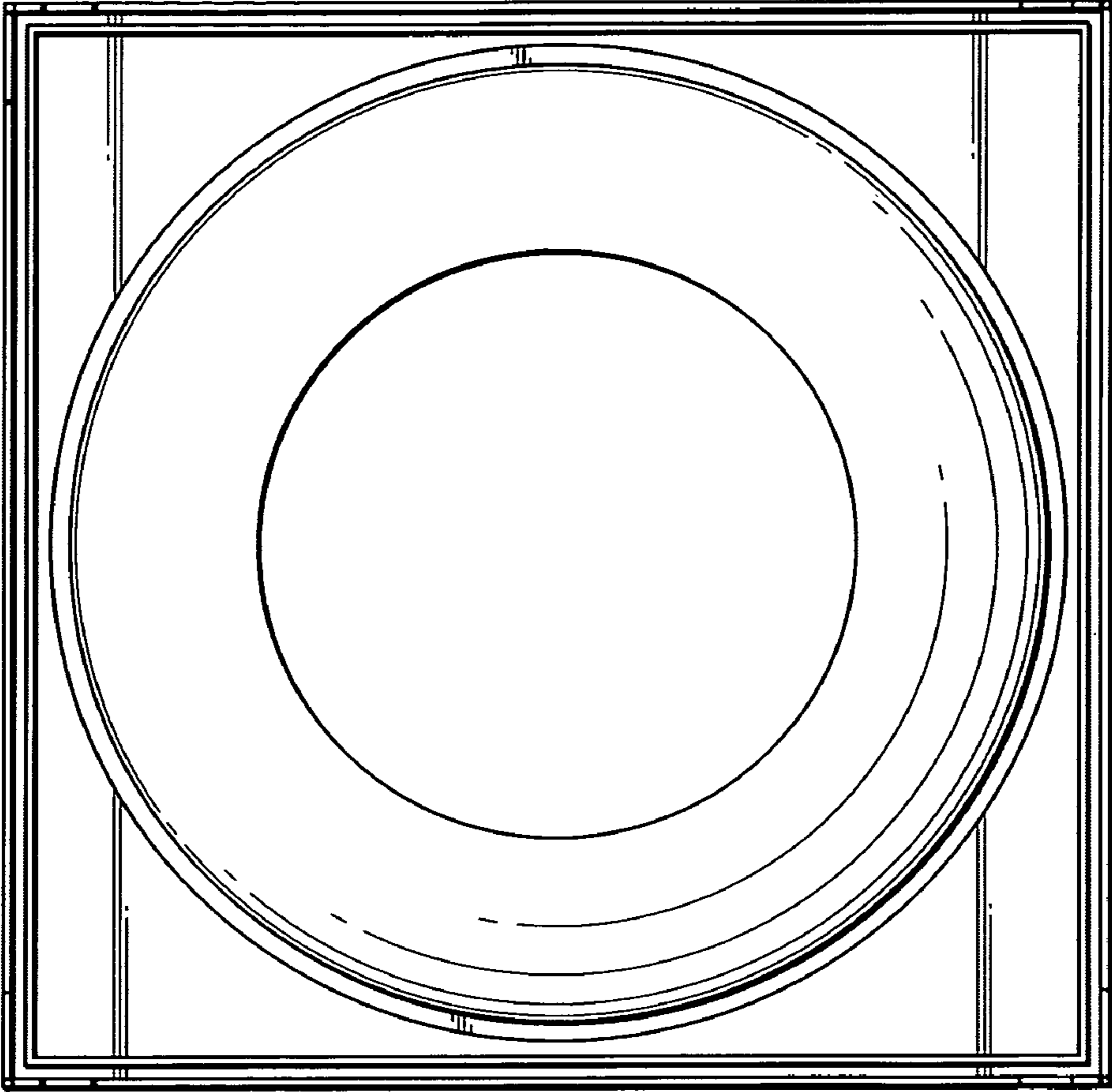


FIG. 6

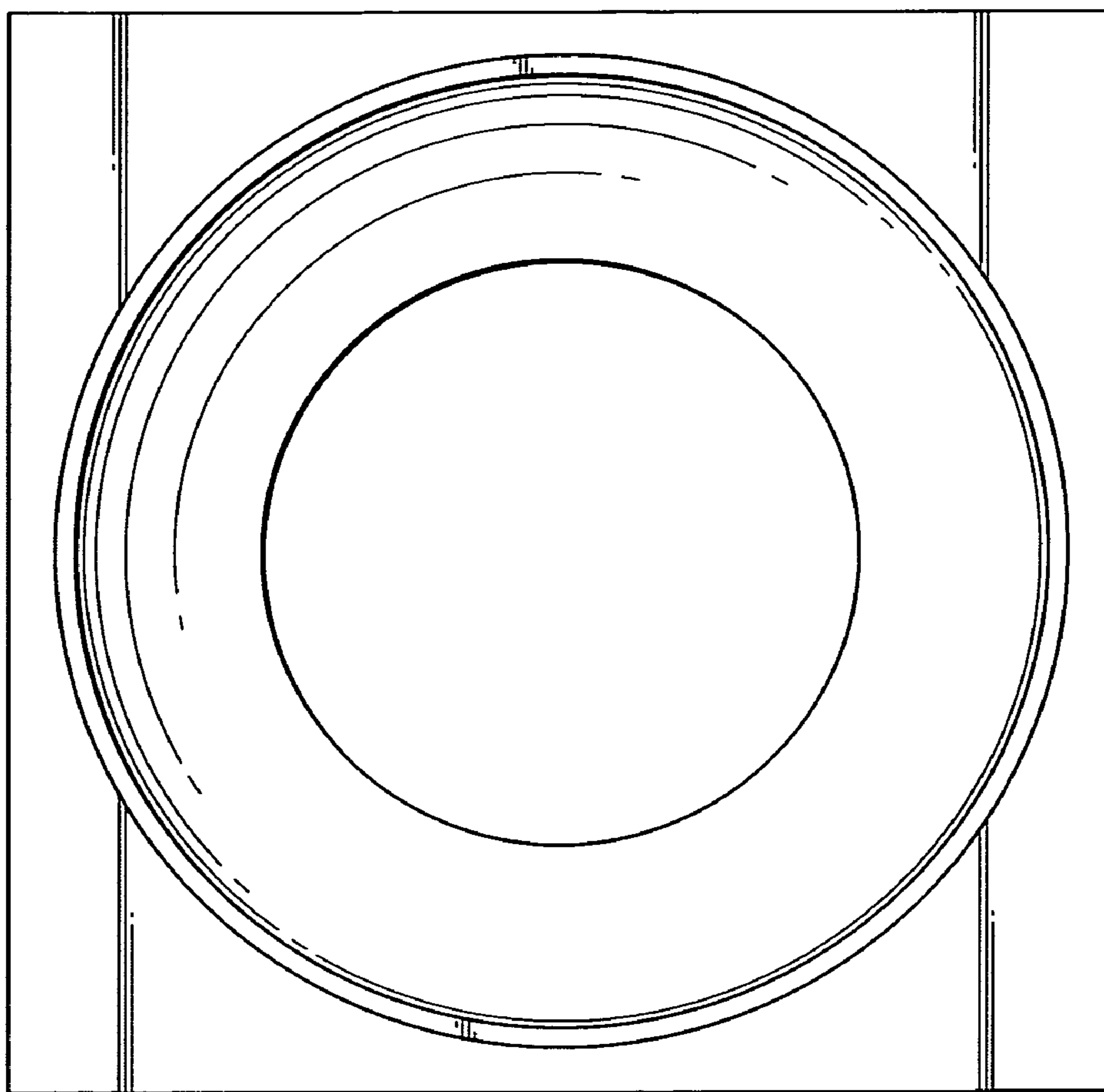


FIG. 7