



US00D677417S

(12) **United States Design Patent**
Rashidi

(10) **Patent No.:** **US D677,417 S**
(45) **Date of Patent:** **** Mar. 5, 2013**

- (54) **RETROFIT LED LUMINAIRE**
- (76) Inventor: **Hamid Rashidi**, Montebello, CA (US)
- (**) Term: **14 Years**
- (21) Appl. No.: **29/374,831**
- (22) Filed: **Oct. 12, 2011**

Primary Examiner — Angela J Lee
(74) *Attorney, Agent, or Firm* — Thomas I. Rozsz

(57) **CLAIM**
The ornamental design for a retrofit LED luminaire, as shown and described.

DESCRIPTION

Related U.S. Application Data

- (62) Division of application No. 12/590,530, filed on Nov. 9, 2009.
- (51) **LOC (9) Cl.** **26-05**
- (52) **U.S. Cl.** **D26/74**
- (58) **Field of Classification Search** D26/74, D26/72, 113, 118, 133, 134, 136, 24, 59, D26/63, 75, 76, 77, 78, 79, 80, 81, 82, 83, D26/84, 85, 138; 362/126, 145, 146, 147, 362/148, 150, 151, 152, 153, 153.1, 218, 362/217.05, 217.06, 217.07, 294, 296.01, 362/296.07, 296.08, 311.01, 311.07, 311.09, 362/345, 364, 365, 366, 373
See application file for complete search history.

FIG. 1 is a perspective view of the retrofit LED luminaire, showing my new design;
 FIG. 2 is a left side elevation view thereof;
 FIG. 3 is bottom plan view thereof;
 FIG. 4A is an exploded view of, from the top downward, a top plate, a driver and a top plate of the present invention;
 FIG. 4B is an exploded view of, from the top downward, a heat dissipation structure and an LED chip, wherein the heat dissipation structure includes upper and lower members of the present invention;
 FIG. 4C is an exploded view of, from the top downward, an optic, a lens and a bottom combined reflector, baffle and trim ring of the present invention;
 FIG. 5 is a perspective view of the heat dissipation structure wherein the upper and lower members are combined together;
 FIG. 6 is a rear elevation view of the retrofit LED luminaire taken from FIG. 1;
 FIG. 7 is a front elevation view of the retrofit LED luminaire taken from FIG. 1;
 FIG. 8 is a side elevation view of the retrofit LED luminaire when viewed from the right side of FIG. 1, and which is a mirror image of FIG. 2;
 FIG. 9 is a top plan view of the retrofit LED luminaire taken from FIG. 1; and,
 FIG. 10 is a bottom perspective view of the retrofit LED luminaire taken from a combination of FIG. 1 and FIG. 4C.
 The broken lines shown in the drawings represent portions of the retrofit LED luminaire that form no part of the claimed design.

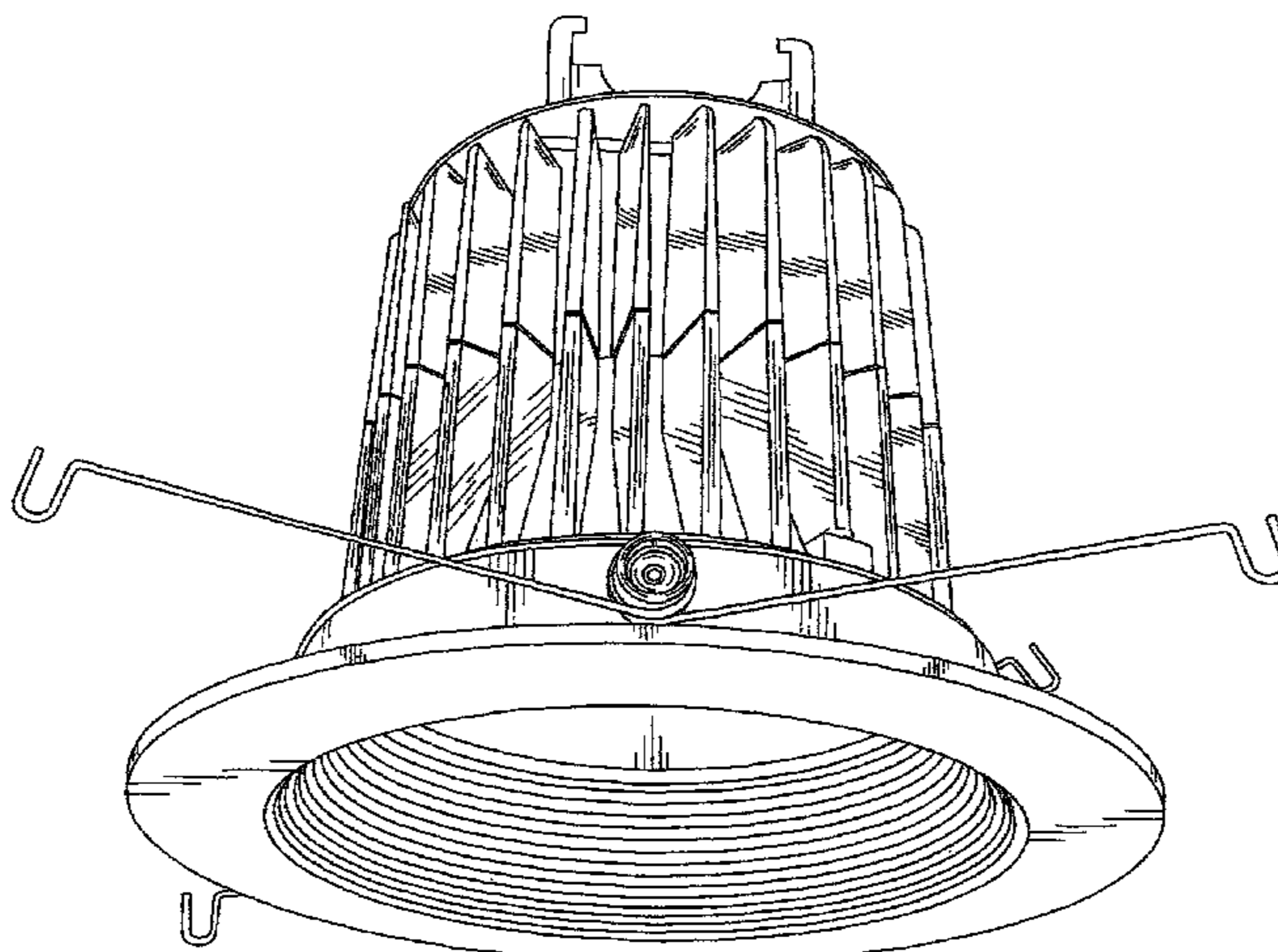
(56) **References Cited**

U.S. PATENT DOCUMENTS

D326,537 S *	5/1992	Gattari	D26/74
D573,294 S *	7/2008	Chan et al.	D26/74
D591,894 S *	5/2009	Flank	D26/74
D595,005 S *	6/2009	Chou	D26/74
D610,289 S *	2/2010	Yoshinobu et al.	D26/74
D610,290 S *	2/2010	Yoshinobu et al.	D26/74
D610,291 S *	2/2010	Yoshinobu et al.	D26/74
D624,691 S *	9/2010	Zhang et al.	D26/138
D640,819 S *	6/2011	Pan	D26/74
D640,820 S *	6/2011	Hopper	D26/74
D646,011 S *	9/2011	Rashidi	D26/74
D654,205 S *	2/2012	Rashidi	D26/74
2010/0148672 A1 *	6/2010	Hopper	315/113

* cited by examiner

1 Claim, 12 Drawing Sheets



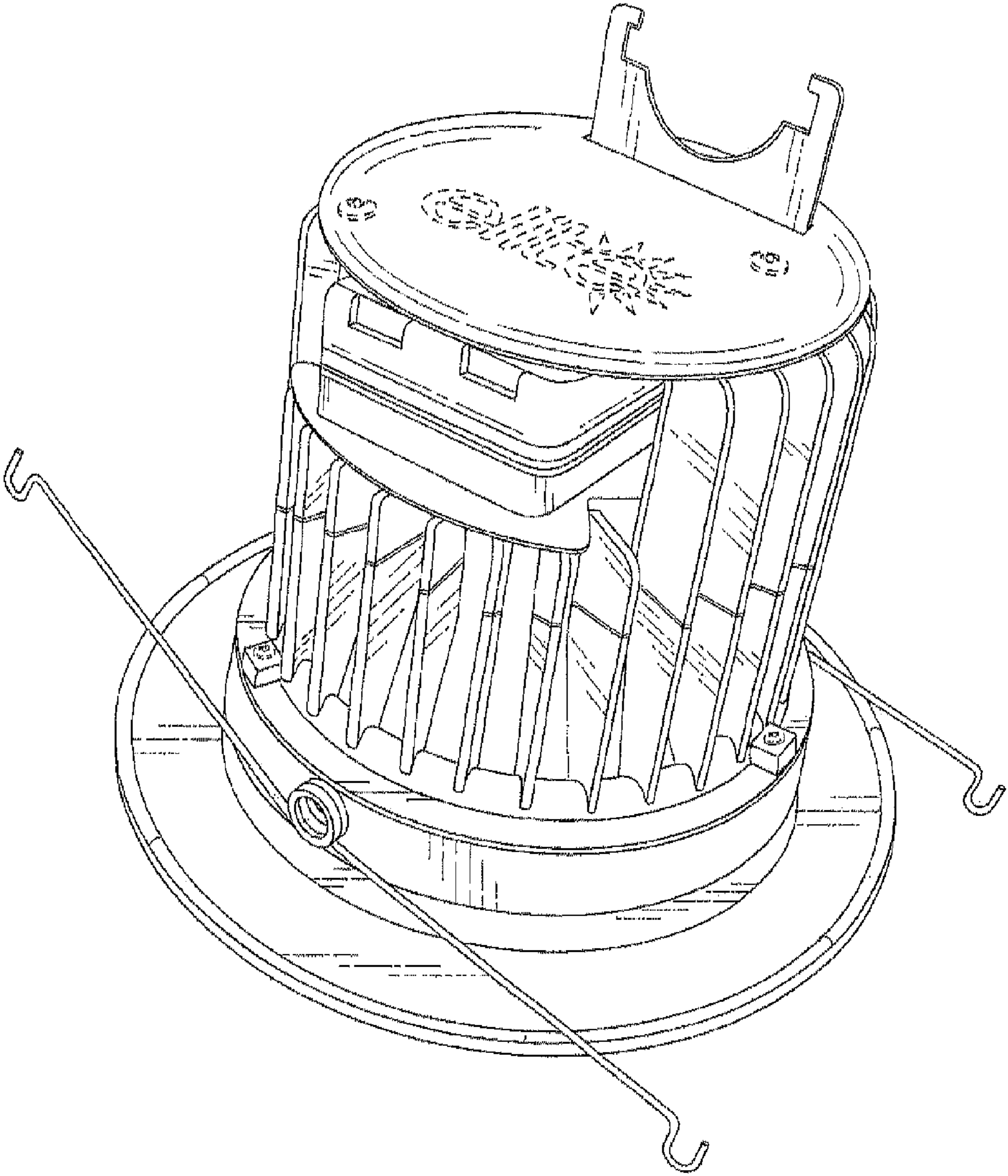


FIG. 1

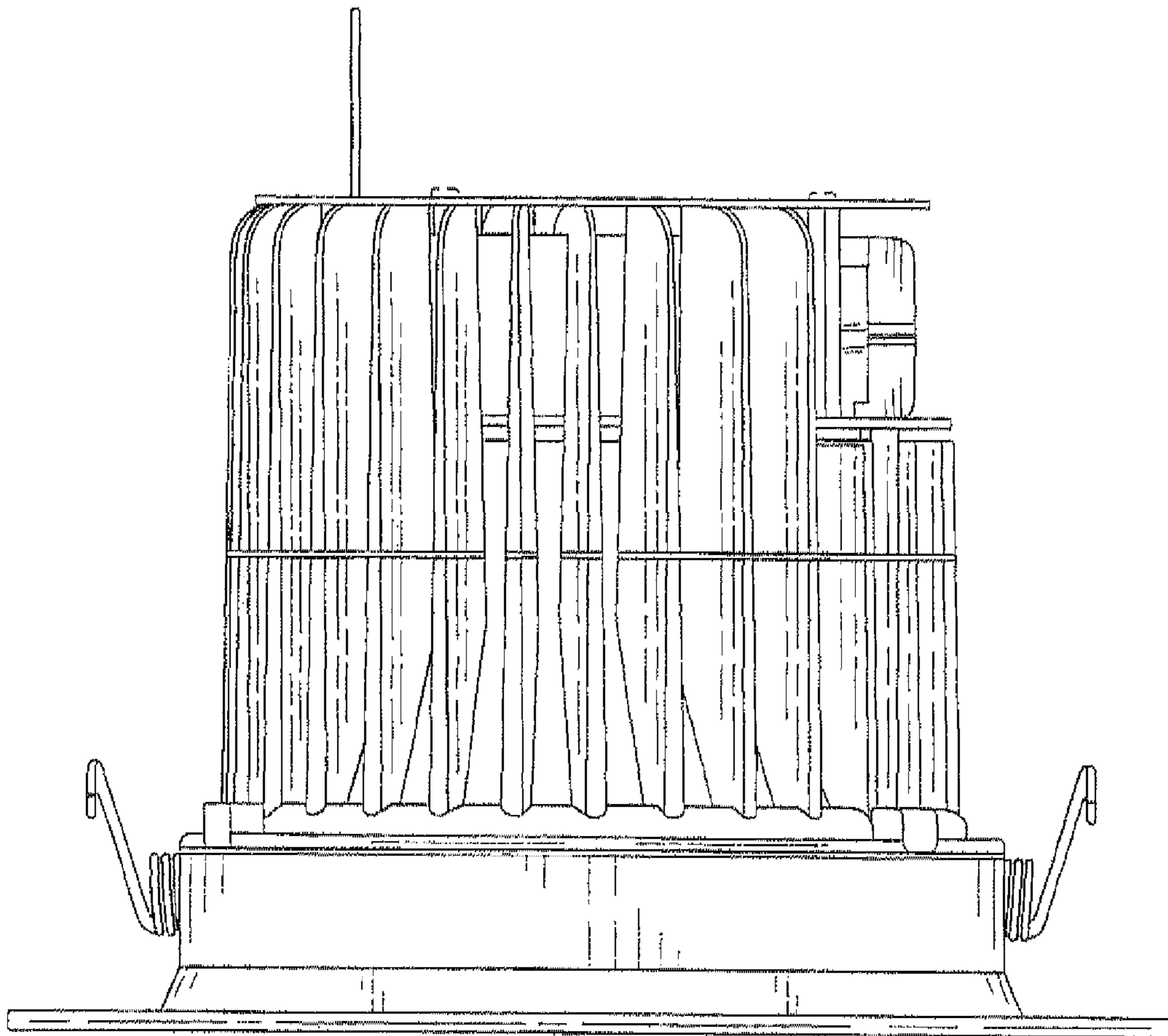


FIG. 2

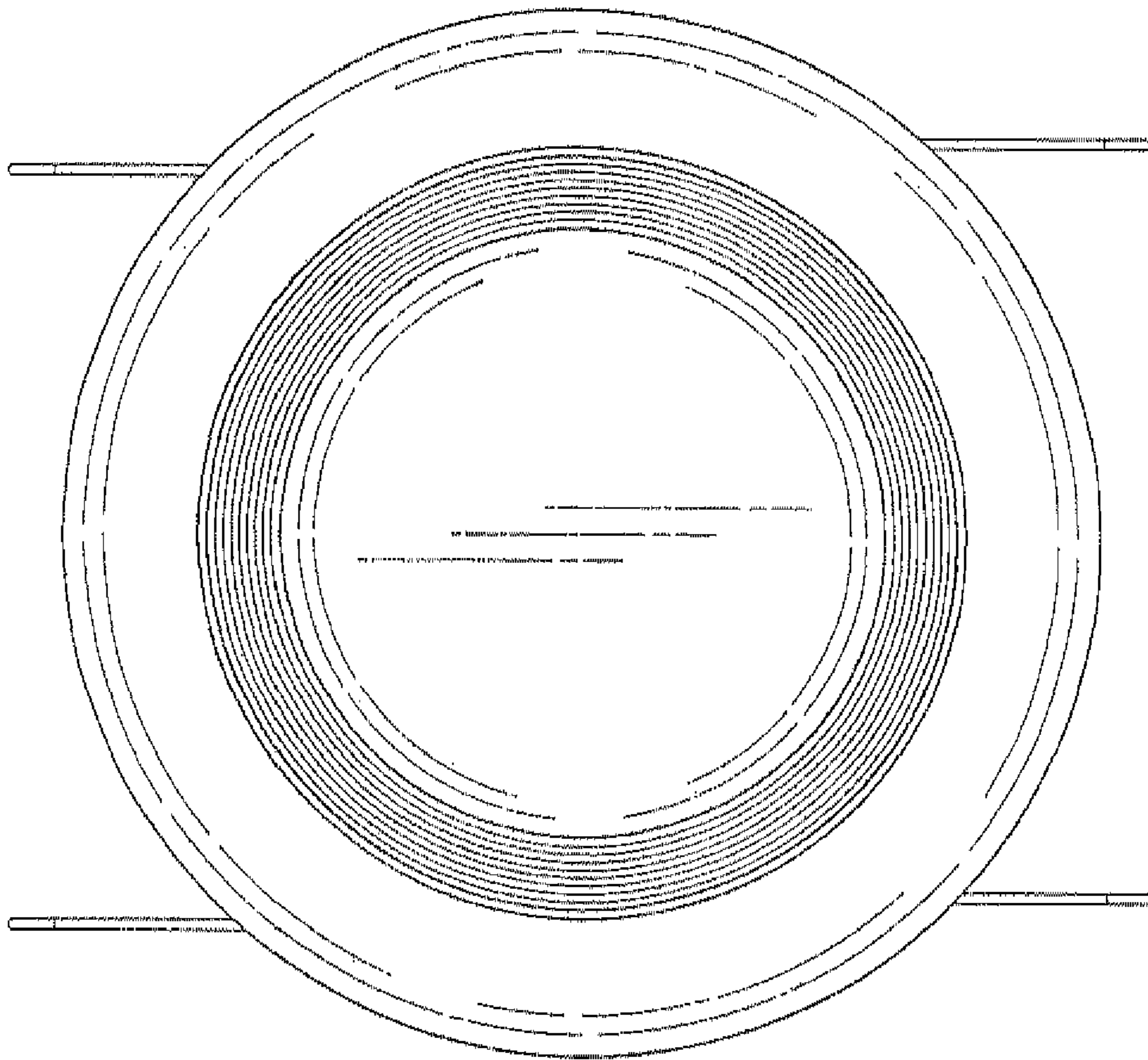


FIG. 3

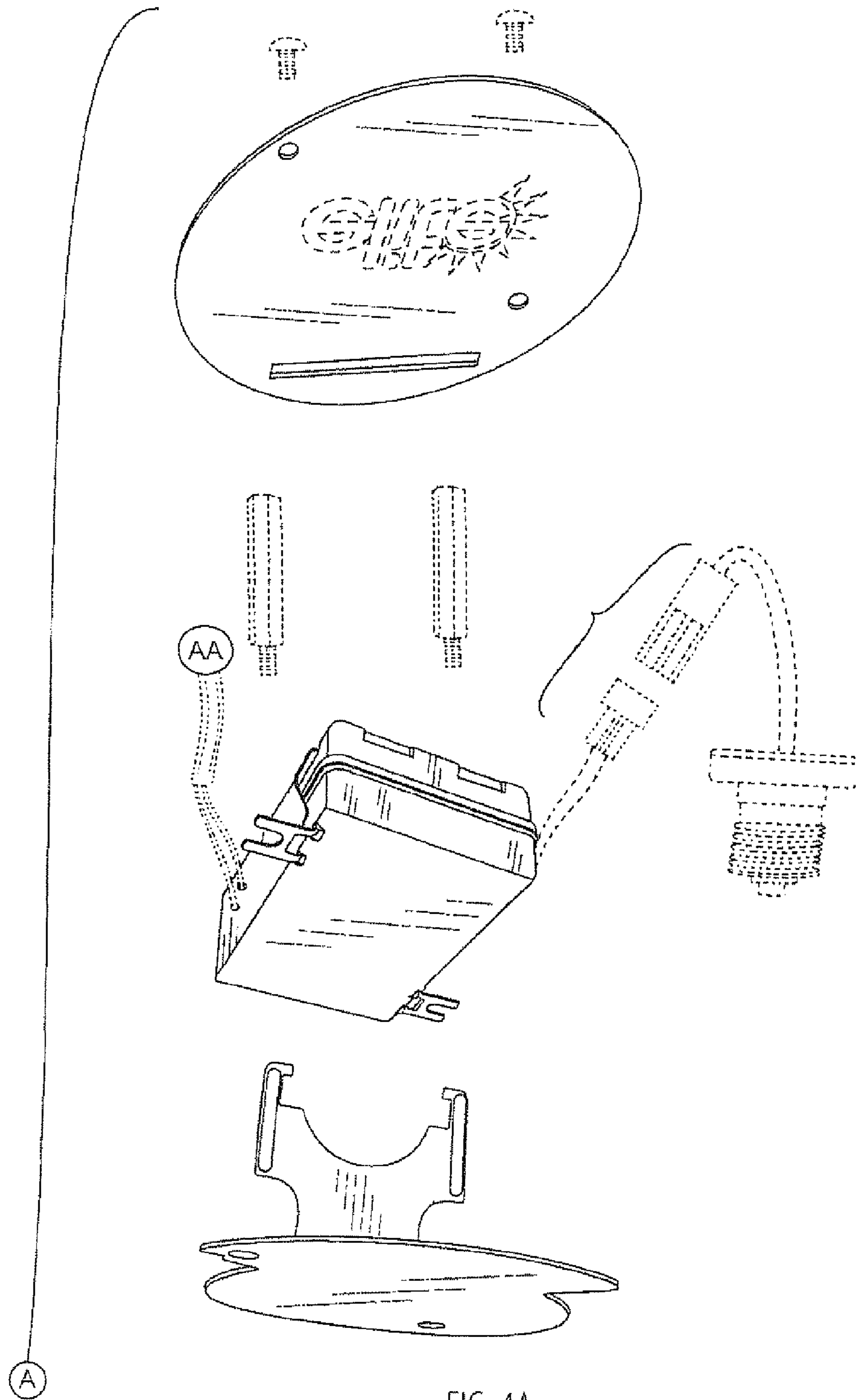
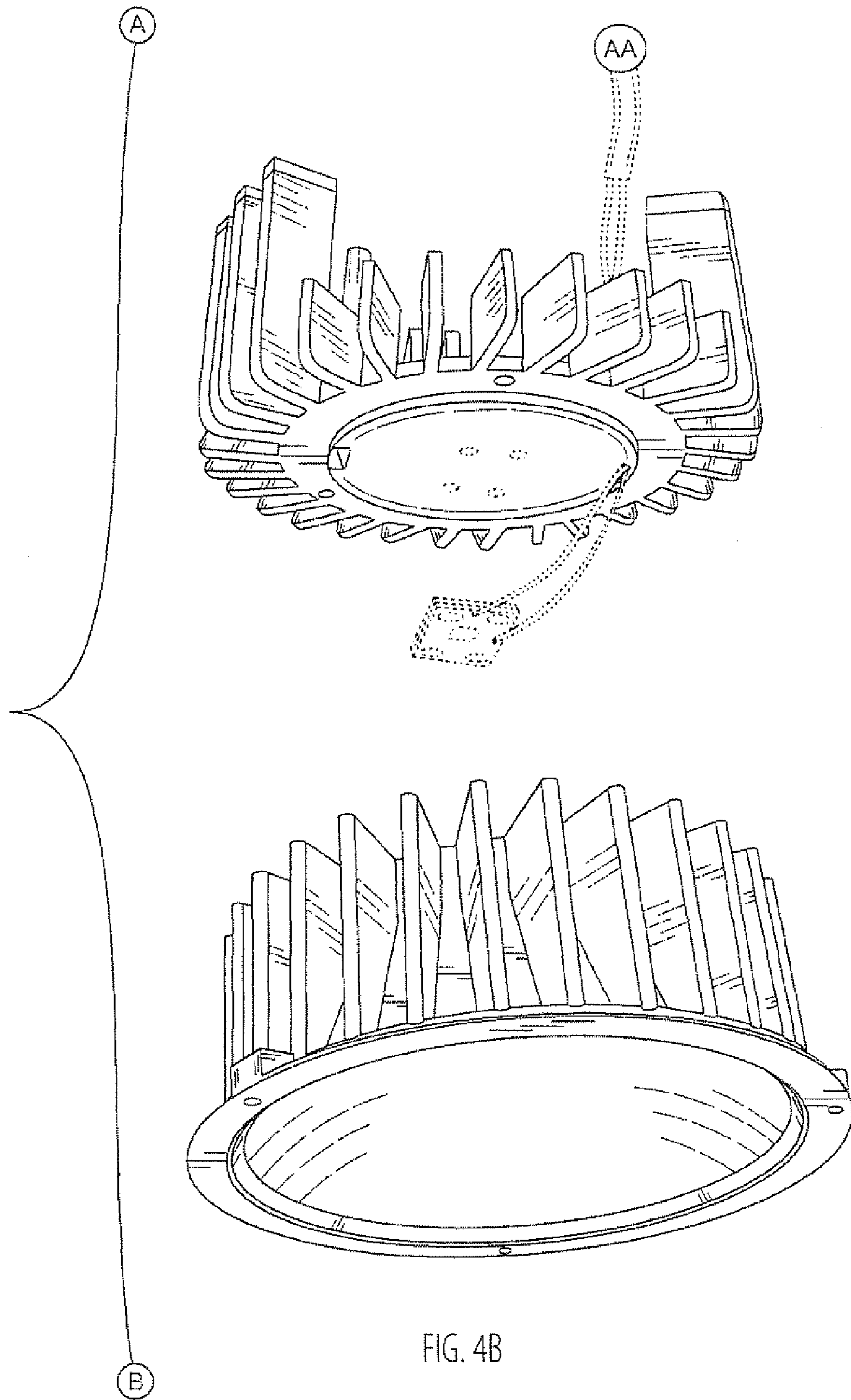


FIG. 4A



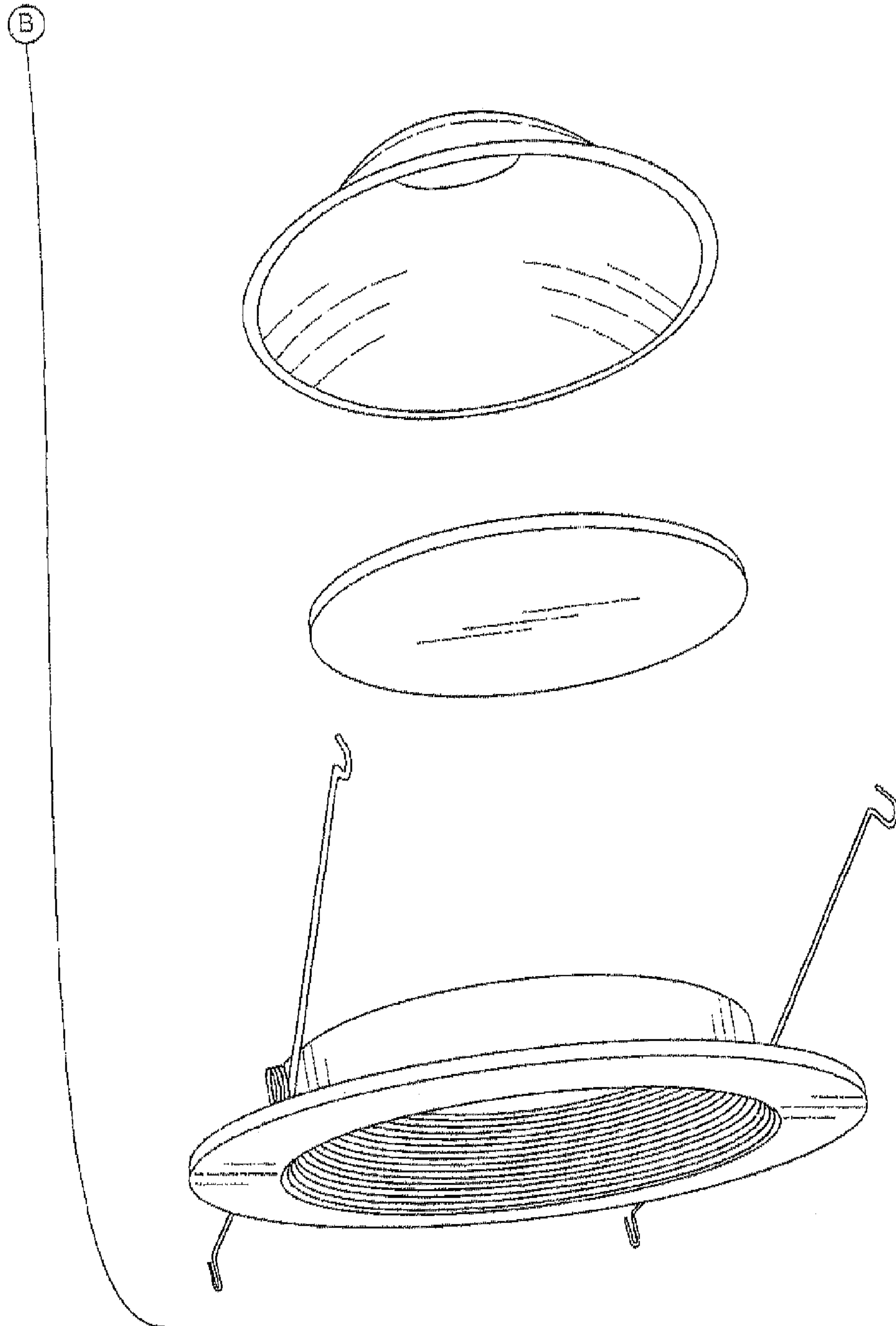


FIG. 4C

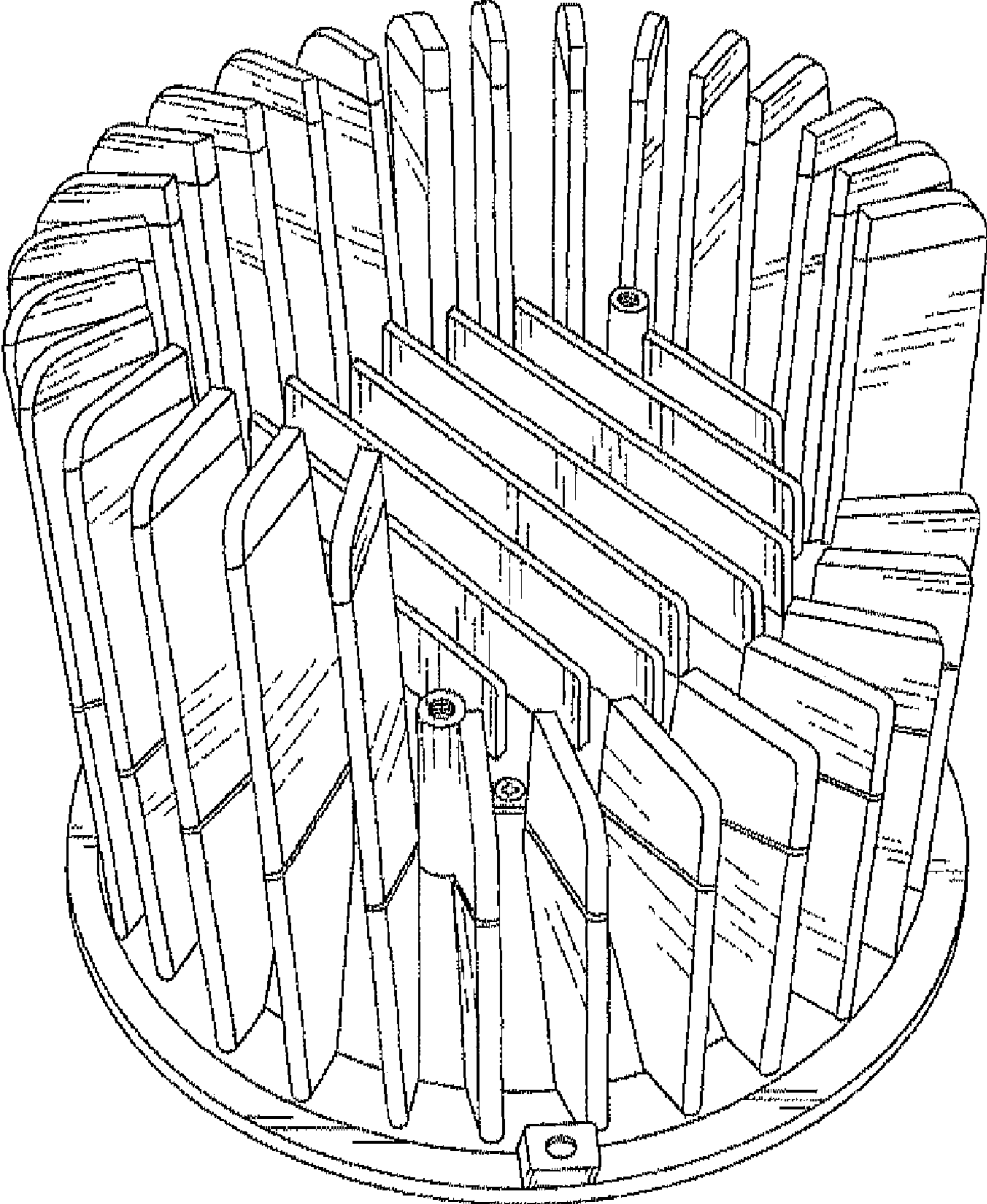


FIG. 5

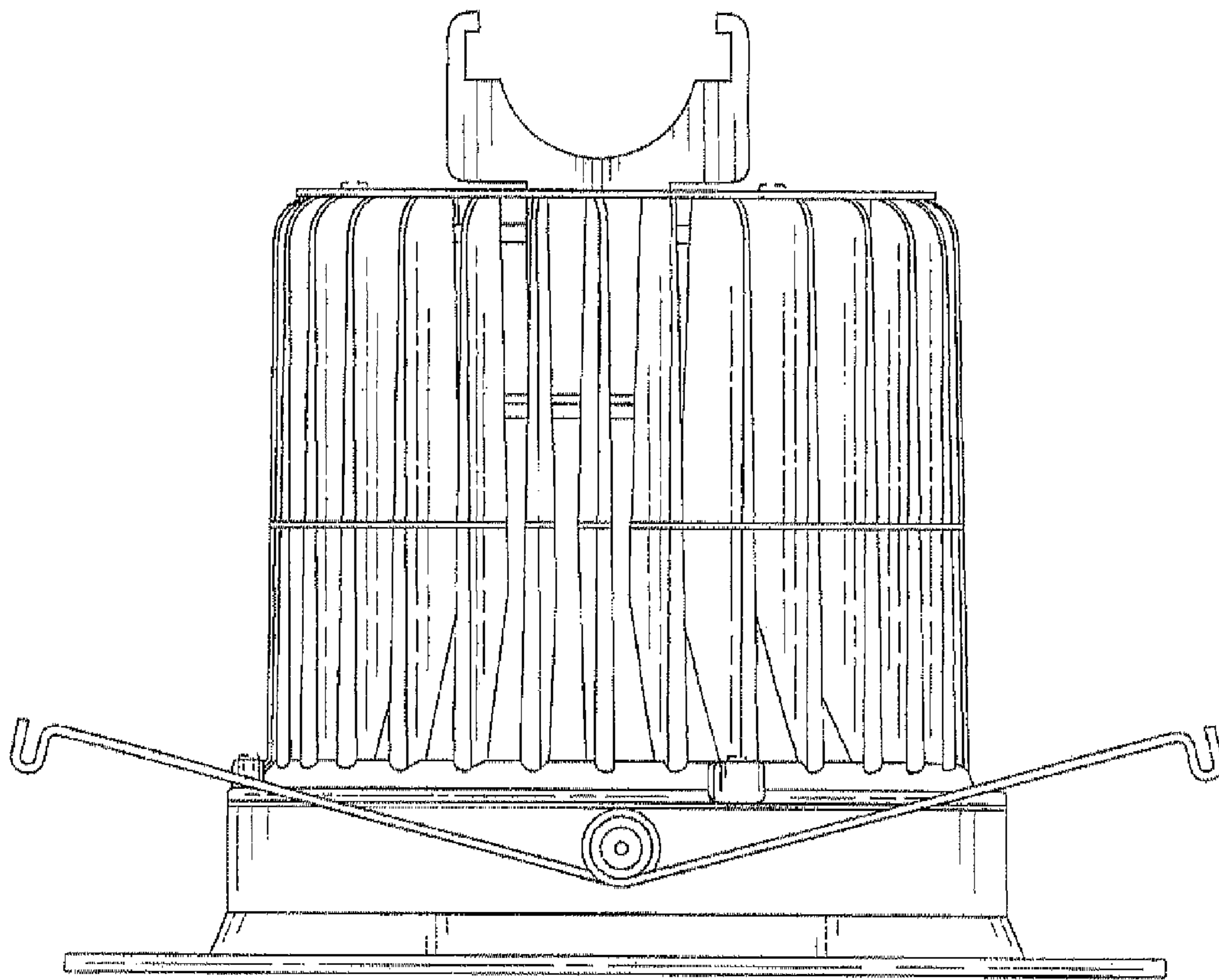


FIG. 6

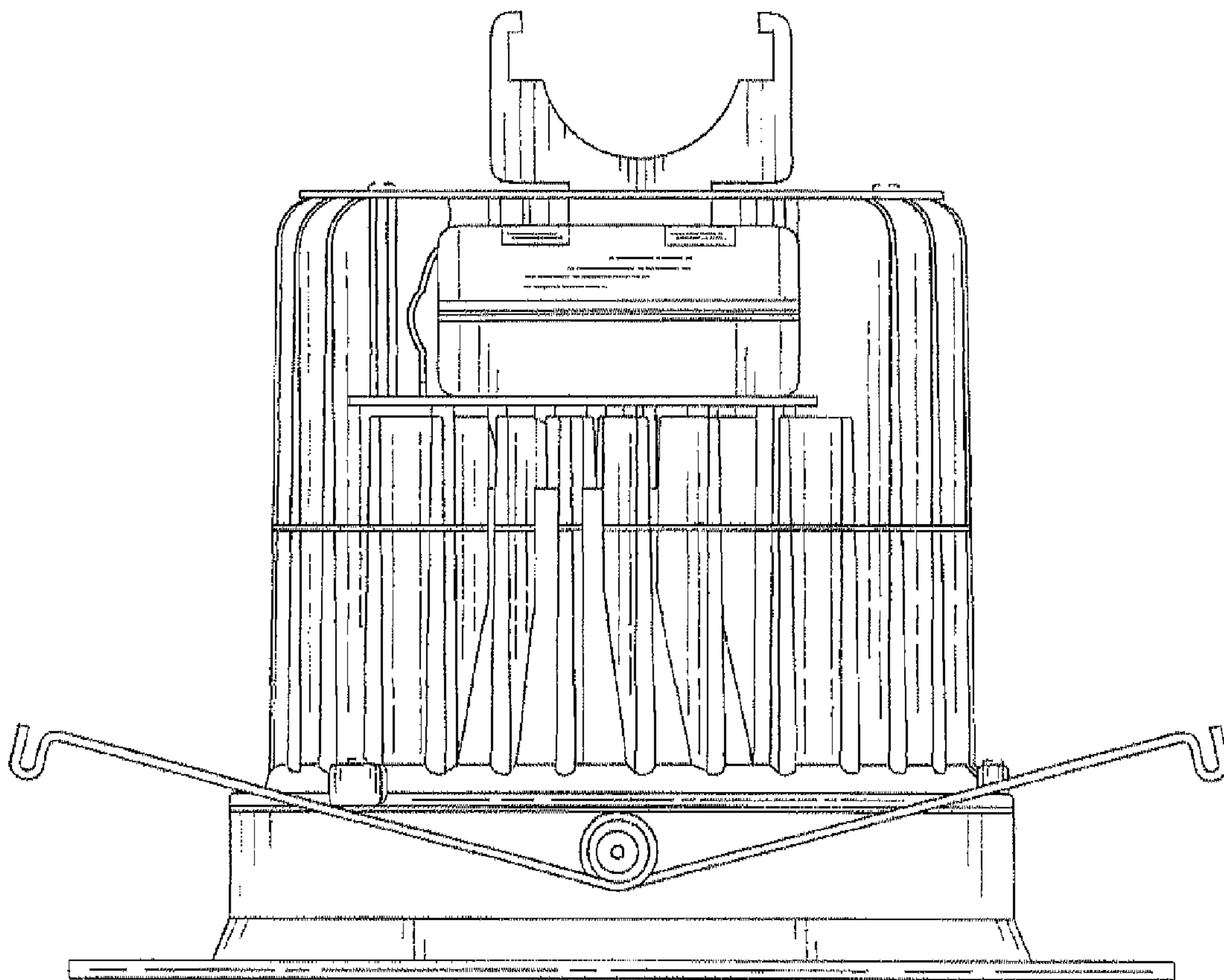


FIG. 7

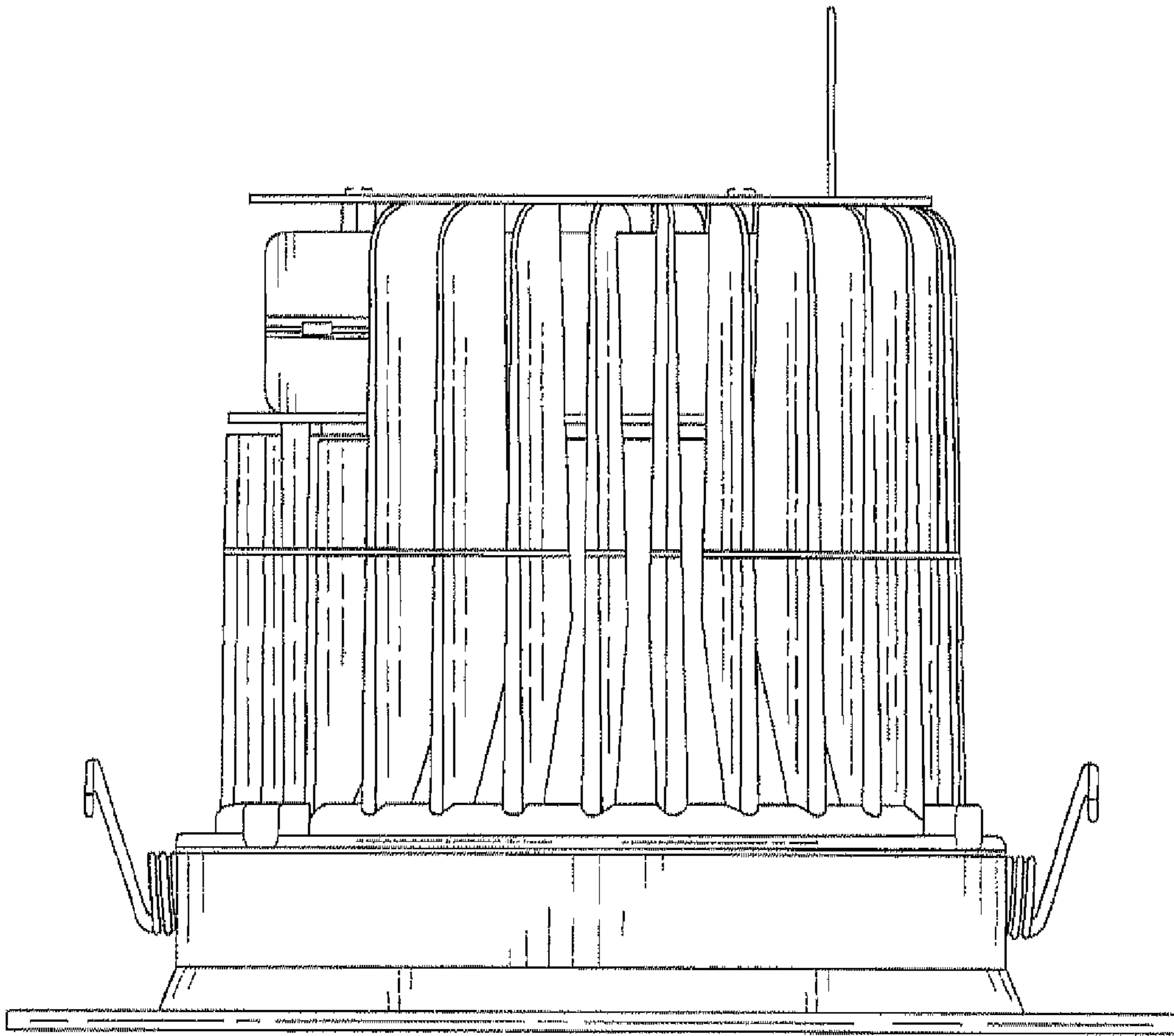


FIG. 8

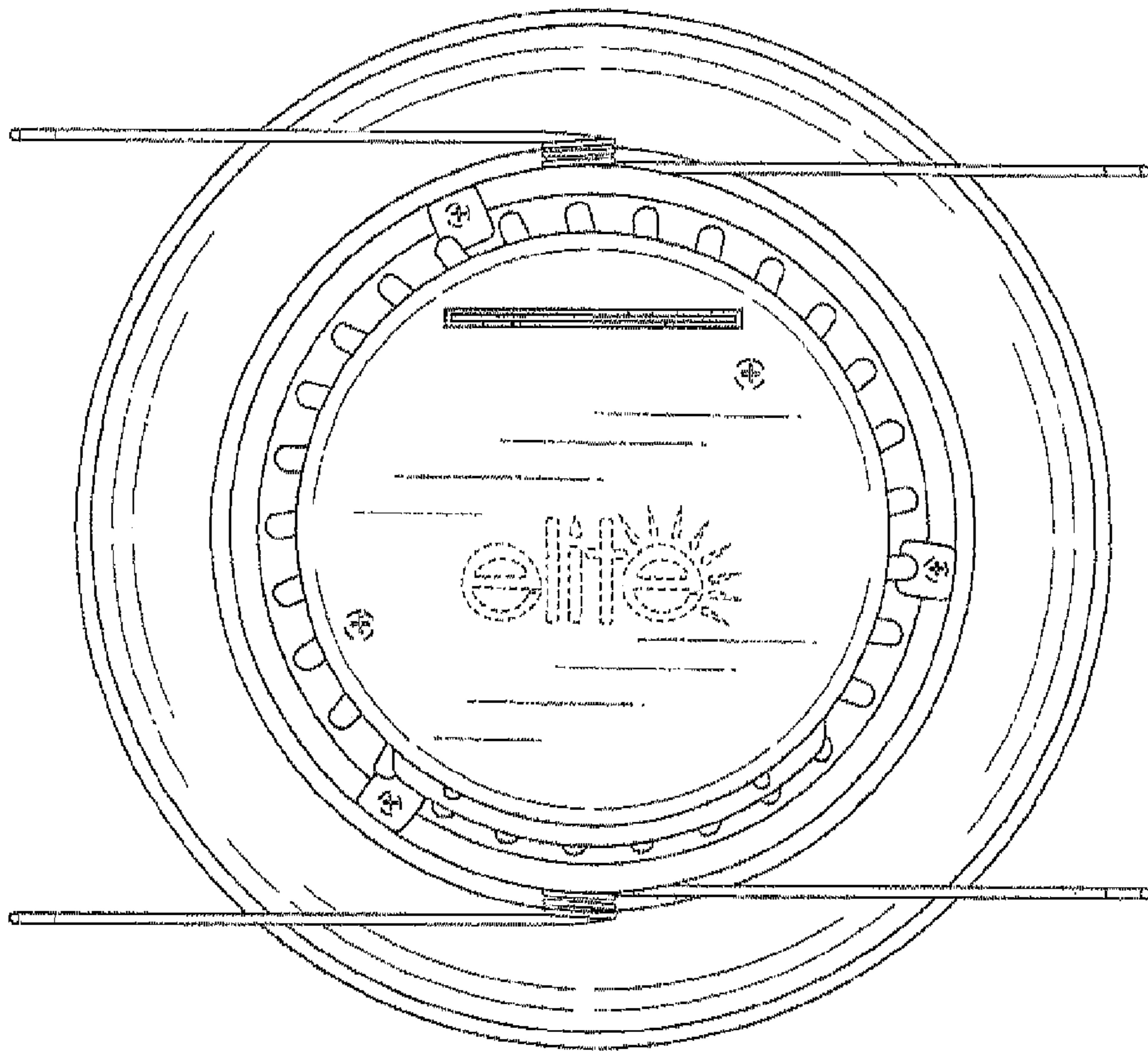


FIG. 9

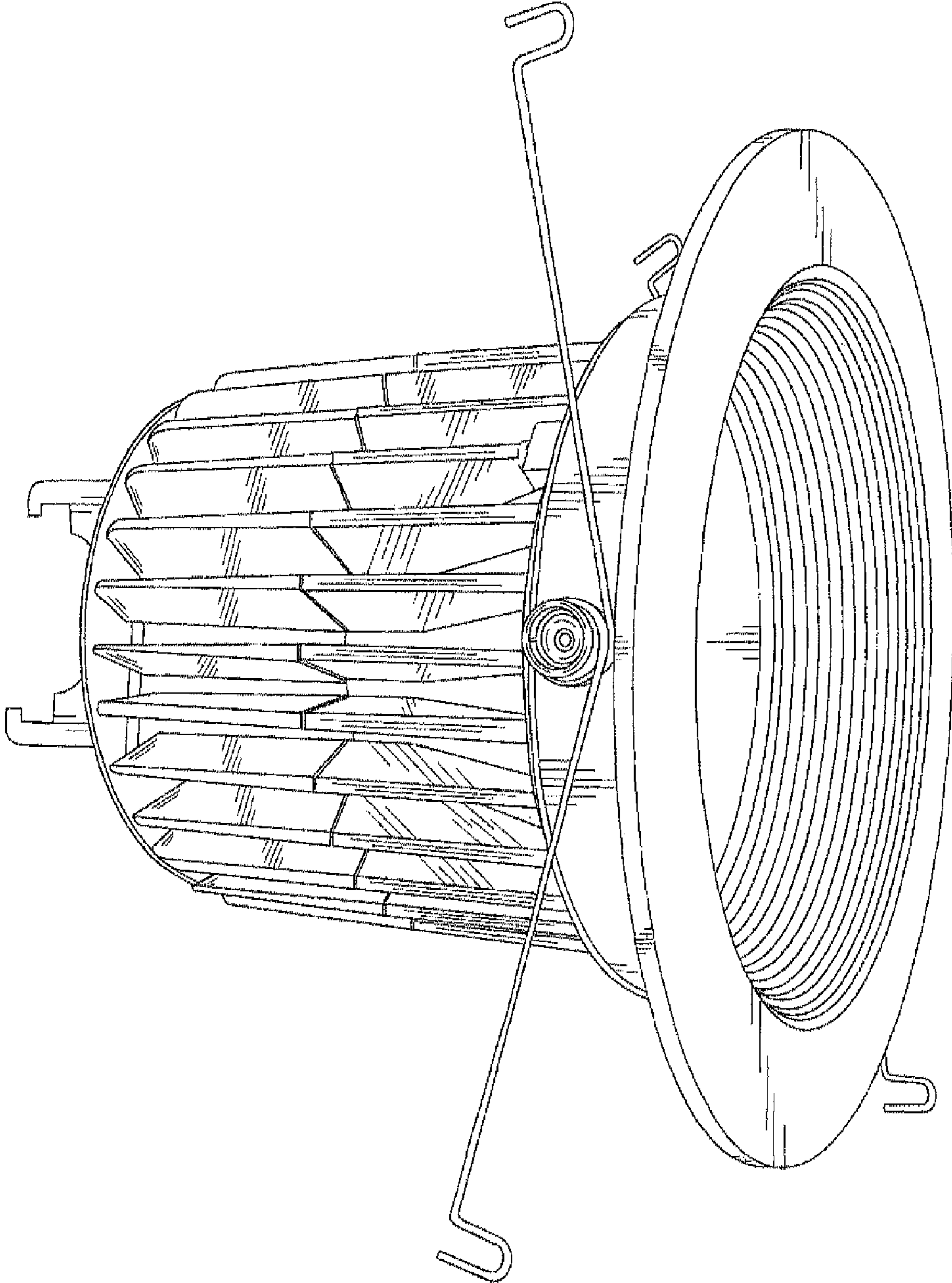


FIG. 10