



US00D677414S

(12) **United States Design Patent**  
**Chen**

(10) **Patent No.:** **US D677,414 S**  
(45) **Date of Patent:** **\*\* Mar. 5, 2013**

(54) **LIGHT FIXTURE**

(75) Inventor: **Chi Gon Chen**, Guang Zhou (CN)

(73) Assignee: **International Development LLC**,  
Roanoke, TX (US)

(\*\*) Term: **14 Years**

(21) Appl. No.: **29/423,649**

(22) Filed: **Jun. 4, 2012**

(51) **LOC (9) Cl.** ..... **26-05**

(52) **U.S. Cl.** ..... **D26/67**

(58) **Field of Classification Search** ..... D26/67,  
D26/68, 69, 70, 72, 85, 86, 89, 118, 128,  
D26/129; 362/147, 183, 431, 432, 362  
See application file for complete search history.

(56) **References Cited**

**U.S. PATENT DOCUMENTS**

D49,242 S *	6/1916	Wagner et al.	.....	D26/72
D63,205 S *	10/1923	Toensfeldt	.....	D26/24
D229,713 S *	12/1973	Wince et al.	.....	D26/67
D469,558 S *	1/2003	DiPasquale	.....	D26/67
D505,509 S *	5/2005	Chen	.....	D26/67
D512,176 S *	11/2005	Flores	.....	D26/128

D518,222 S *	3/2006	Harbaugh	.....	D26/68
D554,284 S *	10/2007	Richmond	.....	D26/152
D557,850 S *	12/2007	Chen	.....	D26/67
D557,851 S *	12/2007	Chen	.....	D26/67
D600,391 S *	9/2009	Sabernig	.....	D26/67
D615,686 S *	5/2010	Chen	.....	D26/68
D654,201 S *	2/2012	Chen	.....	D26/68

\* cited by examiner

*Primary Examiner* — Clare E Heflin

(74) *Attorney, Agent, or Firm* — Brian Harris

(57) **CLAIM**

The ornamental design for a light fixture, as shown and described.

**DESCRIPTION**

FIG. 1 is a perspective view of a light fixture showing my new design;

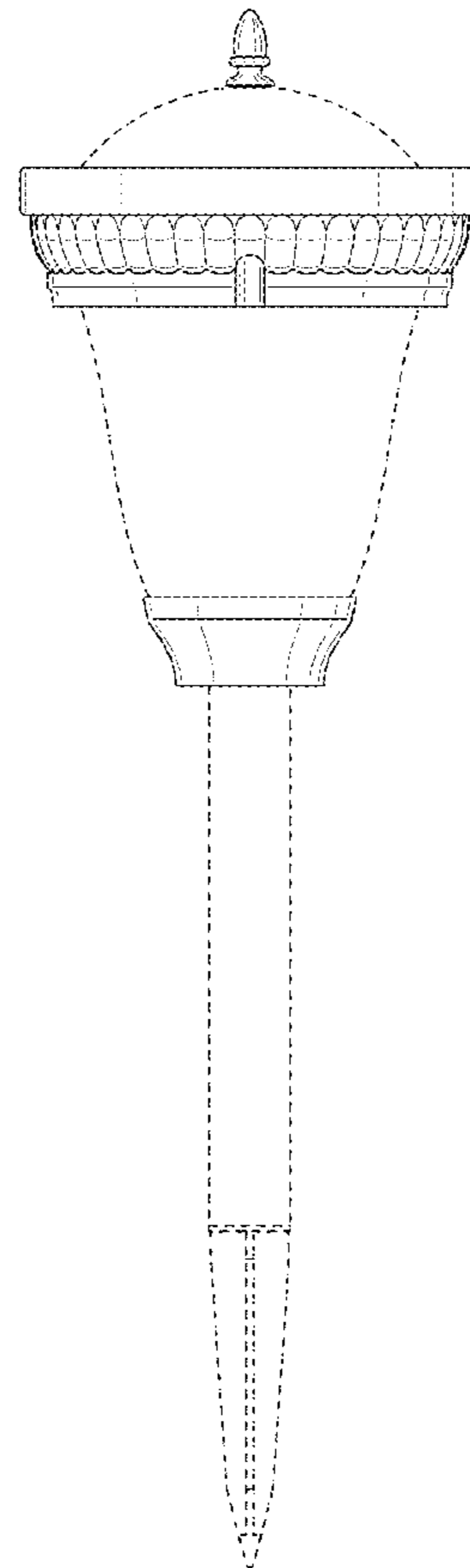
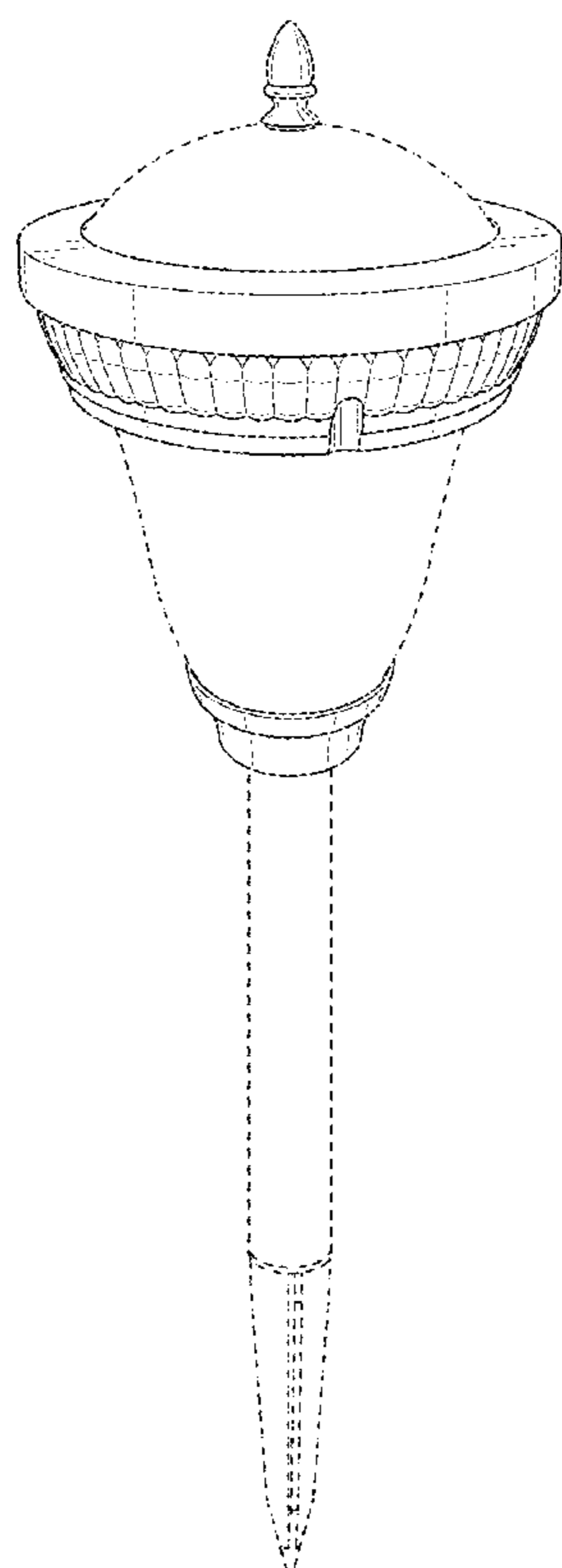
FIG. 2 is a front view thereof, the right side, left side, and back views being identical thereto;

FIG. 3 is a top view thereof; and,

FIG. 4 is a bottom view thereof.

The broken lines are shown in the views for illustrative purposes only and form no part of the claimed design.

**1 Claim, 3 Drawing Sheets**



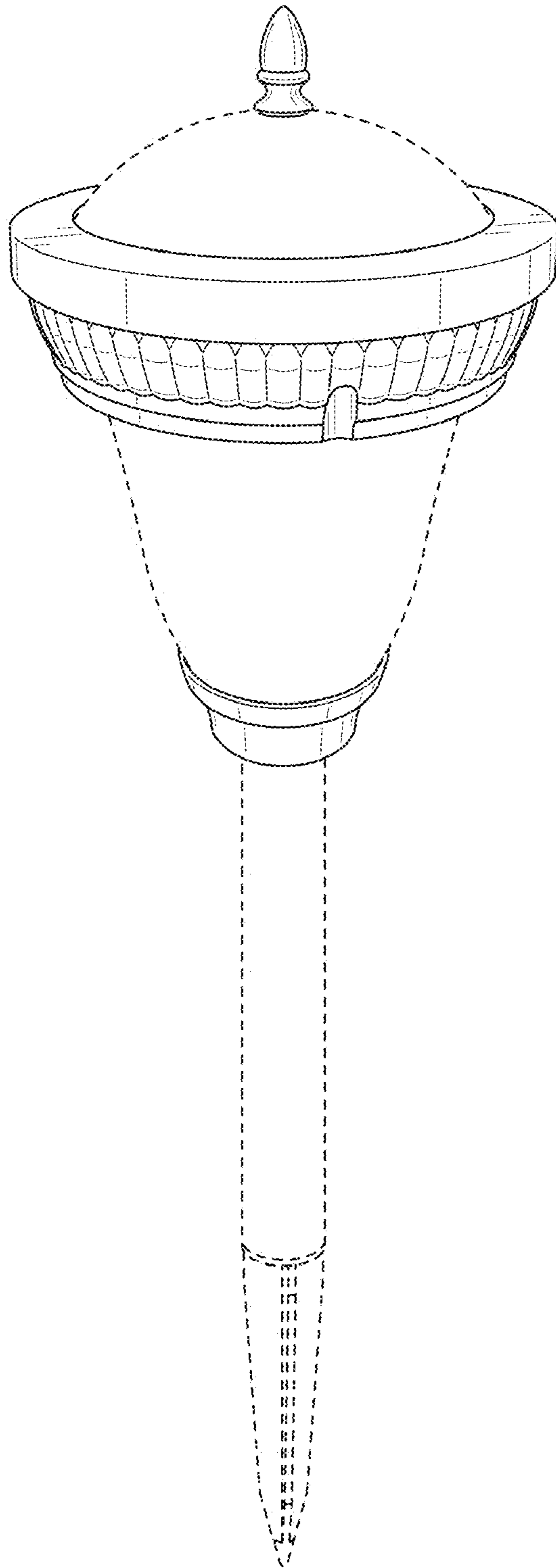


FIG. 1

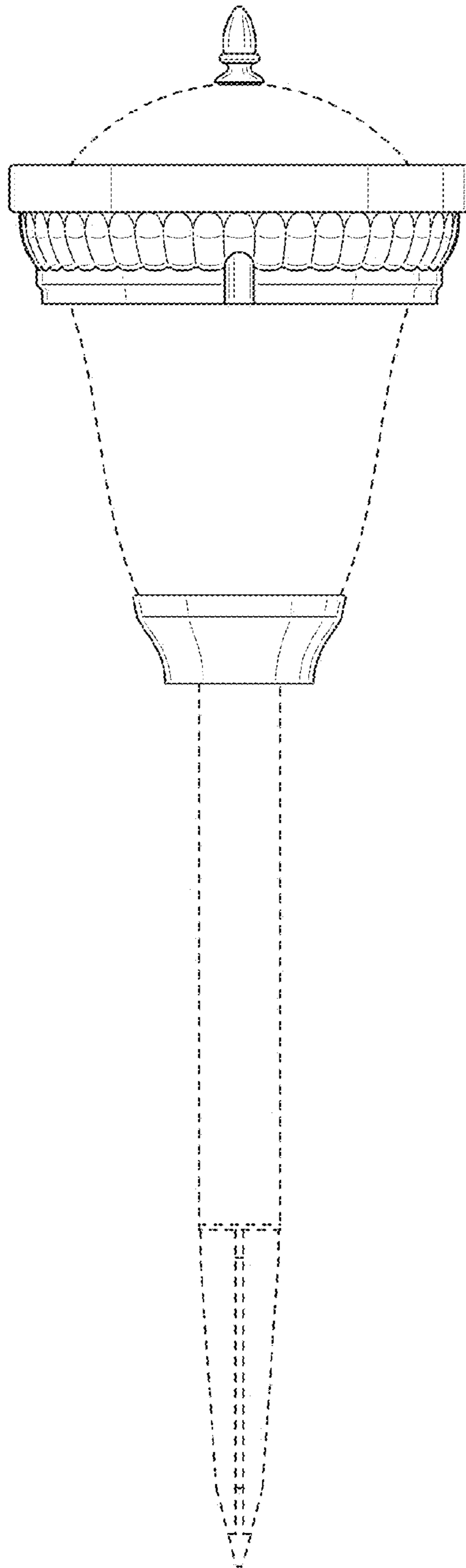


FIG. 2

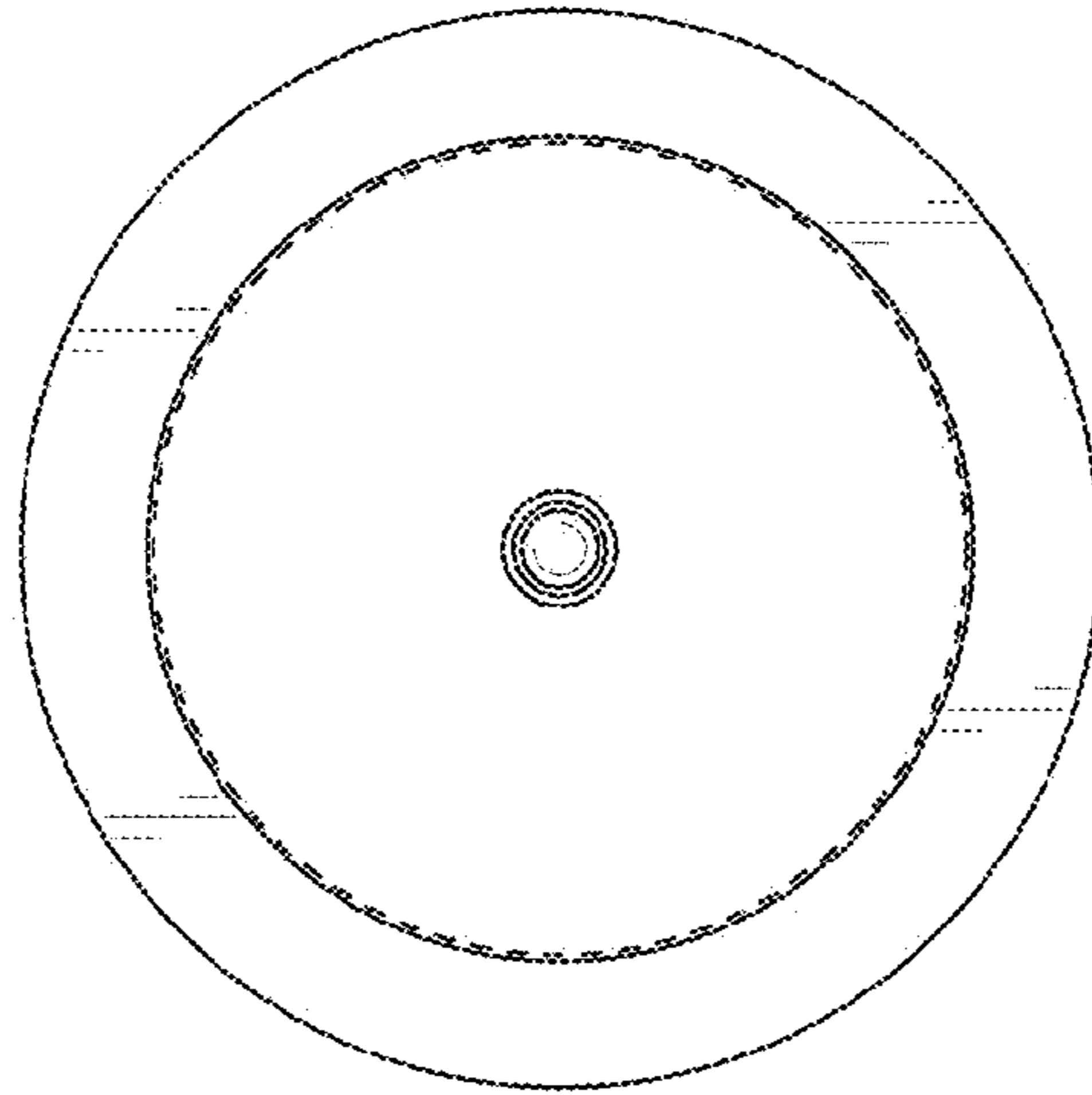


FIG. 3

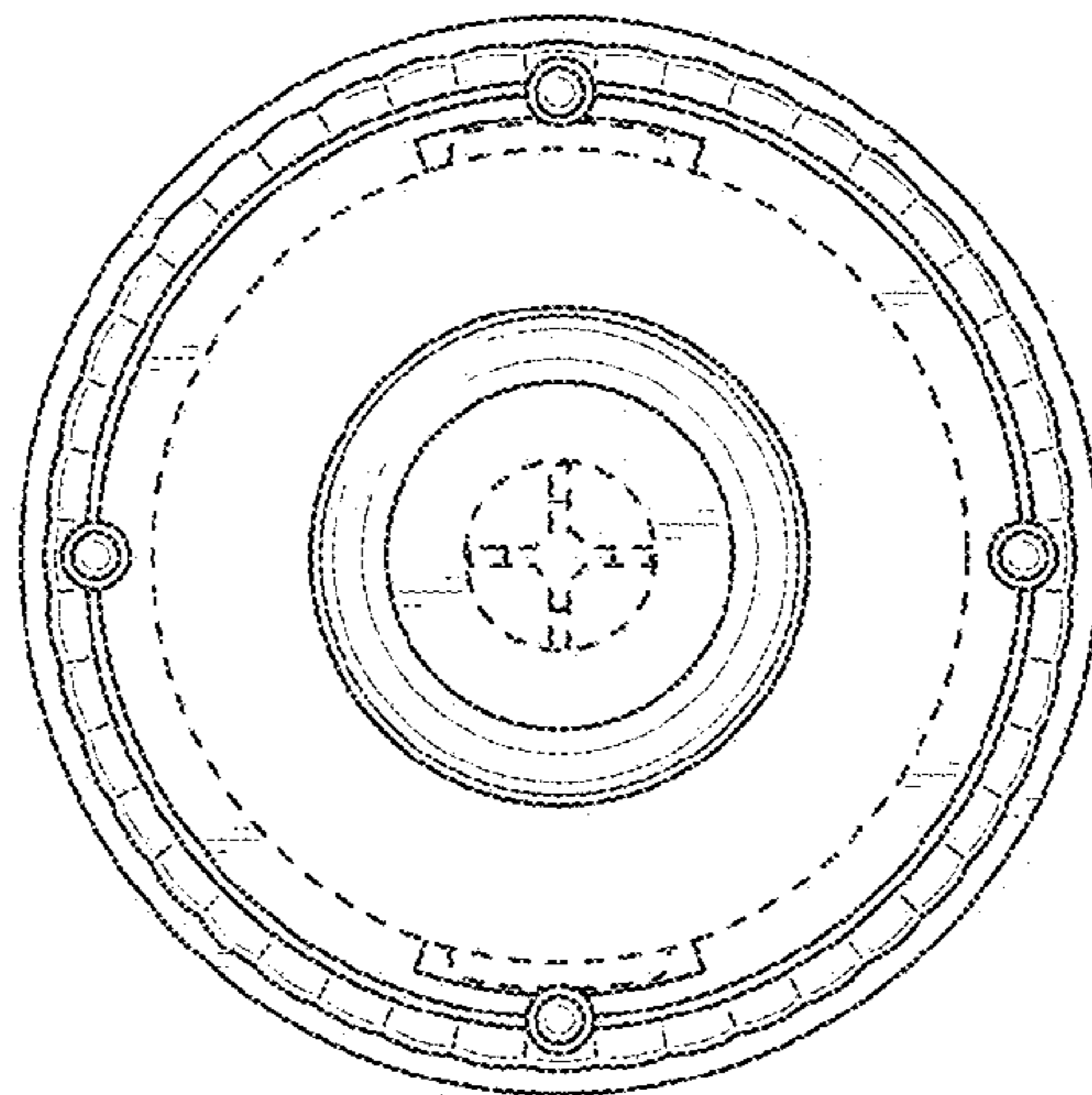


FIG. 4