



US00D677407S

(12) **United States Design Patent**  
**Yang**

(10) **Patent No.:** **US D677,407 S**

(45) **Date of Patent:** **\*\* Mar. 5, 2013**

(54) **LED LIGHT BULB**

(75) Inventor: **Haitao Yang**, San Jose, CA (US)

(73) Assignee: **Intematix Corporation**, Fremont, CA (US)

(\*\*) Term: **14 Years**

(21) Appl. No.: **29/420,386**

(22) Filed: **May 8, 2012**

(51) **LOC (9) Cl.** ..... **26-04**

(52) **U.S. Cl.** ..... **D26/2**

(58) **Field of Classification Search** ..... D26/1-4;  
313/313, 315, 316, 317, 318, 493; 315/52,  
315/53, 56, 57, 58

See application file for complete search history.

(56) **References Cited**

U.S. PATENT DOCUMENTS

D617,915 S *	6/2010	Wada et al.	.....	D26/2
D617,918 S *	6/2010	Yamamoto et al.	.....	D26/2
D617,919 S *	6/2010	Wada et al.	.....	D26/2
D620,155 S *	7/2010	Wang et al.	.....	D26/2
D629,929 S *	12/2010	Chen et al.	.....	D26/2

\* cited by examiner

*Primary Examiner* — Marcus Jackson

(74) *Attorney, Agent, or Firm* — Vista IP Law Group, LLP

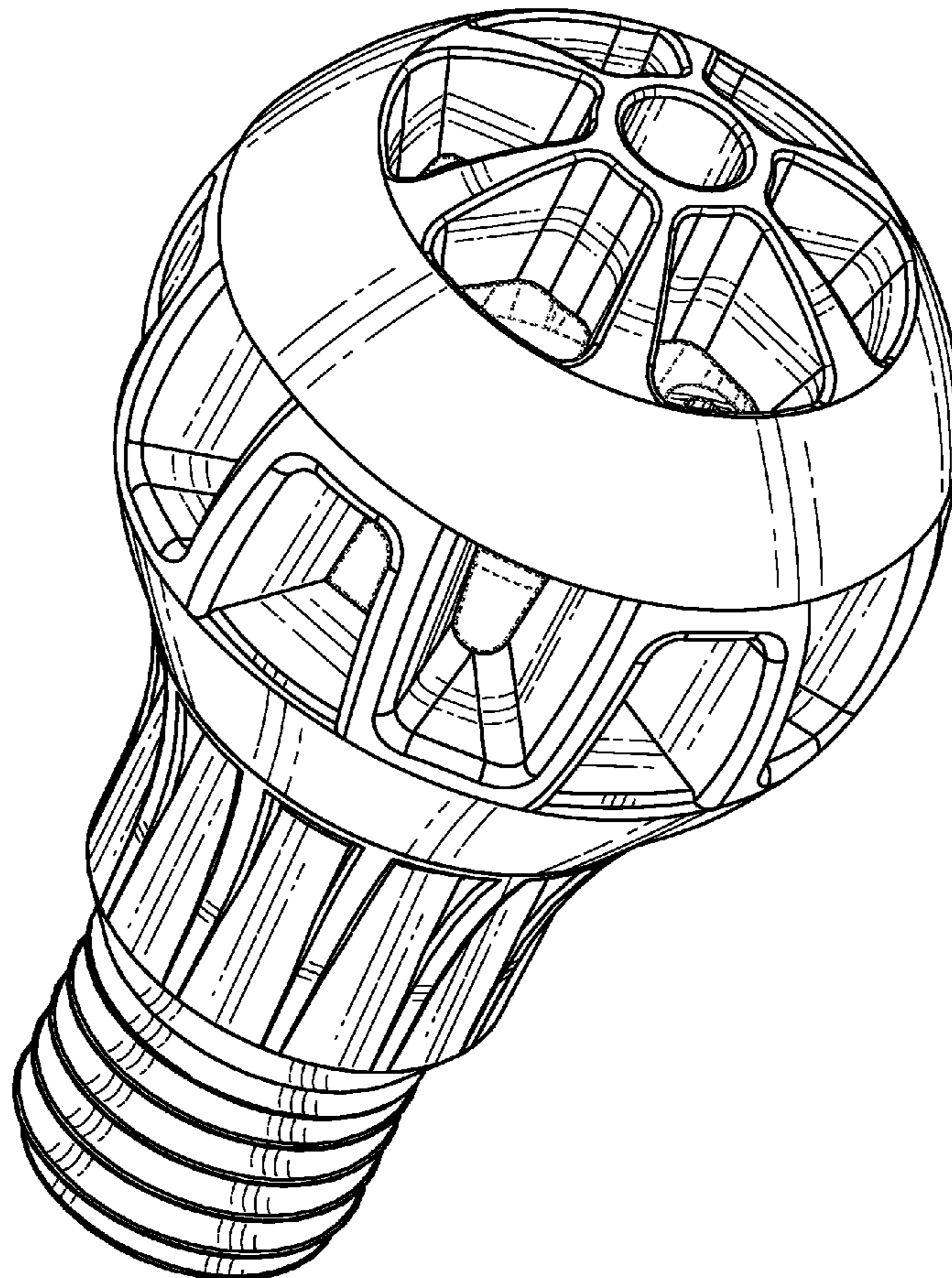
(57) **CLAIM**

I claim the ornamental design for an LED light bulb, as shown.

**DESCRIPTION**

FIG. 1 is a first perspective view of an LED light bulb showing our new design;  
 FIG. 2 is a side view of the bulb of FIG. 1;  
 FIG. 3 is a top view of the bulb of FIG. 1;  
 FIG. 4 is a bottom view of the bulb of FIG. 1;  
 FIG. 5 is a second perspective view of the bulb of FIG. 1;  
 FIG. 6 is a perspective view of a further LED light bulb showing our design;  
 FIG. 7 is a side view of the bulb of FIG. 6;  
 FIG. 8 is a top view of the bulb of FIG. 6;  
 FIG. 9 is a bottom view of the bulb of FIG. 6; and,  
 FIG. 10 is a second perspective view of the bulb of FIG. 6.

**1 Claim, 10 Drawing Sheets**



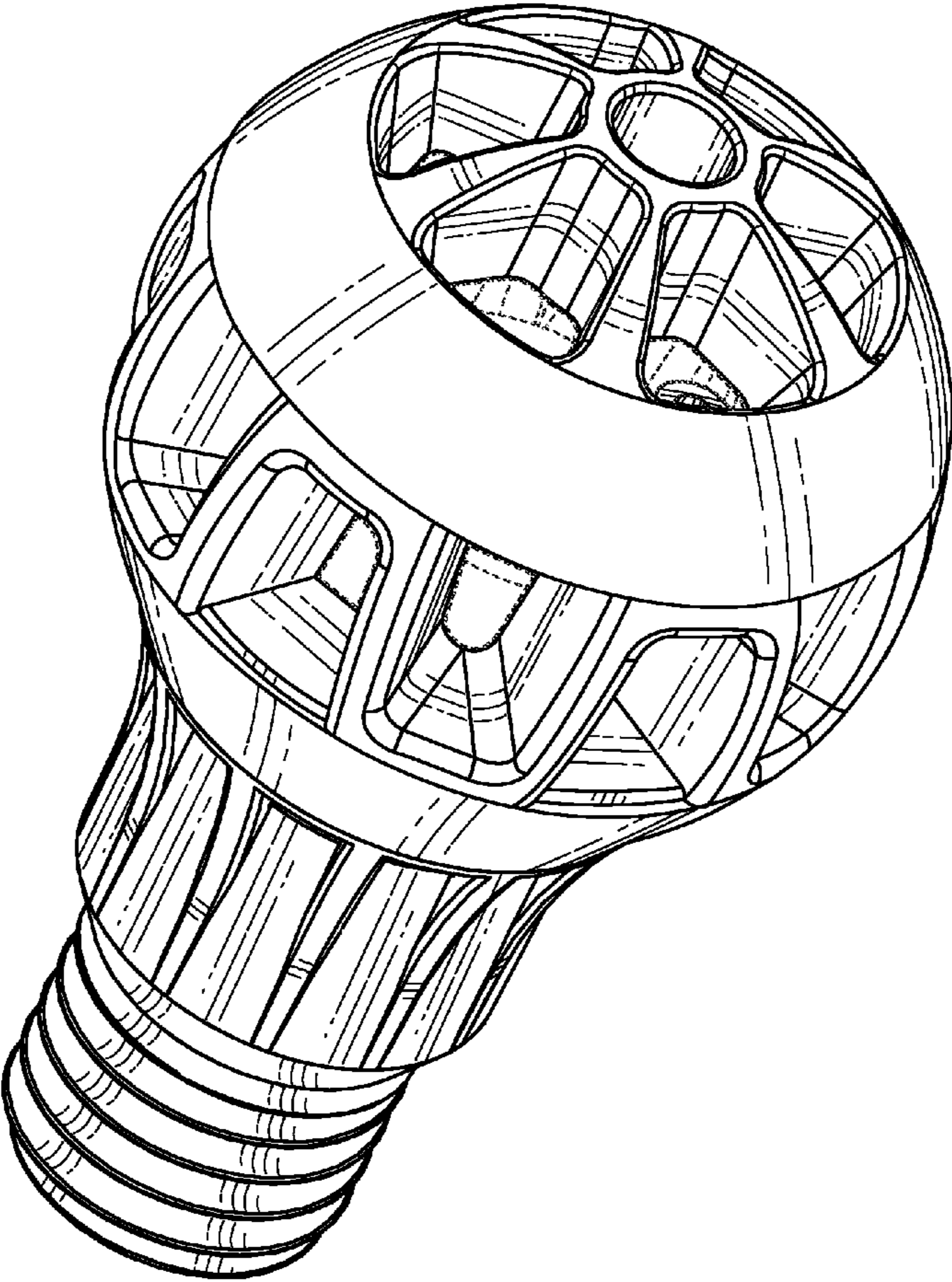


FIG. 1

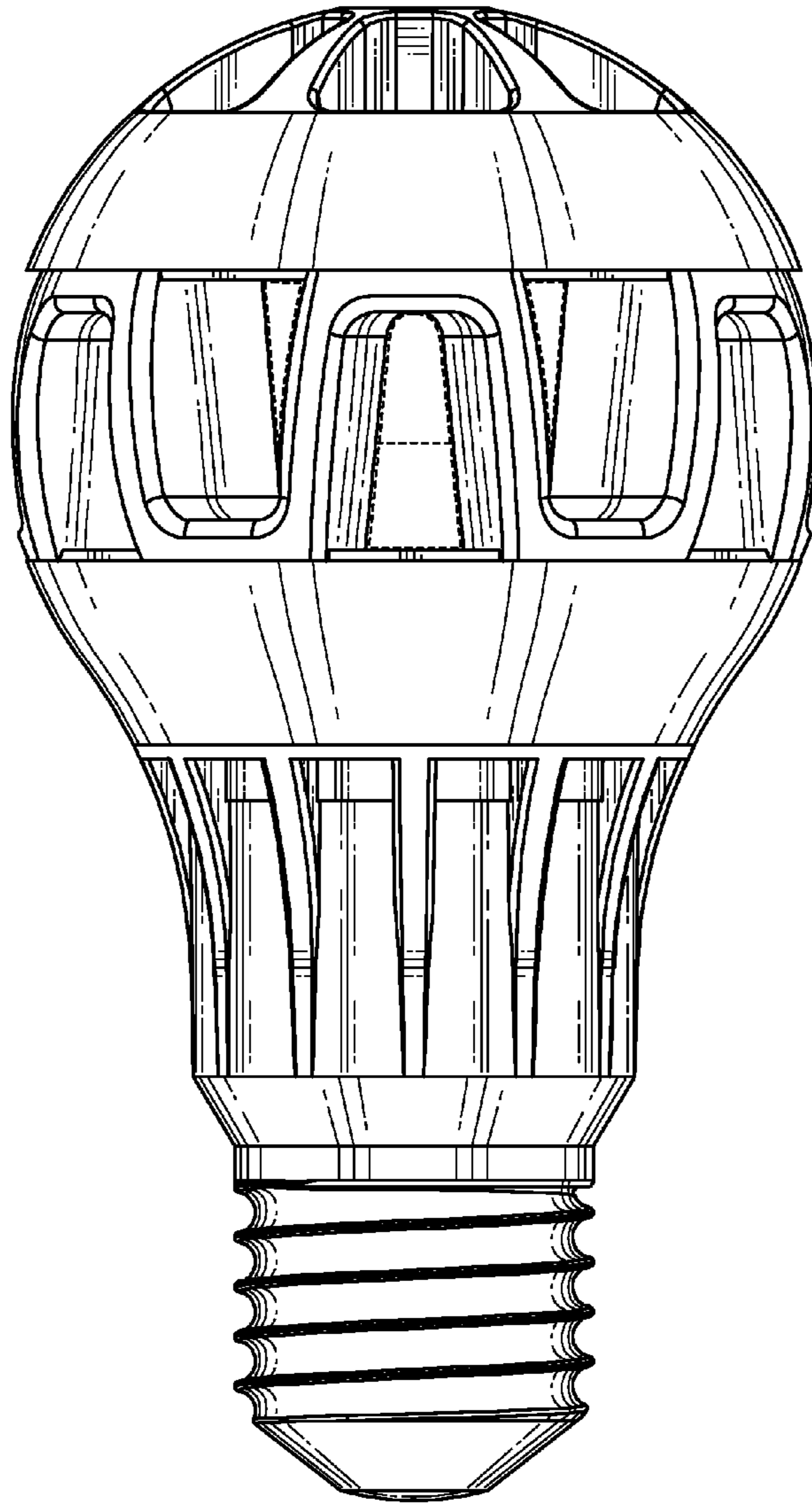


FIG. 2

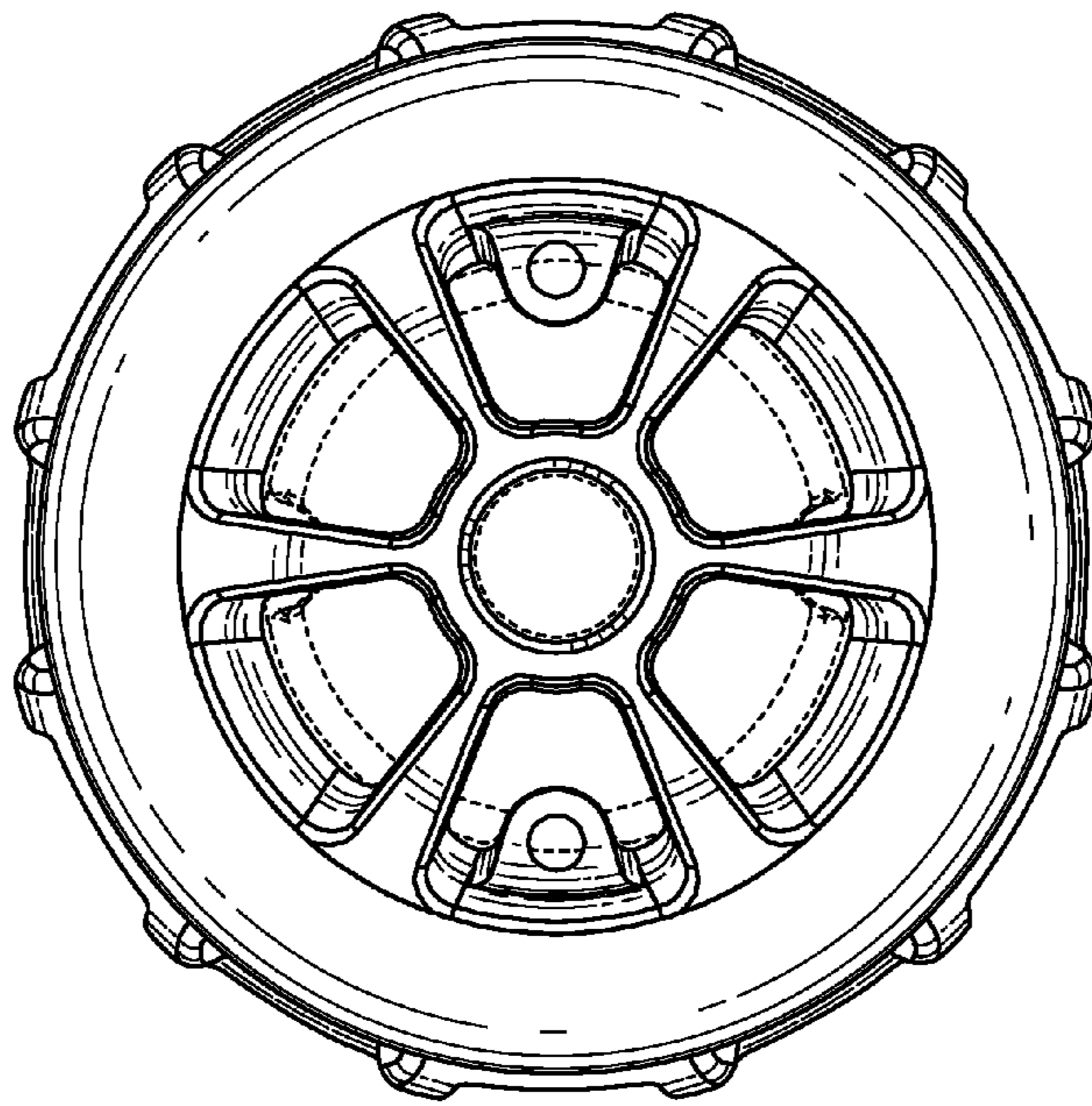


FIG. 3



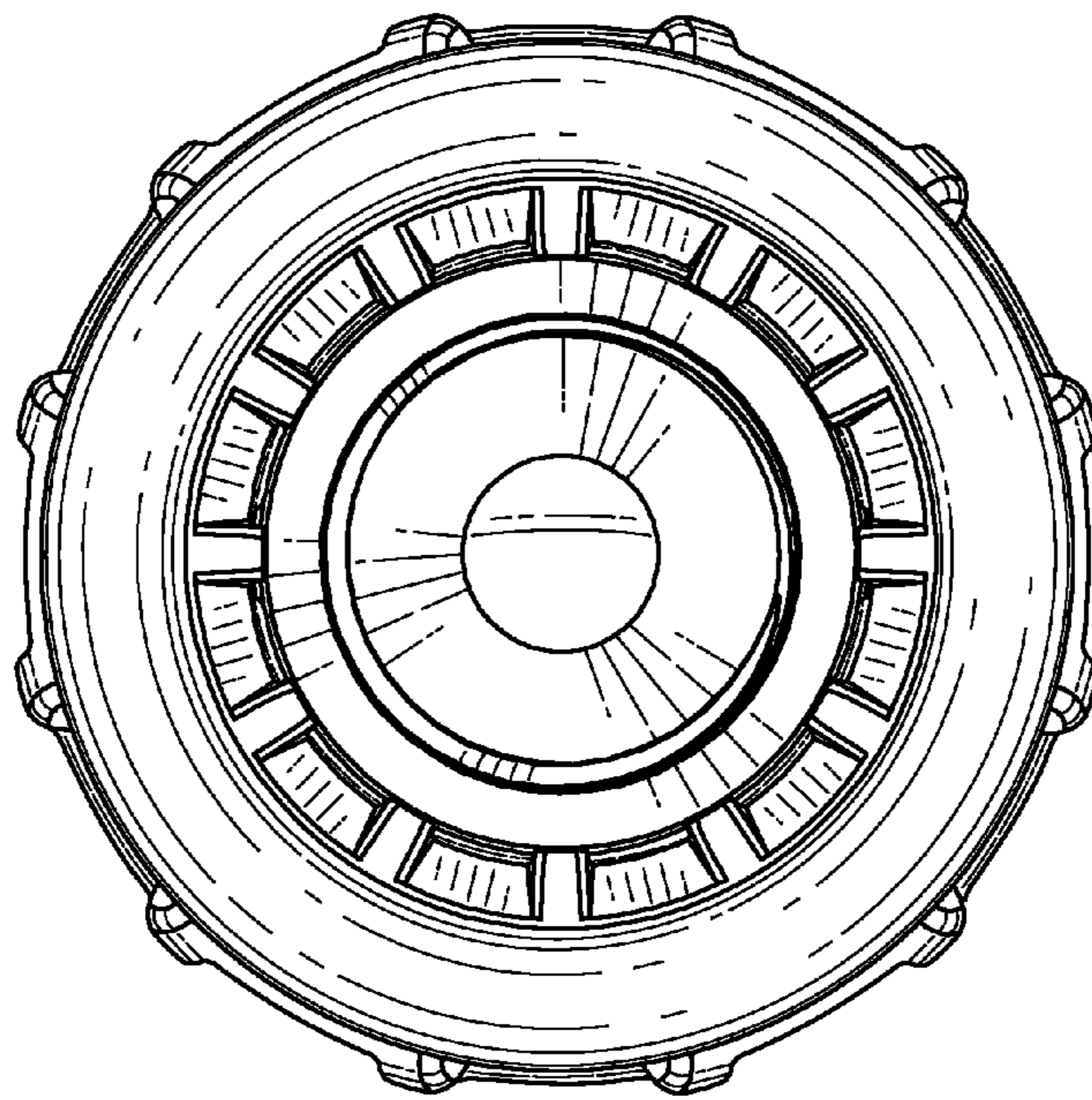


FIG. 4

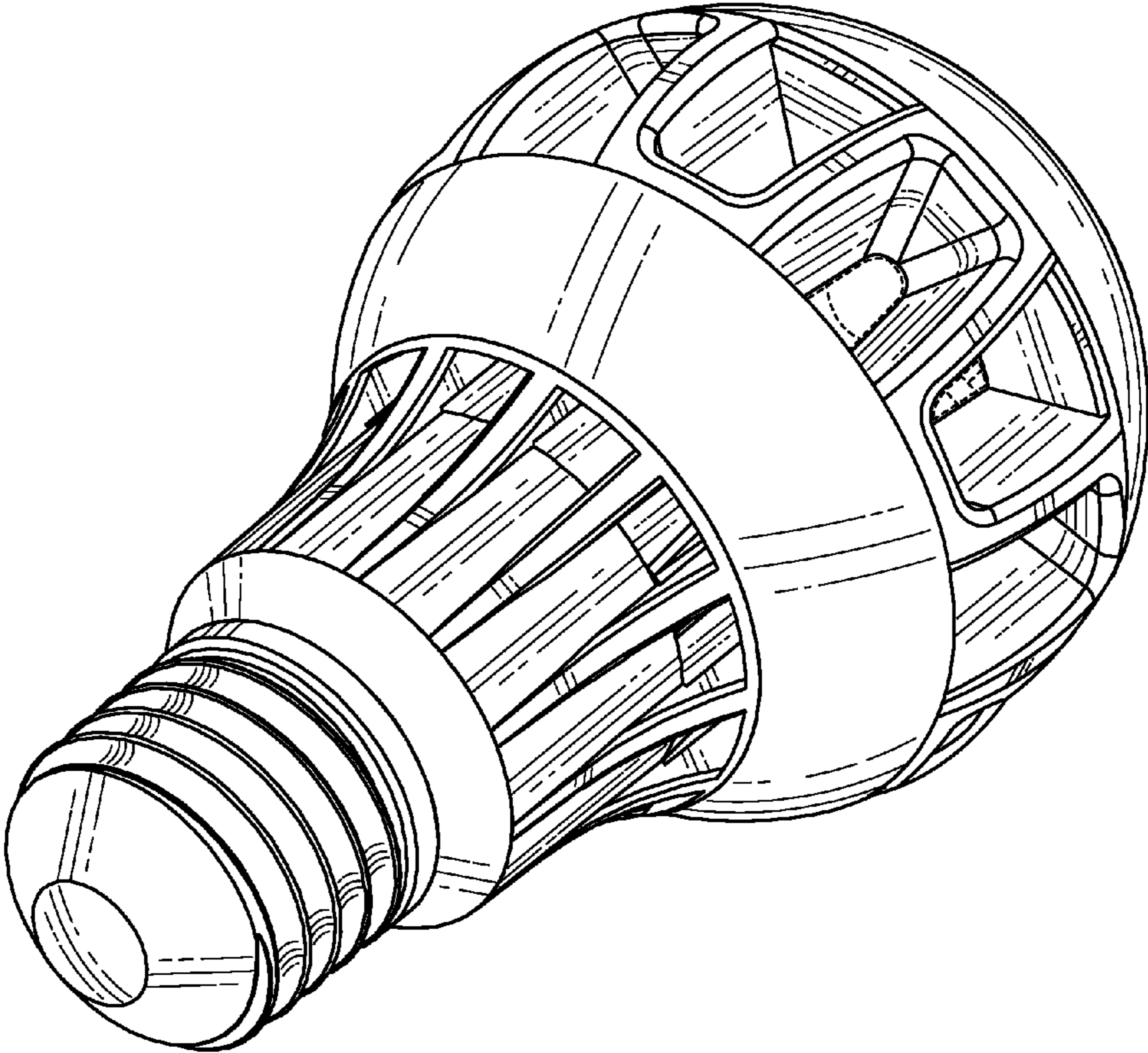


FIG. 5

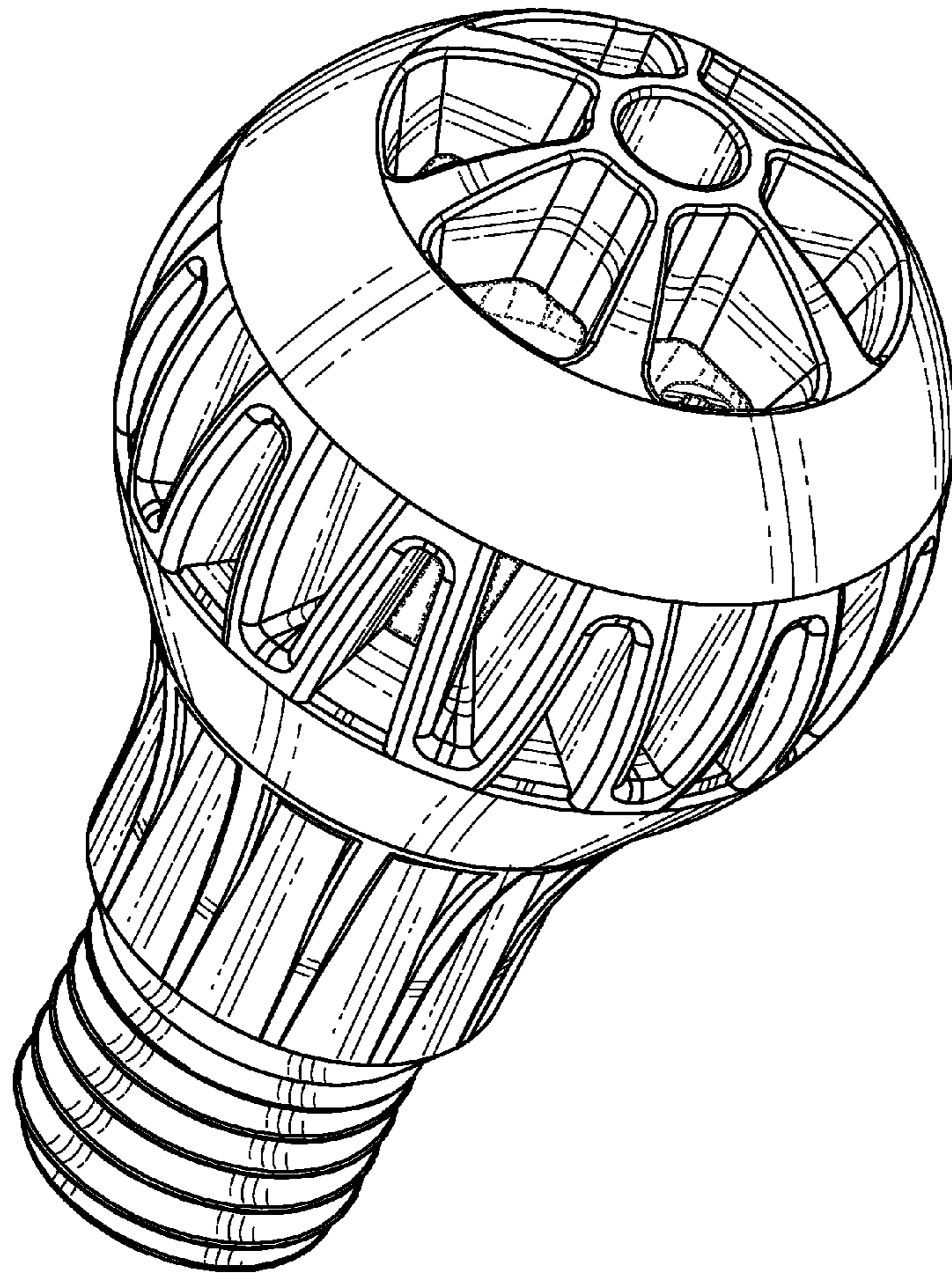


FIG. 6

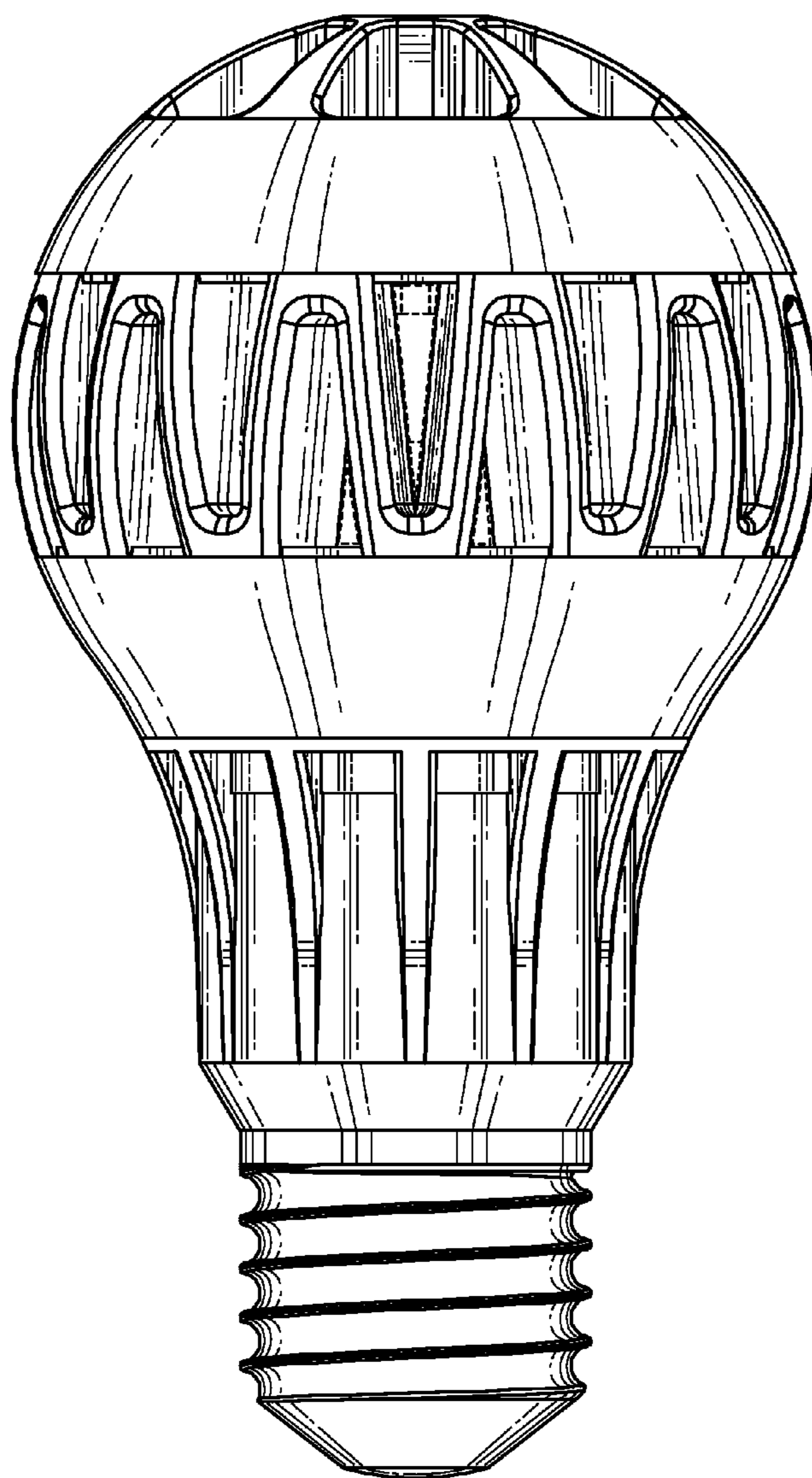


FIG. 7



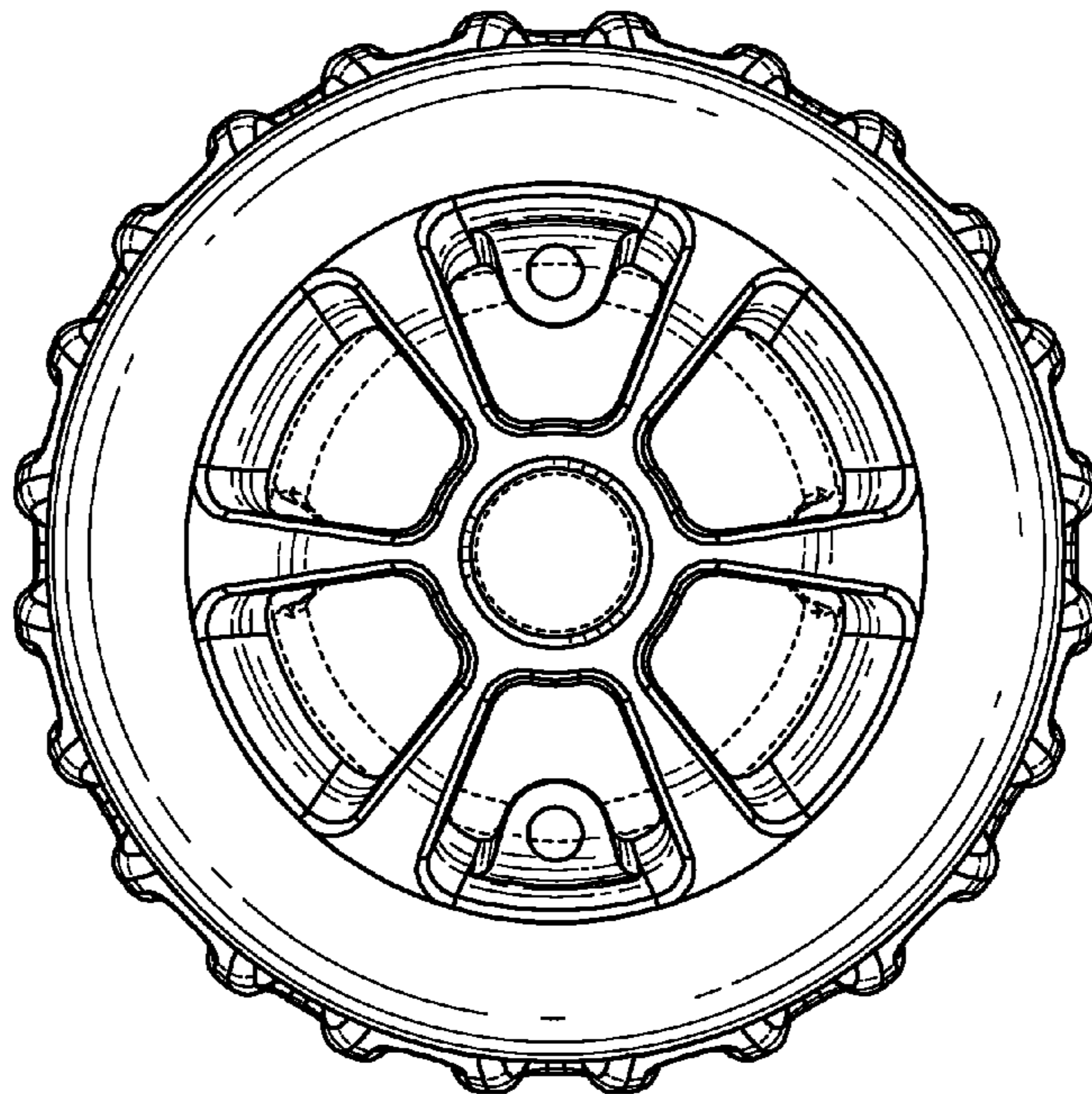


FIG. 8

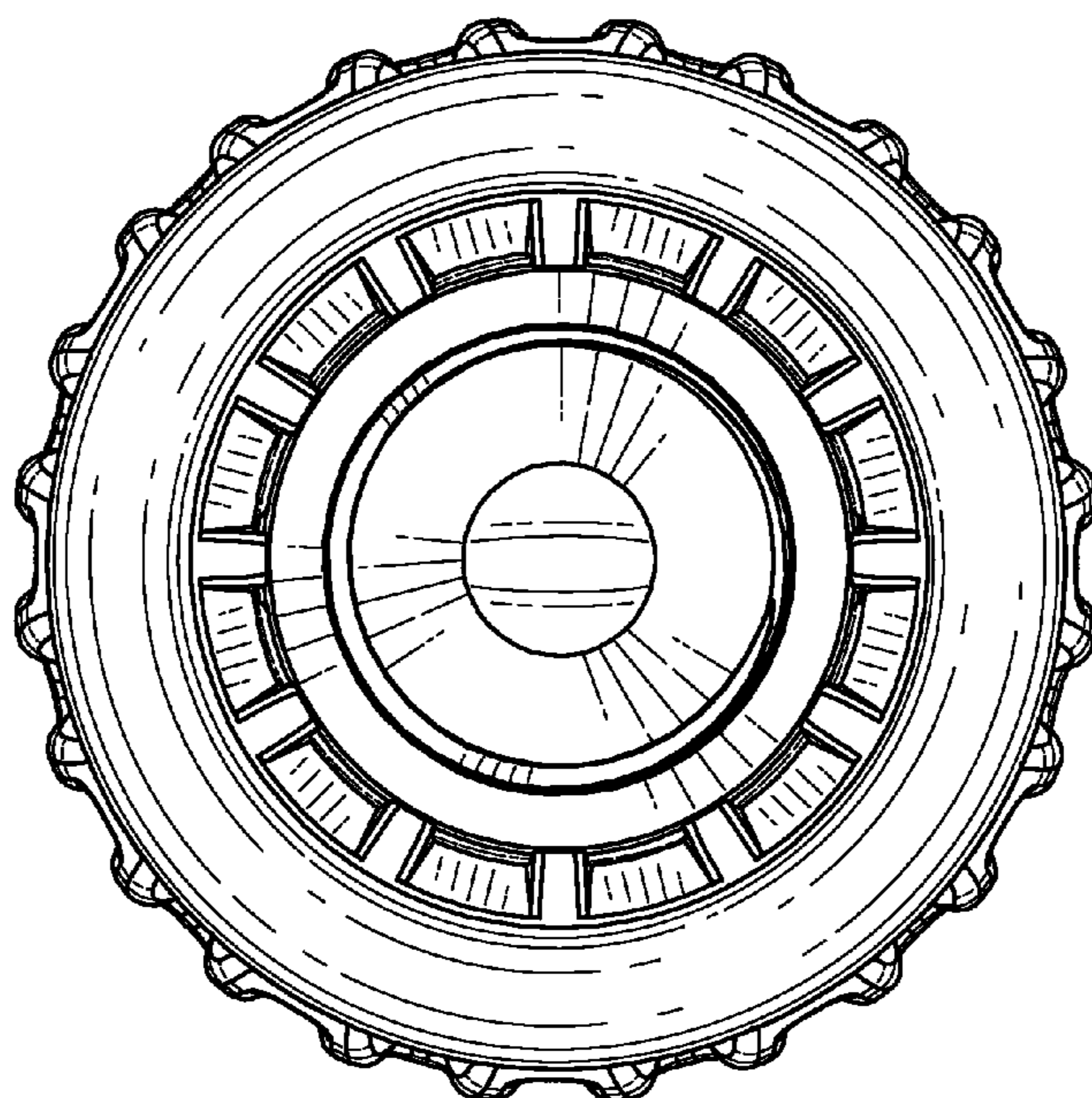


FIG. 9

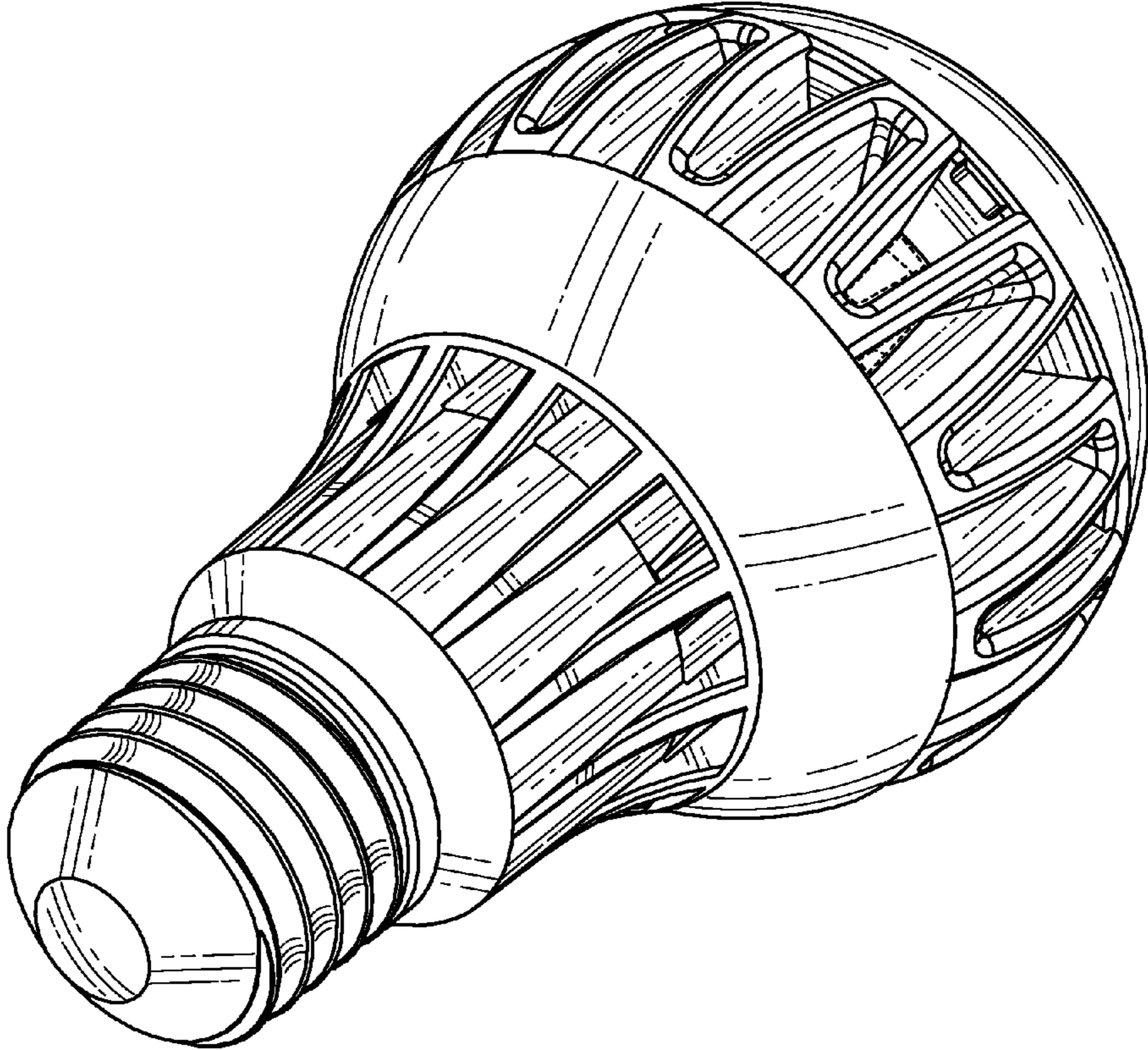


FIG. 10