



US00D677401S

(12) **United States Design Patent**
Griffiths

(10) **Patent No.:** **US D677,401 S**

(45) **Date of Patent:** **** Mar. 5, 2013**

(54) **WALL PANEL**

(75) Inventor: **Robert T. Griffiths**, Elk River, MN (US)

(73) Assignee: **Firestone Building Products Company, LLC**, Indianapolis, IN (US)

(**) Term: **14 Years**

(21) Appl. No.: **29/429,622**

(22) Filed: **Aug. 14, 2012**

Related U.S. Application Data

(62) Division of application No. 29/388,707, filed on Mar. 31, 2011, now Pat. No. Des. 667,963.

(51) **LOC (9) Cl.** **25-01**

(52) **U.S. Cl.** **D25/119; D25/141**

(58) **Field of Classification Search** D25/141,
D25/119, 125; 52/588.1, 478, 537, 235,
52/309.14, 518, 555

See application file for complete search history.

(56) **References Cited**

U.S. PATENT DOCUMENTS

5,725,201	A *	3/1998	Parth	256/24
D404,504	S *	1/1999	Dickey	D25/125
D443,078	S *	5/2001	Wilson	D25/141
D526,724	S *	8/2006	Chuang	D25/125

D526,726	S *	8/2006	Bragg et al.	D25/141
2006/0059836	A1 *	3/2006	Monsieur	52/588.1
2009/0301022	A1 *	12/2009	Rockwell et al.	52/588.1
2010/0088988	A1 *	4/2010	Gaudreau	52/309.1

* cited by examiner

Primary Examiner — Doris Clark

(74) *Attorney, Agent, or Firm* — Jason A. Houser; Fay Sharpe LLP

(57) **CLAIM**

The ornamental design for a wall panel, as shown and described.

DESCRIPTION

FIG. 1 is a perspective view of a wall panel illustrating of my new design;

FIG. 2 is a right side elevation view thereof;

FIG. 3 is a front elevation view thereof;

FIG. 4 is a rear elevation view thereof;

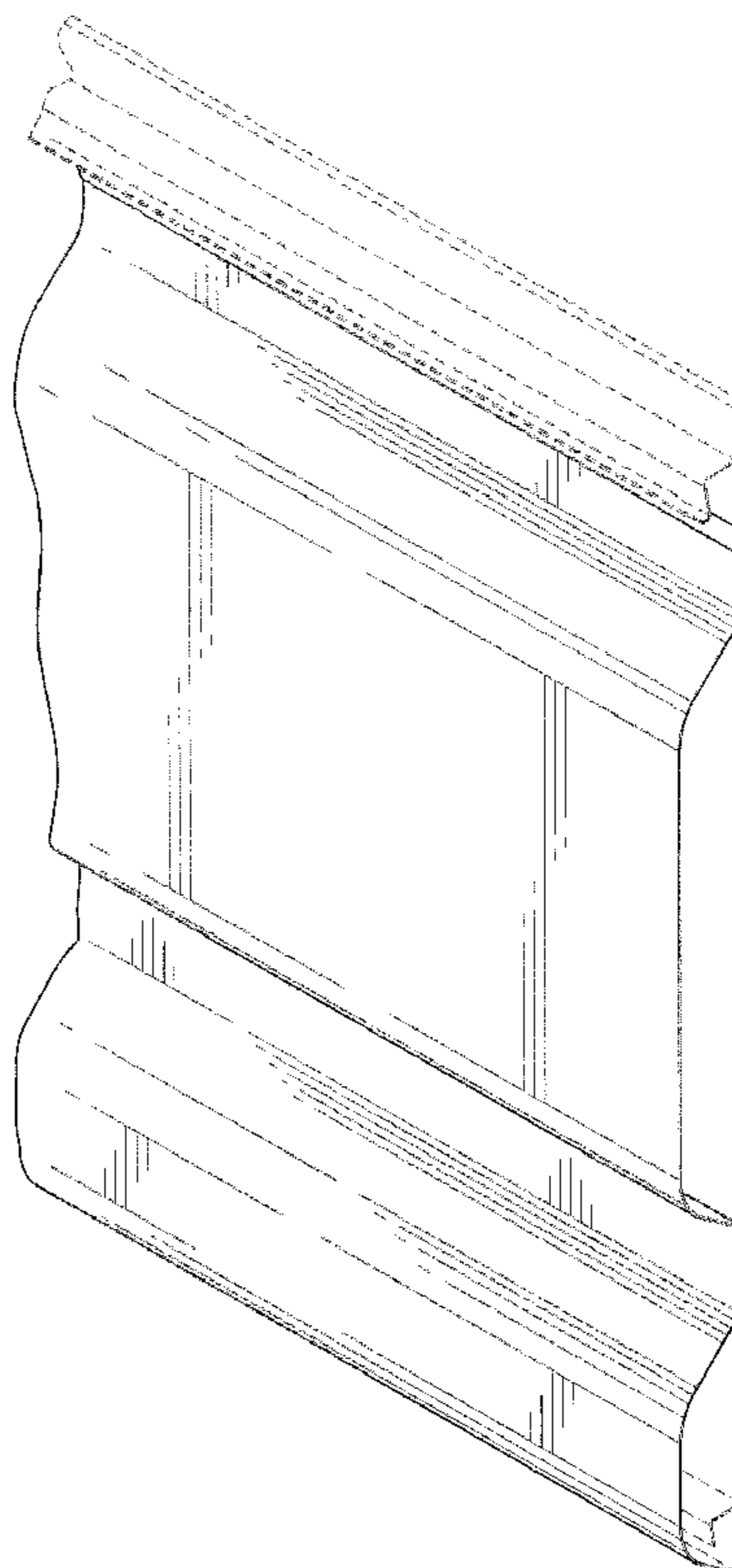
FIG. 5 is a top plan view thereof;

FIG. 6 is a bottom plan view thereof; and,

FIG. 7 is a perspective view of two wall panels interengaged with one another.

The broken lines are for illustrative purposes only and form no part of the claimed design. The claimed design is broken on one side to indicate indefinite length.

1 Claim, 4 Drawing Sheets



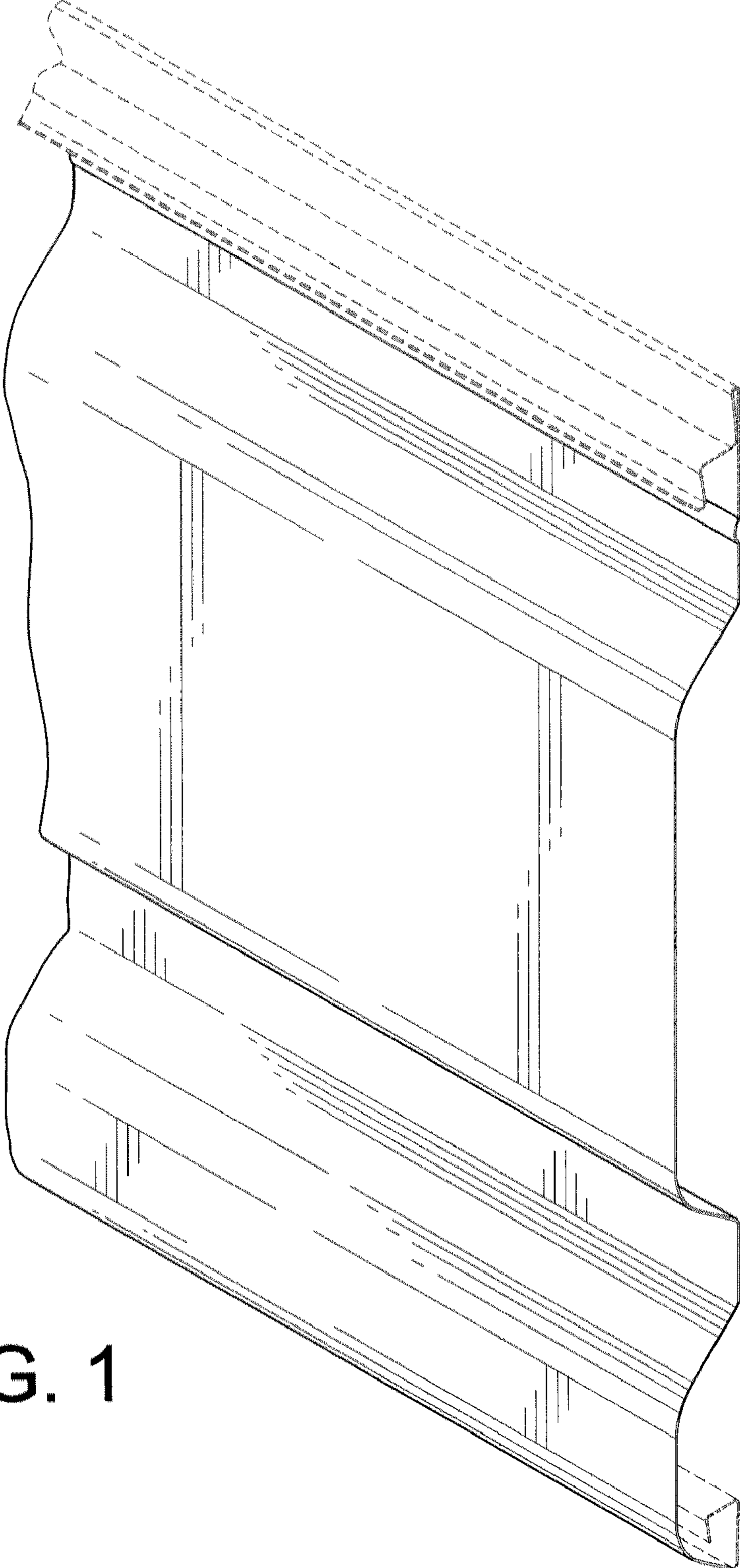


FIG. 1

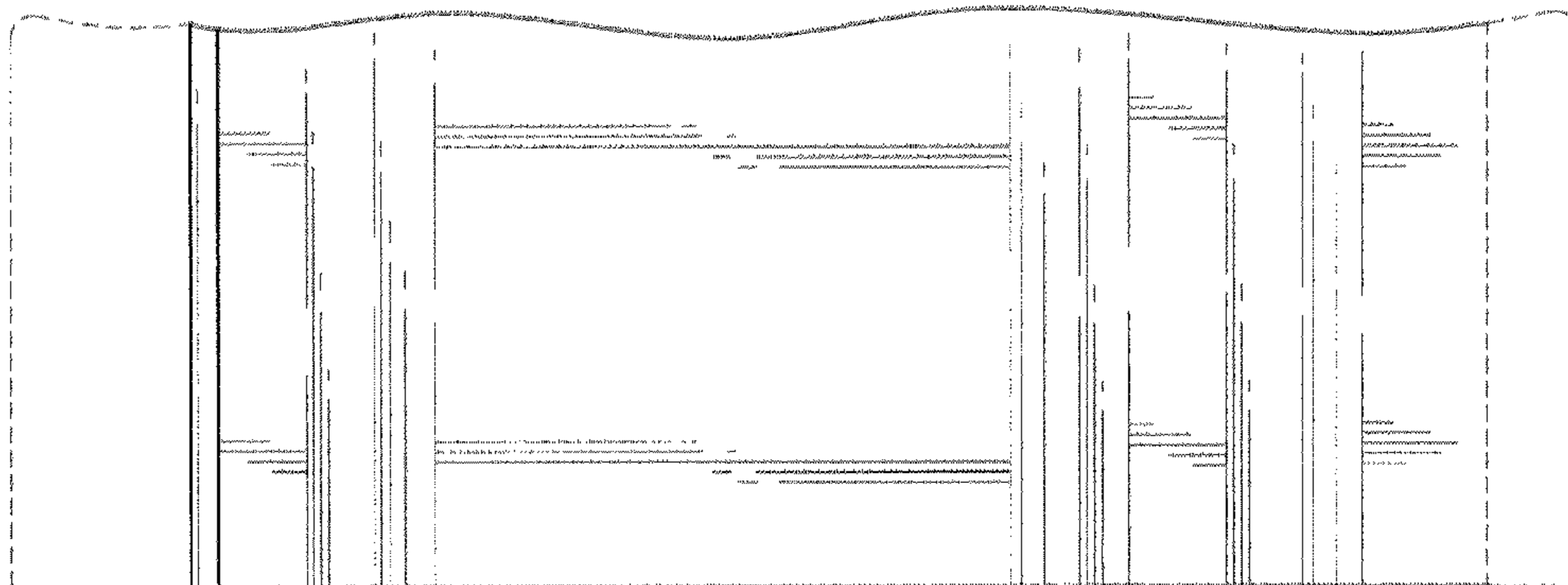


FIG. 4



FIG. 2

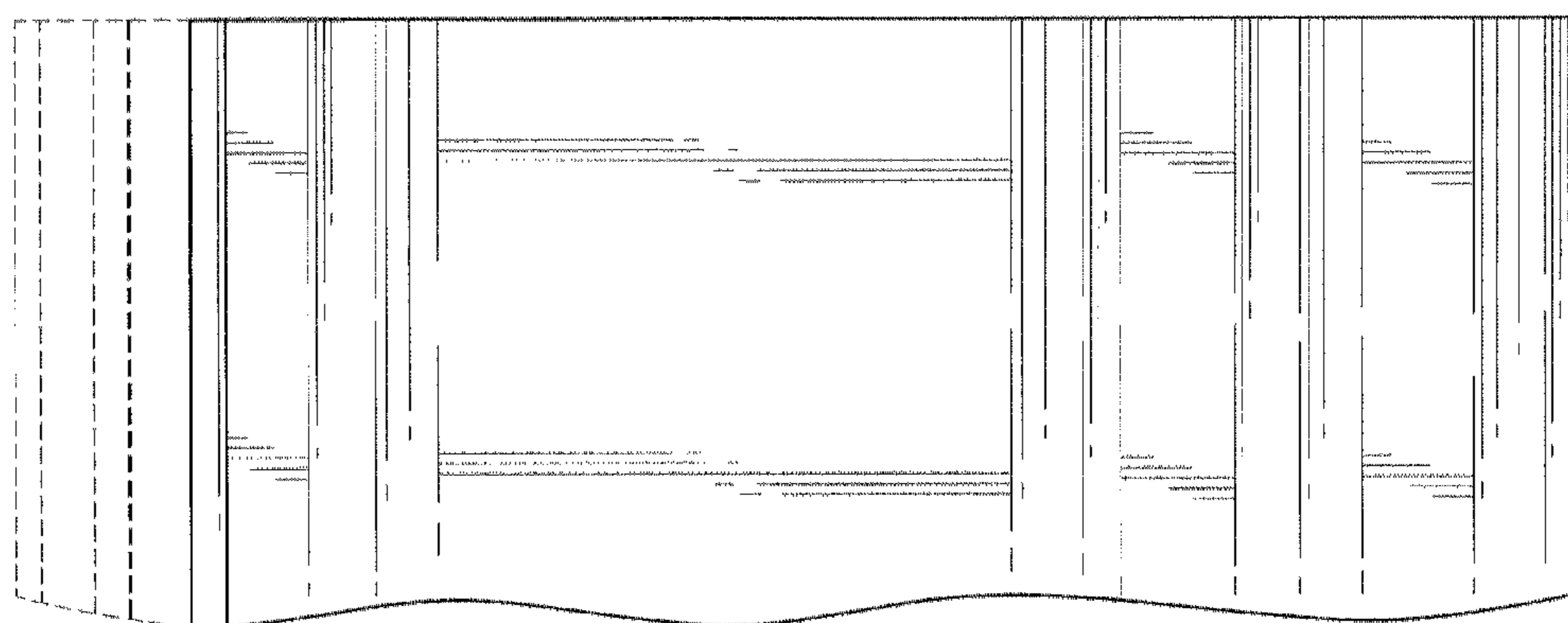


FIG. 3

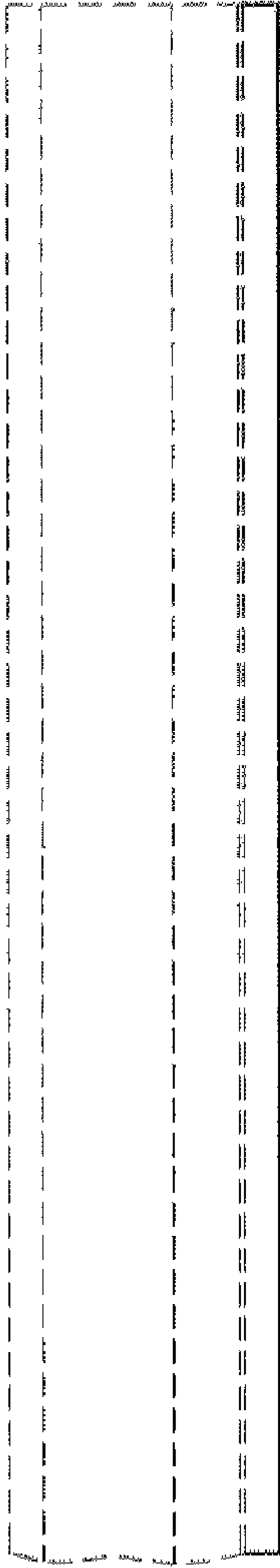


FIG. 5

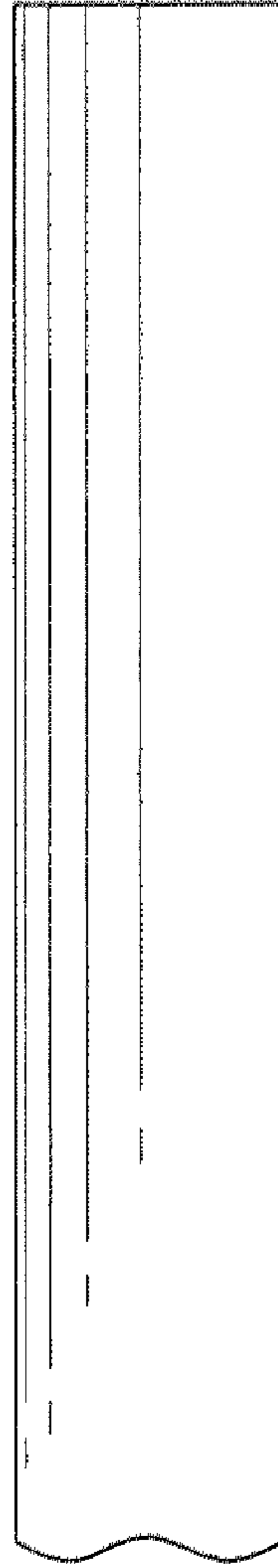


FIG. 6

FIG. 7

