



US00D677397S

(12) **United States Design Patent**  
**Belfance et al.**

(10) **Patent No.:** **US D677,397 S**  
(45) **Date of Patent:** **\*\* Mar. 5, 2013**

(54) **VIAL**

(75) Inventors: **John Belfance**, Phenix City, AL (US);  
**Ronald Supranowicz**, Lenox, MA (US)

(73) Assignee: **CSP Technologies, Inc.**, Auburn, AL  
(US)

(\*\*) Term: **14 Years**

(21) Appl. No.: **29/397,850**

(22) Filed: **Jul. 21, 2011**

**Related U.S. Application Data**

(63) Continuation of application No. 29/380,884, filed on  
Dec. 13, 2010, now Pat. No. Des. 644,739.

(51) **LOC (9) Cl.** ..... **24-01**

(52) **U.S. Cl.** ..... **D24/224**

(58) **Field of Classification Search** ..... D24/216-232,  
D24/110, 115; D10/81; 422/500, 547, 549,  
422/556, 557, 558; 435/287.1, 288.1; D3/201,  
D3/203.1, 203.2; D9/435, 445, 446, 449,  
D9/454, 503, 504, 529; 215/235-237  
See application file for complete search history.

(56) **References Cited**

**U.S. PATENT DOCUMENTS**

6,221,655	B1 *	4/2001	Fung et al.	435/288.1
D491,275	S *	6/2004	Walters et al.	D24/224
6,769,558	B1 *	8/2004	Bucholtz	215/237
D555,490	S *	11/2007	Liu	D9/549
7,472,797	B2 *	1/2009	Ostrowski	215/306
D606,399	S *	12/2009	Scuturio	D9/449
D613,495	S *	4/2010	Foreman	D3/203.2
D621,951	S *	8/2010	Bucholtz et al.	D24/224
7,915,032	B2 *	3/2011	Ostrowski et al.	435/287.7
2003/0150191	A1 *	8/2003	Odet	53/285
2008/0081000	A1 *	4/2008	MacLeod et al.	422/68.1
2008/0116163	A1 *	5/2008	Sawyer	215/225
2009/0095699	A1 *	4/2009	Milante	215/217

\* cited by examiner

*Primary Examiner* — Anhdao Doan

(74) *Attorney, Agent, or Firm* — Alissa L. Saenz

(57) **CLAIM**

The ornamental design for a vial, as shown and described.

**DESCRIPTION**

FIG. 1 is a perspective view of a first embodiment of the vial, in a closed state;

FIG. 2 is a perspective view of the vial of FIG. 1, in an opened state;

FIG. 3 is a top plan view of the vial of FIG. 1, in an opened state;

FIG. 4 is a bottom plan view of the vial of FIG. 1, in an opened state;

FIG. 5 is a right side elevation of the vial of FIG. 1, in an opened state;

FIG. 6 is a front elevation of the vial of FIG. 1, in an opened state;

FIG. 7 is a left side elevation of the vial of FIG. 1, in an opened state;

FIG. 8 is a rear elevation of the vial of FIG. 1, in an opened state;

FIG. 9 is a perspective view of a second embodiment of the vial, in an opened state;

FIG. 10 is a top plan view of the vial of FIG. 9, in an opened state;

FIG. 11 is a bottom plan view of the vial of FIG. 9, in an opened state;

FIG. 12 is a right side elevation of the vial of FIG. 9, in an opened state;

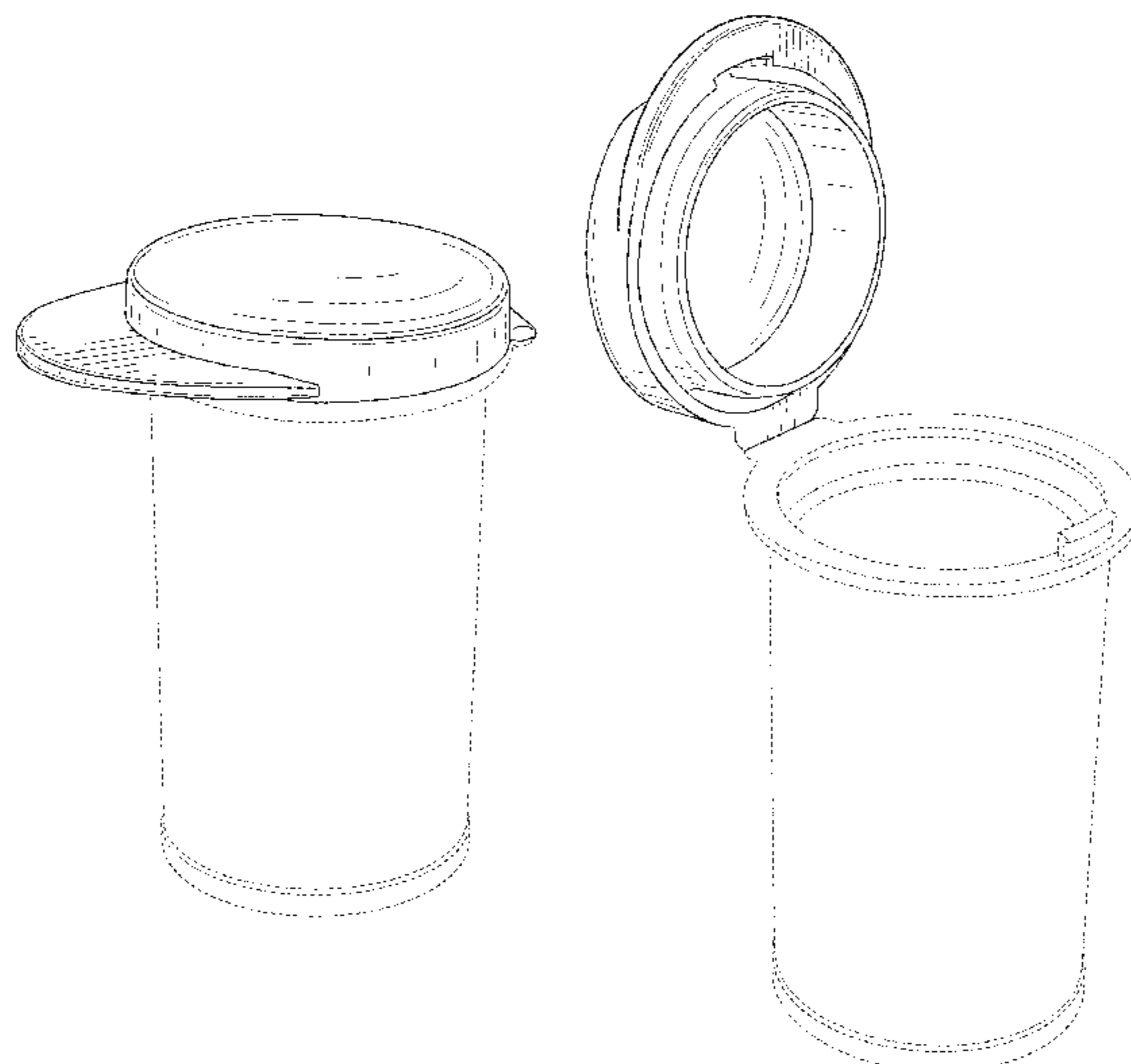
FIG. 13 is a front elevation of the vial of FIG. 9, in an opened state;

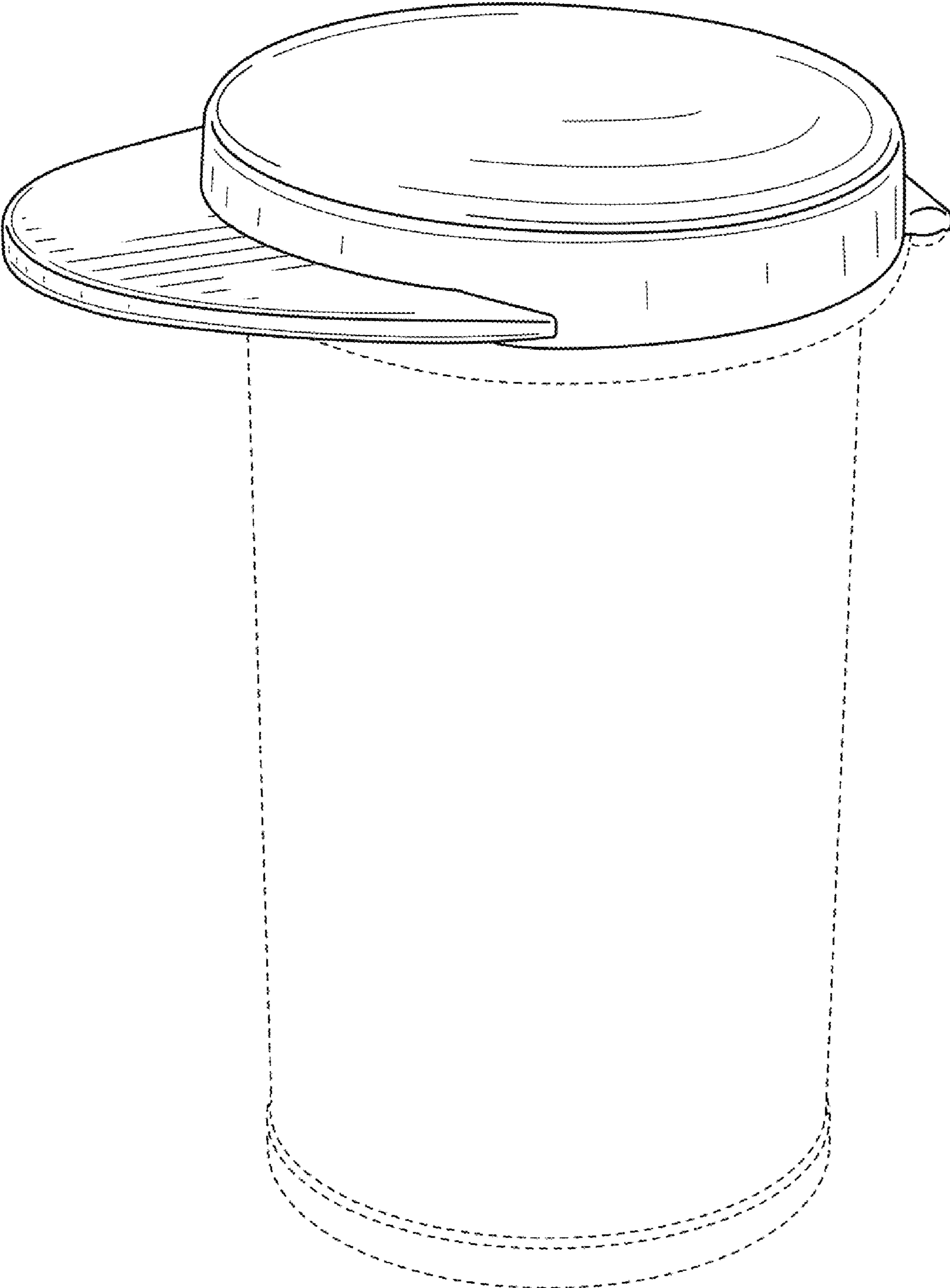
FIG. 14 is a left side elevation of the vial of FIG. 9, in an opened state; and,

FIG. 15 is a rear elevation of the vial of FIG. 9, in an opened state.

The broken lines in the drawing views are included for the purpose of illustrating portions of the vial that form no part of the claimed design.

**1 Claim, 9 Drawing Sheets**





**FIG. 1**

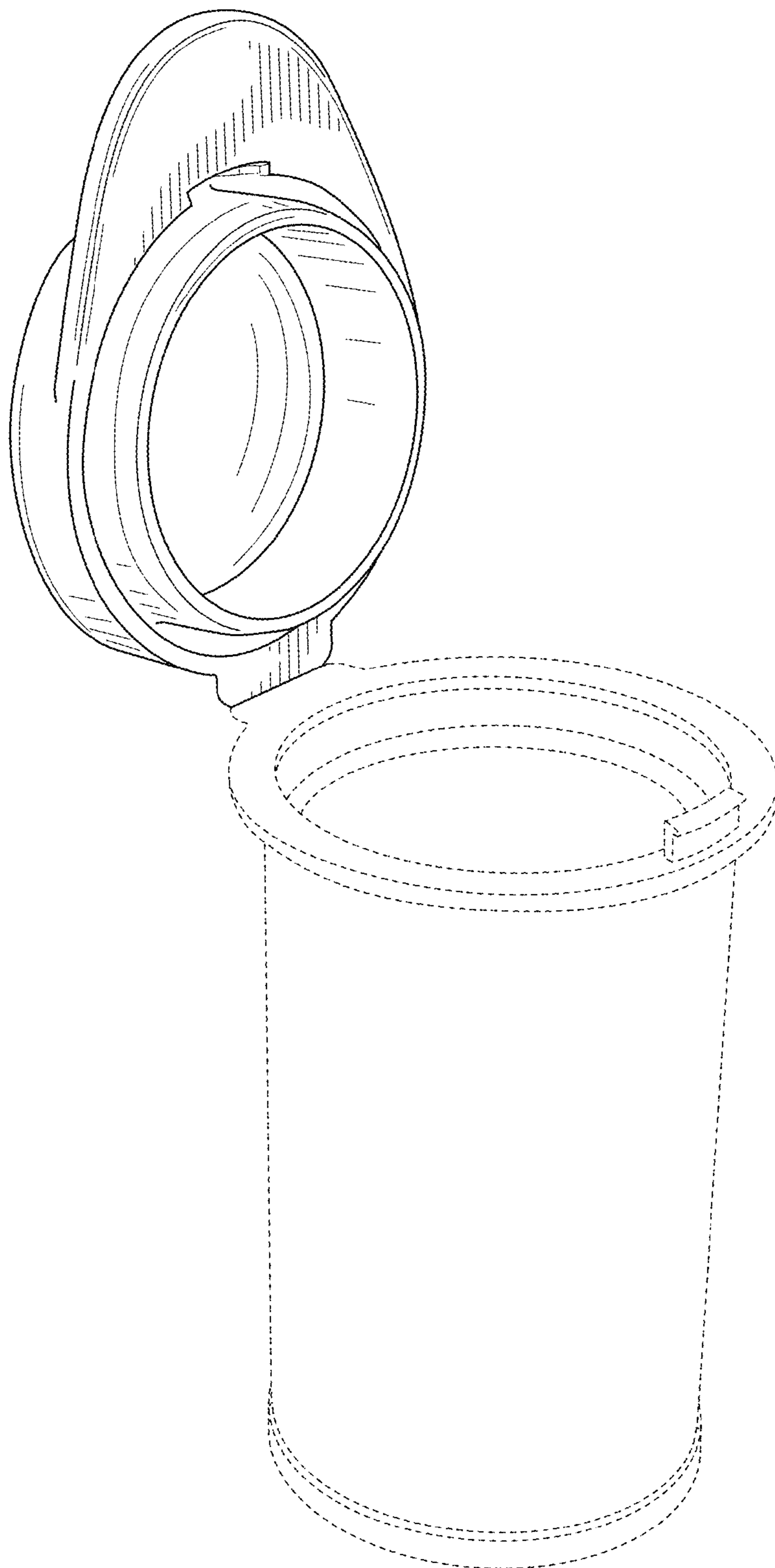
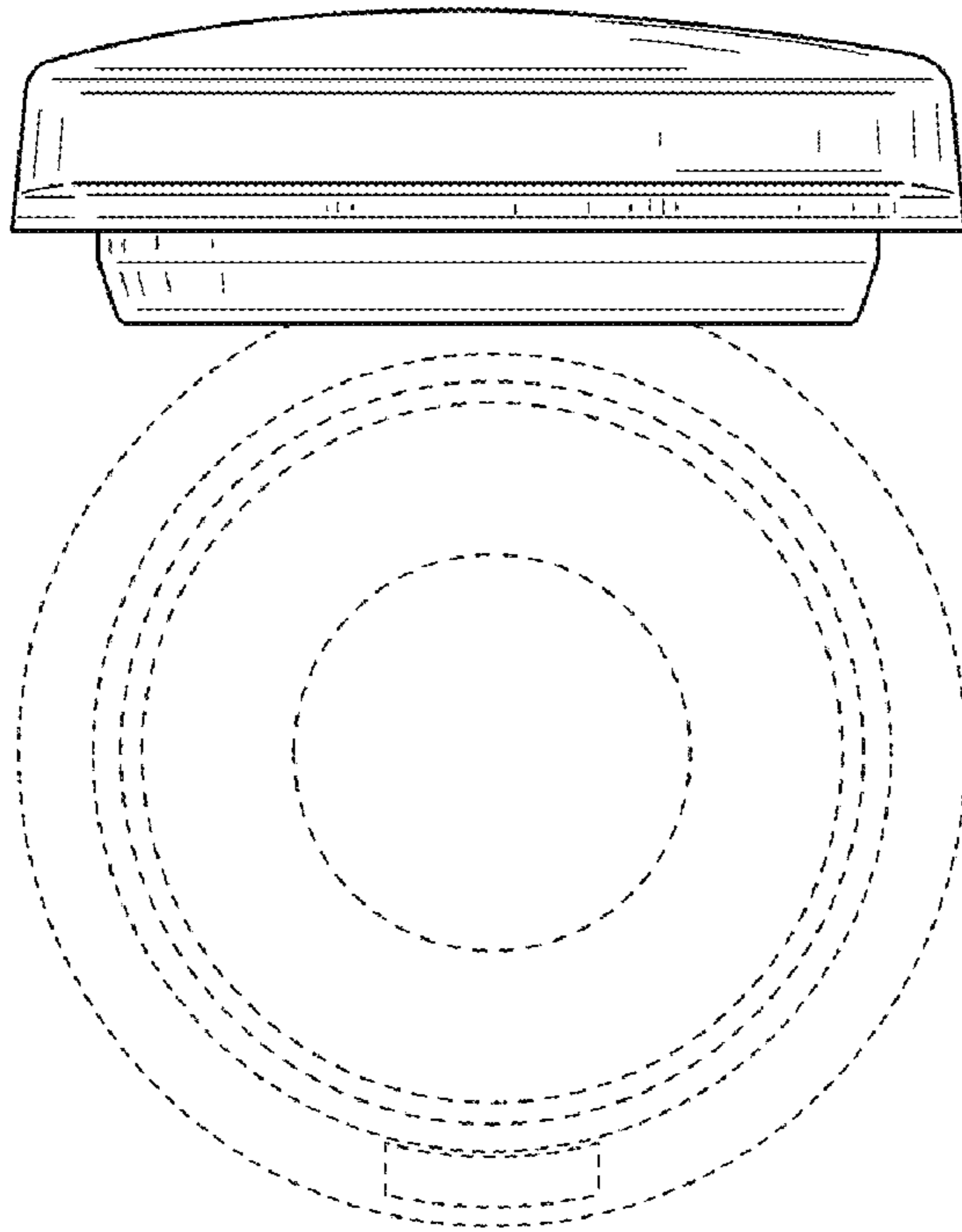
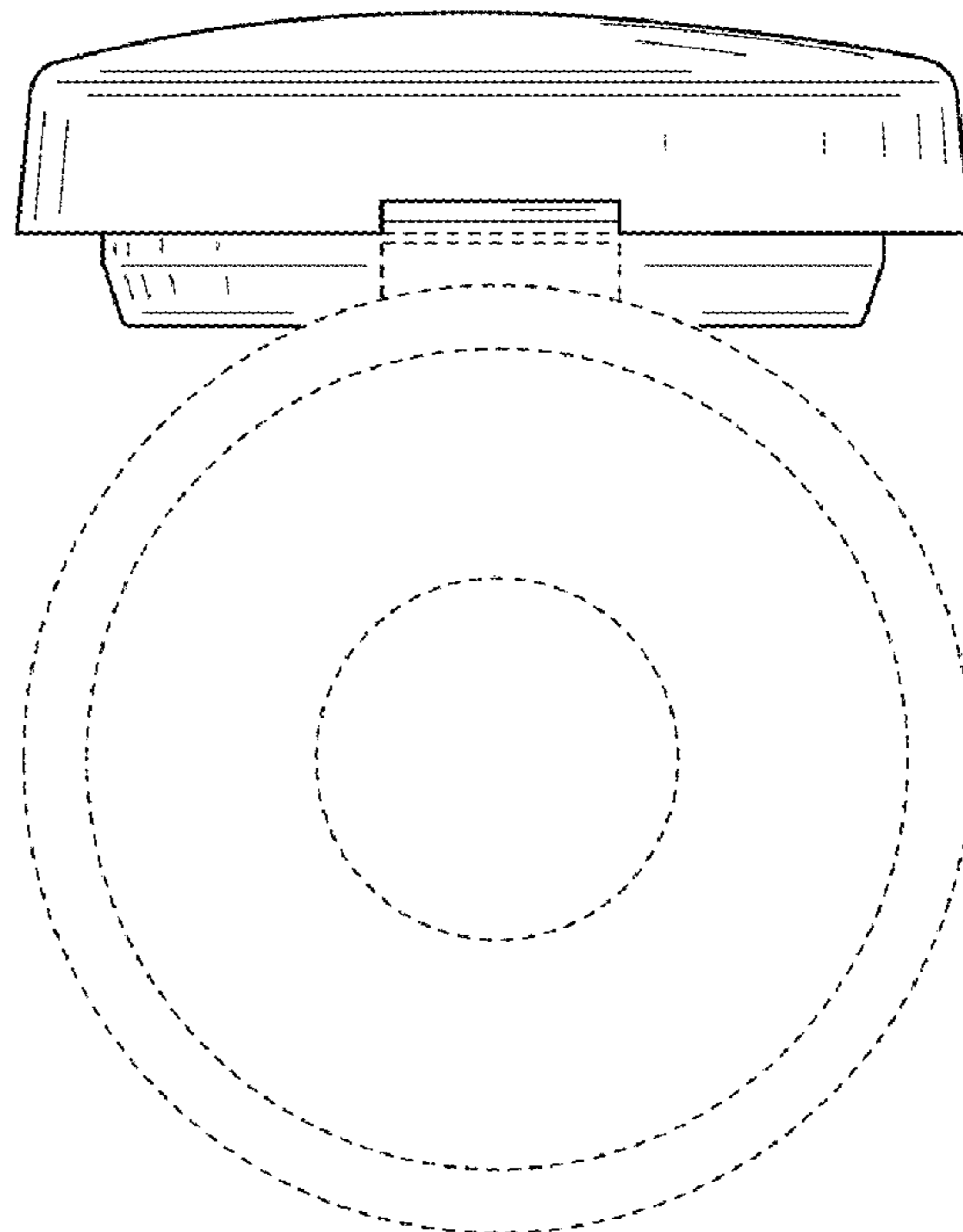


FIG. 2



**FIG. 3**



**FIG. 4**

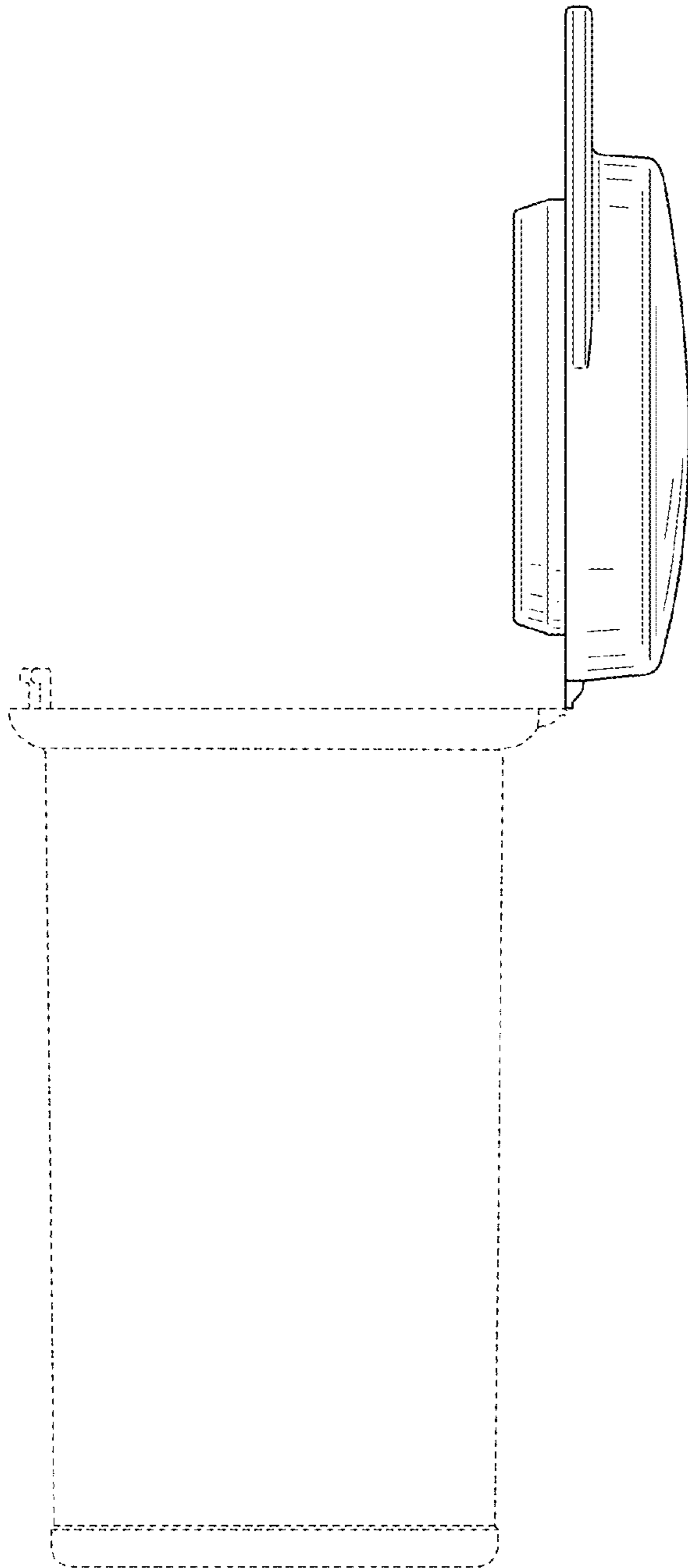


FIG. 5

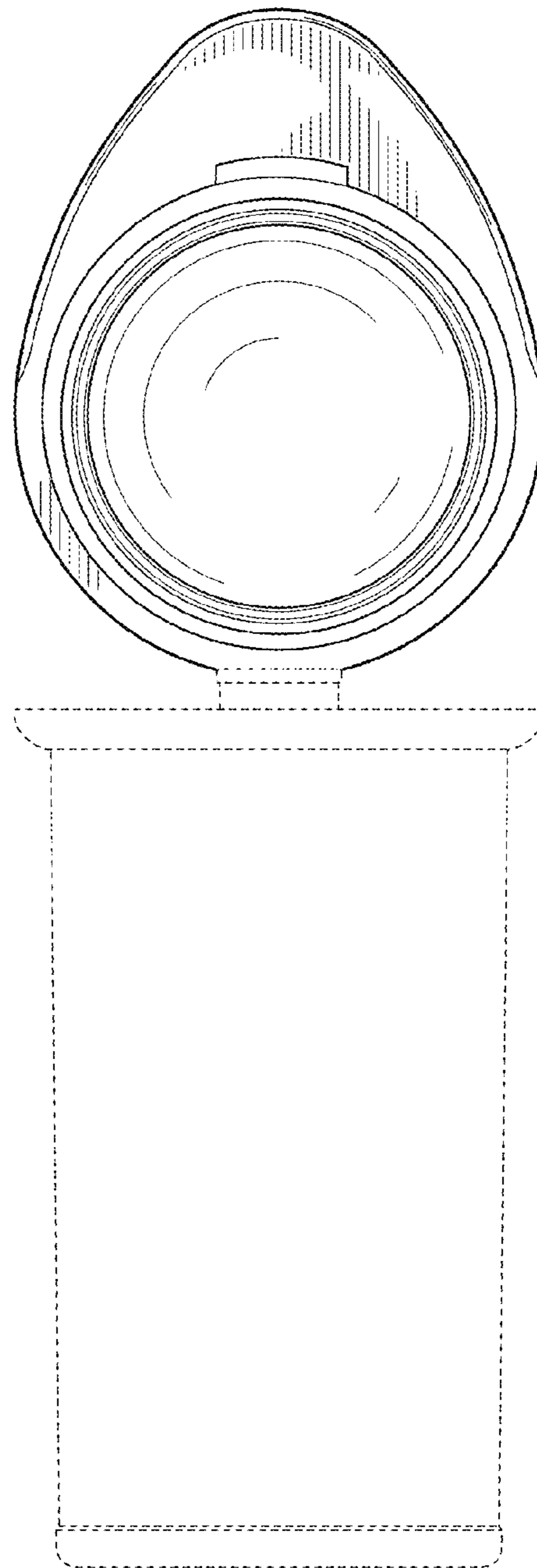
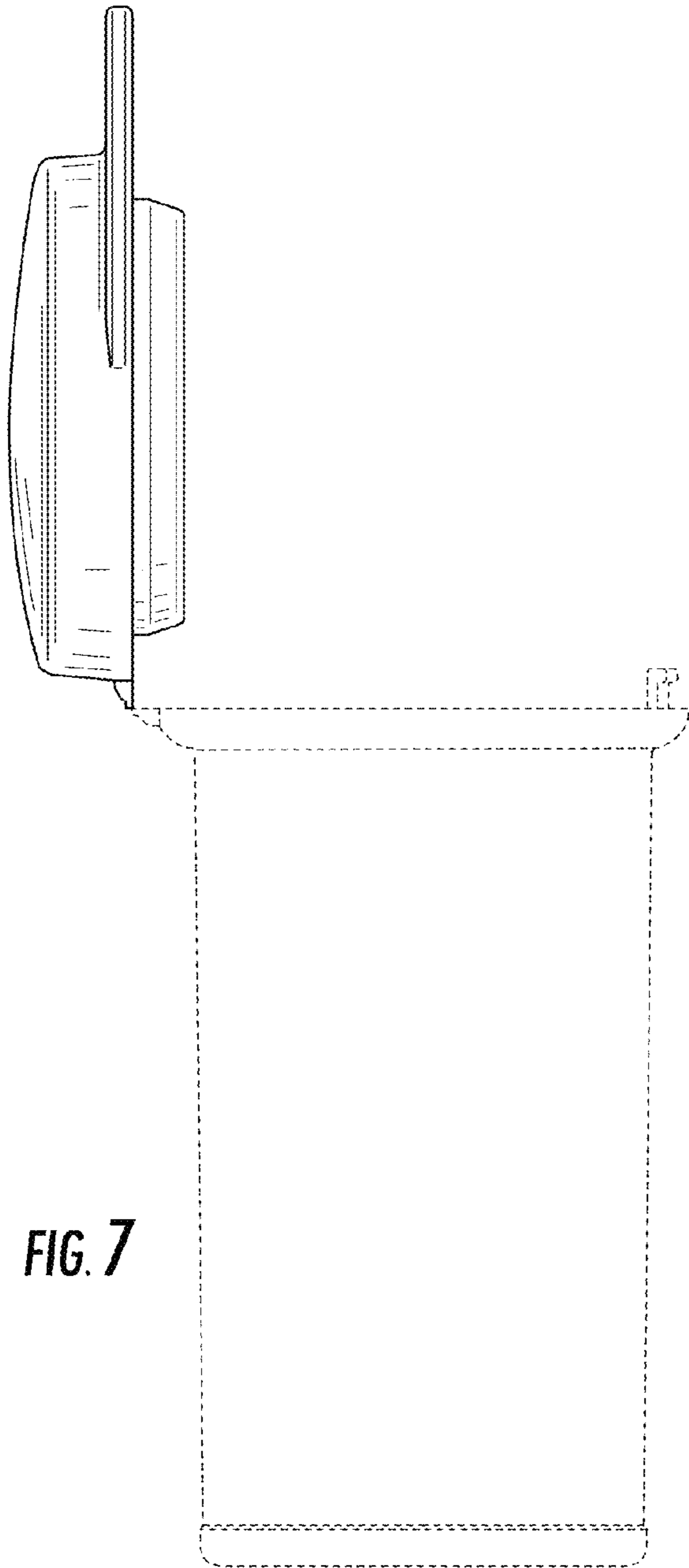
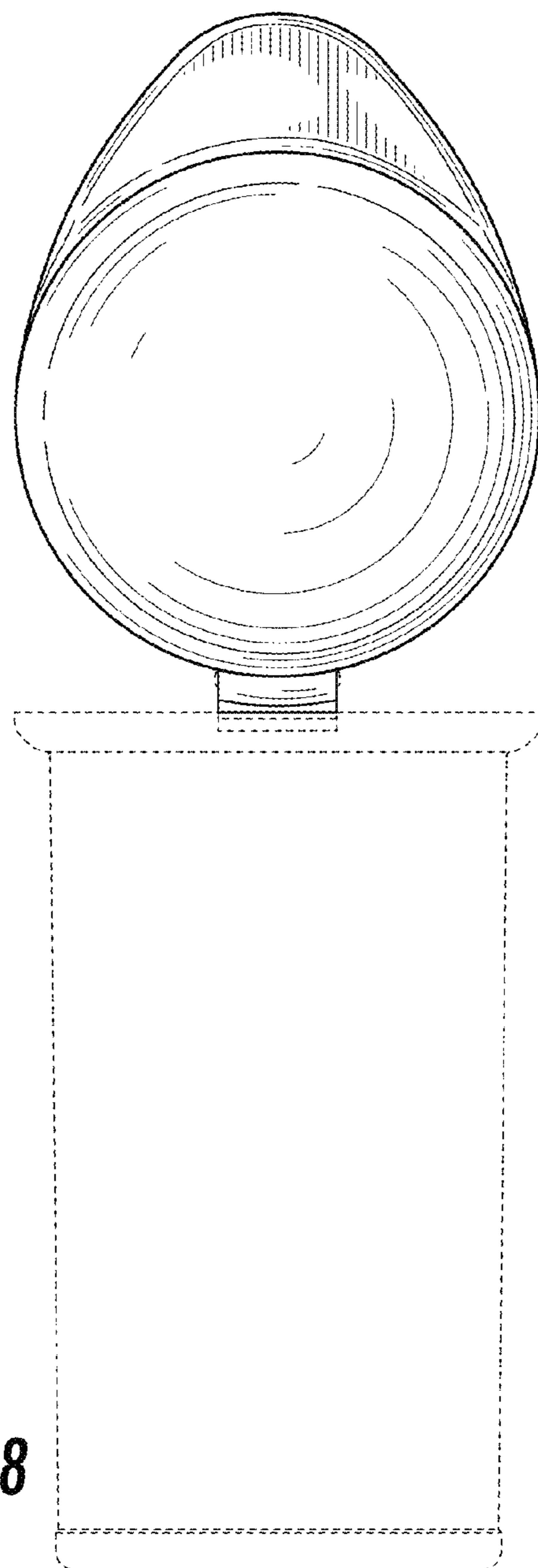


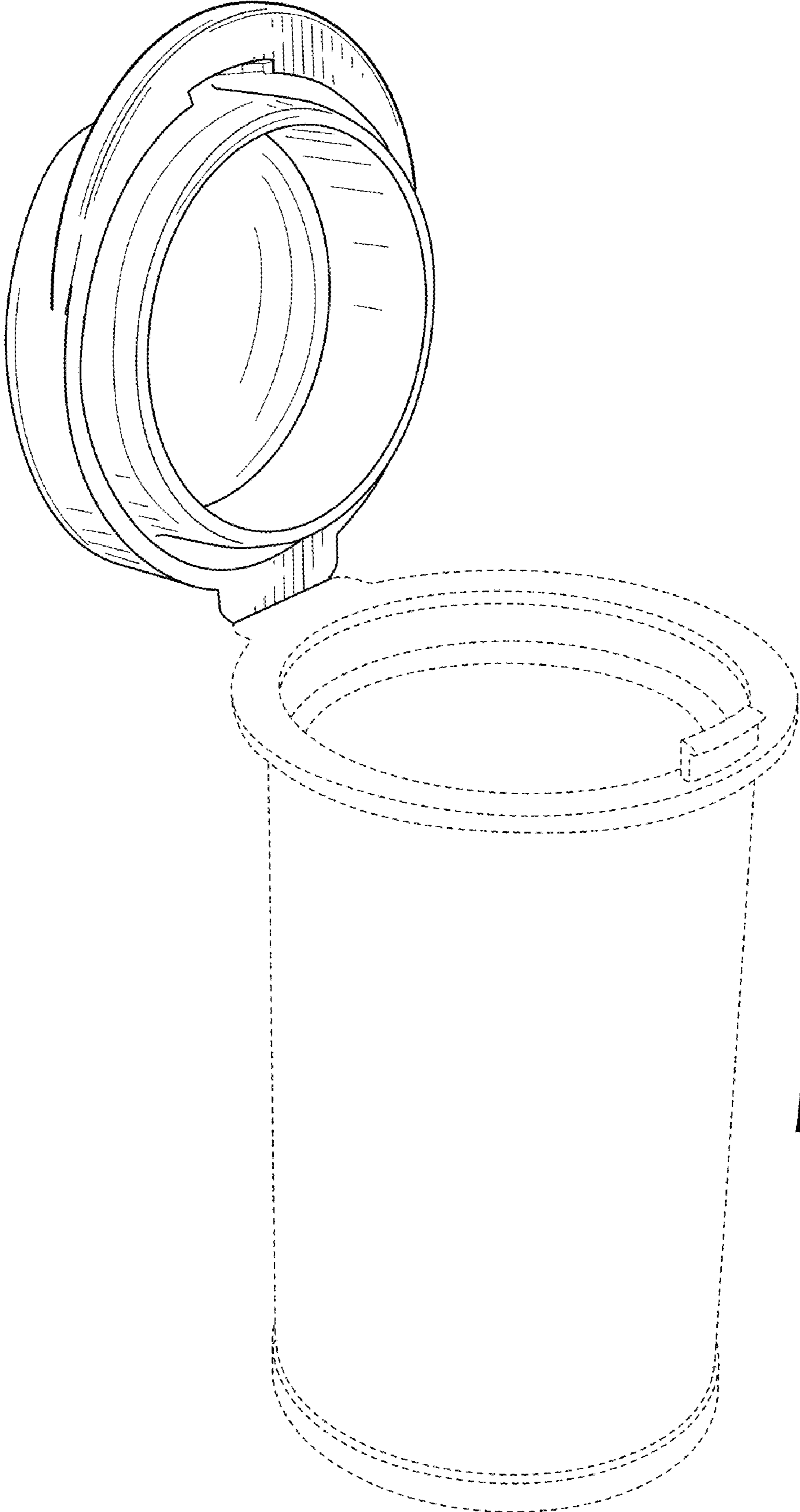
FIG. 6



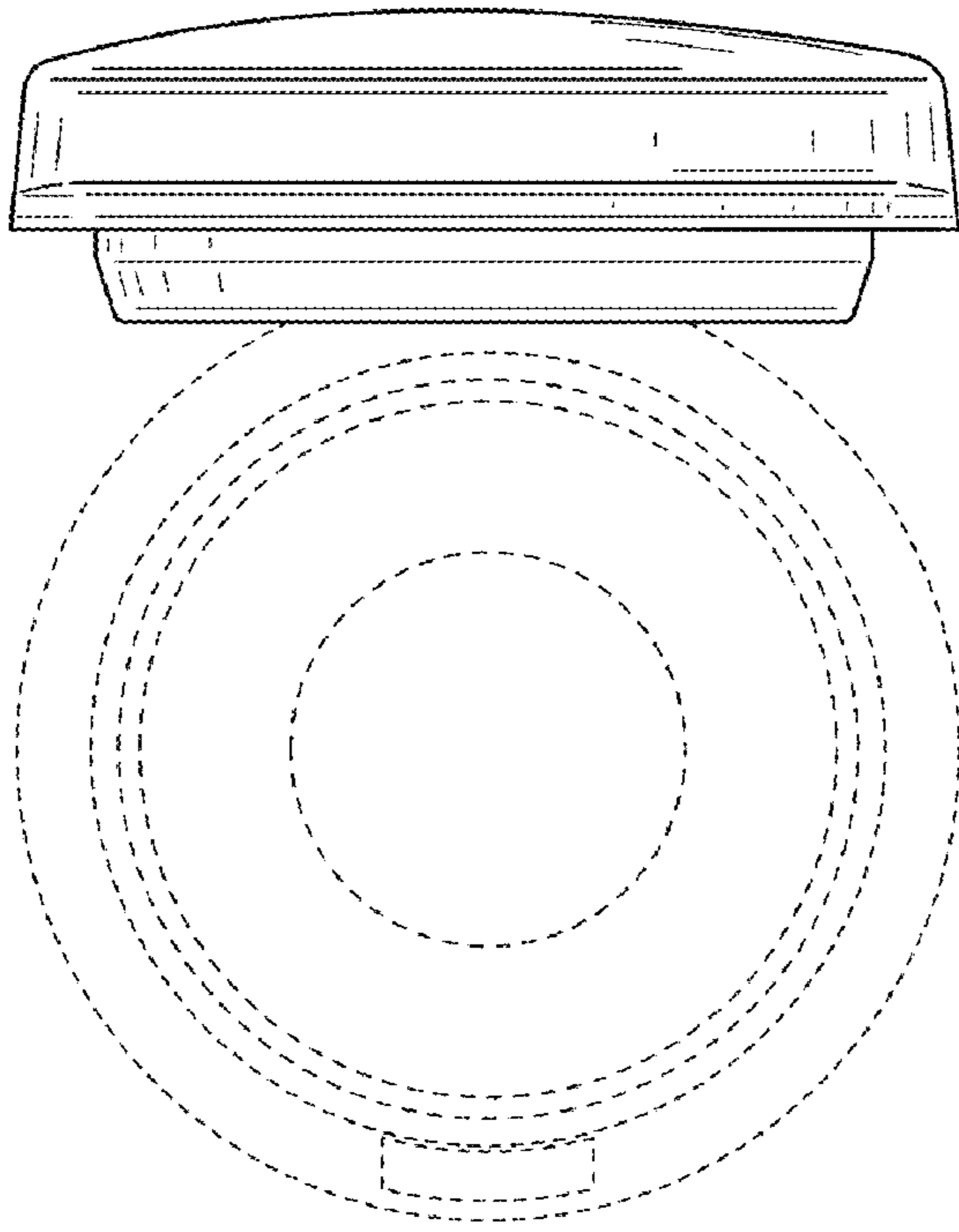
**FIG. 7**



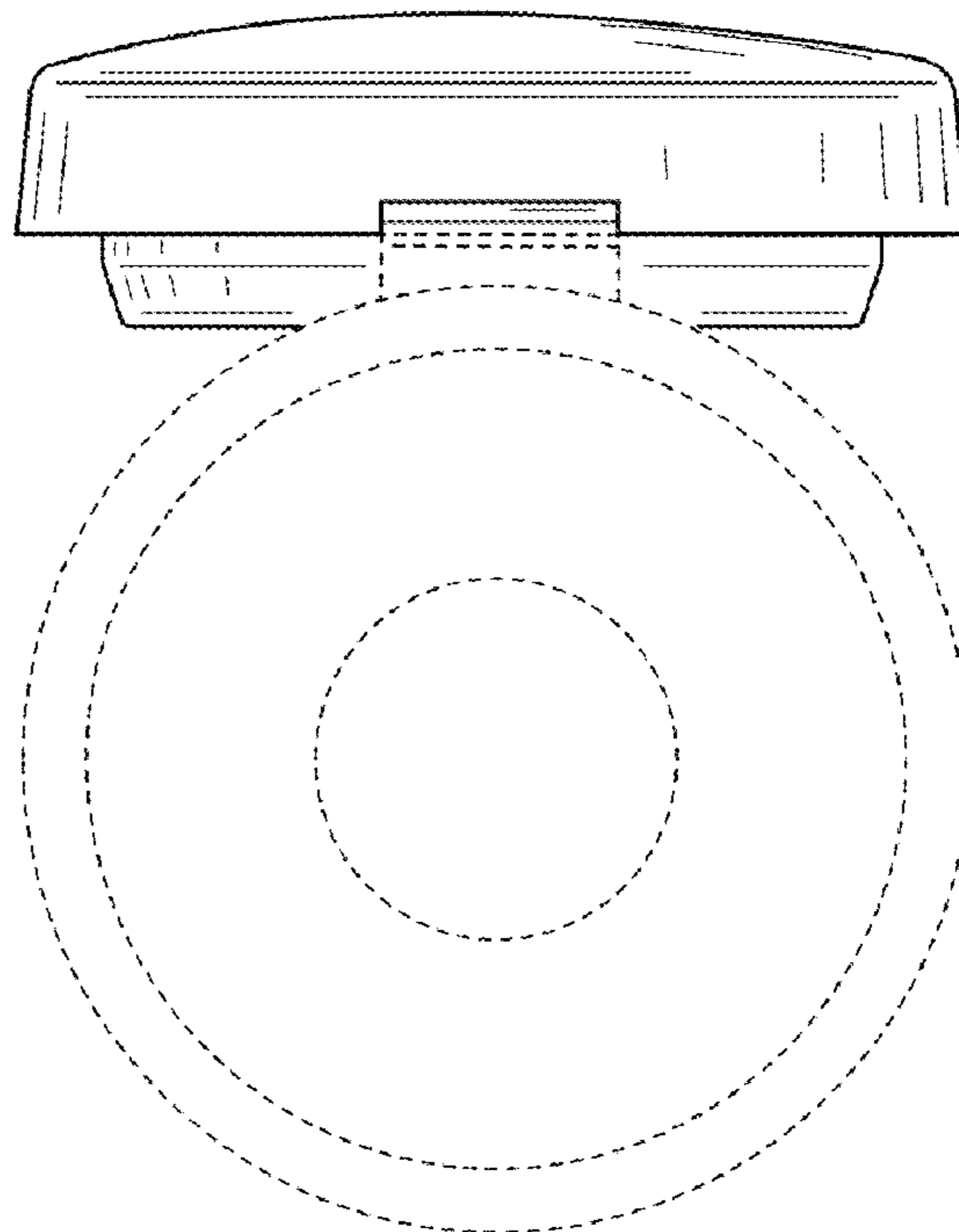
**FIG. 8**



**FIG. 9**

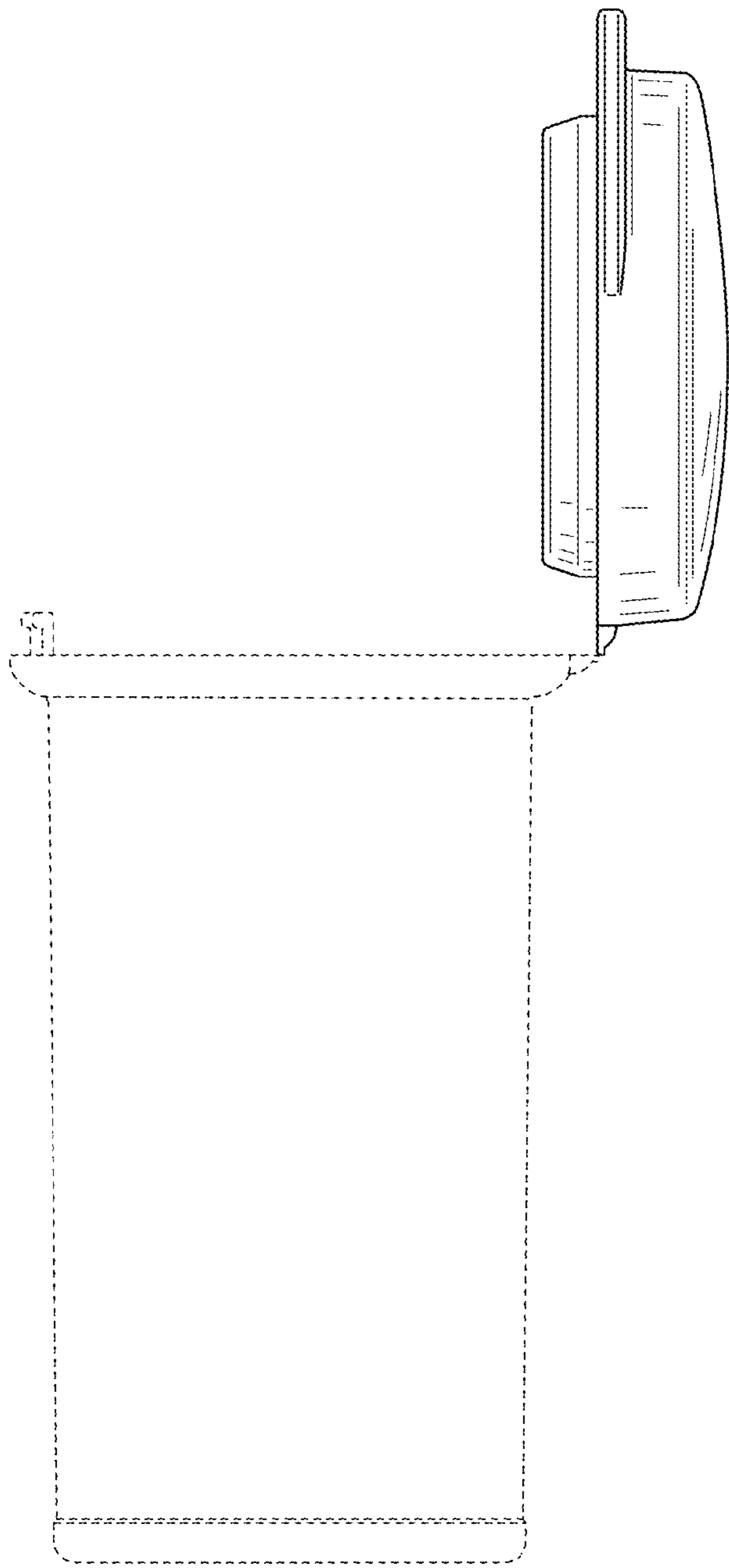


**FIG. 10**

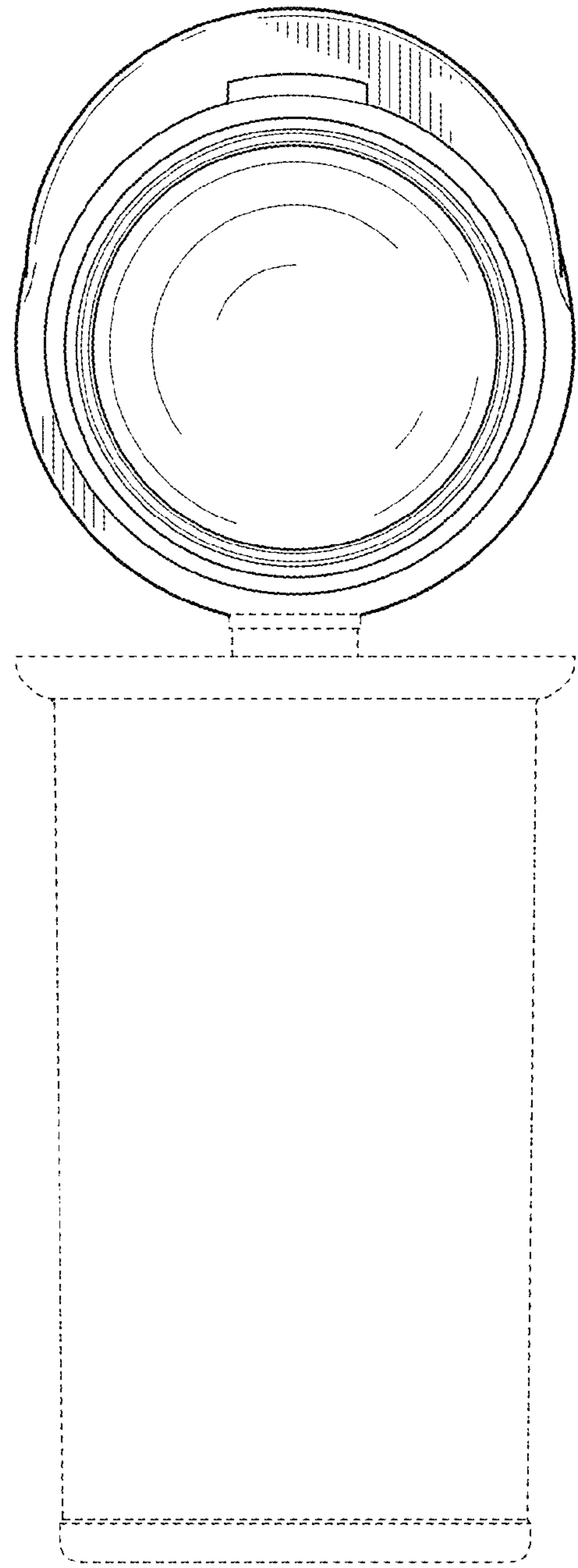


**FIG. 11**





**FIG. 12**



**FIG. 13**

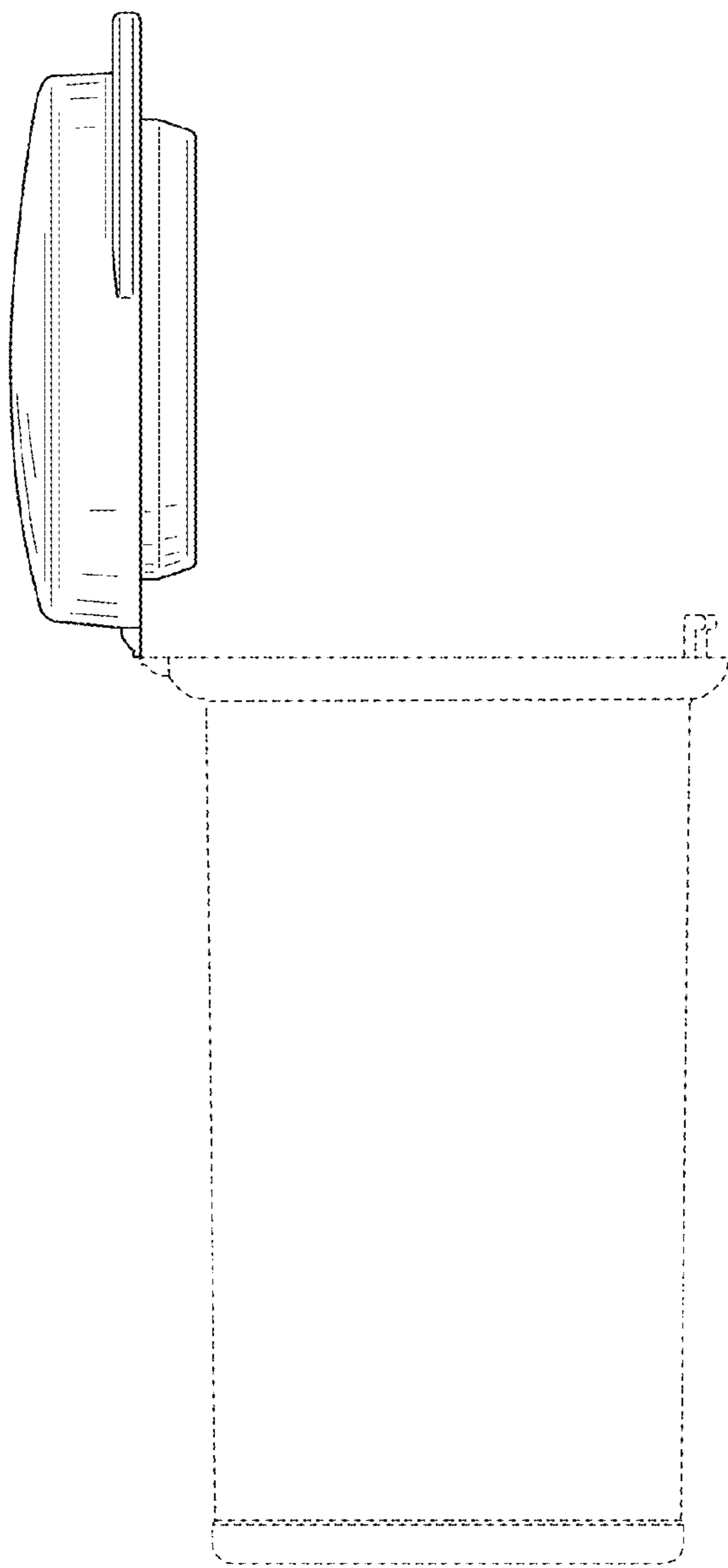


FIG. 14

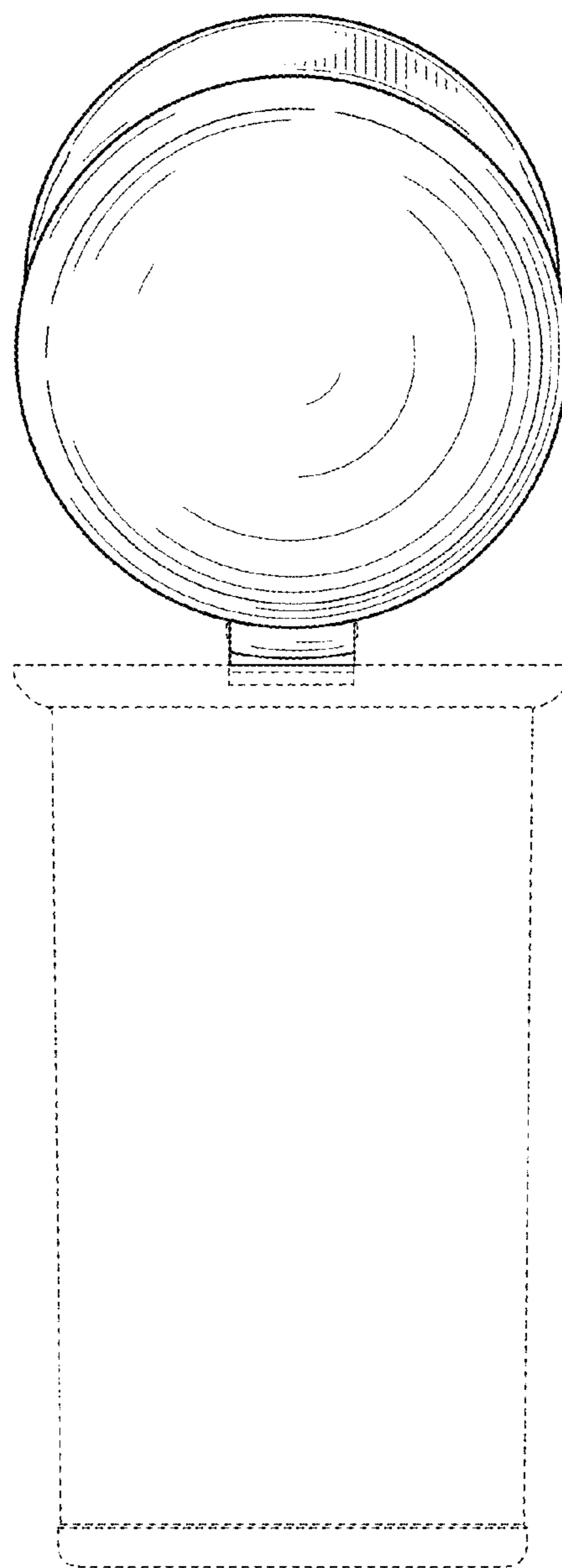


FIG. 15