



US00D677396S

(12) **United States Design Patent**  
**Belfance et al.**

(10) **Patent No.:** **US D677,396 S**  
(45) **Date of Patent:** **\*\* Mar. 5, 2013**

(54) **VIAL**

(75) Inventors: **John Belfance**, Phenix City, AL (US);  
**Ronald Supranowicz**, Lenox, MA (US)

(73) Assignee: **CSP Technologies, Inc.**, Auburn, AL  
(US)

(\*\*) Term: **14 Years**

(21) Appl. No.: **29/397,849**

(22) Filed: **Jul. 21, 2011**

**Related U.S. Application Data**

(63) Continuation of application No. 29/380,881, filed on  
Dec. 13, 2010, now Pat. No. Des. 644,336.

(51) **LOC (9) Cl.** ..... **24-01**

(52) **U.S. Cl.** ..... **D24/224**

(58) **Field of Classification Search** ..... D24/216–232,  
D24/110, 115; D10/81; 422/500, 547, 549,  
422/556, 557, 558; 435/287.1, 288.1; D3/201,  
D3/203.1, 203.2; D9/435, 445, 446, 449,  
D9/454, 503, 504, 529; 215/235–237  
See application file for complete search history.

(56) **References Cited**

**U.S. PATENT DOCUMENTS**

6,221,655 B1 \* 4/2001 Fung et al. .... 435/288.1  
D491,275 S \* 6/2004 Walters et al. .... D24/224  
6,769,558 B1 \* 8/2004 Bucholtz ..... 215/237  
D555,490 S \* 11/2007 Liu ..... D9/549  
7,472,797 B2 \* 1/2009 Ostrowski ..... 215/306  
D606,399 S \* 12/2009 Scuturio ..... D9/449  
D613,495 S \* 4/2010 Foreman ..... D3/203.2  
D621,951 S \* 8/2010 Bucholtz et al. .... D24/224  
7,915,032 B2 \* 3/2011 Ostrowski et al. .... 435/287.7  
2003/0150191 A1 \* 8/2003 Odet ..... 53/285

2008/0081000 A1 \* 4/2008 MacLeod et al. .... 422/68.1  
2008/0116163 A1 \* 5/2008 Sawyer ..... 215/225  
2009/0095699 A1 \* 4/2009 Milante ..... 215/217

\* cited by examiner

*Primary Examiner* — Anhdao Doan

(74) *Attorney, Agent, or Firm* — Alissa L. Saenz

(57) **CLAIM**

The ornamental design for a vial, as shown and described.

**DESCRIPTION**

FIG. 1 is a perspective view of an embodiment of the vial in  
a closed state;

FIG. 2 is a front elevation of the vial of FIG. 1;

FIG. 3 is a rear elevation of the vial of FIG. 1;

FIG. 4 is a right side elevation of the vial of FIG. 1;

FIG. 5 is a left side elevation of the vial of FIG. 1;

FIG. 6 is a top plan view of the vial of FIG. 1;

FIG. 7 is a bottom plan view of the vial of FIG. 1;

FIG. 8 is a perspective view of the vial of FIG. 1, in an opened  
state;

FIG. 9 is a front elevation of the vial of FIG. 1, in the opened  
state;

FIG. 10 is a rear elevation of the vial of FIG. 1, in the opened  
state;

FIG. 11 is a right side elevation of the vial of FIG. 1, in the  
opened state;

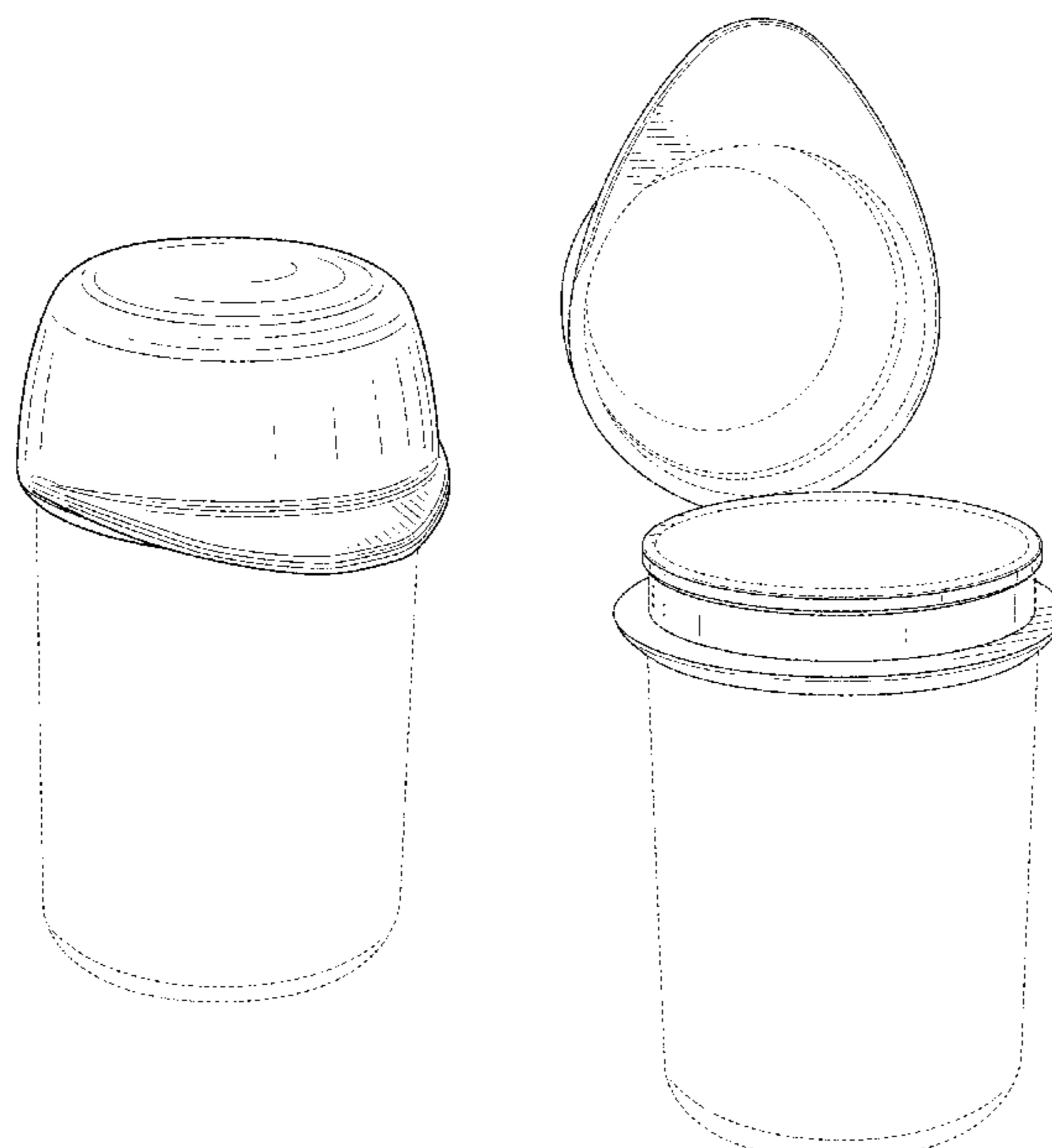
FIG. 12 is a left side elevation of the vial of FIG. 1, in the  
opened state;

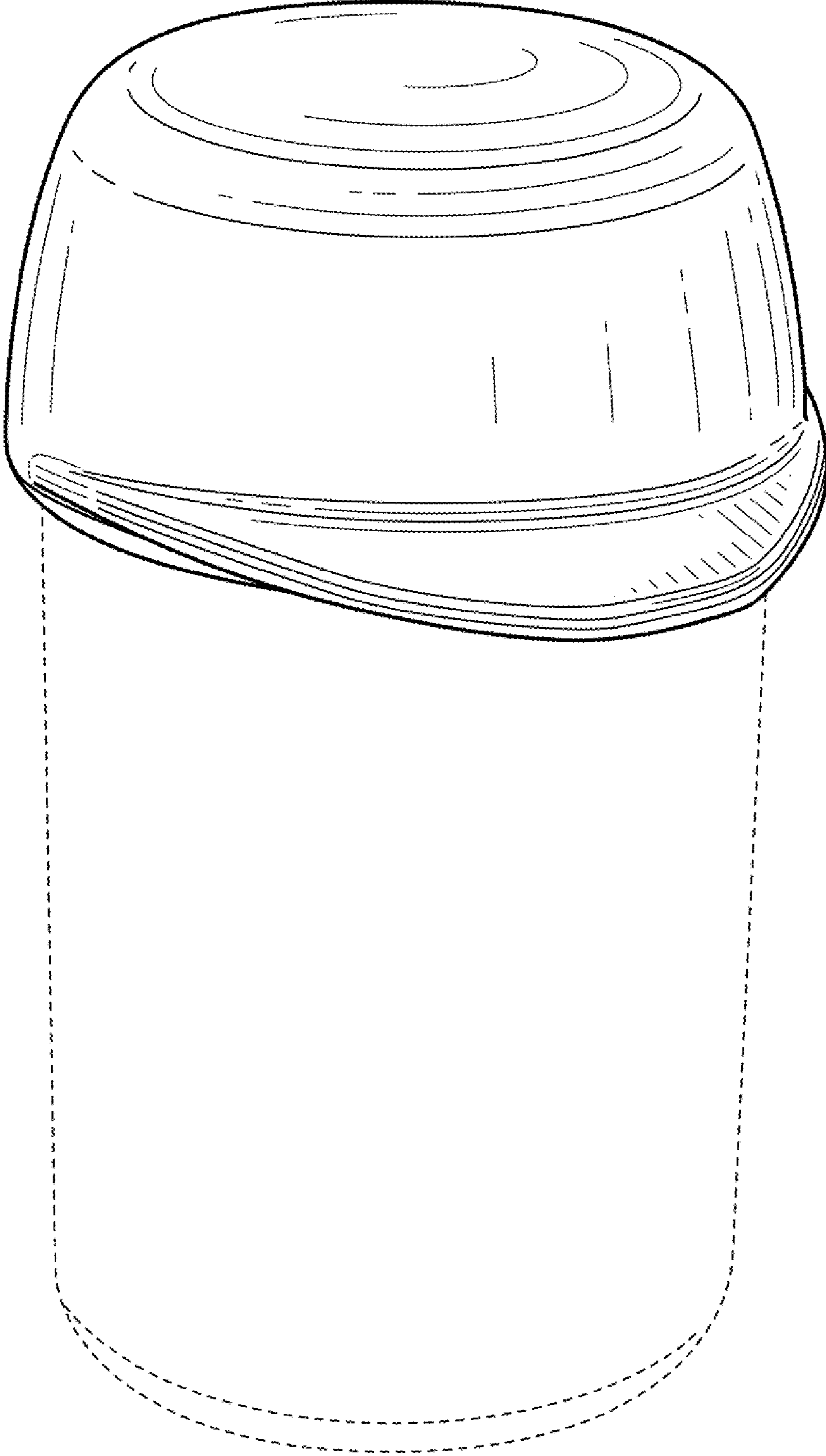
FIG. 13 is a top plan view of the vial of FIG. 1, in the opened  
state; and,

FIG. 14 is a bottom plan view of the vial of FIG. 1, in the  
opened state.

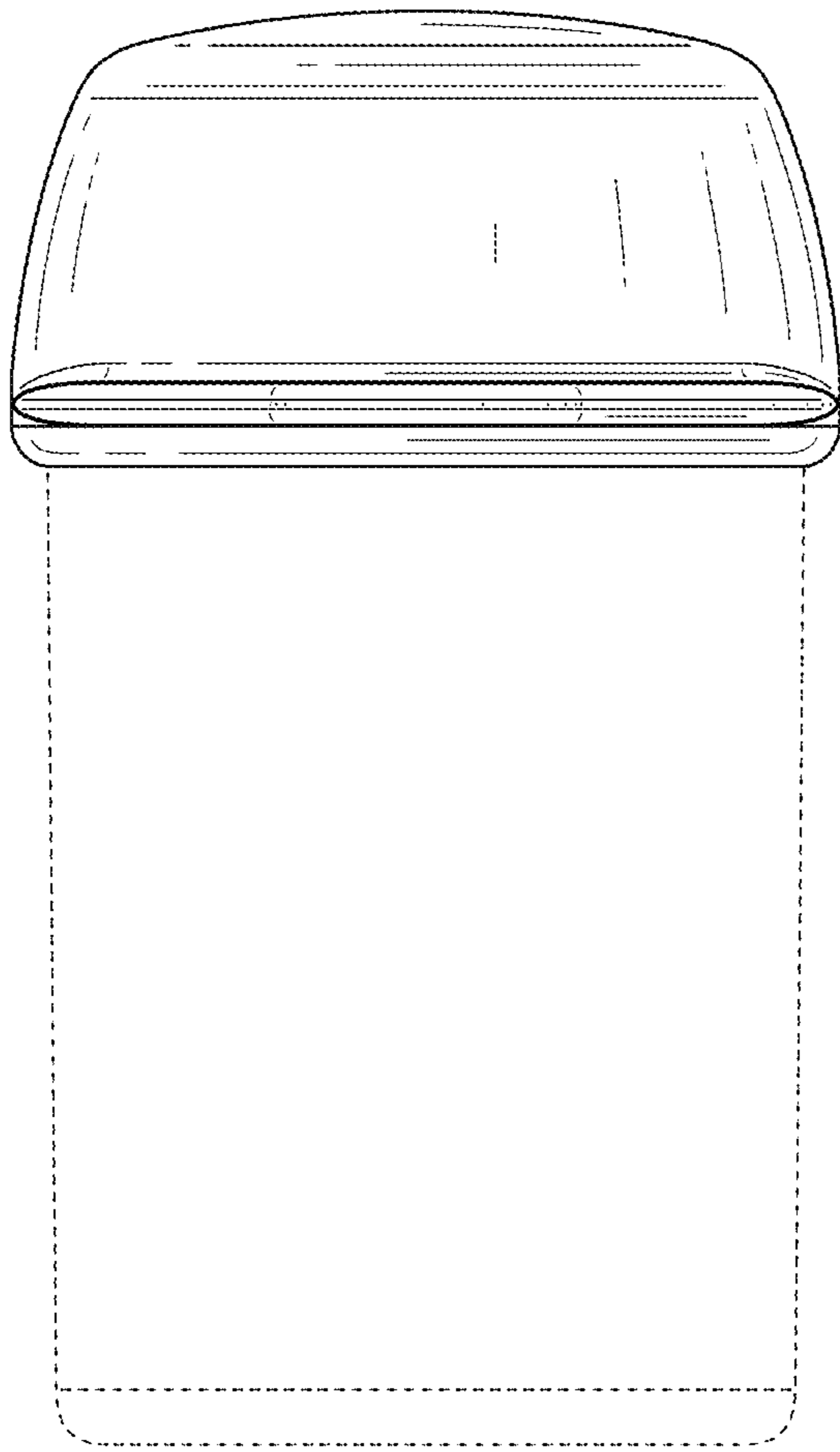
The broken lines in the drawing views are included for the  
purpose of illustrating portions of the vial that form no part of  
the claimed design.

**1 Claim, 10 Drawing Sheets**

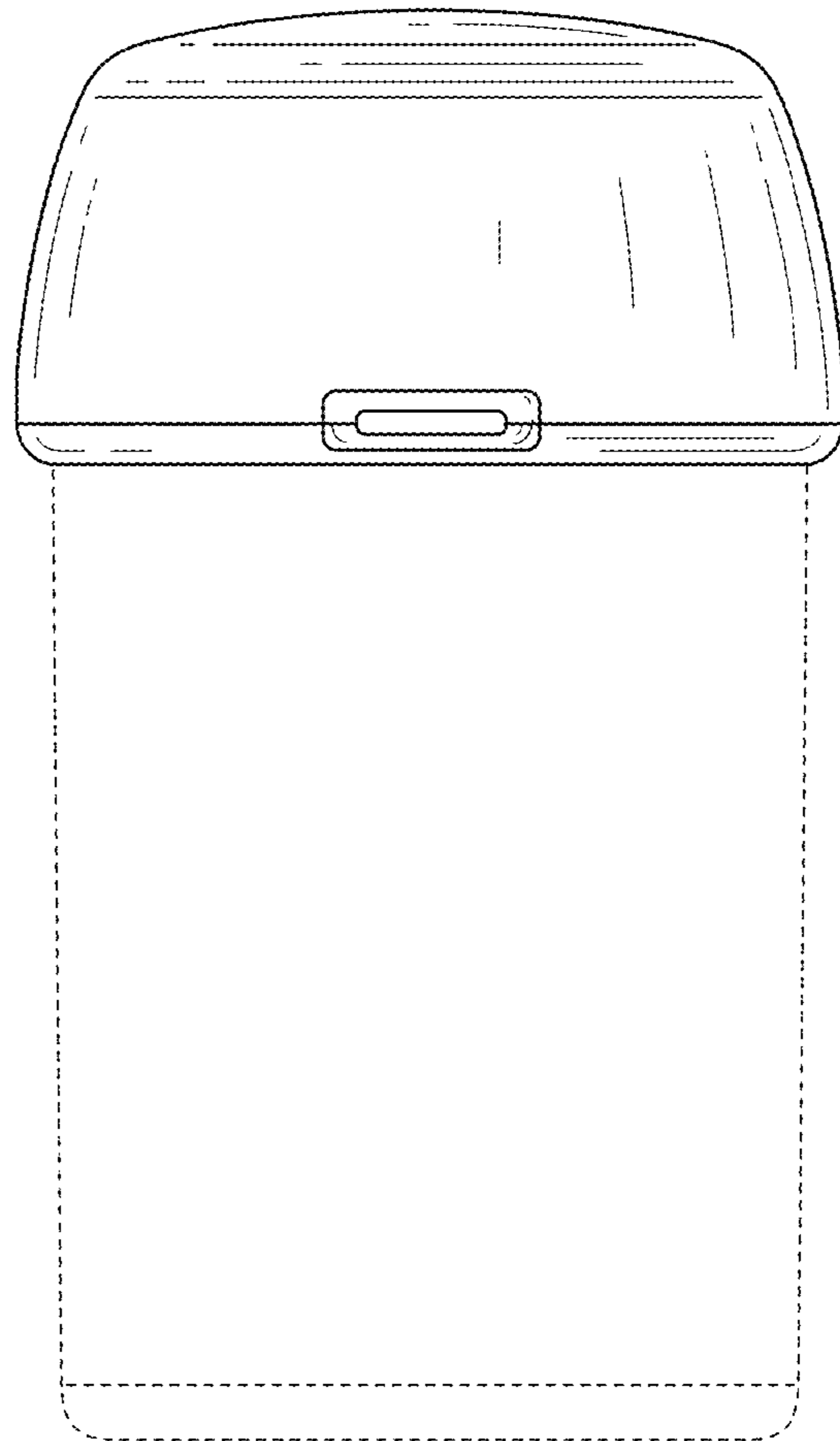




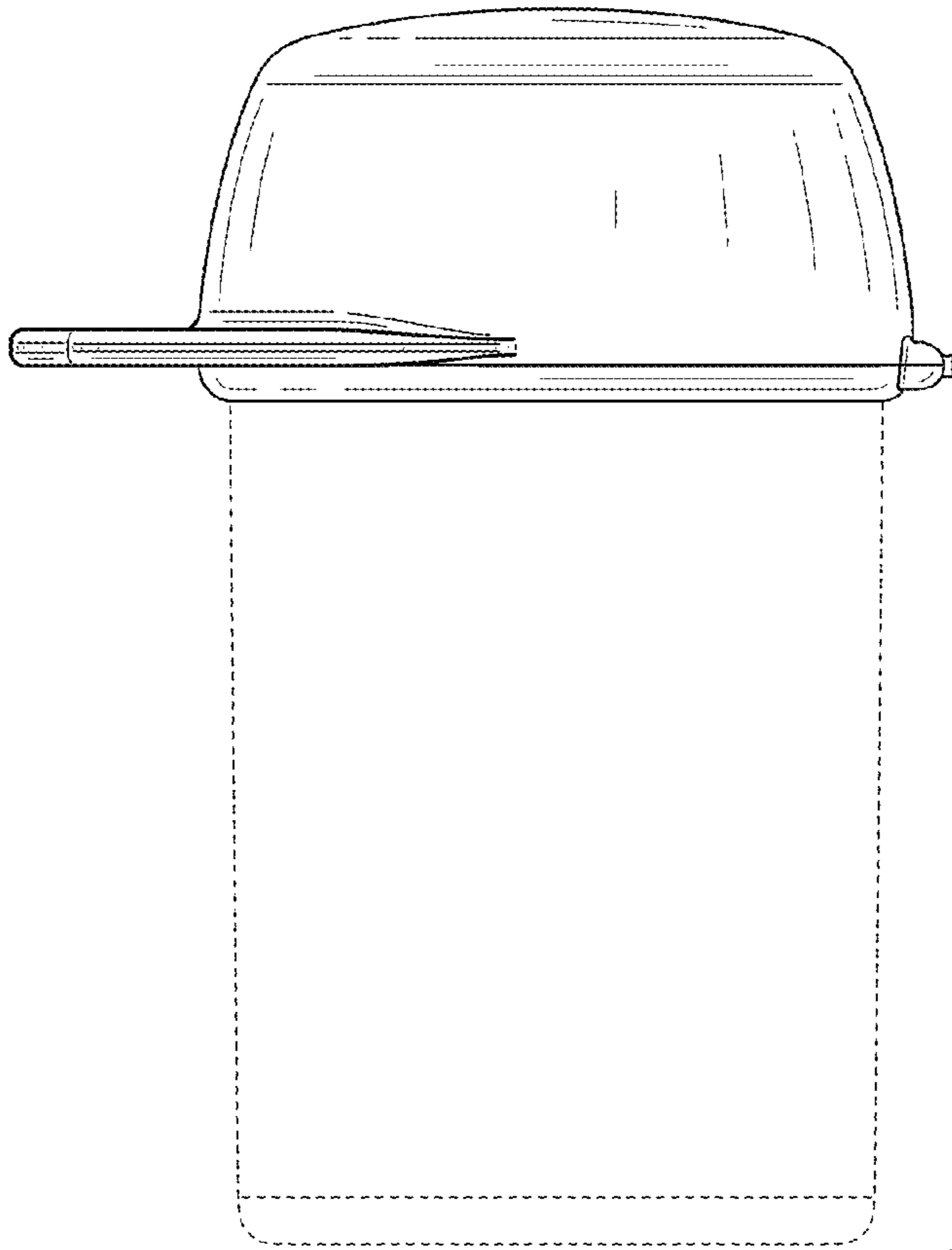
**FIG. 1**



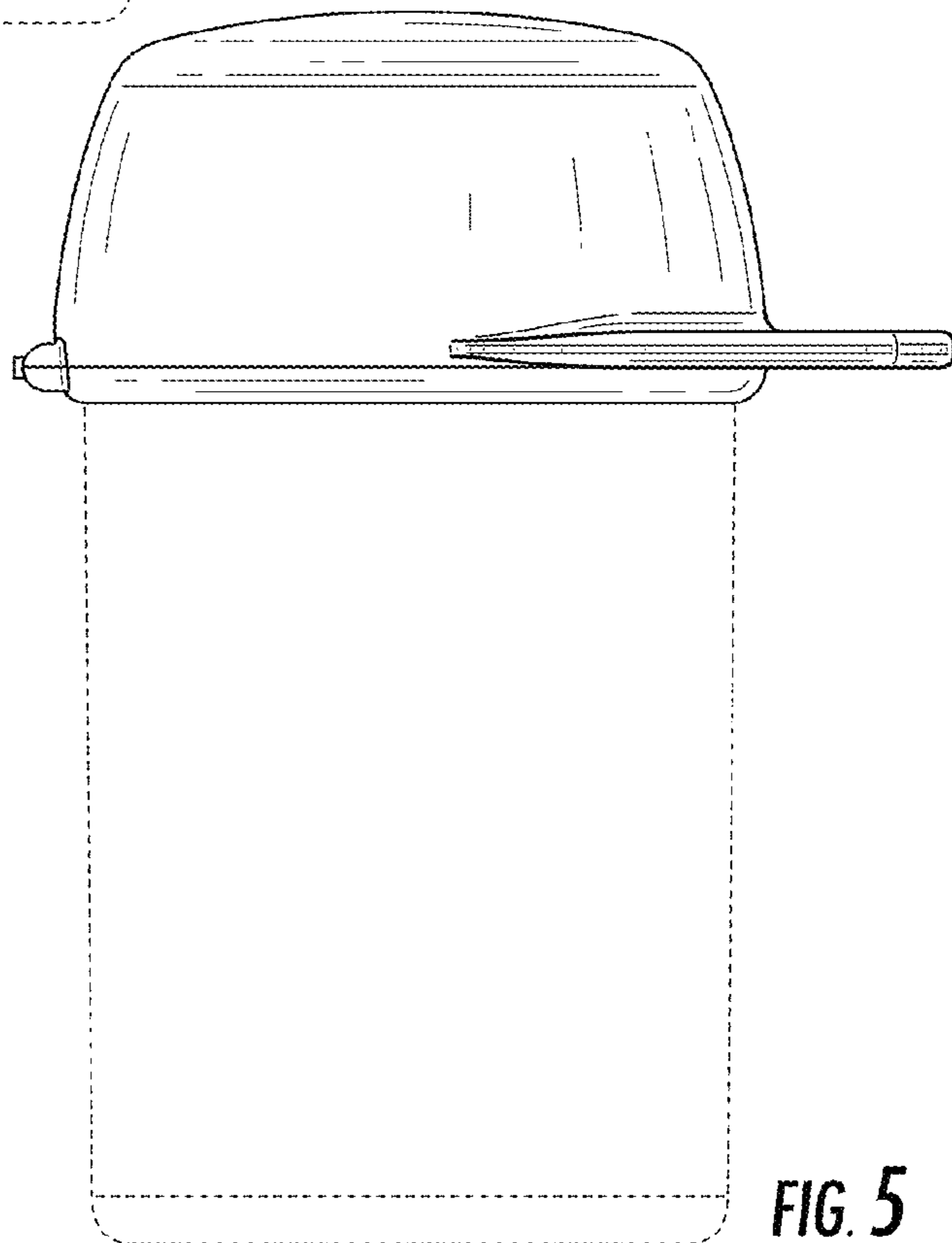
**FIG. 2**



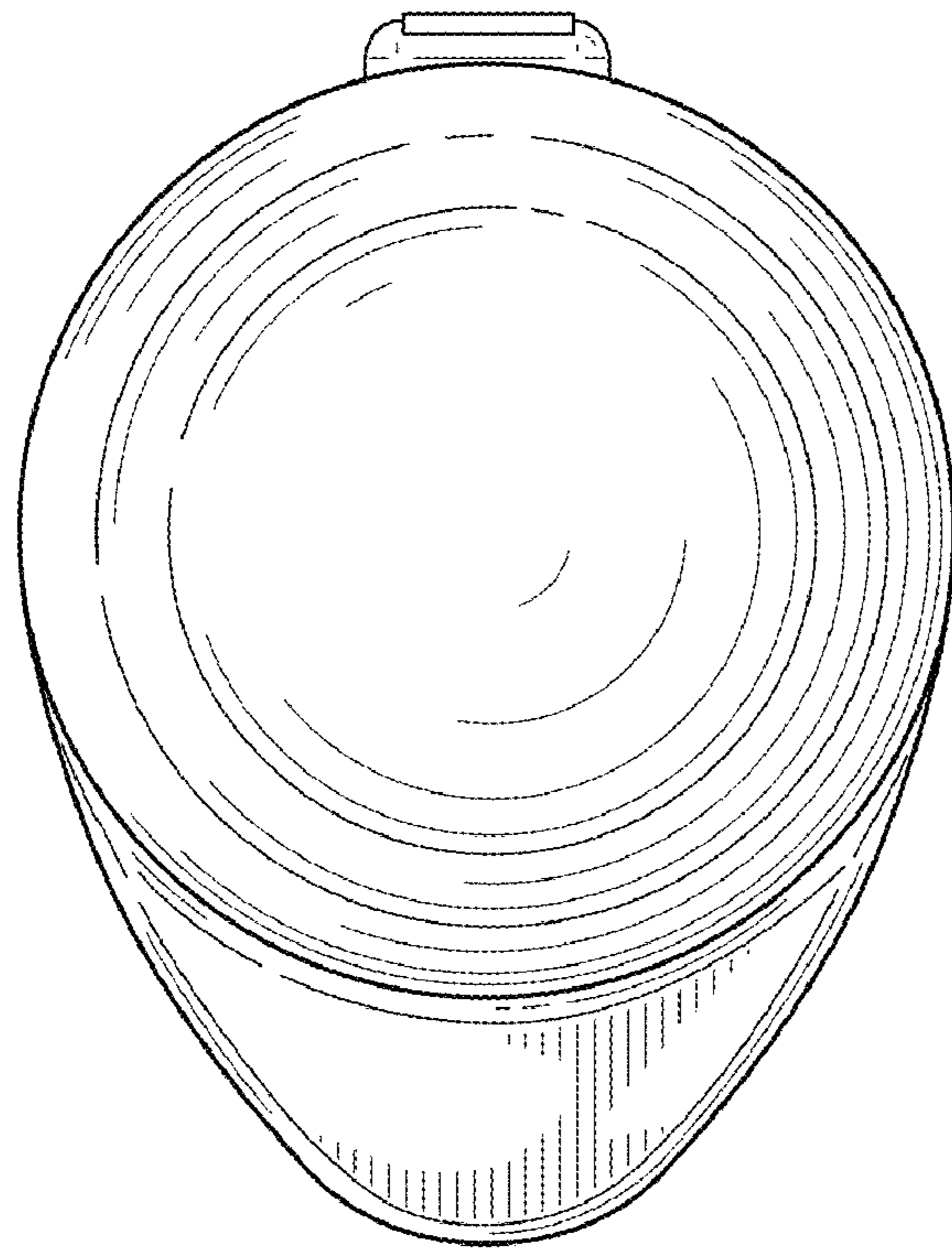
**FIG. 3**



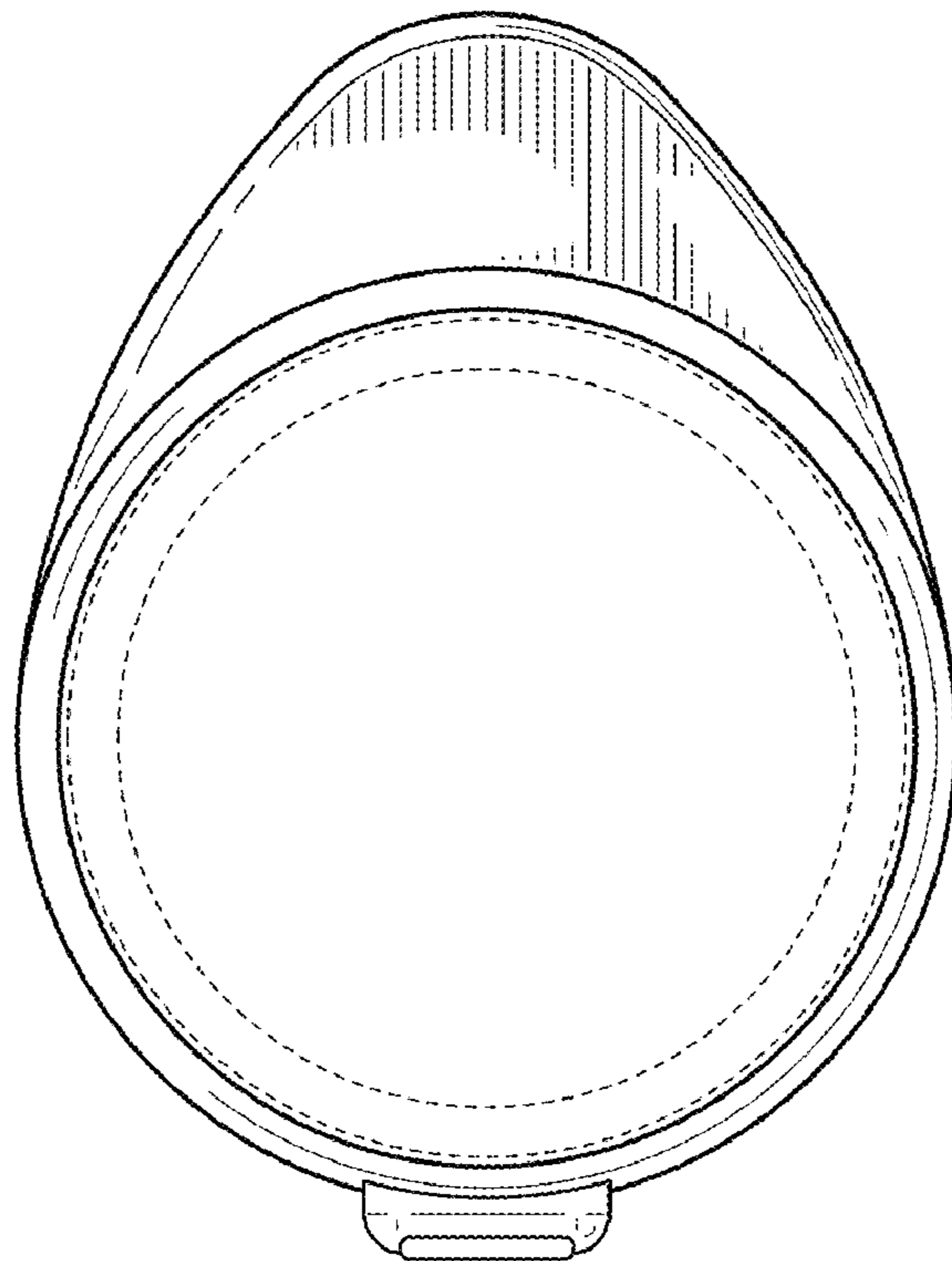
**FIG. 4**



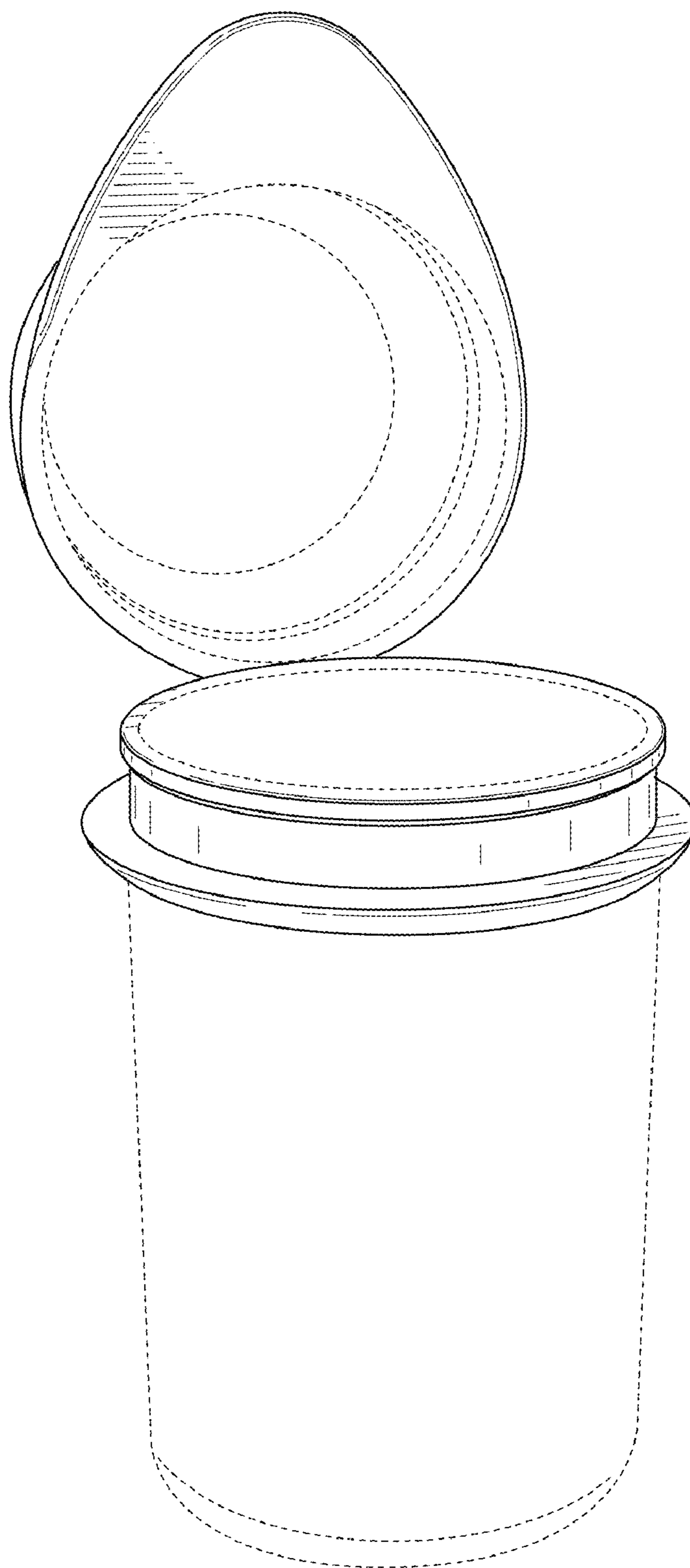
**FIG. 5**



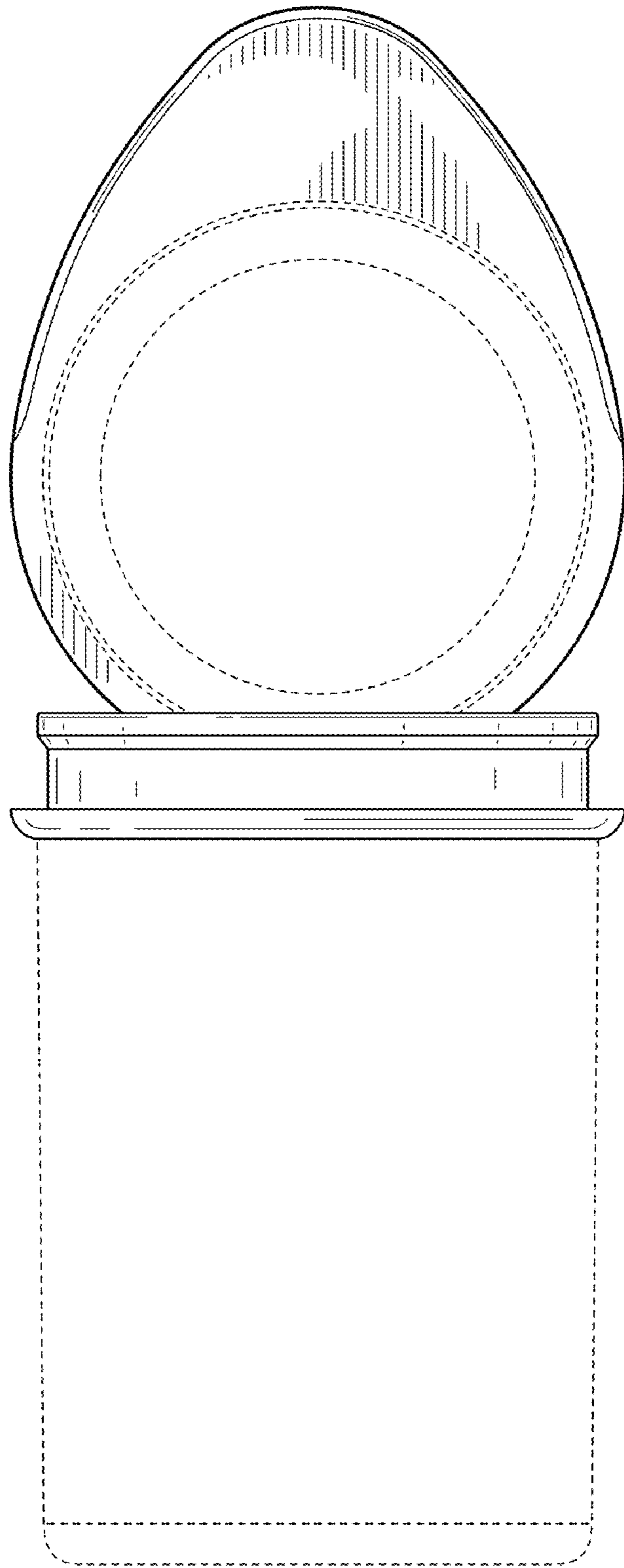
**FIG. 6**



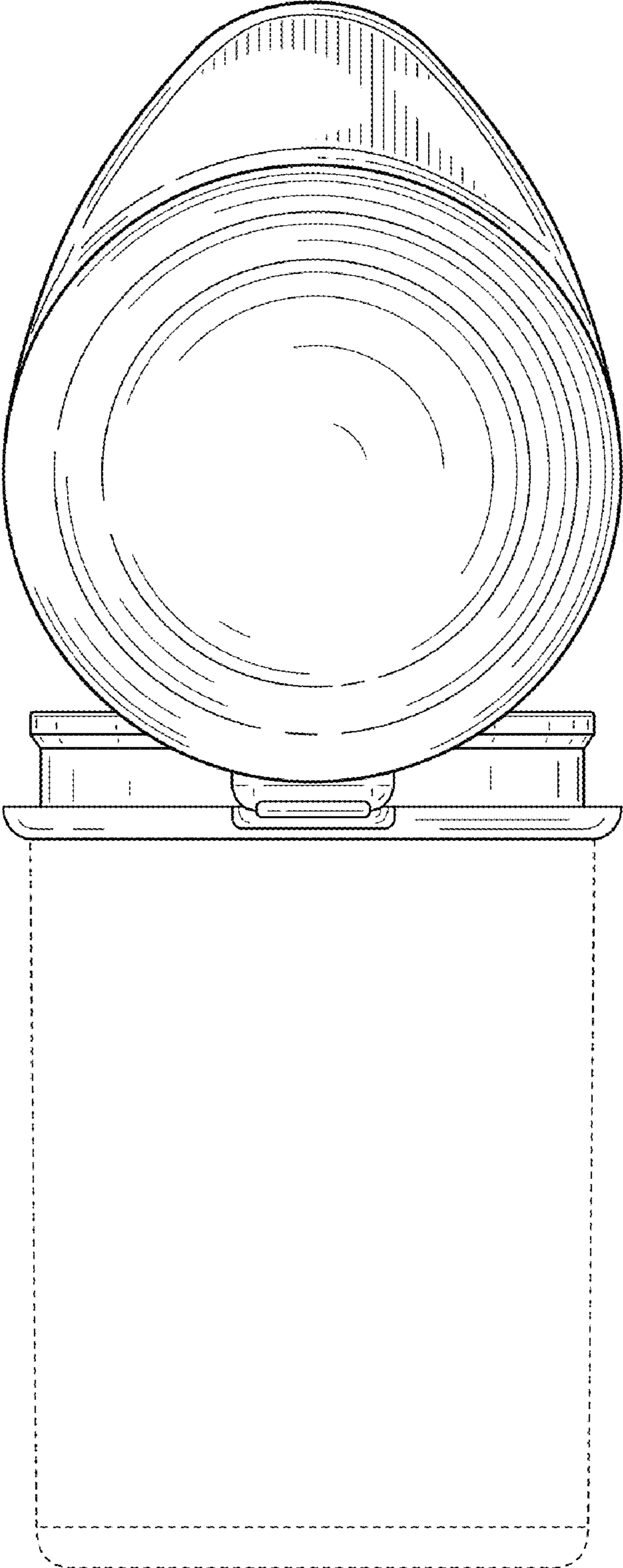
**FIG. 7**



**FIG. 8**

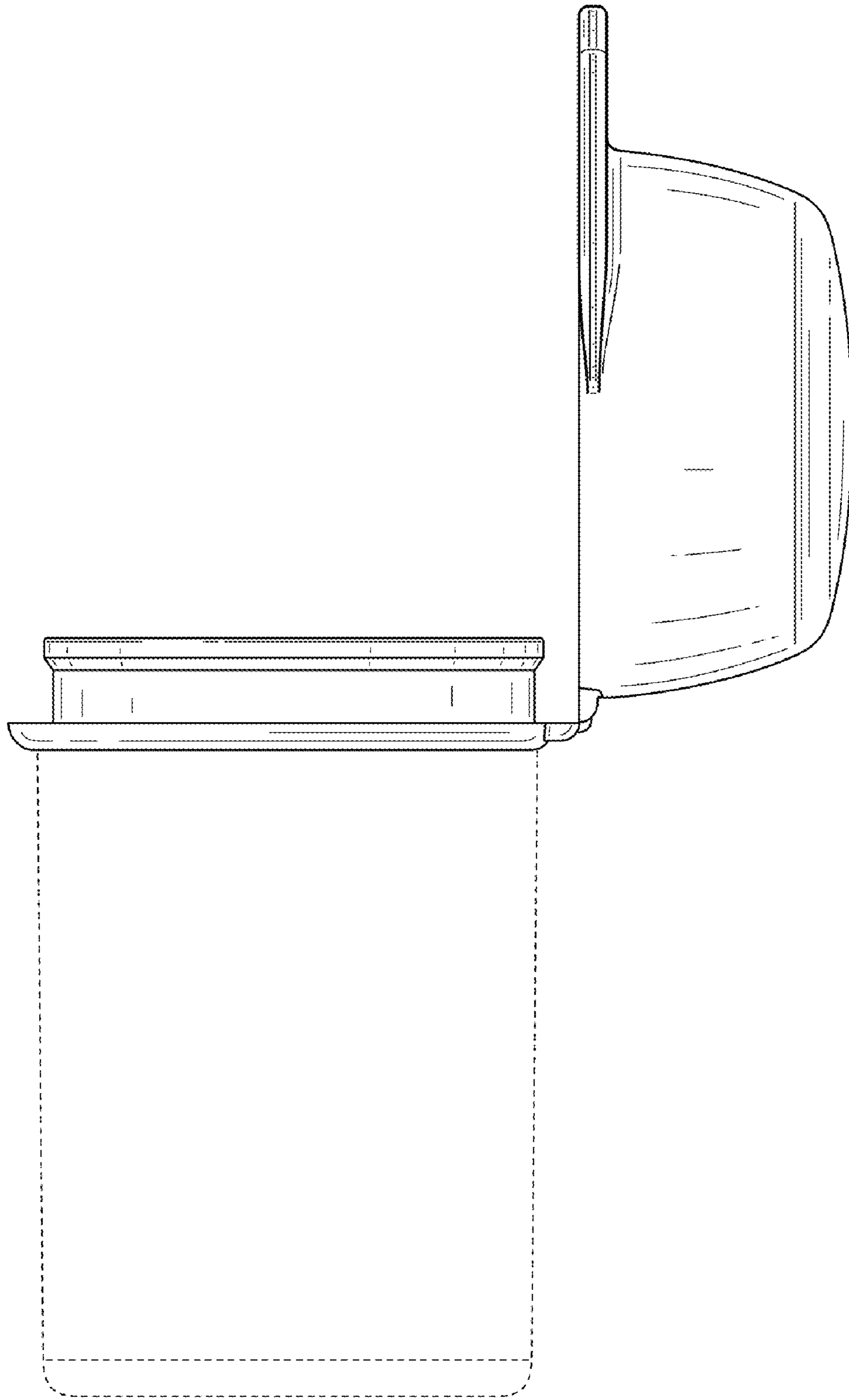


**FIG. 9**

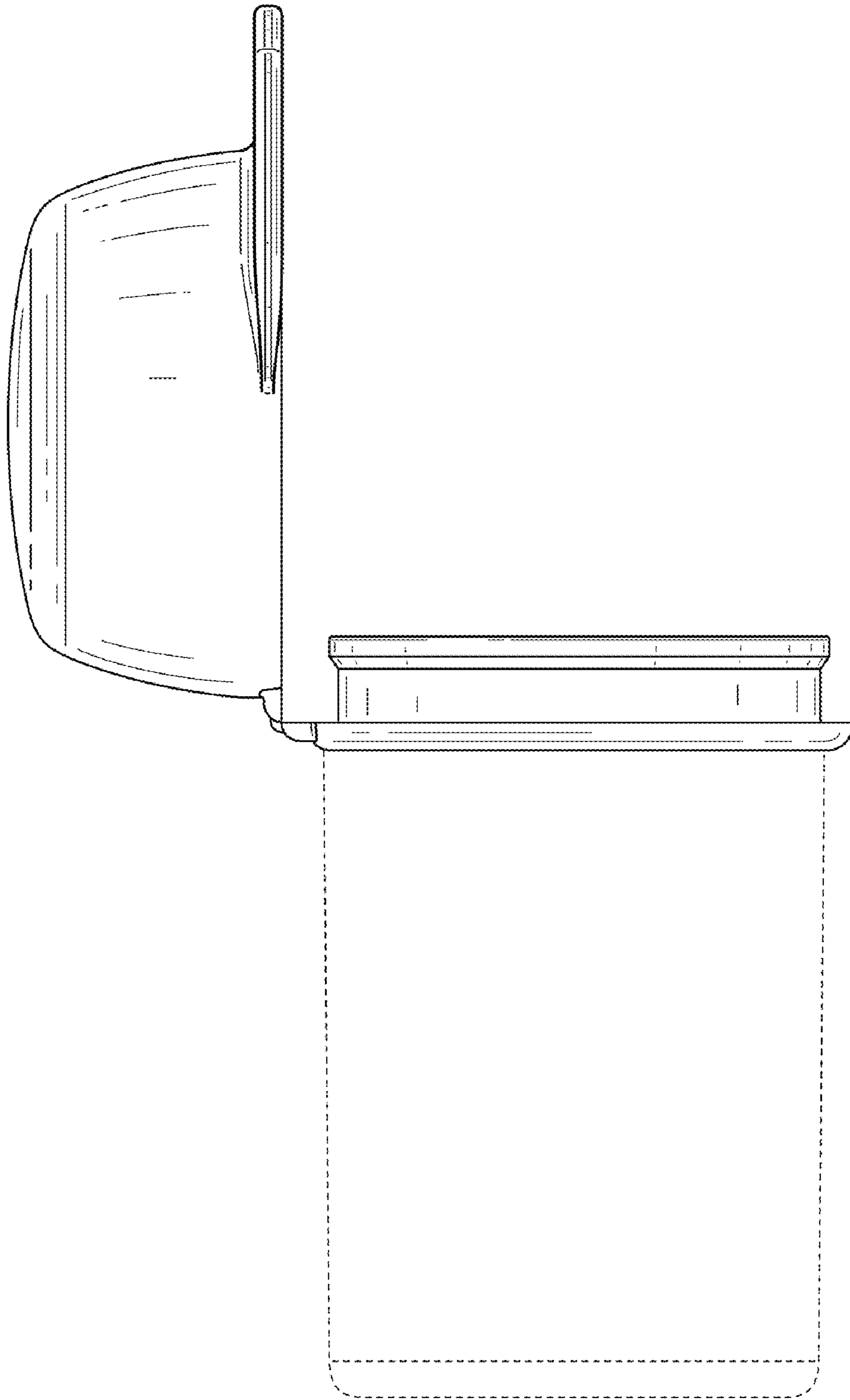


**FIG. 10**





**FIG. 11**



**FIG. 12**

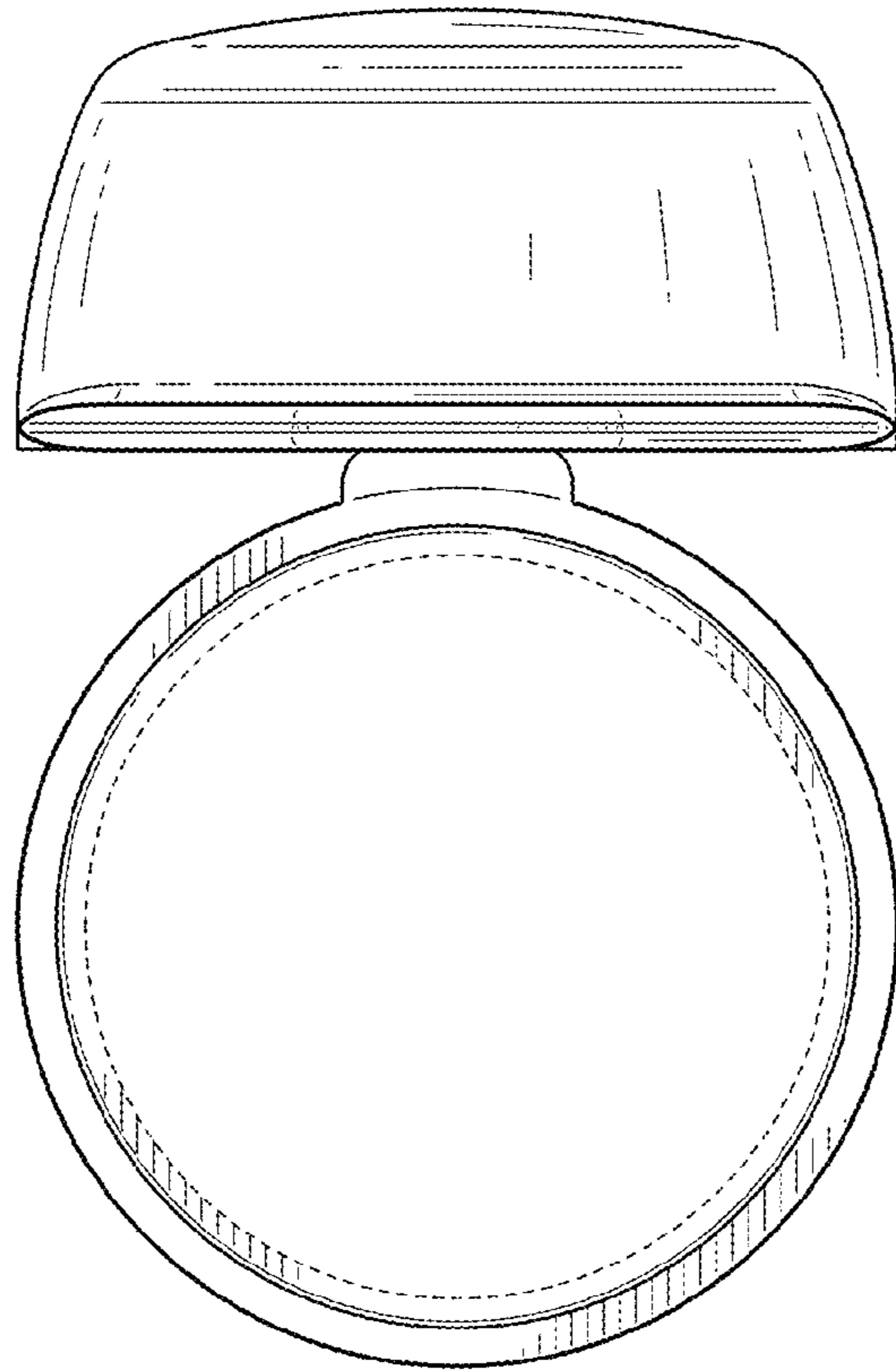


FIG. 13

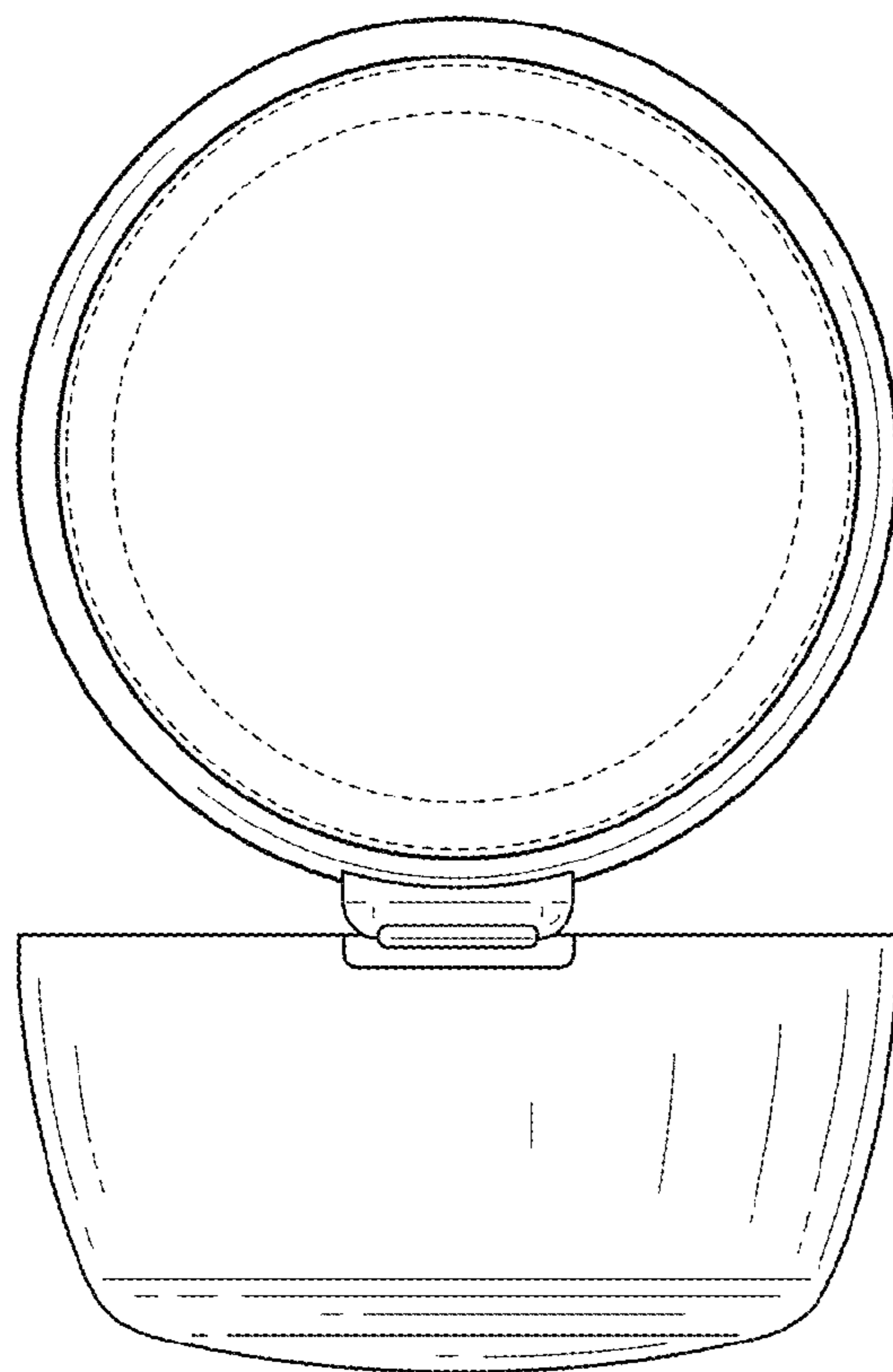


FIG. 14