



US00D677393S

(12) **United States Design Patent**
Green

(10) **Patent No.:** **US D677,393 S**

(45) **Date of Patent:** **** *Mar. 5, 2013**

- (54) **SEXUAL STIMULATION DEVICE**
 - (76) Inventor: **Robert M. Green**, Vista, CA (US)
 - (*) Notice: This patent is subject to a terminal disclaimer.
 - (**) Term: **14 Years**
 - (21) Appl. No.: **29/414,638**
 - (22) Filed: **Mar. 1, 2012**
 - (51) **LOC (9) Cl.** **28-03**
 - (52) **U.S. Cl.** **D24/215**
 - (58) **Field of Classification Search** D24/200,
D24/211–215, 141; 601/27, 28, 33, 40, 46,
601/47, 48, 63, 80, 99, 104, 112, 113, 114,
601/119, 122, 125, 129, 134, 135, 137, DIG. 12,
601/DIG. 13, DIG. 14, DIG. 15, DIG. 16,
601/DIG. 17
- See application file for complete search history.

5,244,453	A *	9/1993	Osbon et al.	600/38
5,421,808	A *	6/1995	Osbon et al.	600/38
5,462,514	A *	10/1995	Harris	600/38
5,707,341	A	1/1998	Mathewuse		
D398,998	S *	9/1998	Gamper et al.	D24/143
5,876,324	A *	3/1999	Trouchine	600/38
6,036,635	A *	3/2000	Altshuler	600/38
6,266,560	B1	7/2001	Zhang et al.		
6,705,987	B2 *	3/2004	Anderson et al.	600/38
7,566,299	B2 *	7/2009	Montgomery	600/38
2010/0010292	A1	1/2010	Talbot et al.		

* cited by examiner

Primary Examiner — Sandra Snapp

(74) *Attorney, Agent, or Firm* — Mark Wisnosky

(57) **CLAIM**

The ornamental design for a sexual stimulation device, as shown and described.

DESCRIPTION

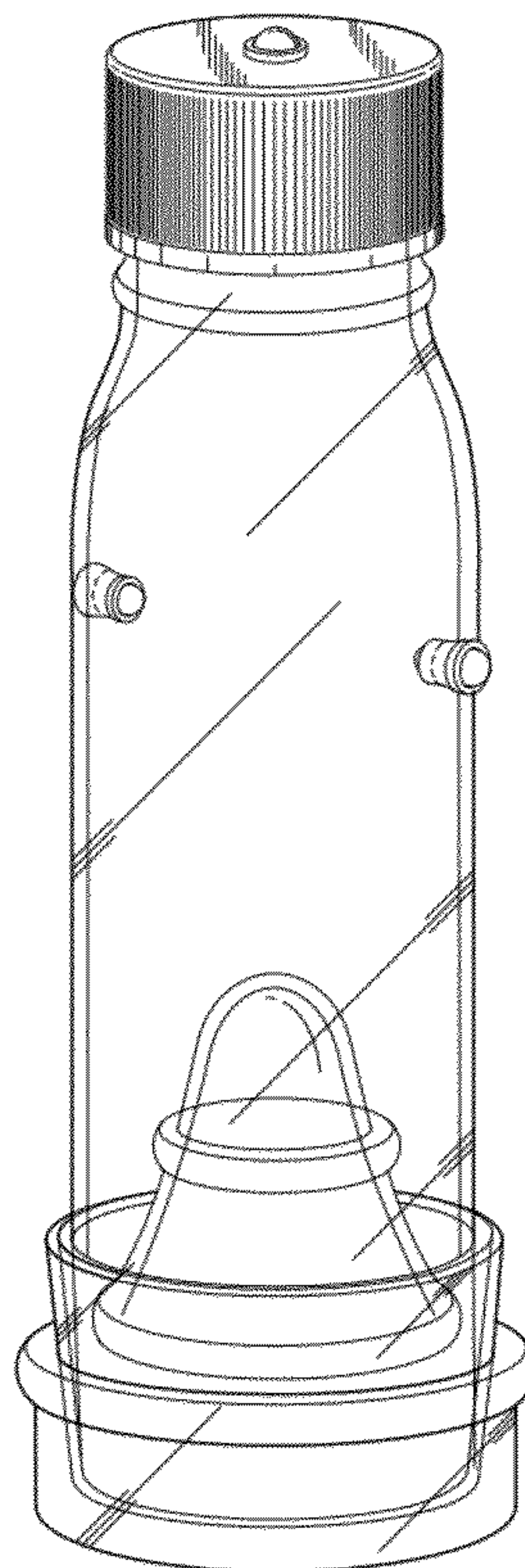
FIG. 1 is a front view of the invented device.
 FIG. 2 is a back view of the invented device.
 FIG. 3 is a right side view of the invented device.
 FIG. 4 is a left side view of the invented device.
 FIG. 5 is a top view of the invented device.
 FIG. 6 is a bottom view of the invented device; and,
 FIG. 7 is a perspective view of the invented device.
 The broken lines shown in the drawings are for illustrative purposes only and form no part of the claimed design.

1 Claim, 6 Drawing Sheets

(56) **References Cited**

U.S. PATENT DOCUMENTS

3,820,533	A *	6/1974	Jones	600/38
4,378,008	A *	3/1983	Osbon, Sr.	600/38
4,641,638	A *	2/1987	Perry	600/39
4,856,498	A *	8/1989	Osbon	600/38
4,856,499	A *	8/1989	Kelly	600/38
5,195,943	A *	3/1993	Chaney	600/41
5,234,401	A	8/1993	Yamanaka		



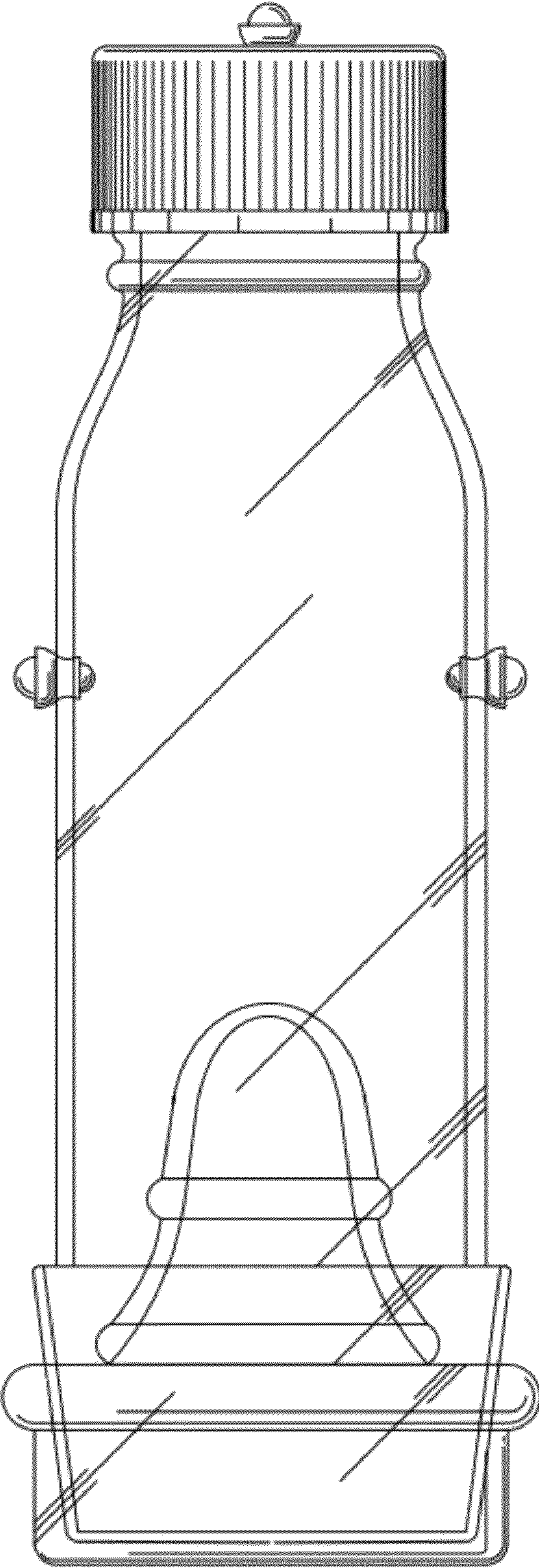


Figure 1

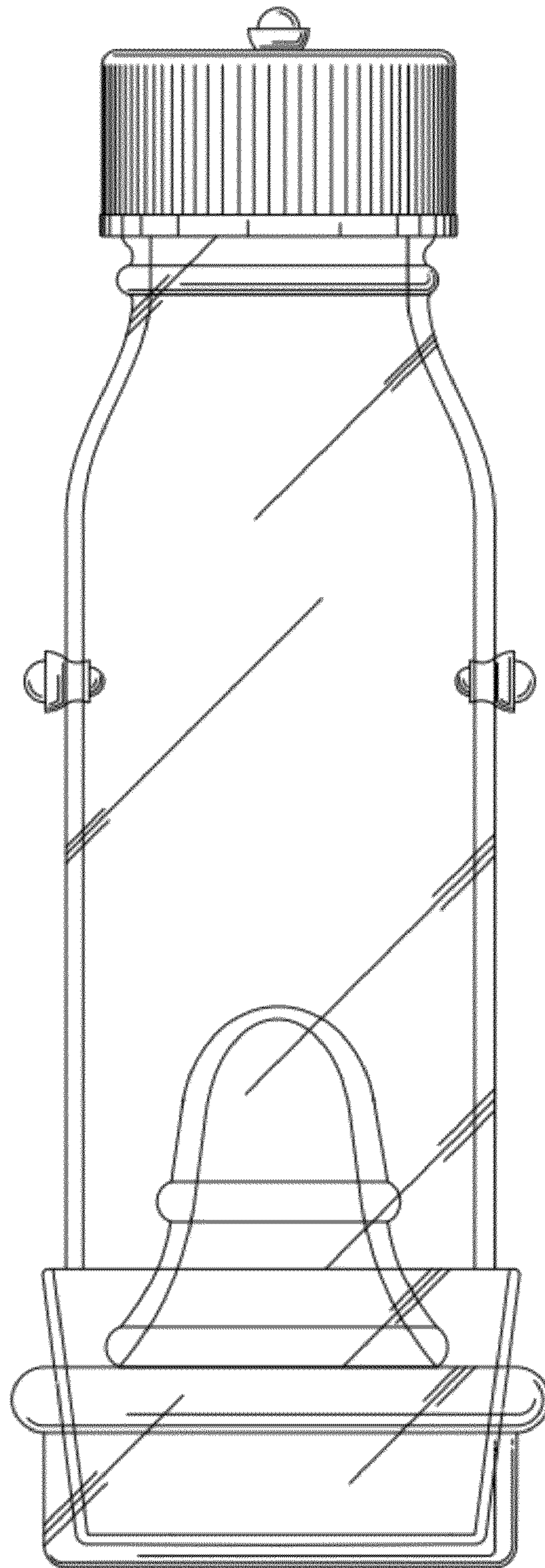


Figure 2

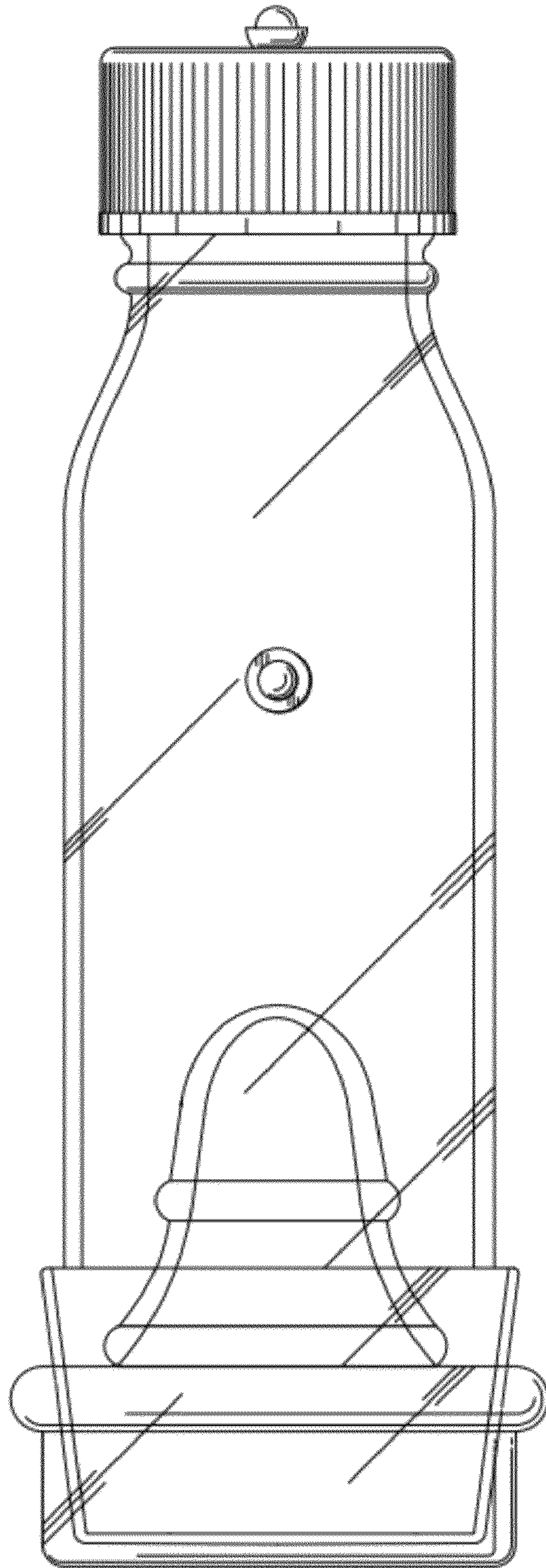


Figure 3

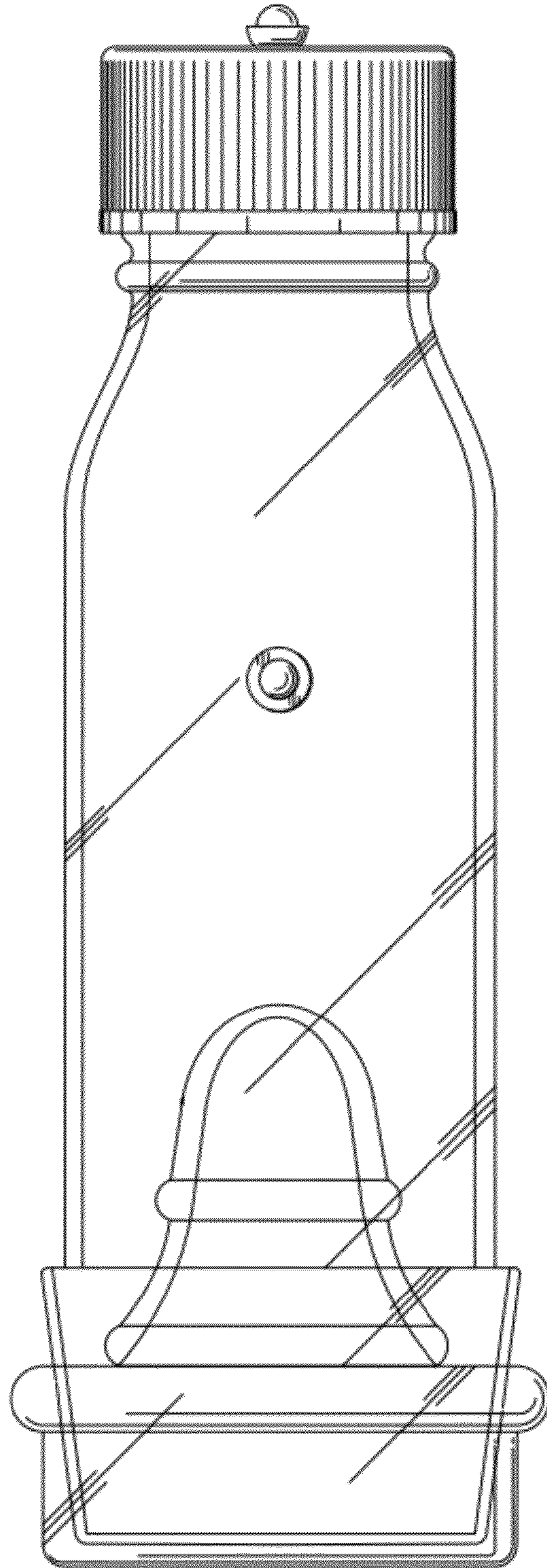


Figure 4

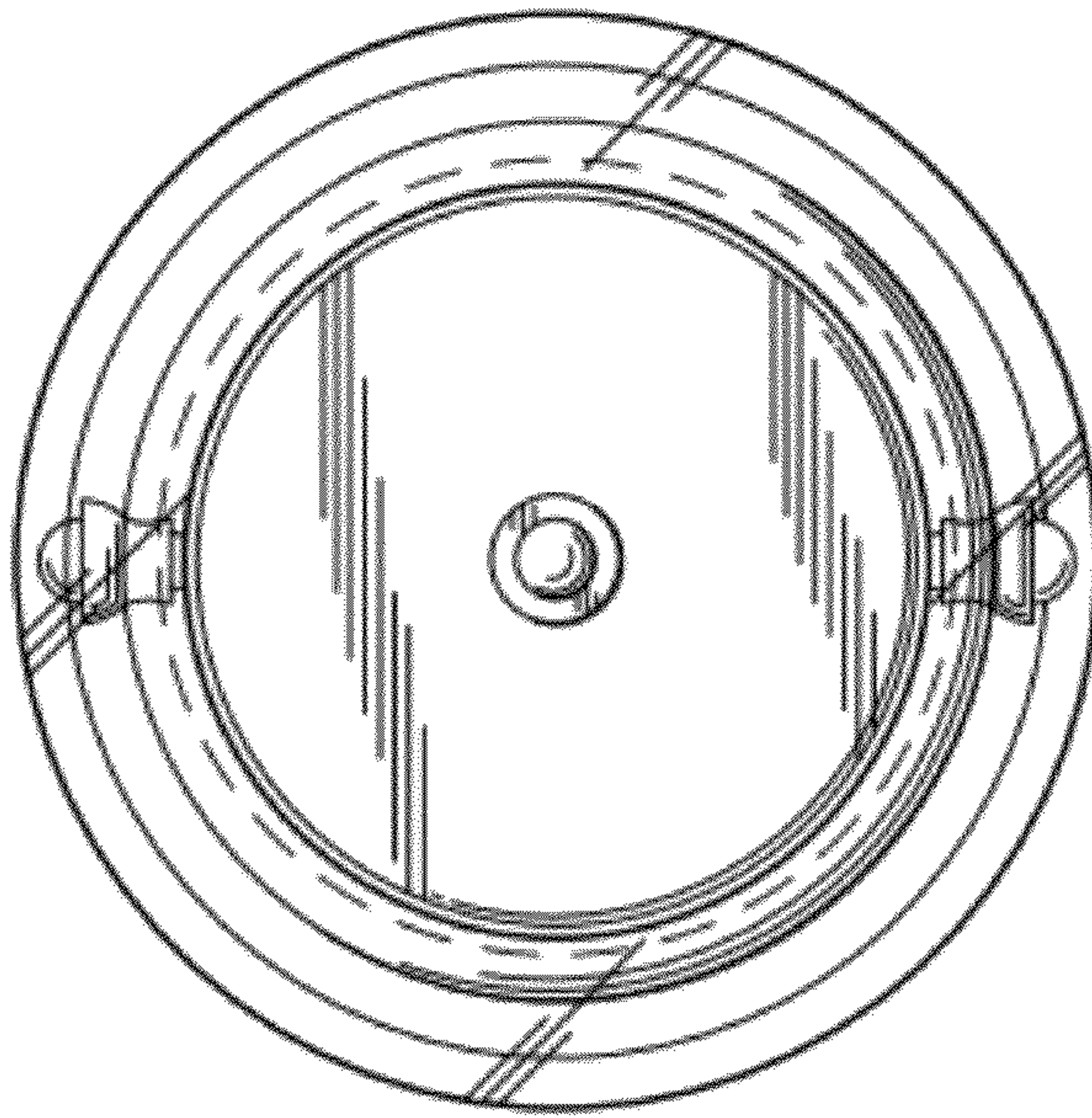


Figure 5

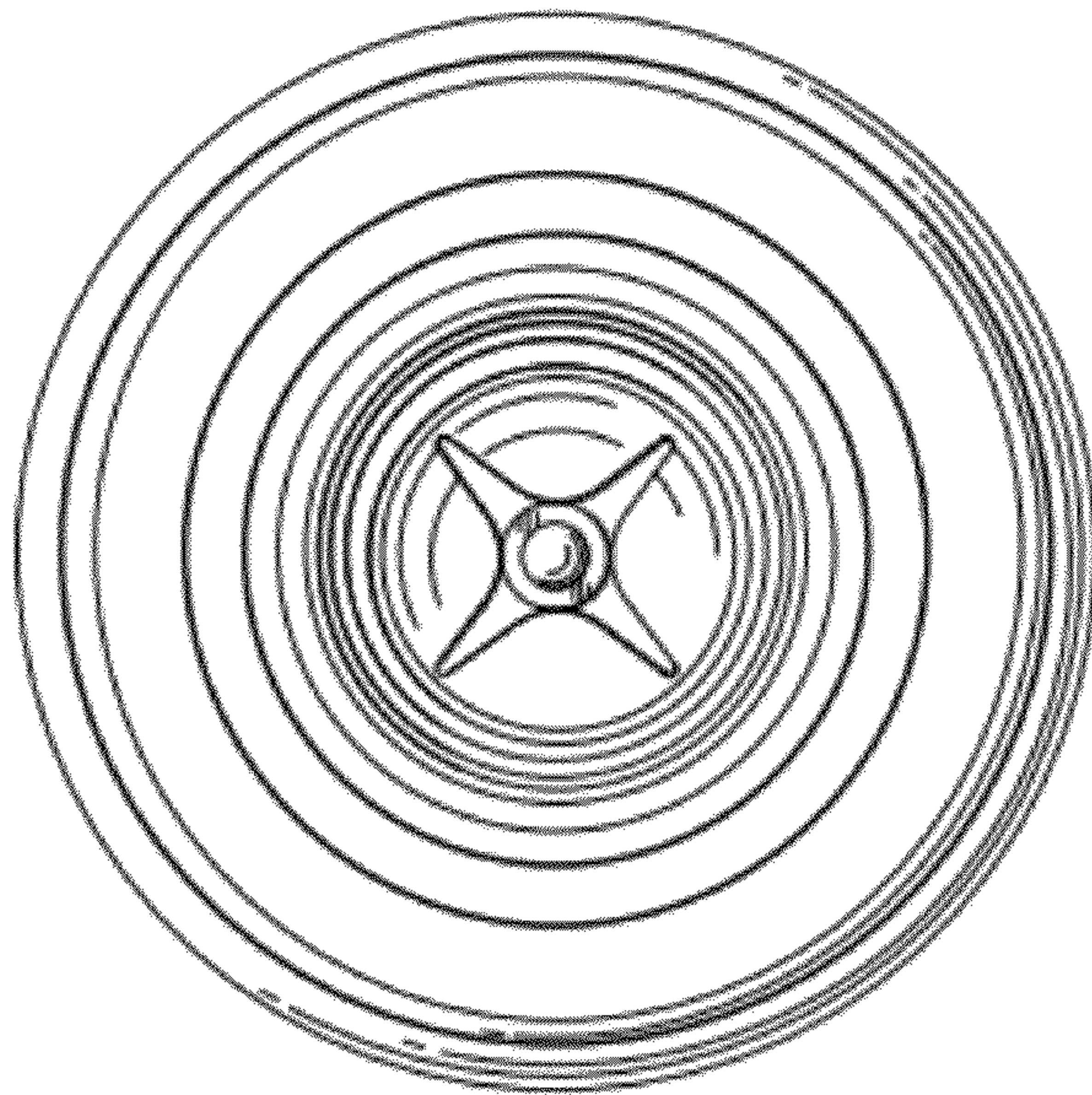


Figure 6

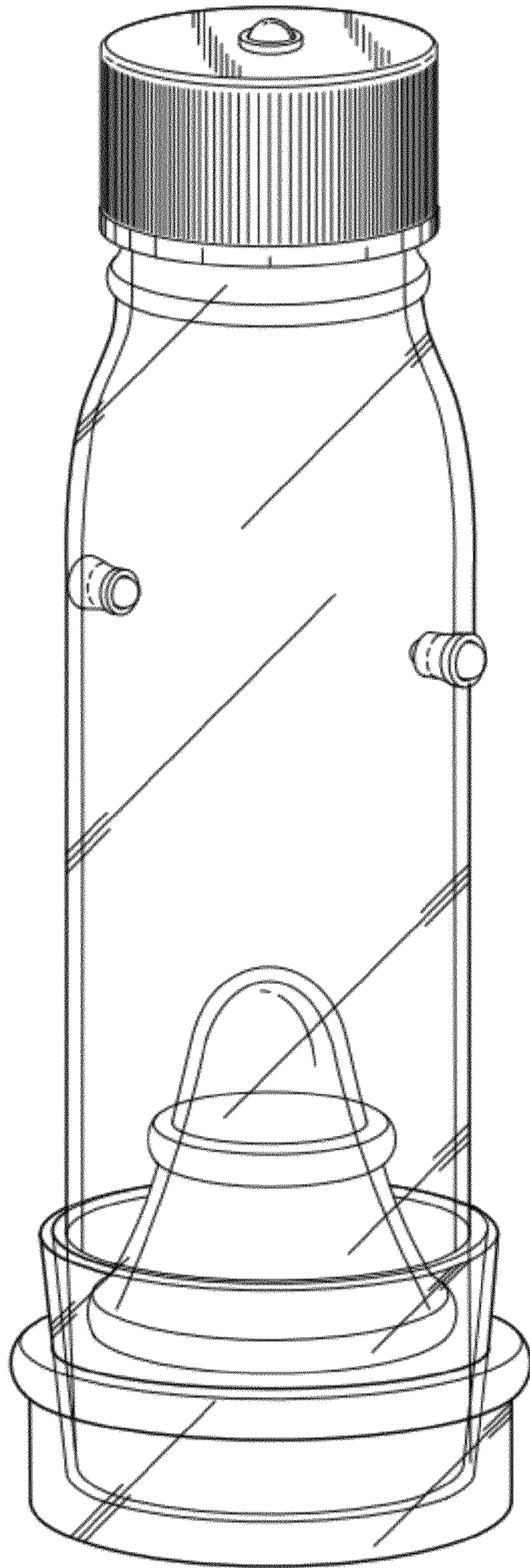


Figure 7