



US00D677386S

(12) **United States Design Patent**
Bisleri et al.

(10) **Patent No.:** **US D677,386 S**
(45) **Date of Patent:** **** Mar. 5, 2013**

(54) **SCISSOR BIT FOR ENDOSCOPY**
(75) Inventors: **Gianluigi Bisleri**, Paderno Franciacorta
Brescia (IT); **Regis Besse**, Guyancourt
(FR); **Yann Thouement**, Les essarts le
roi (FR)
(73) Assignee: **Karl Storz GmbH & Co. KG**,
Tuttlingen (DE)

(**) Term: **14 Years**
(21) Appl. No.: **29/402,946**
(22) Filed: **Sep. 29, 2011**

(30) **Foreign Application Priority Data**
Mar. 31, 2011 (EM) 001844184-0003
(51) **LOC (9) Cl.** **24-02**
(52) **U.S. Cl.** **D24/148**
(58) **Field of Classification Search** D24/145,
D24/143, 146, 147; 606/139, 143, 142, 144,
606/151, 155, 158
See application file for complete search history.

(56) **References Cited**
U.S. PATENT DOCUMENTS
4,549,544 A * 10/1985 Favaron 606/143
D384,413 S * 9/1997 Zlock et al. D24/145
D416,089 S * 11/1999 Barton et al. D24/145
6,024,744 A * 2/2000 Kese et al. 606/51
D535,027 S * 1/2007 James et al. D24/148
7,241,292 B2 * 7/2007 Hooven 606/41
D553,739 S * 10/2007 Stammberger D24/133
D626,226 S * 10/2010 Carus et al. D24/143
D626,228 S * 10/2010 Leroy et al. D24/143
D626,229 S * 10/2010 Leroy et al. D24/143
D639,944 S * 6/2011 Schneider D24/143
D640,790 S * 6/2011 Nishimura D24/146
D648,434 S * 11/2011 Uyama D24/143

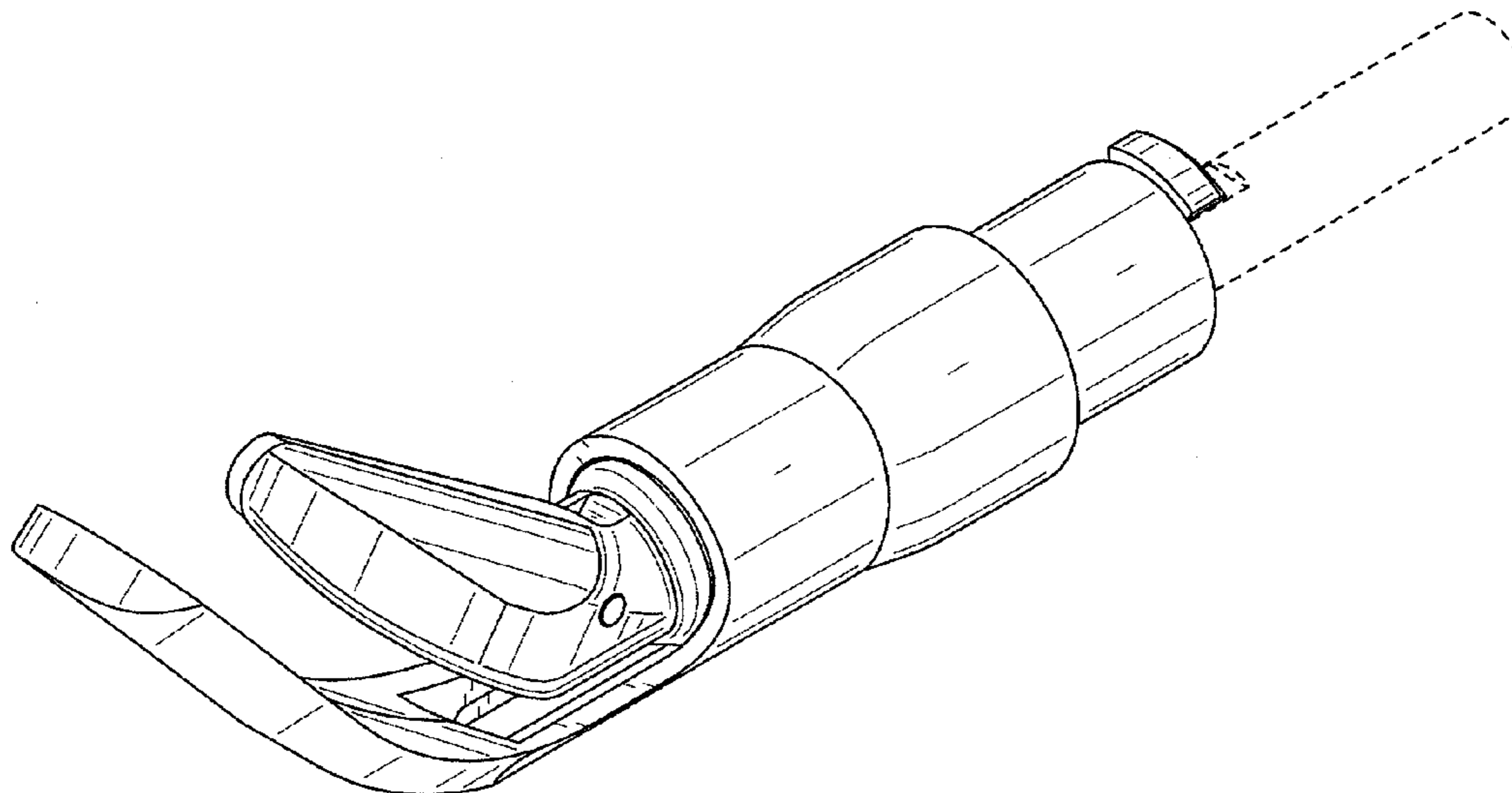
D649,247 S * 11/2011 Uyama D24/143
D652,924 S * 1/2012 Noshiro D24/143
D661,394 S * 6/2012 Romero et al. D24/143
2003/0032956 A1 * 2/2003 Lands et al. 606/51
2003/0109875 A1 * 6/2003 Tetzlaff et al. 606/48
2004/0122423 A1 * 6/2004 Dycus et al. 606/51
2004/0147925 A1 * 7/2004 Buysse et al. 606/51
2004/0176762 A1 * 9/2004 Lawes et al. 606/51
2004/0225288 A1 * 11/2004 Buysse et al. 606/51

* cited by examiner
Primary Examiner — Ian Simmons
Assistant Examiner — Carissa C Fitts
(74) *Attorney, Agent, or Firm* — Muncy, Geissler, Olds &
Lowe, PLLC

(57) **CLAIM**
The ornamental design for a scissor bit for endoscopy, as
shown and described.

DESCRIPTION
FIG. 1 is a left side elevational view of a scissor bit for
endoscopy according to the invention.
FIG. 2 is a right side elevational view of the scissor bit for
endoscopy of FIG. 1.
FIG. 3 is a front elevational view of the scissor bit for endo-
scopy of FIG. 1.
FIG. 4 is a rear elevational view of the scissor bit for endo-
scopy of FIG. 1.
FIG. 5 is a top plan view of the scissor bit for endoscopy of
FIG. 1.
FIG. 6 is a bottom plan view of the scissor bit for endoscopy
of FIG. 1; and,
FIG. 7 is a three-quarter view of the scissor bit for endoscopy
of FIG. 1.
The dashed lines illustrate environment that does not form a
part of the present invention, and no claim is made to the
material illustrated with dashed lines.

1 Claim, 6 Drawing Sheets



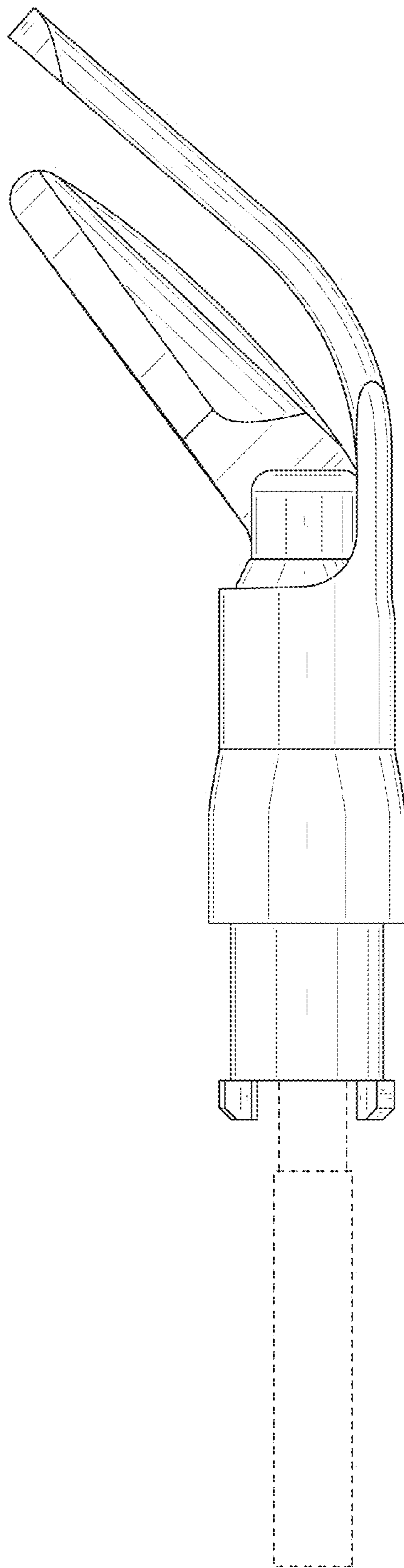


FIG. 1

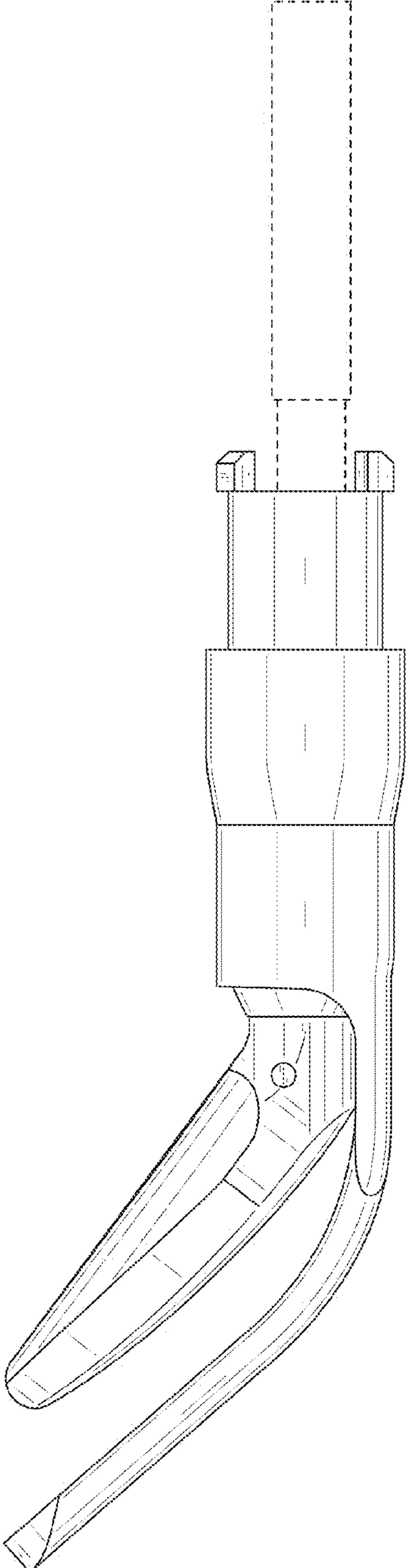


FIG. 2

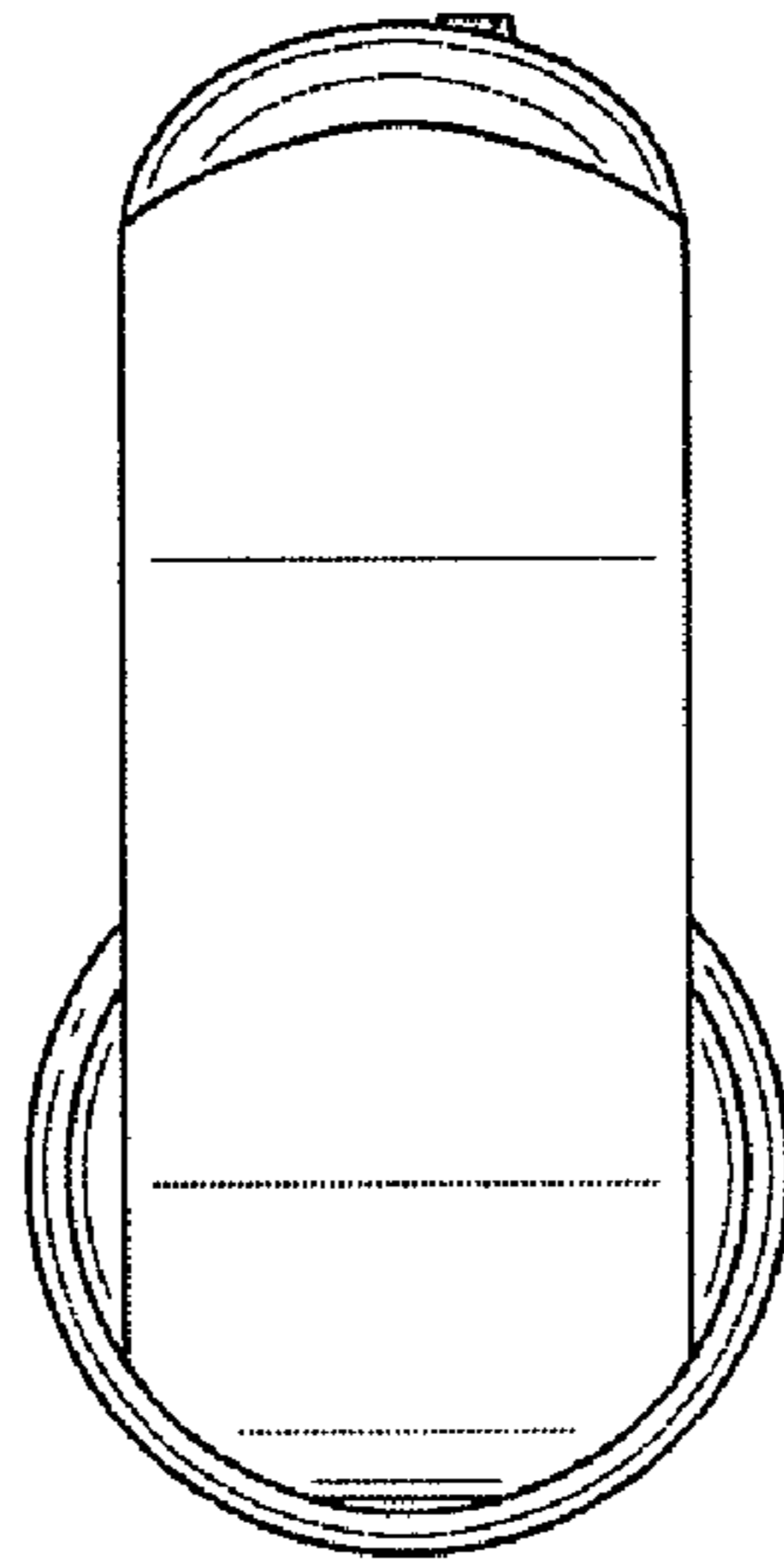


FIG. 3

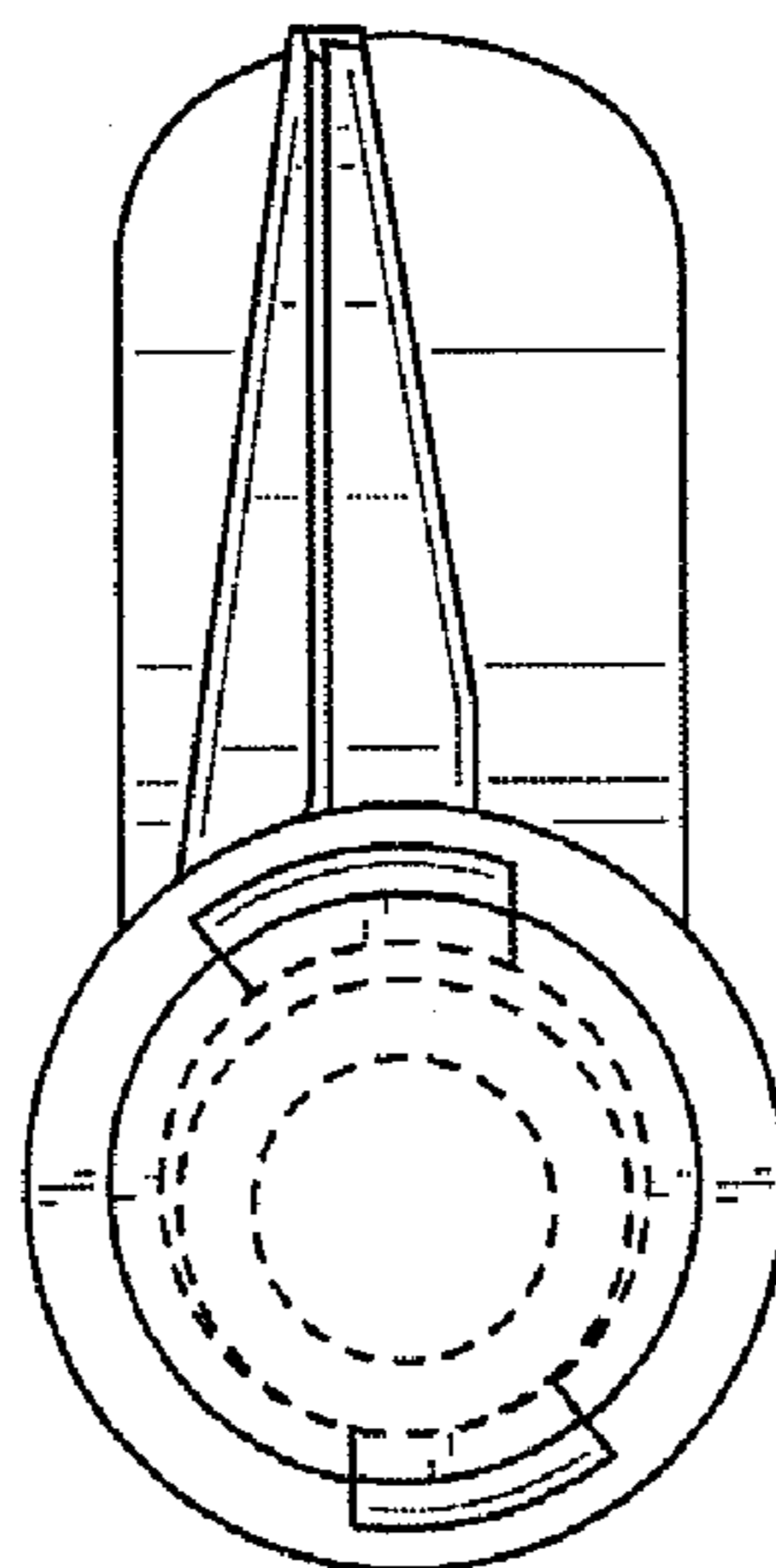


FIG. 4

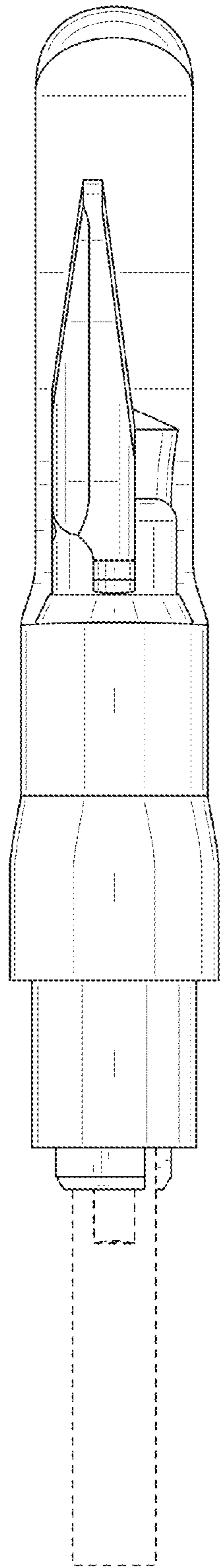


FIG. 5

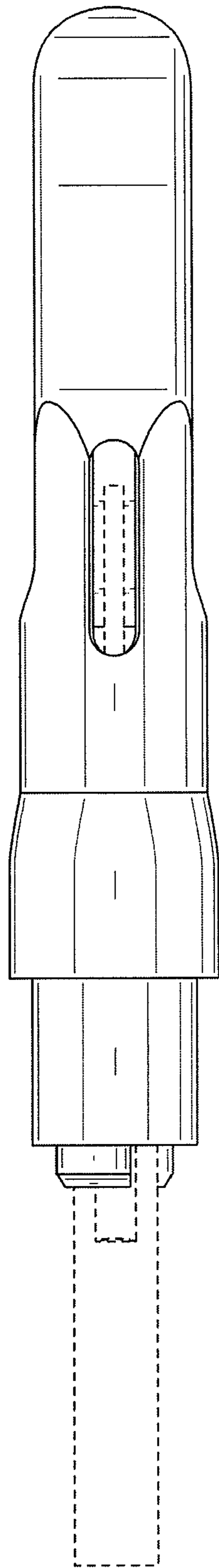


FIG. 6

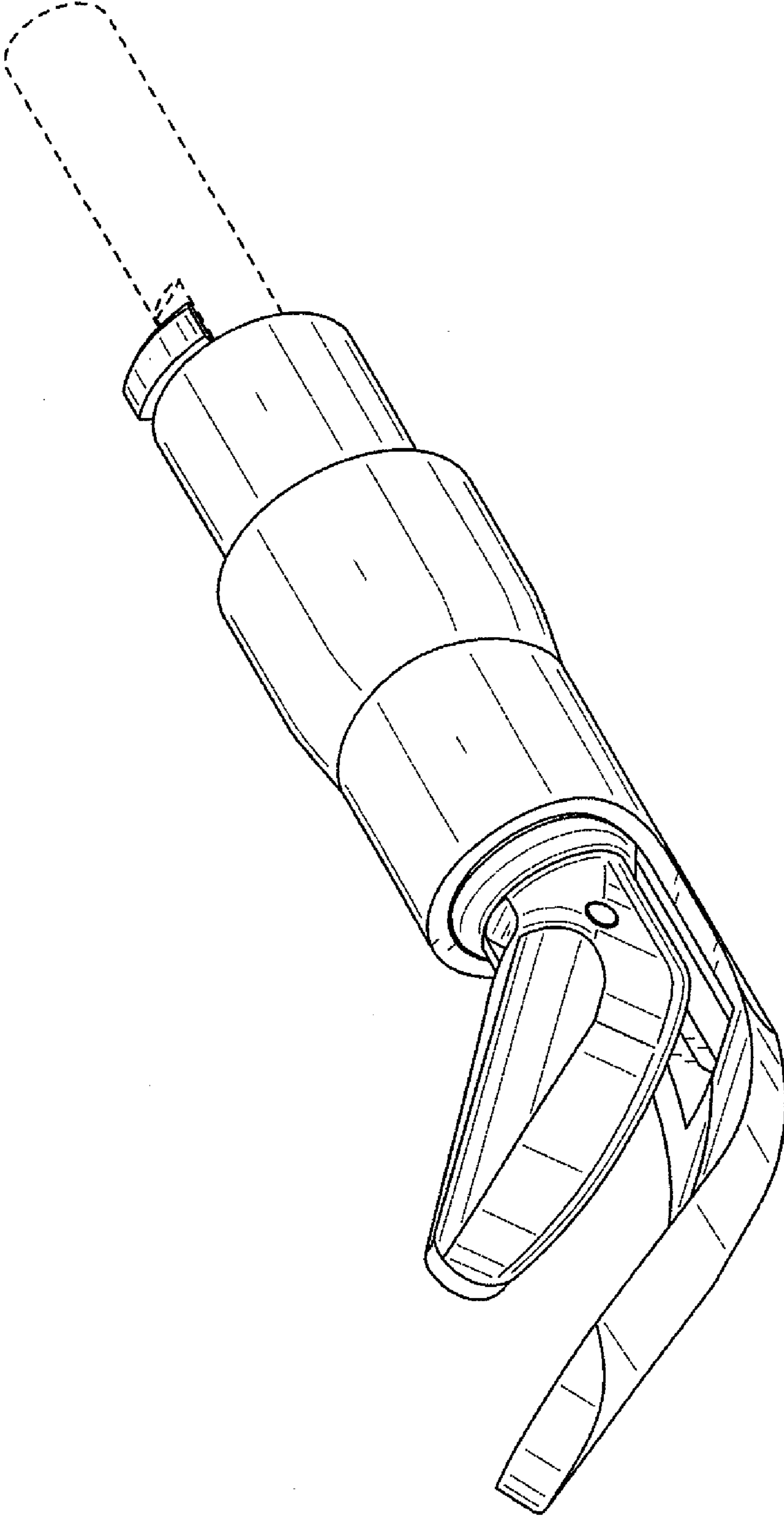


FIG. 7