



US00D677383S

(12) **United States Design Patent**
Morand et al.

(10) **Patent No.:** **US D677,383 S**
(45) **Date of Patent:** **** Mar. 5, 2013**

- (54) **BEDPAN**
- (75) Inventors: **Michel Morand**, Verdun (CA); **Éric Tanguay**, Candiac (CA)
- (73) Assignee: **Hygie Canada Inc.**, Brossard, Quebec (CA)
- (**) Term: **14 Years**
- (21) Appl. No.: **29/390,648**
- (22) Filed: **Apr. 27, 2011**
- (51) **LOC (9) Cl.** **24-04**
- (52) **U.S. Cl.** **D24/123**
- (58) **Field of Classification Search** D24/123, D24/122, 121, 117; D23/276, 295, 302; 4/450–458, DIG. 5; 600/574; D27/125
See application file for complete search history.

D304,496 S	11/1989	Thomas	
D341,421 S	11/1993	Jones	
D353,000 S	11/1994	Bradley, Jr.	
5,455,972 A	10/1995	Williams	
5,697,921 A *	12/1997	Blair	4/450
5,778,461 A	7/1998	Attaway	
D405,526 S	2/1999	Bonelli	
D446,845 S	8/2001	Jacuzzi et al.	
D482,446 S	11/2003	Rainville-Lonn et al.	
D495,415 S	8/2004	Theodore	
D571,460 S	6/2008	Korjack	
D579,558 S	10/2008	McBarnett et al.	
D605,754 S *	12/2009	Nelson et al.	D24/121
D608,633 S *	1/2010	Elmerhaus	D24/123
D627,062 S	11/2010	Tanguay	

FOREIGN PATENT DOCUMENTS

EP	0031396	7/1981
EP	0948304	4/2005
WO	03090659	11/2003
WO	2009073983	6/2009

* cited by examiner

Primary Examiner — David Muller

(74) *Attorney, Agent, or Firm* — Price Heneveld LLP

(56) **References Cited**

U.S. PATENT DOCUMENTS

2,466,142 A *	4/1949	Yost	4/456
3,246,344 A *	4/1966	Saulson	4/455
3,249,950 A *	5/1966	Wilson	4/452
D216,058 S	11/1969	Painter et al.	
D235,081 S	5/1975	Gatewood	
3,921,234 A	11/1975	Mracek et al.	
4,011,606 A	3/1977	Scrafield et al.	
D246,382 S *	11/1977	Parker, III	D24/123
D249,162 S	8/1978	Mills	
D251,202 S *	2/1979	Charewicz	D24/123
4,168,548 A *	9/1979	Cantrell	4/450
D253,304 S *	10/1979	Nakao et al.	D24/123
D263,336 S *	3/1982	Nielsen	D24/123
D267,342 S *	12/1982	Laible	D24/123
D270,018 S	8/1983	Knight	
4,610,039 A	9/1986	Stern	
D295,221 S *	4/1988	Solomon	D24/123

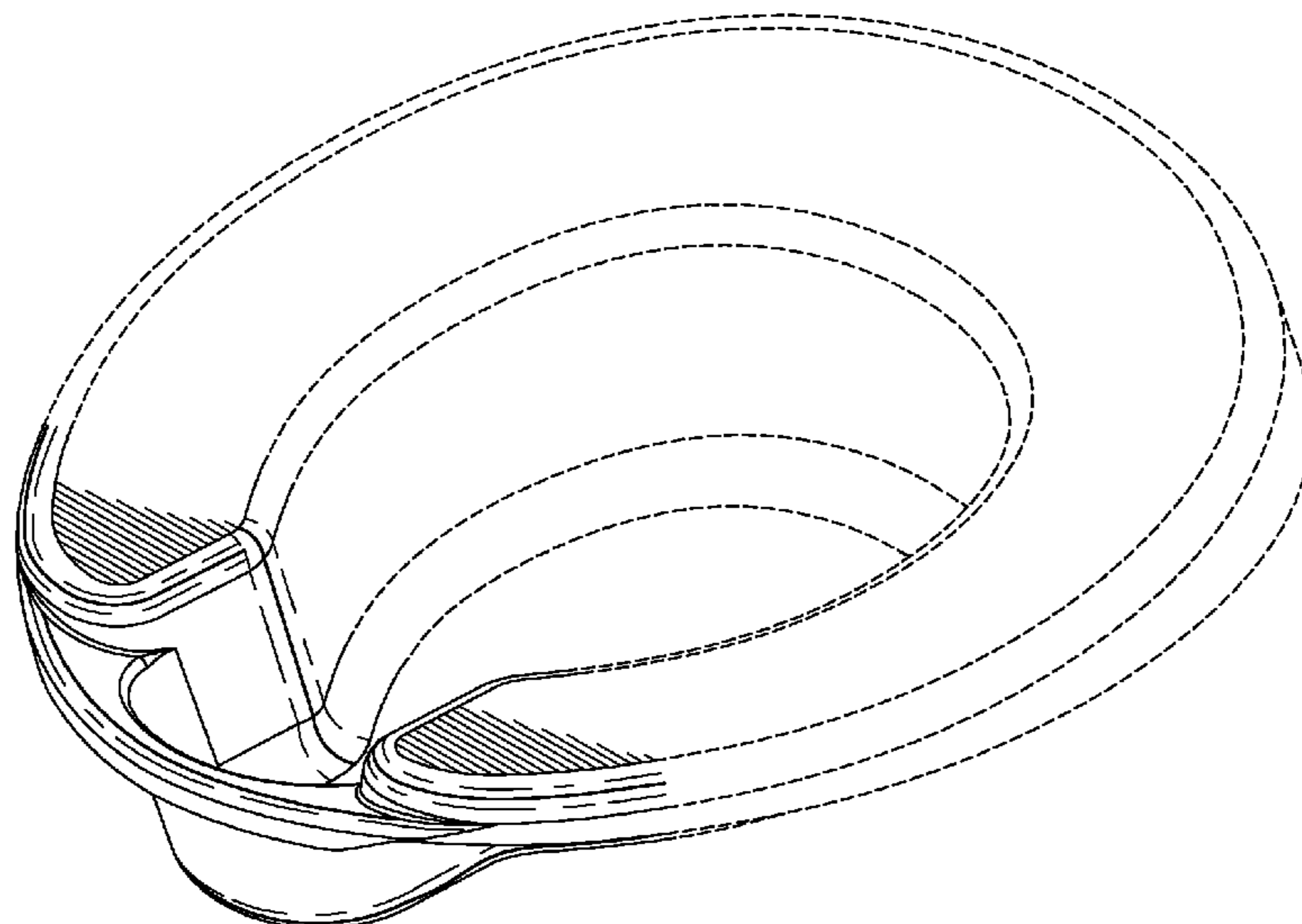
(57) **CLAIM**

The ornamental design for a bedpan, as shown and described.

DESCRIPTION

FIG. 1 is a perspective view of the bedpan;
 FIG. 2 is a top plan view thereof;
 FIG. 3 is a bottom plan view thereof;
 FIG. 4 is a left side elevation view thereof;
 FIG. 5 is a front elevation view thereof;
 FIG. 6 is a right side elevation view thereof; and,
 FIG. 7 is a rear elevation view thereof.
 The parts shown in dashed lines from no part of the invention.

1 Claim, 7 Drawing Sheets



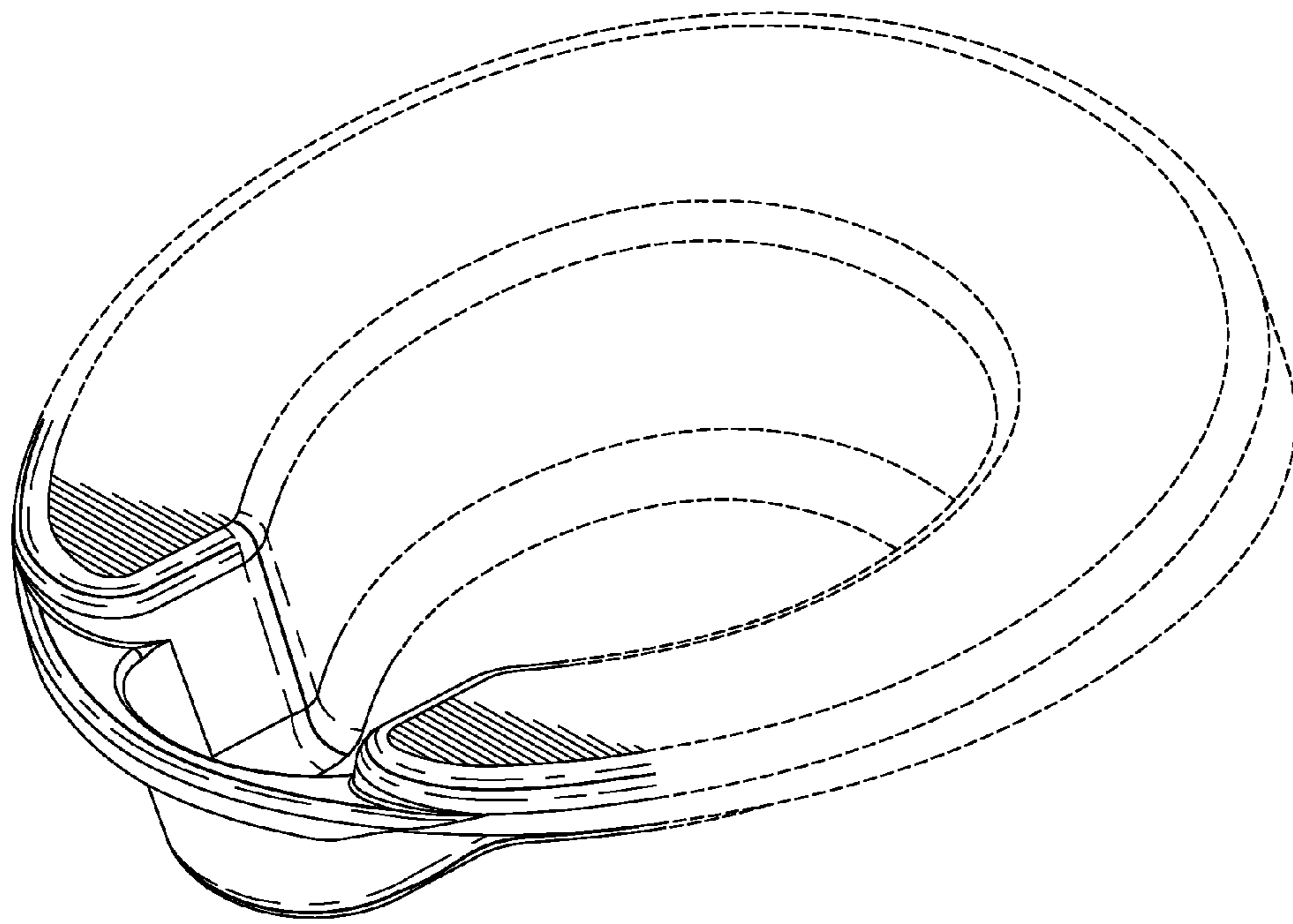


FIG-1

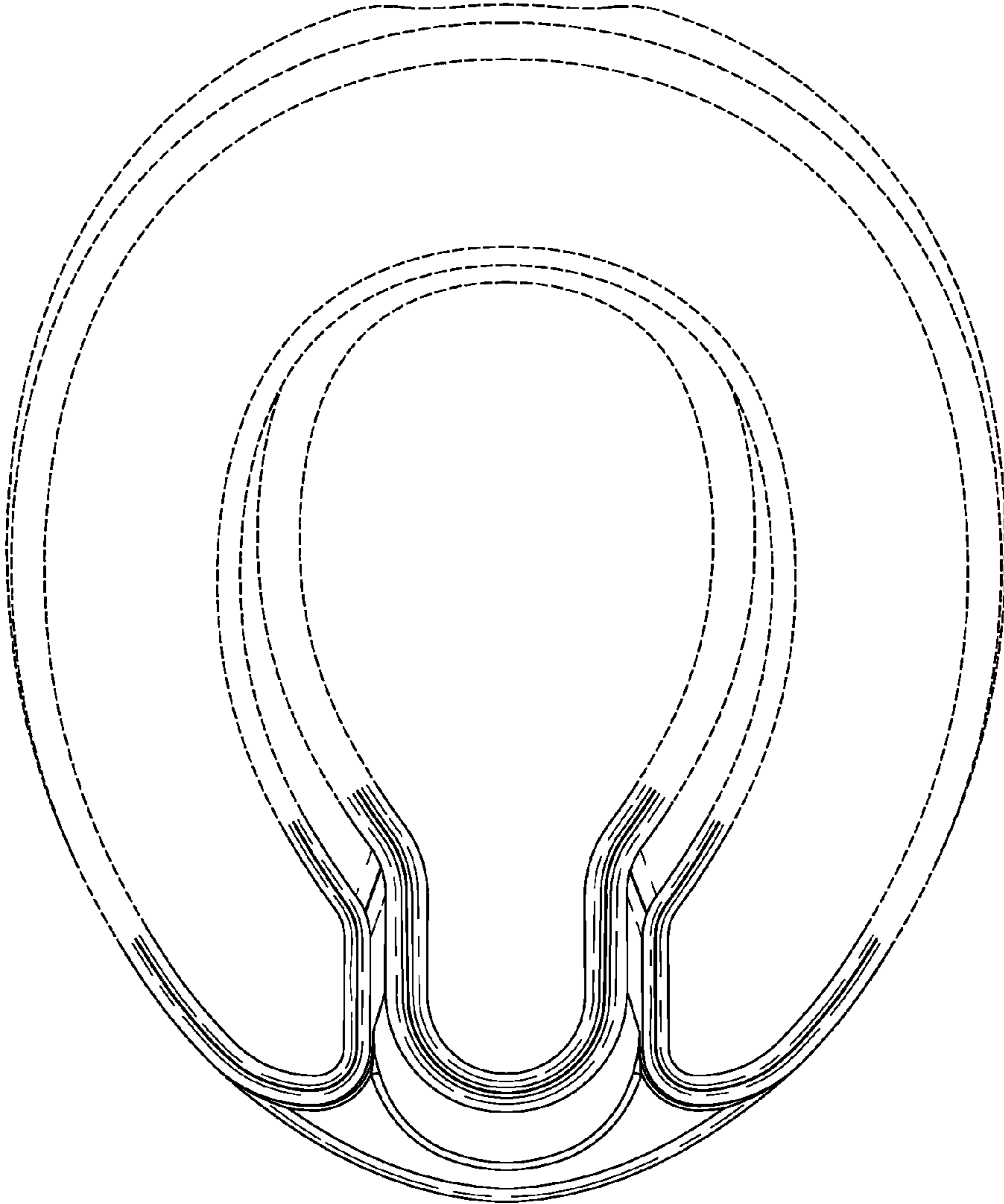


Fig-2

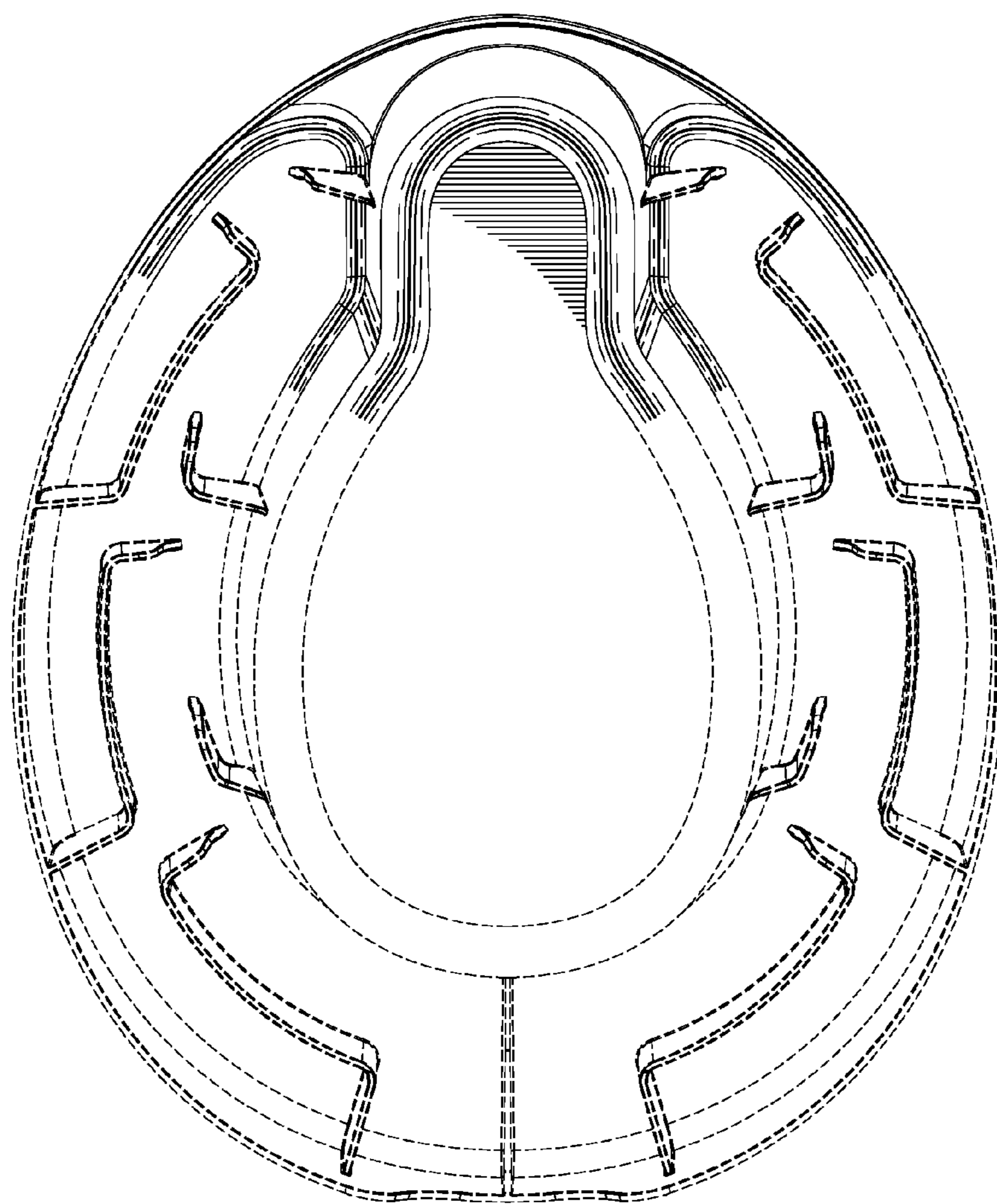


Fig-3

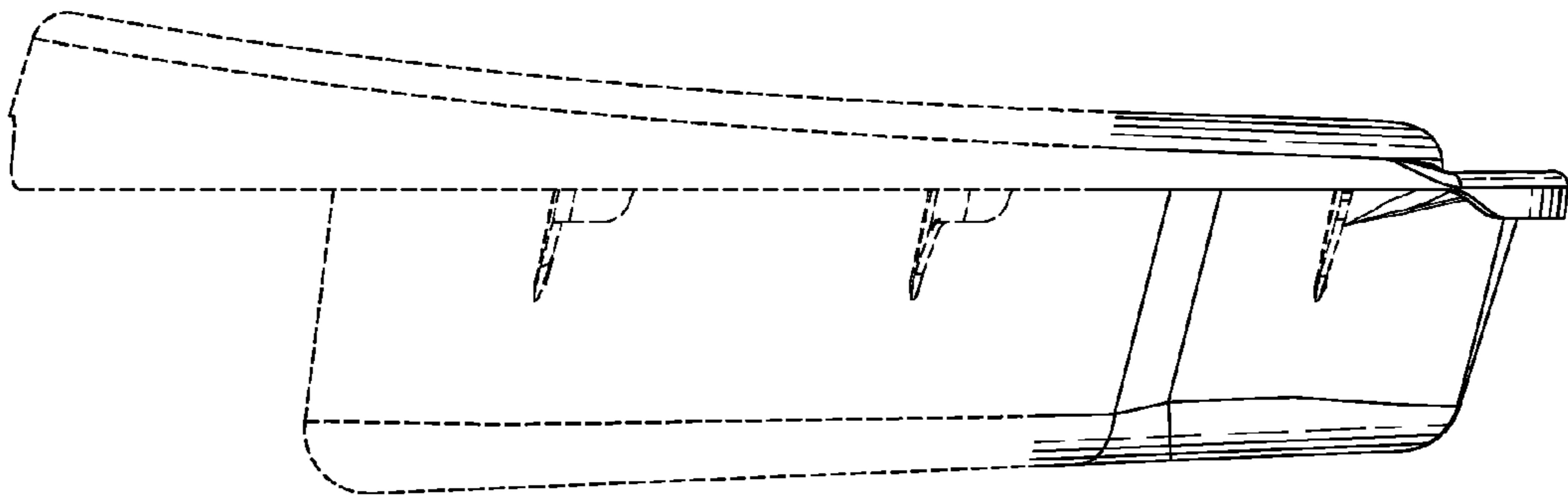


Fig-4

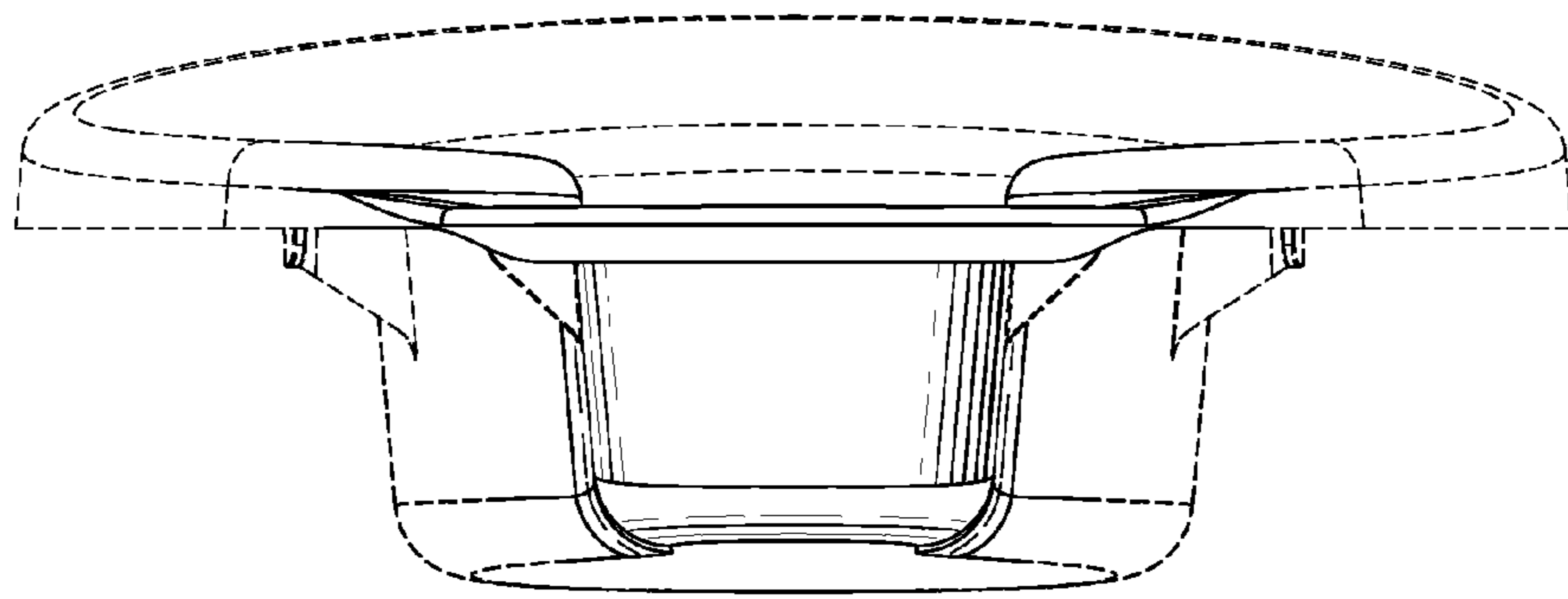


Fig-5

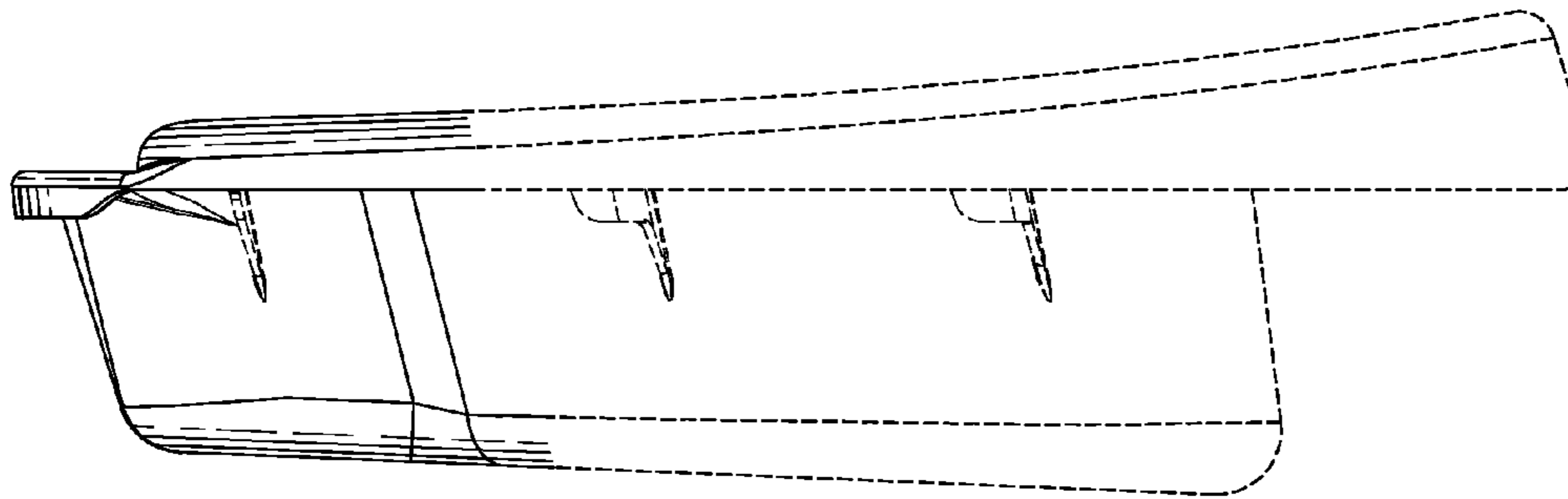


FIG. 6

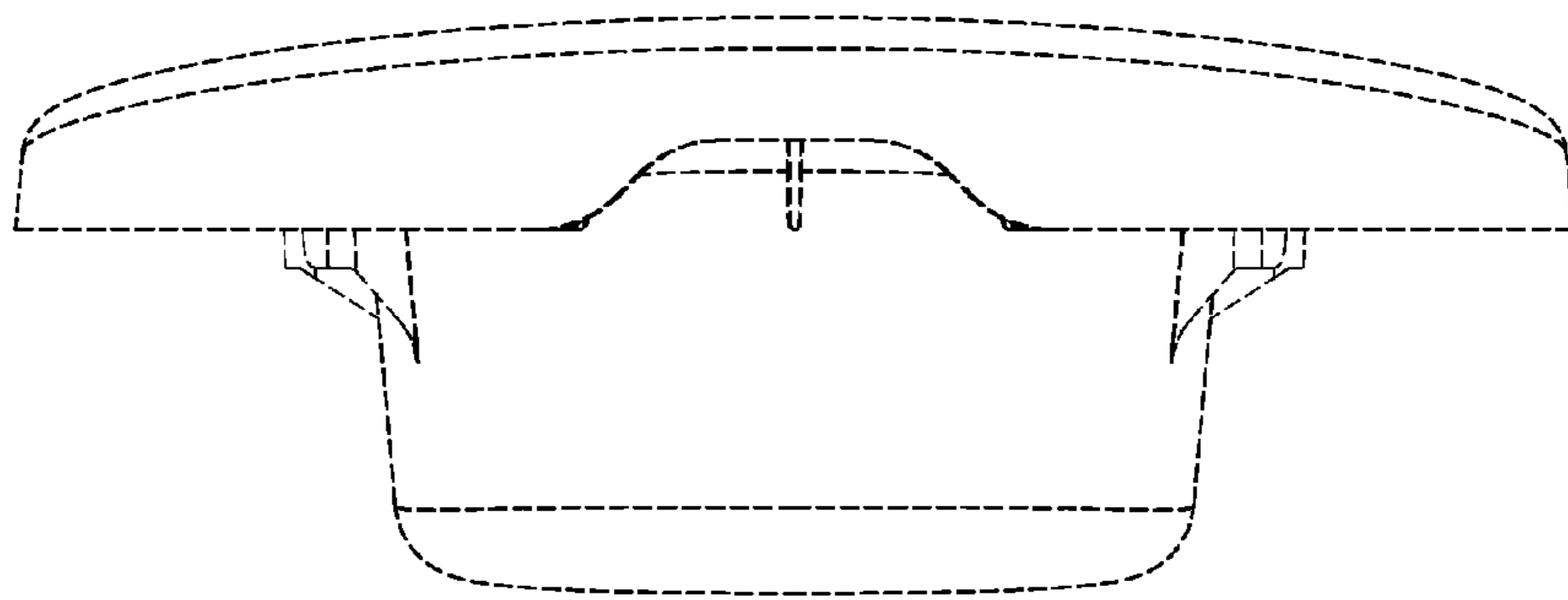


Fig-7