



US00D677382S

(12) **United States Design Patent**  
**Foley et al.**

(10) **Patent No.:** **US D677,382 S**  
(45) **Date of Patent:** **\*\* Mar. 5, 2013**

(54) **DRUG DELIVERY DEVICE**

(75) Inventors: **Nicholas Foley**, Edinburgh (GB); **James Glencross**, Edinburgh (GB)

(73) Assignee: **Janssen Biotech, Inc.**, Malvern, PA (US)

(\*\*) Term: **14 Years**

(21) Appl. No.: **29/370,687**

(22) Filed: **Aug. 19, 2010**

(51) **LOC (9) Cl.** ..... **24-02**

(52) **U.S. Cl.** ..... **D24/114**

(58) **Field of Classification Search** ..... D24/112-114,  
D24/133, 186, 104, 130, 127, 121, 224, 176;  
606/181, 185; 604/232, 187, 158, 164.08,  
604/192, 263, 163, 181, 184, 198, 227  
See application file for complete search history.

(56) **References Cited**

**U.S. PATENT DOCUMENTS**

D485,365	S	*	1/2004	Py et al.	.....	D24/224
D491,275	S	*	6/2004	Walters et al.	.....	D24/224
6,808,507	B2		10/2004	Roser		
D510,139	S	*	9/2005	Gilad et al.	.....	D24/186
D559,396	S	*	1/2008	Dave	.....	D24/224
D562,987	S	*	2/2008	Colin et al.	.....	D24/224
D567,388	S	*	4/2008	Harold et al.	.....	D24/224
D596,744	S	*	7/2009	Hull et al.	.....	D24/133
D613,400	S	*	4/2010	Hunter et al.	.....	D24/130
D613,401	S	*	4/2010	Hunter et al.	.....	D24/130
D613,861	S	*	4/2010	Hunter et al.	.....	D24/130
D619,720	S	*	7/2010	Cheetham	.....	D24/176
D623,738	S	*	9/2010	Van der Stappen	.....	D24/130
D627,459	S	*	11/2010	Uchida et al.	.....	D24/130

**OTHER PUBLICATIONS**

Zosano Pharma—ZP-PTH, ZP PTH—Lead Product [http://www.zosanopharma.com/index.php?option=com\\_content&task=view&id=127&Itemid=167](http://www.zosanopharma.com/index.php?option=com_content&task=view&id=127&Itemid=167), Last accessed Jun. 2, 2011.

\* cited by examiner

*Primary Examiner* — David Muller

(74) *Attorney, Agent, or Firm* — Woodcock Washburn LLP

(57) **CLAIM**

We claim the ornamental design for a drug delivery device, as shown and described.

**DESCRIPTION**

FIG. 1 is an upper left front perspective view of the drug delivery device in the open condition.

FIG. 2 is a front elevational view of the drug delivery device in the open condition; the rear elevational view is identical thereto.

FIG. 3 is a right side elevational view of the activated drug delivery device in the open condition; the left side elevational view is identical thereto.

FIG. 4 is a top plan view of the drug delivery device.

FIG. 5 is a bottom plan view of the drug delivery device.

FIG. 6 is an upper left front perspective view of the drug delivery device in the collapsed condition with the cover removed.

FIG. 7 is a front elevational view of the drug delivery device in the collapsed condition with the cover removed; the rear elevational view is identical thereto.

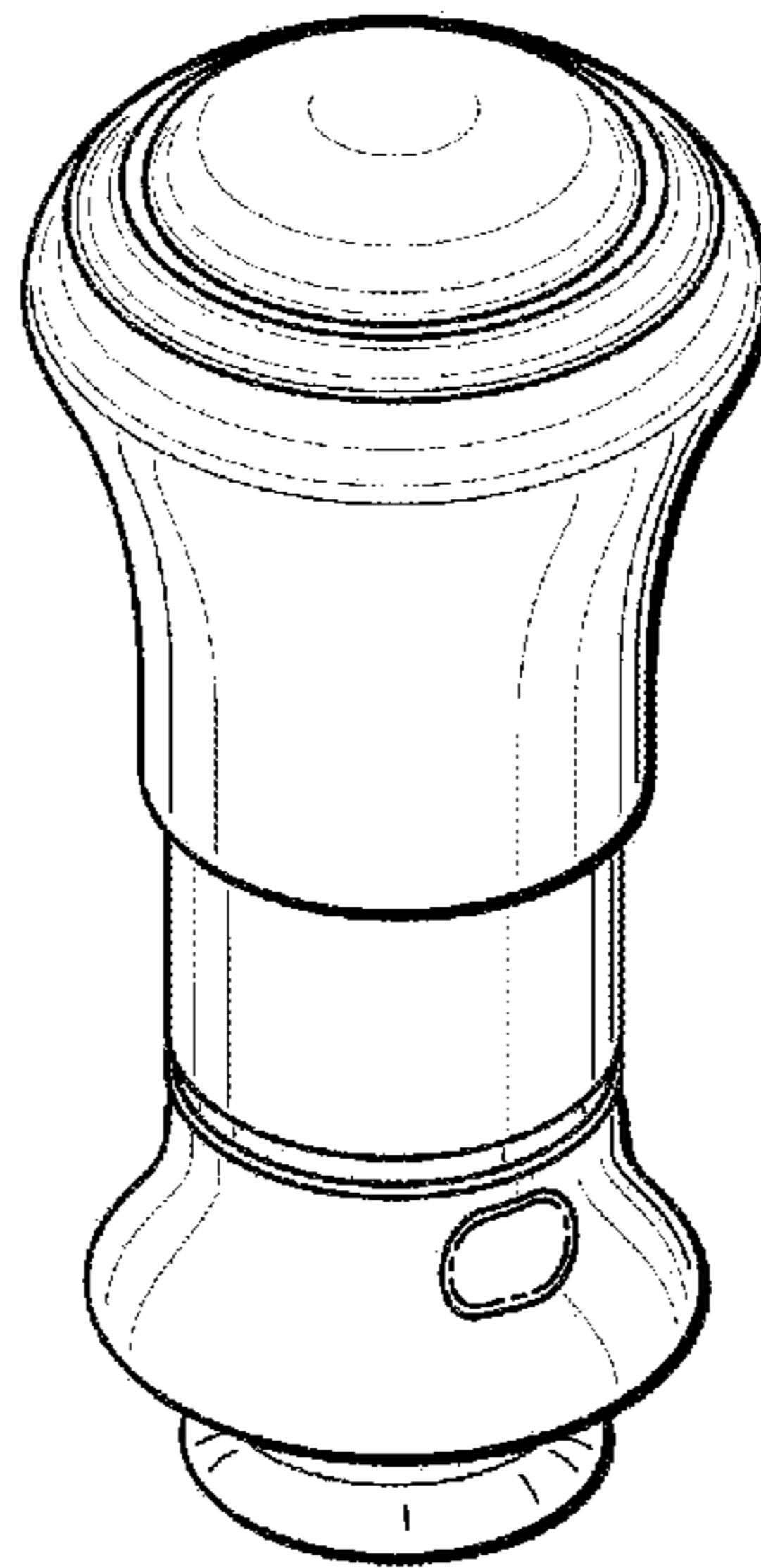
FIG. 8 is a right side elevational view of the delivery device in the collapsed condition with the cover removed; the left side elevational view is identical thereto.

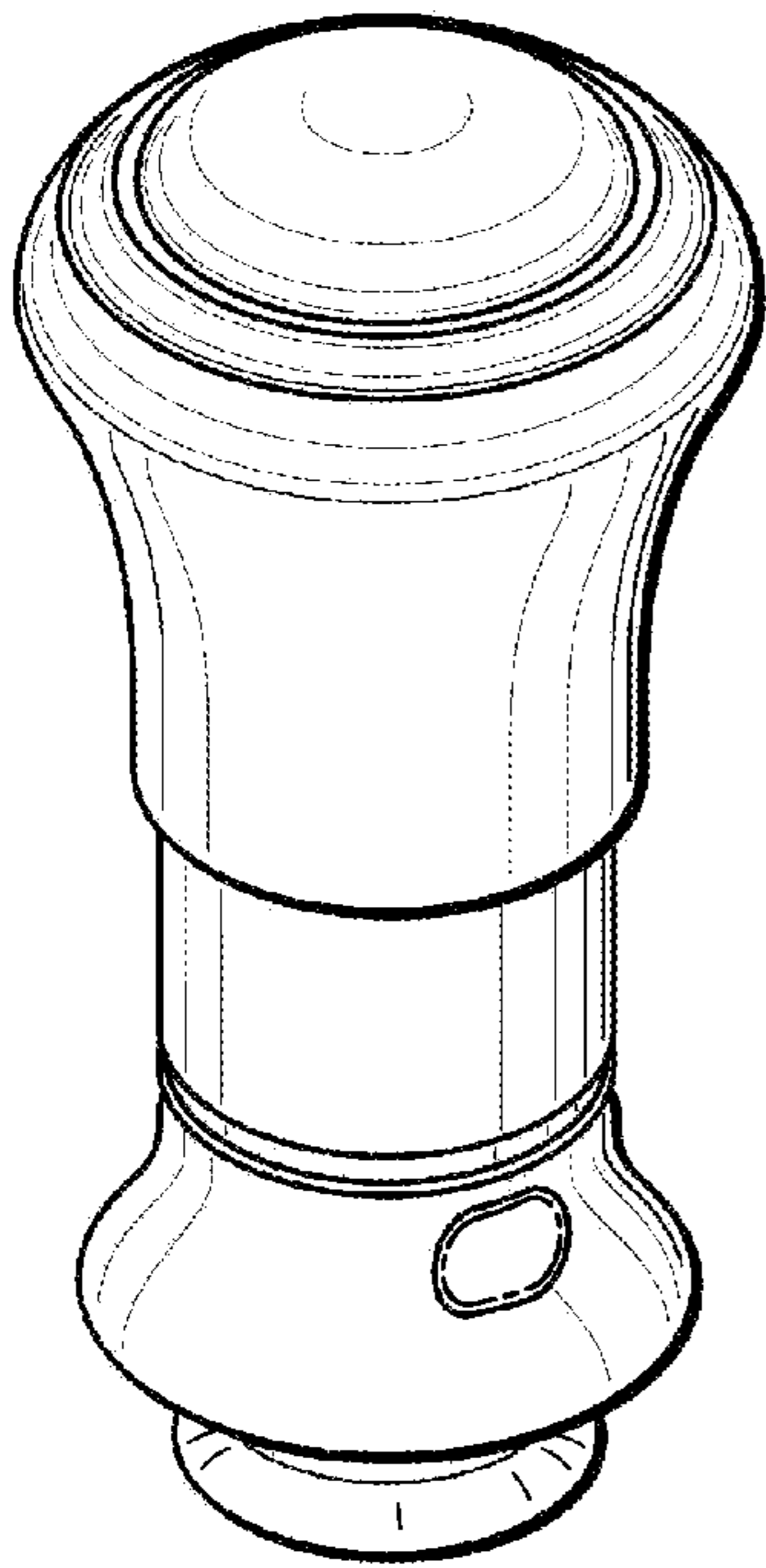
FIG. 9 is a bottom plan view of the drug delivery device taken along Line 9-9 shown in FIG. 7; and,

FIG. 10 is a top plan of the cover only, taken along Line 10-10 in FIG. 7.

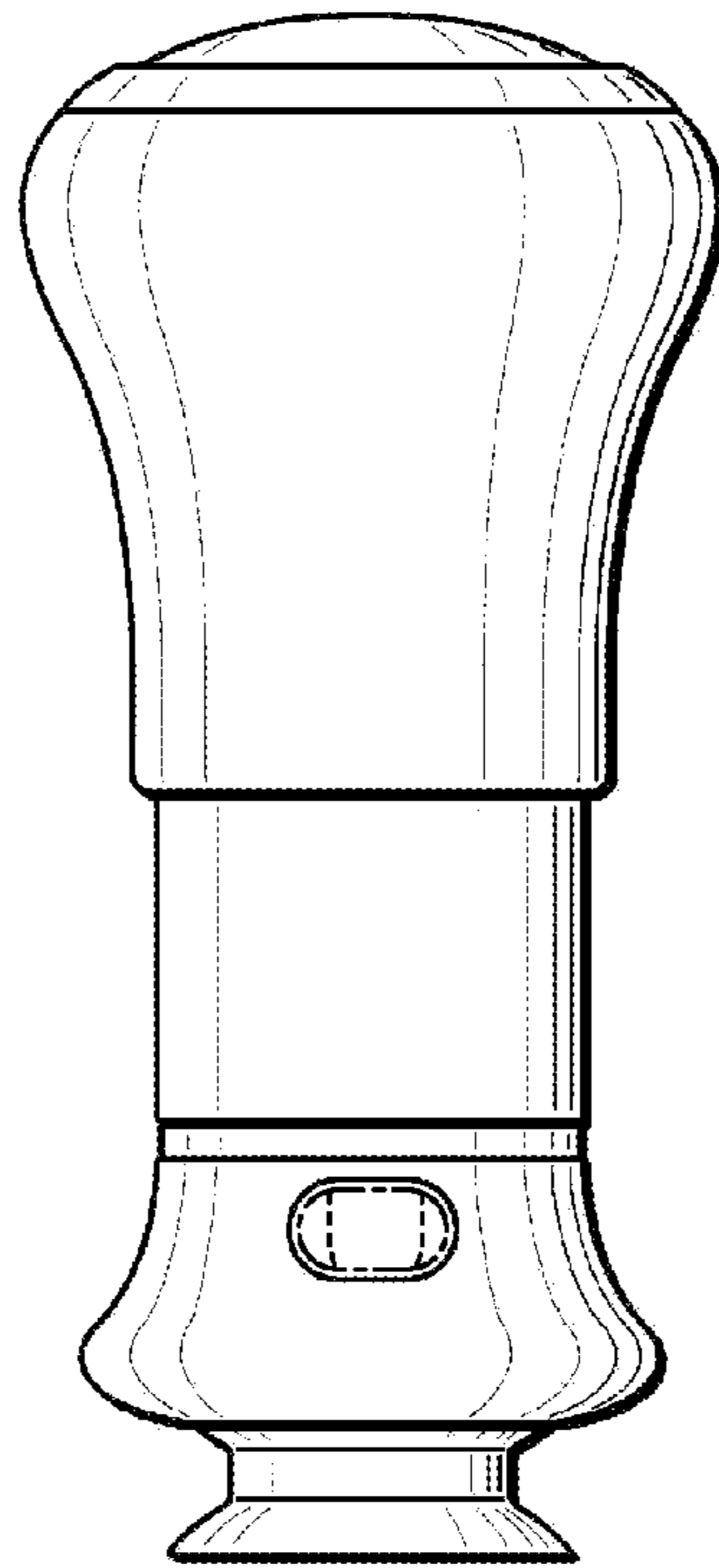
The broken line showing of parts of the drawings is included for the purpose of illustrating use and environment and forms no part of the claimed design.

**1 Claim, 2 Drawing Sheets**

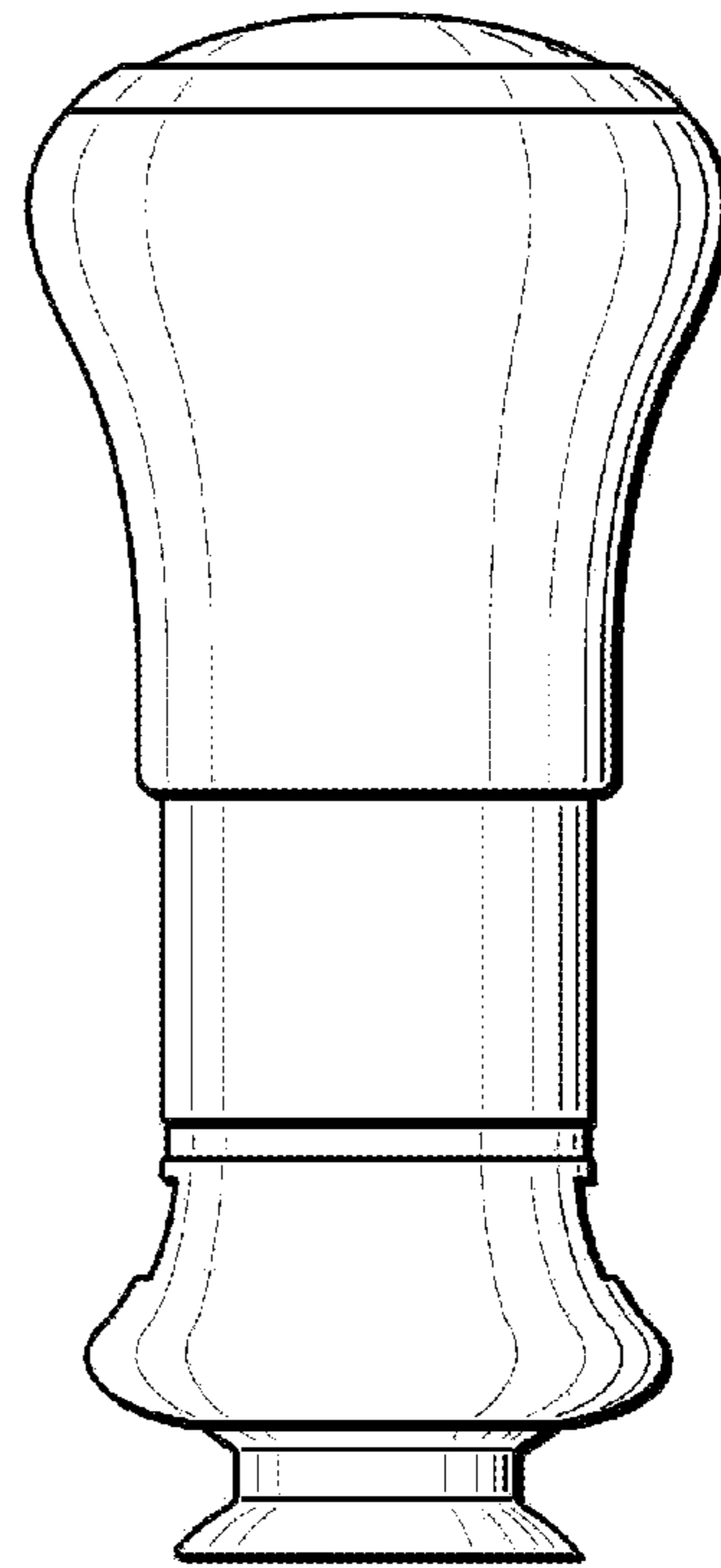




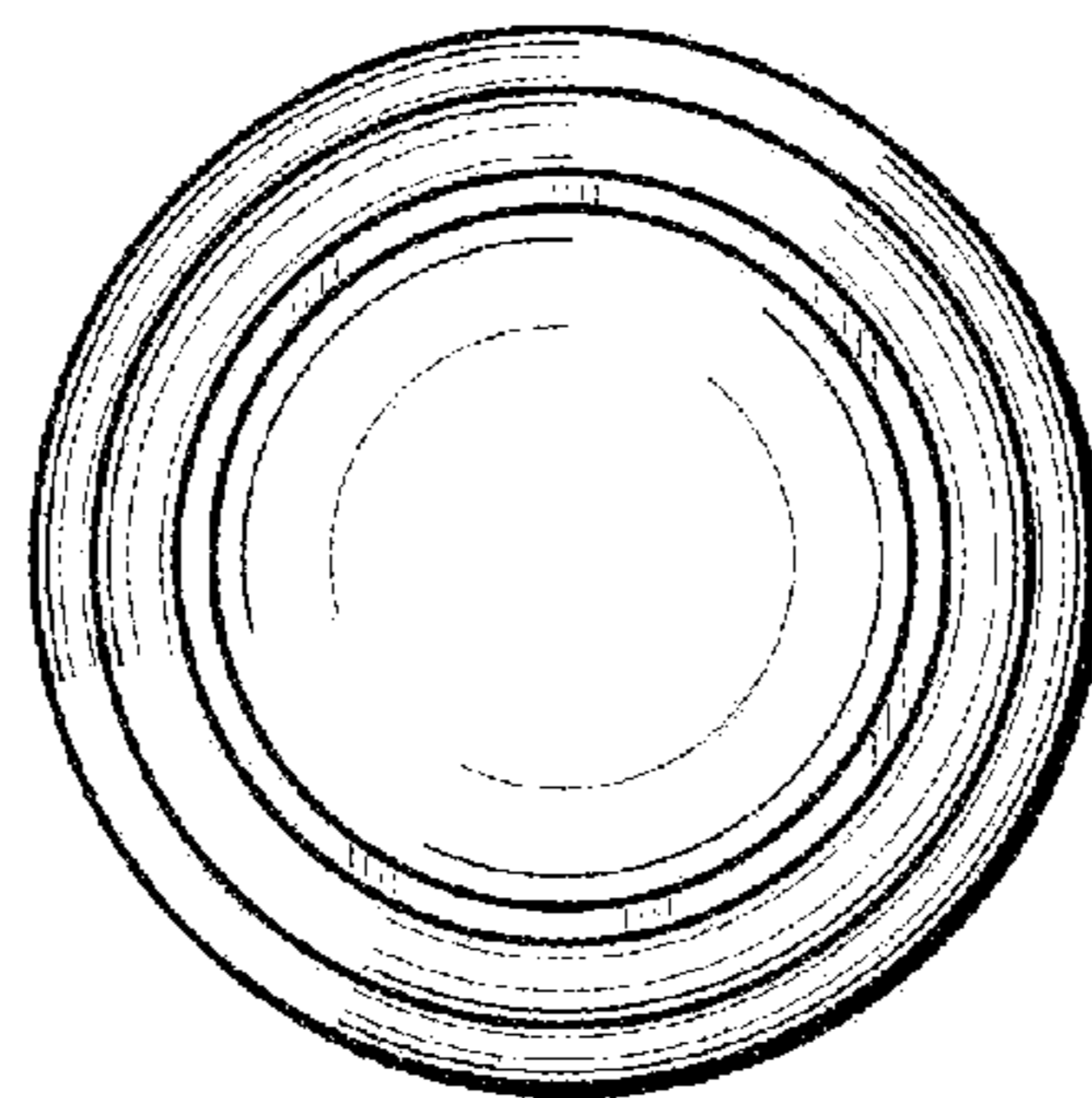
**FIG. 1**



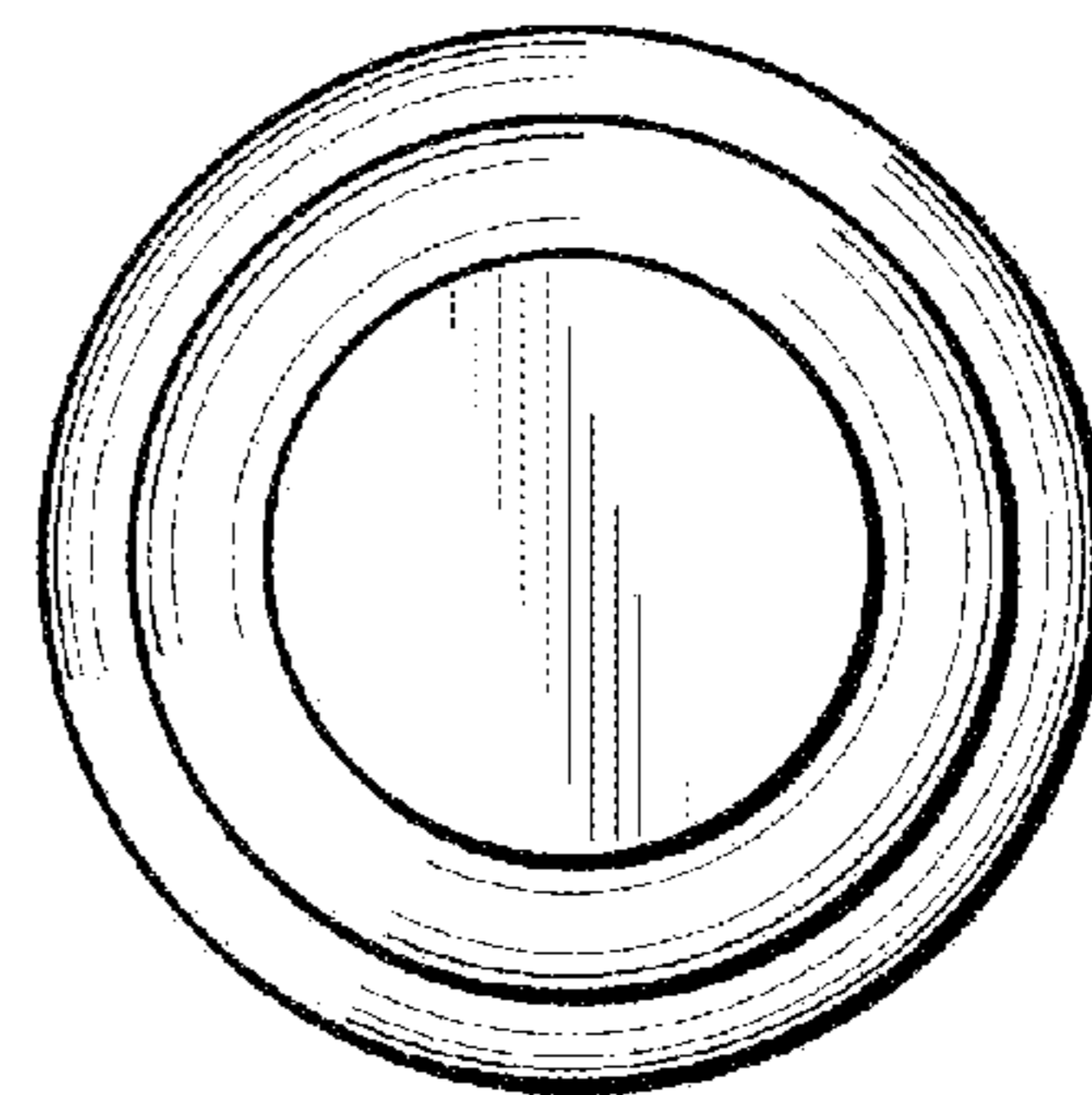
**FIG. 2**



**FIG. 3**



**FIG. 4**



**FIG. 5**

