



US00D677381S

(12) **United States Design Patent**
Stones et al.

(10) **Patent No.:** **US D677,381 S**
(45) **Date of Patent:** **** Mar. 5, 2013**

(54) **MEDICINE INJECTOR**

(56) **References Cited**

(75) Inventors: **Nicholas Charles Stones**, Basel (CH);
Martin James Dinnage, Cambridge
(GB); **Serge Roux**, Cambridge, MA
(US); **Jeremy Alan Van Hill**, Boston,
MA (US); **Timothy Duncan Wooller**,
London (GB); **Andy Duncan Pidgeon**,
Cambridge (GB); **Alan Leslie Hawkins**,
Kent (GB)

(73) Assignee: **Novartis AG**, Basel (CH)

(**) Term: **14 Years**

(21) Appl. No.: **29/424,442**

(22) Filed: **Jun. 12, 2012**

Related U.S. Application Data

(63) Continuation of application No. 29/406,795, filed on
Nov. 18, 2011.

(51) **LOC (9) Cl.** **24-02**

(52) **U.S. Cl.** **D24/113**

(58) **Field of Classification Search** D24/112-114,
D24/133, 130, 127; 606/181, 185; 604/232,
604/187, 158, 164.08, 192, 263, 163, 181,
604/184, 198, 227; D19/41, 43, 45-51, 69;
D8/300, 307, 310; D26/37

See application file for complete search history.

U.S. PATENT DOCUMENTS

D341,200	S	*	11/1993	Yoshimoto	D24/133
D420,739	S	*	2/2000	Moreau-Defarges	D24/112
D429,526	S	*	8/2000	Sullivan et al.	D24/133
D462,440	S	*	9/2002	Formanek	D24/133
D491,986	S	*	6/2004	Bain	D19/69
D495,076	S	*	8/2004	Mandel	D26/37
D530,746	S	*	10/2006	Gerules	D19/45
D538,936	S	*	3/2007	Bohmel et al.	D24/133
D590,492	S	*	4/2009	Powell	D24/133
D597,668	S	*	8/2009	Woodruff et al.	D24/133
D616,024	S	*	5/2010	Siegel	D19/43
D647,613	S	*	10/2011	Paget et al.	D24/133
D650,070	S	*	12/2011	Mori	D24/113

* cited by examiner

Primary Examiner — David Muller

(74) *Attorney, Agent, or Firm* — Design IP

(57) **CLAIM**

The ornamental design for a medicine injector, as shown and described.

DESCRIPTION

FIG. 1 is a perspective view of a medicine injector showing our new design;

FIG. 2 is a front view thereof;

FIG. 3 is a rear view thereof;

FIG. 4 is a left side view thereof;

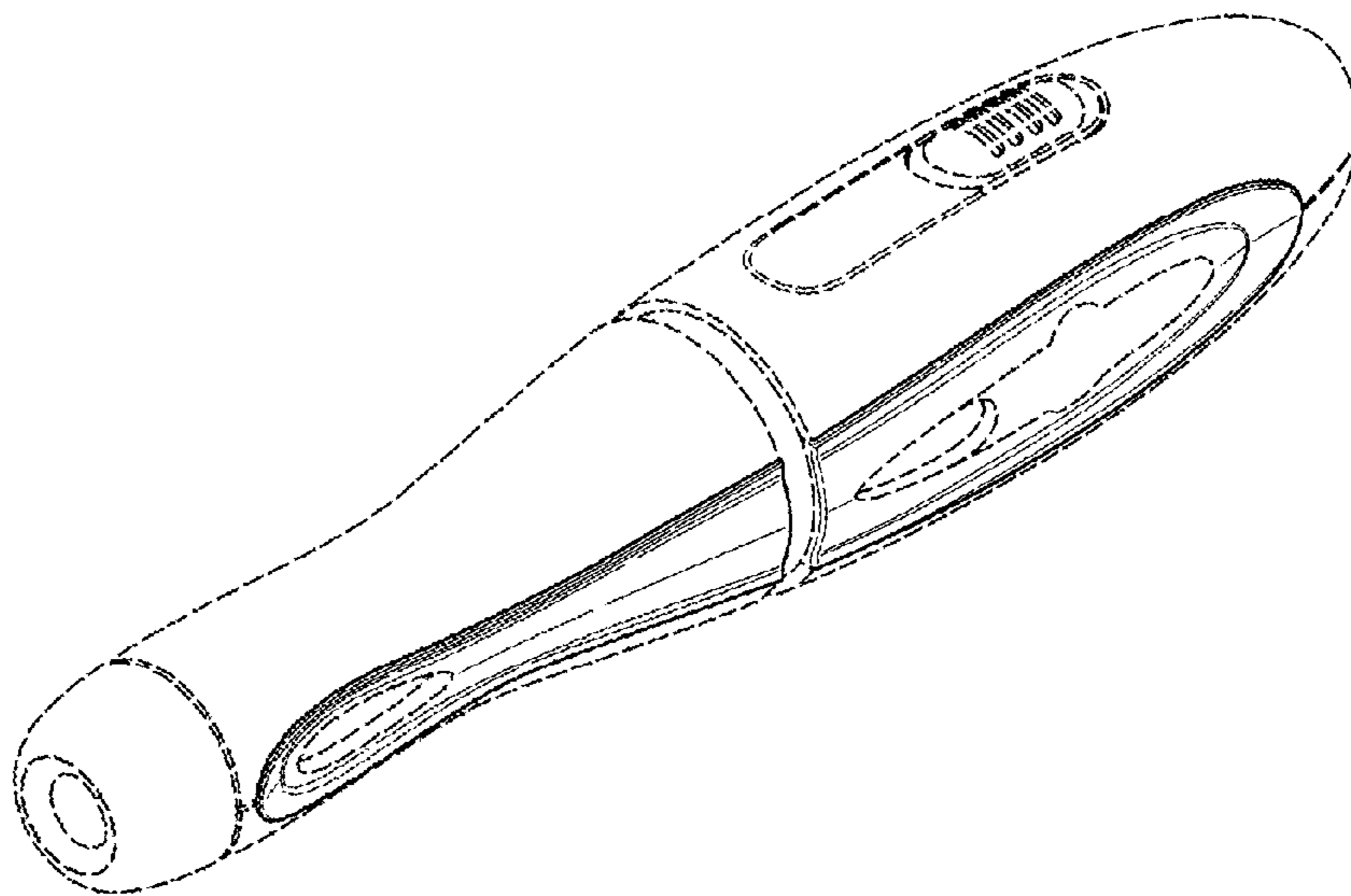
FIG. 5 is a right side view thereof;

FIG. 6 is a top view thereof; and,

FIG. 7 is a bottom view thereof.

The broken lines shown in FIGS. 1-7 represent environmental subject matter and form no part of the claimed design.

1 Claim, 2 Drawing Sheets



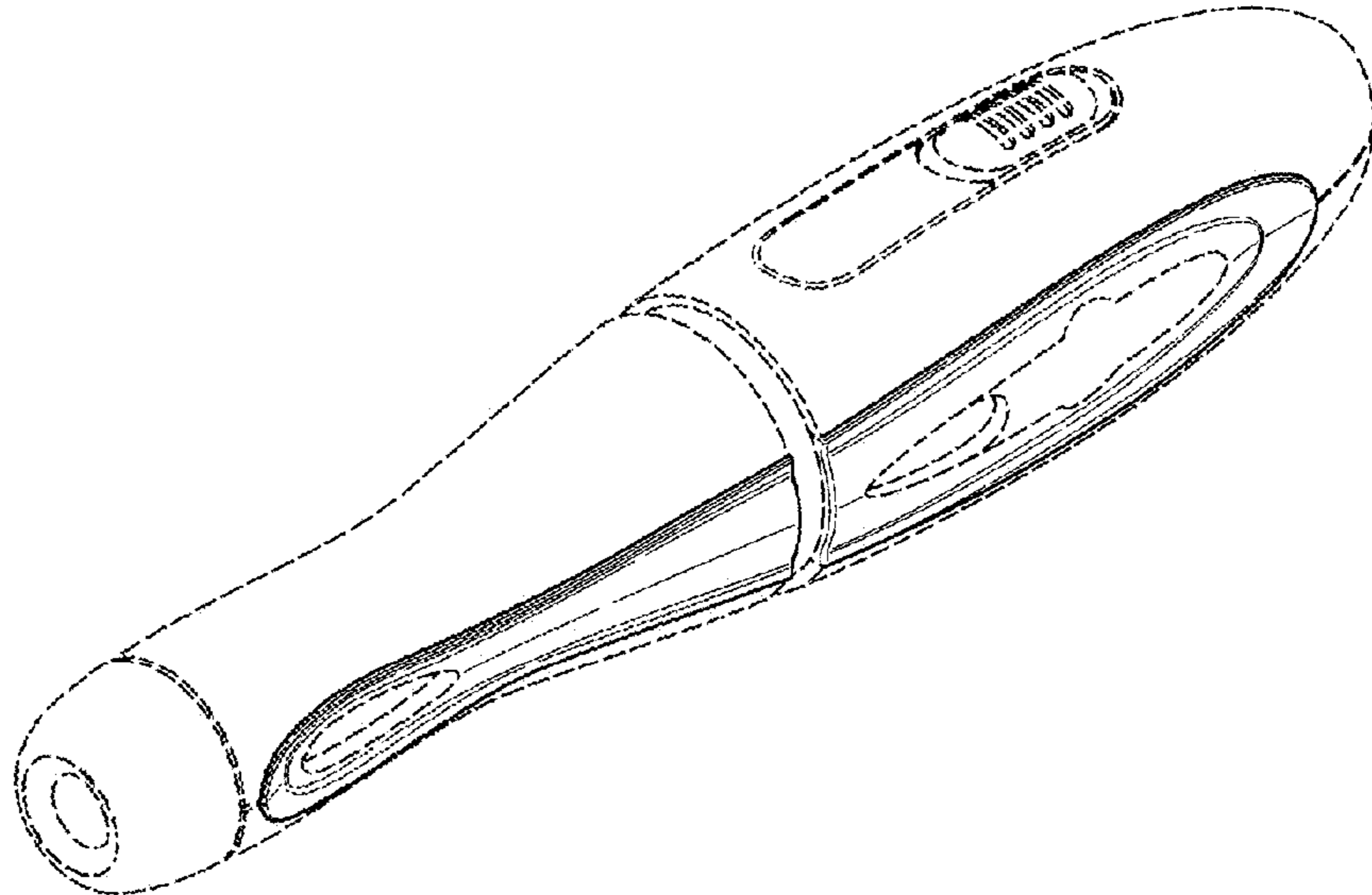


Fig. 1

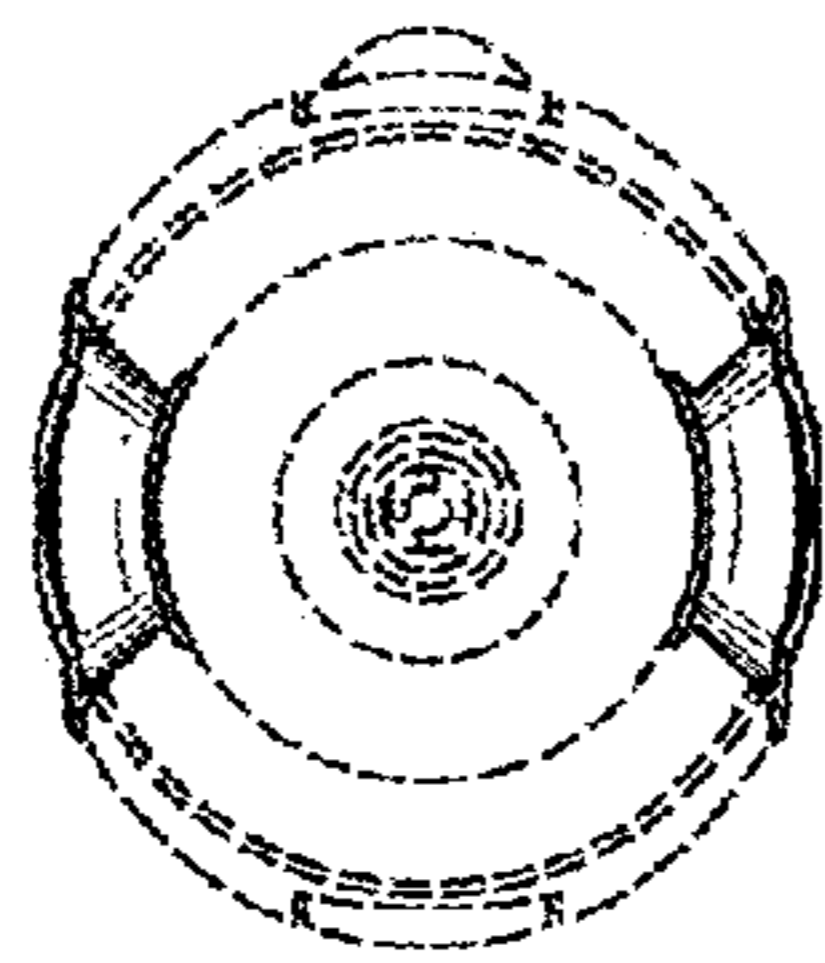


Fig. 2

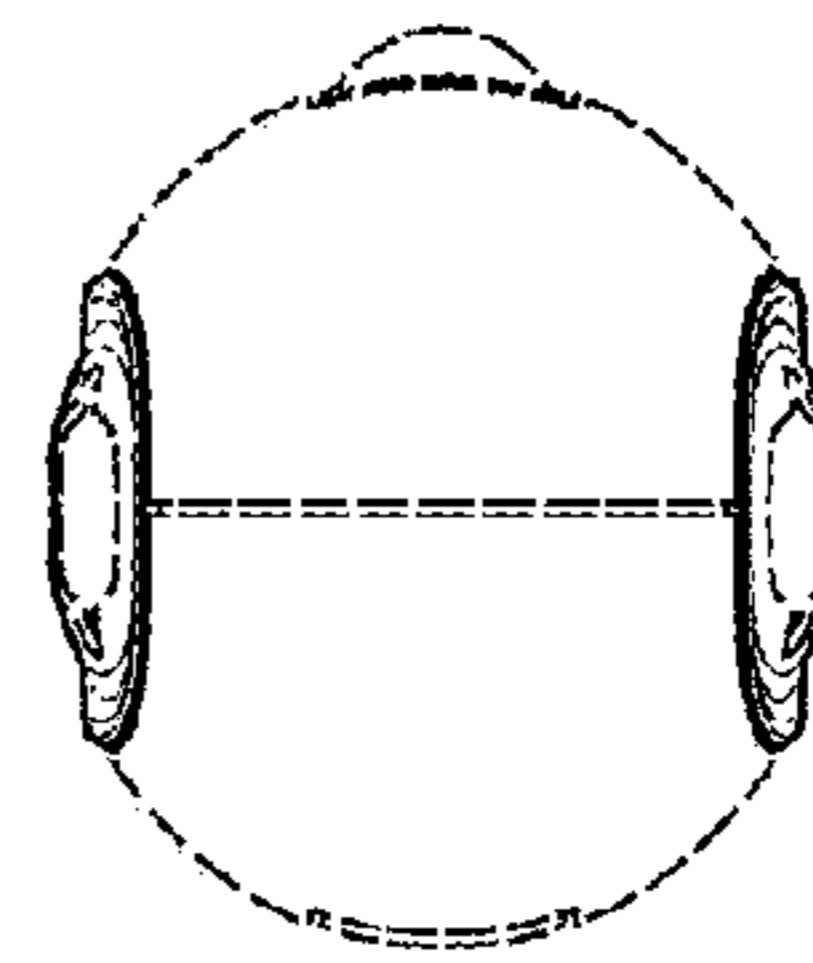


Fig. 3

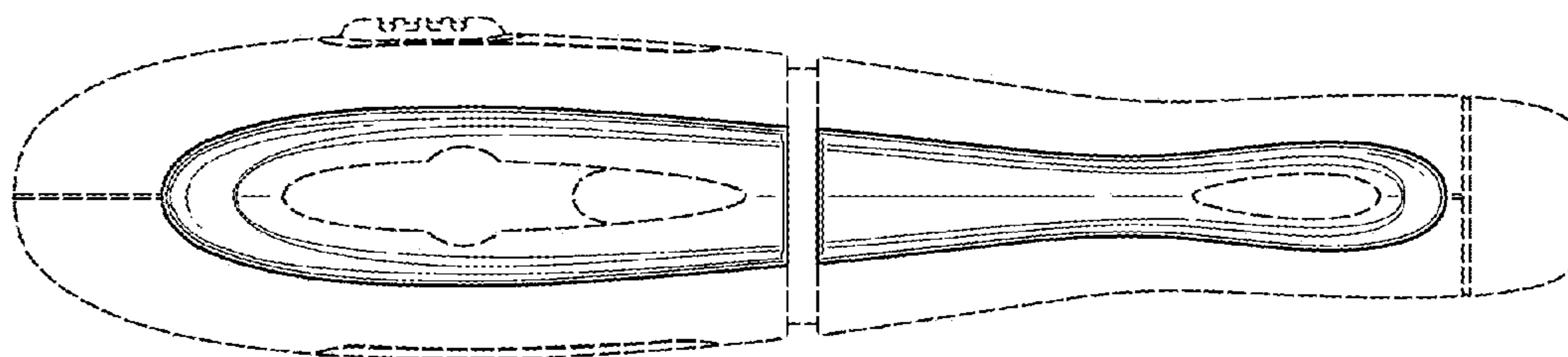


Fig. 4

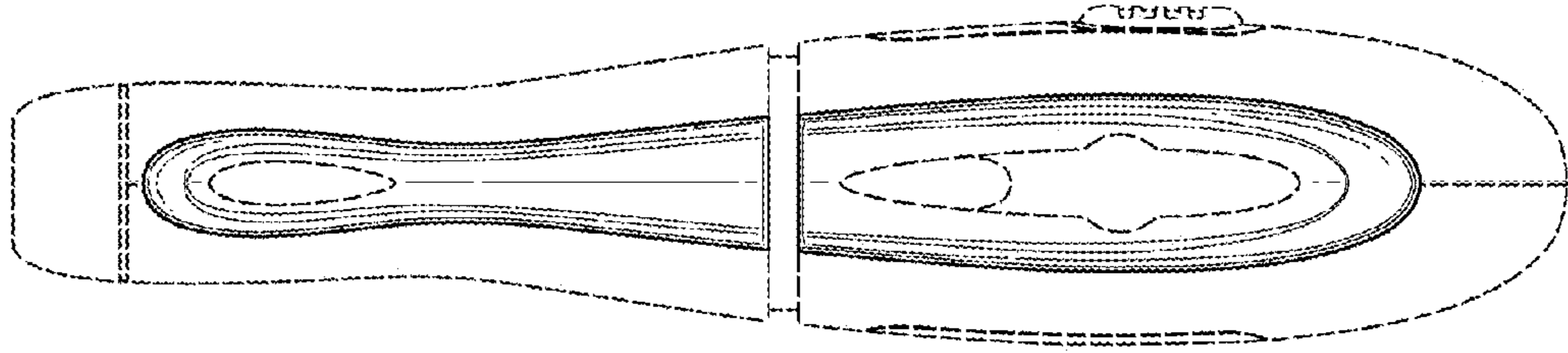


Fig. 5

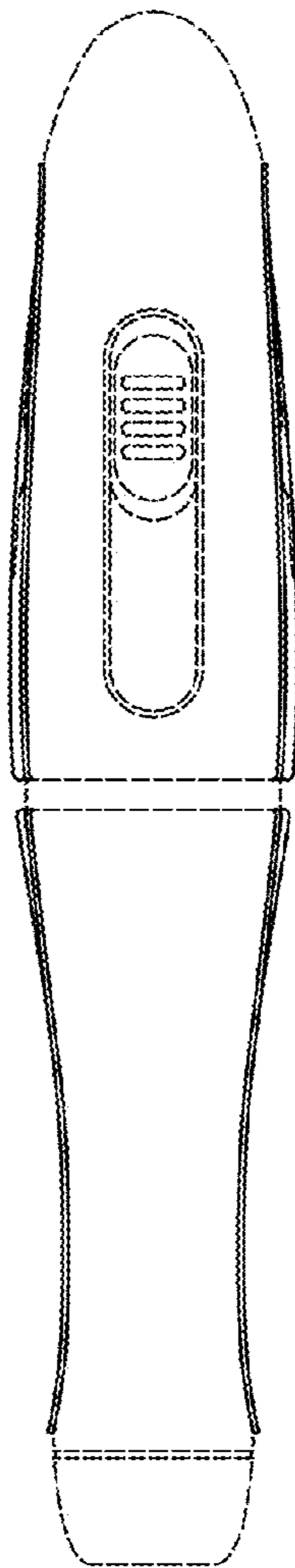


Fig. 6

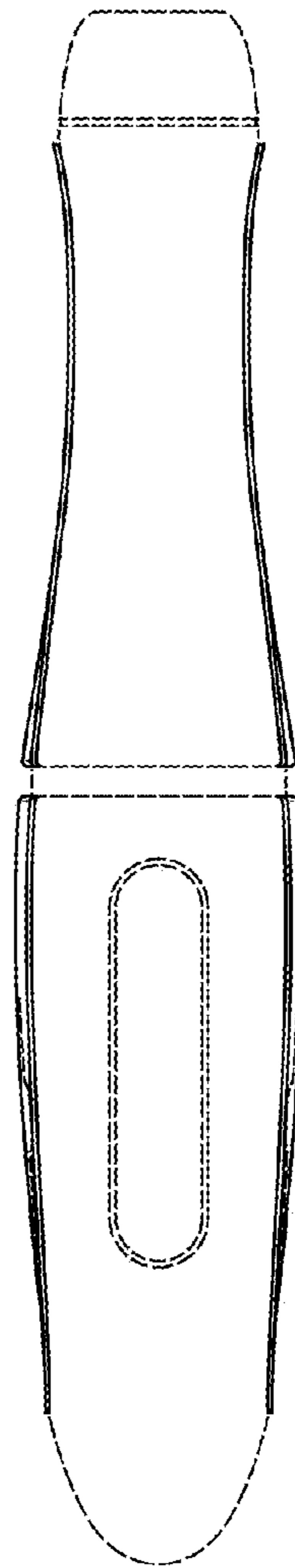


Fig. 7