



US00D677380S

(12) **United States Design Patent**
Julian et al.

(10) **Patent No.:** **US D677,380 S**
(45) **Date of Patent:** **** Mar. 5, 2013**

(54) **AUTOMATIC INJECTION DEVICE**

(75) Inventors: **Joseph F. Julian**, Libertyville, IL (US);
Chuan Li, Deerfield, IL (US); **Aaron B. Eiger**, Chicago, IL (US); **Mark Kurth**, Beverly Shores, IN (US); **Sabrina Katz**, Chicago, IL (US); **Adam Calif**, Chicago, IL (US)

(73) Assignee: **AbbVie Biotechnology Ltd.**, Hamilton (BM)

(**) Term: **14 Years**

(21) Appl. No.: **29/383,882**

(22) Filed: **Jan. 24, 2011**

(51) **LOC (9) Cl.** **24-02**

(52) **U.S. Cl.** **D24/113**

(58) **Field of Classification Search** D24/112-114,
D24/133, 186, 104, 130, 127; 606/181, 185;
604/232, 187, 158, 164.08, 192, 263, 163,
604/181, 184, 198, 227

See application file for complete search history.

(56) **References Cited**

U.S. PATENT DOCUMENTS

D428,651 S * 7/2000 Andersson et al. D24/112
D453,569 S * 2/2002 Himbert D24/114

D545,439 S * 6/2007 Draudt et al. D24/186
D619,702 S * 7/2010 Galbraith D24/114
D621,932 S * 8/2010 Sonleiter et al. D24/133
D628,690 S * 12/2010 Galbraith D24/114
D629,098 S * 12/2010 Sonleiter et al. D24/133
D633,199 S * 2/2011 MacKay et al. D24/127
D641,077 S * 7/2011 Sanders et al. D24/113
D645,139 S * 9/2011 Sawhney et al. D24/113
D647,613 S * 10/2011 Paget et al. D24/133
D650,070 S * 12/2011 Mori D24/113
D653,329 S * 1/2012 Lee-Sepsick D24/112

* cited by examiner

Primary Examiner — David Muller

(74) *Attorney, Agent, or Firm* — McCarter & English, LLP

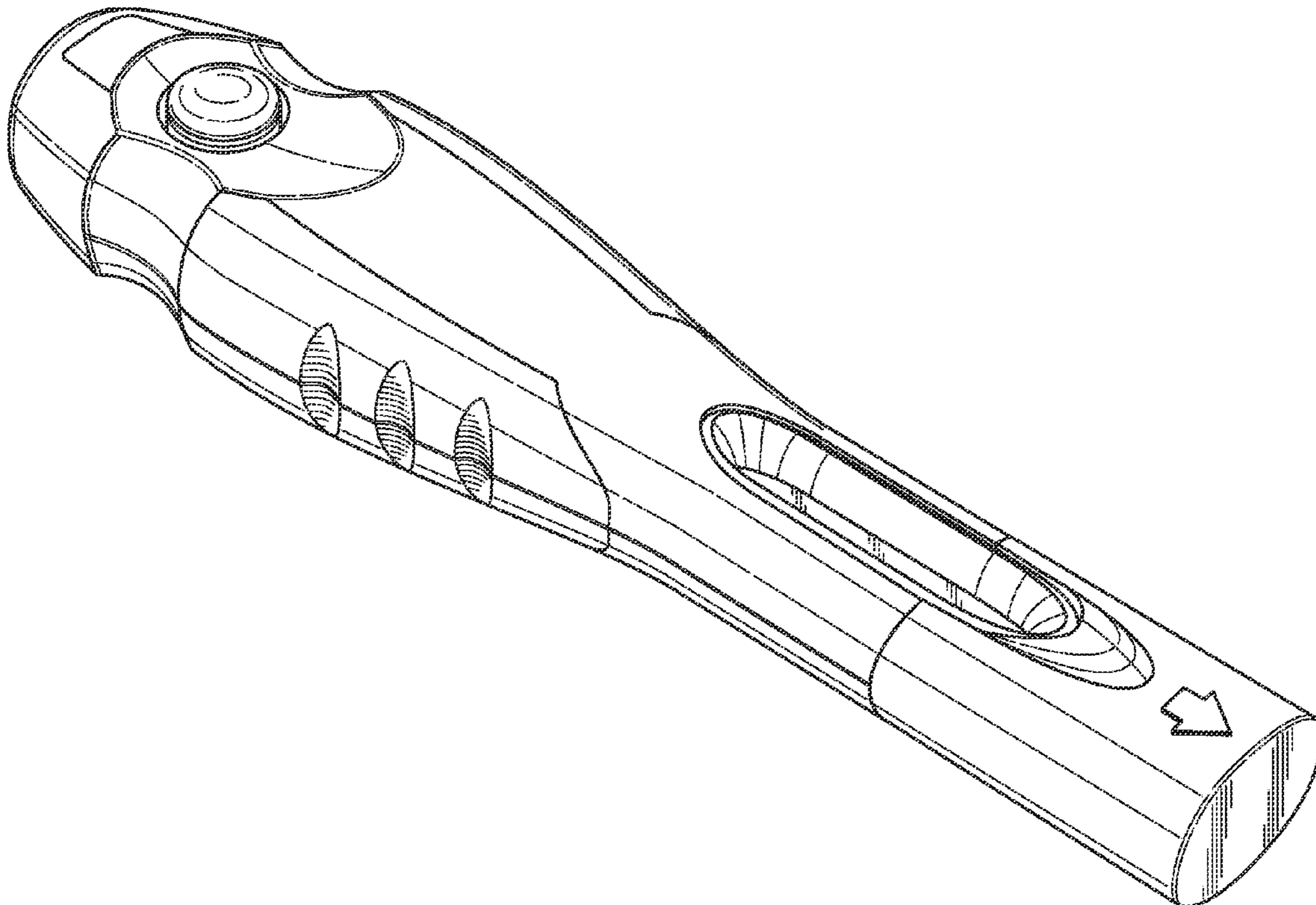
(57) **CLAIM**

The ornamental design for an automatic injection device, as shown and described.

DESCRIPTION

FIG. 1 is a front perspective view of an automatic injection device with a removable cap on showing the design; FIG. 2 is a front elevation view thereof; FIG. 3 is a rear elevation view thereof; FIG. 4 is a left side elevation view thereof, the right side being a mirror image of the left; FIG. 5 is a top plan view thereof; and, FIG. 6 is a bottom plan view thereof.

1 Claim, 5 Drawing Sheets



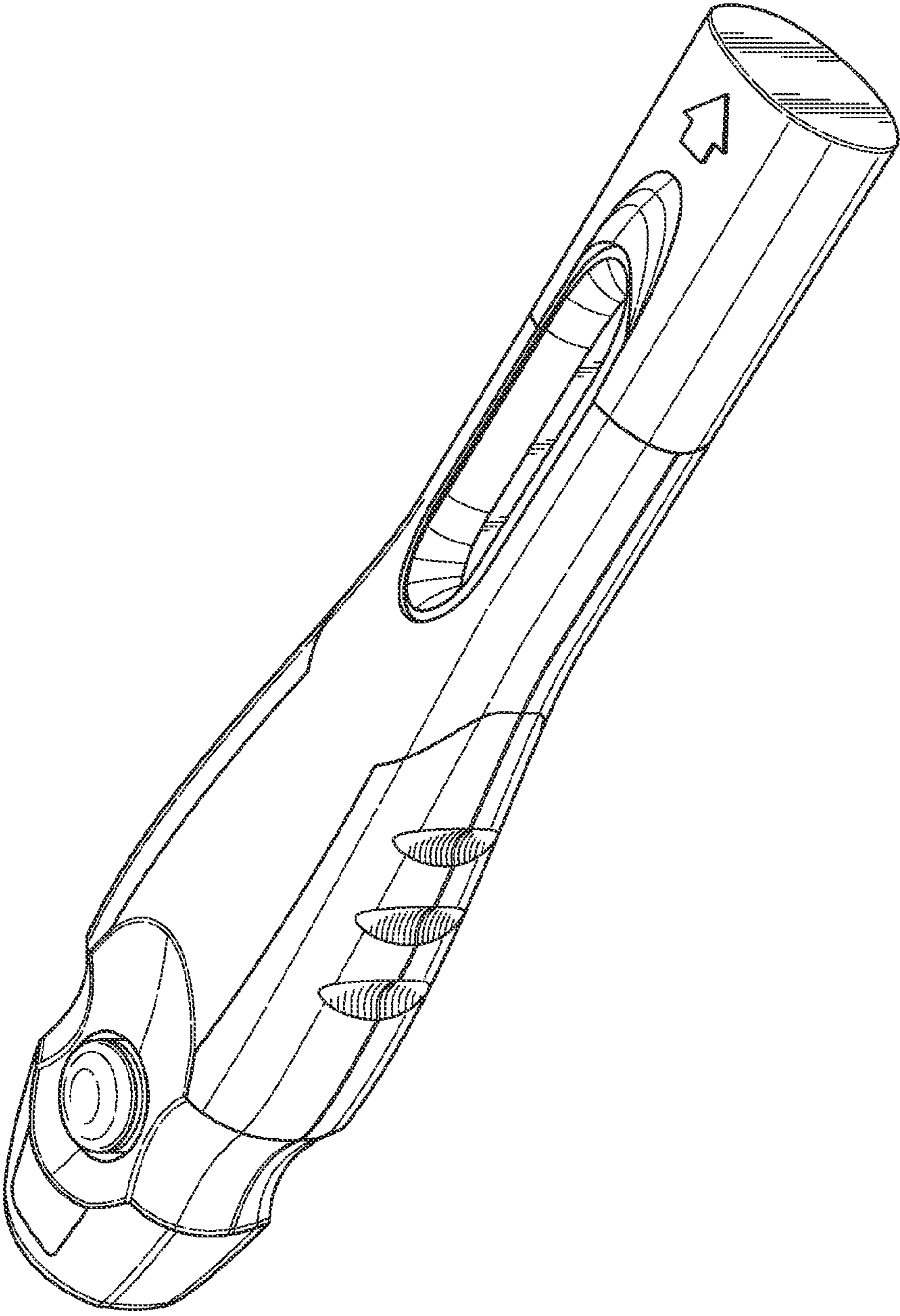


FIG. 1

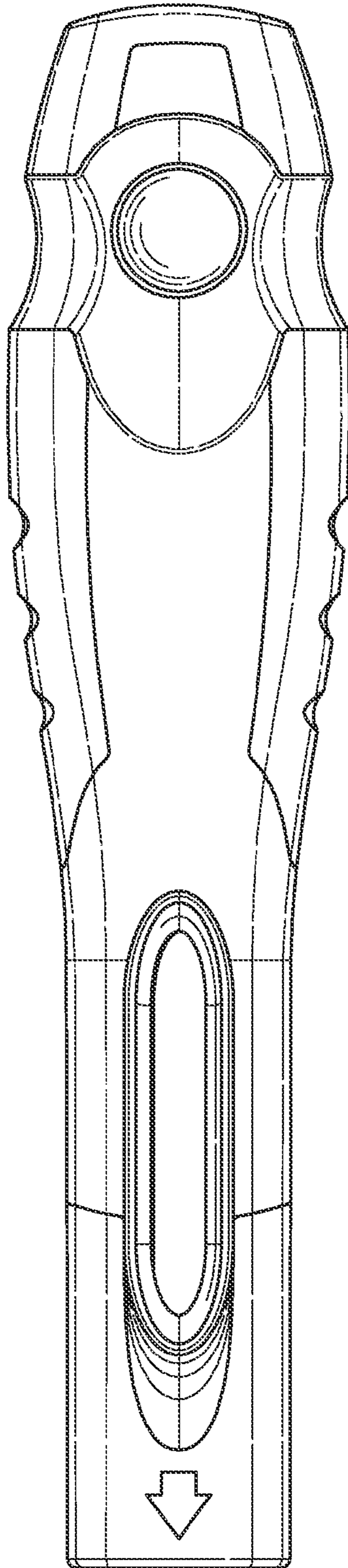


FIG. 2

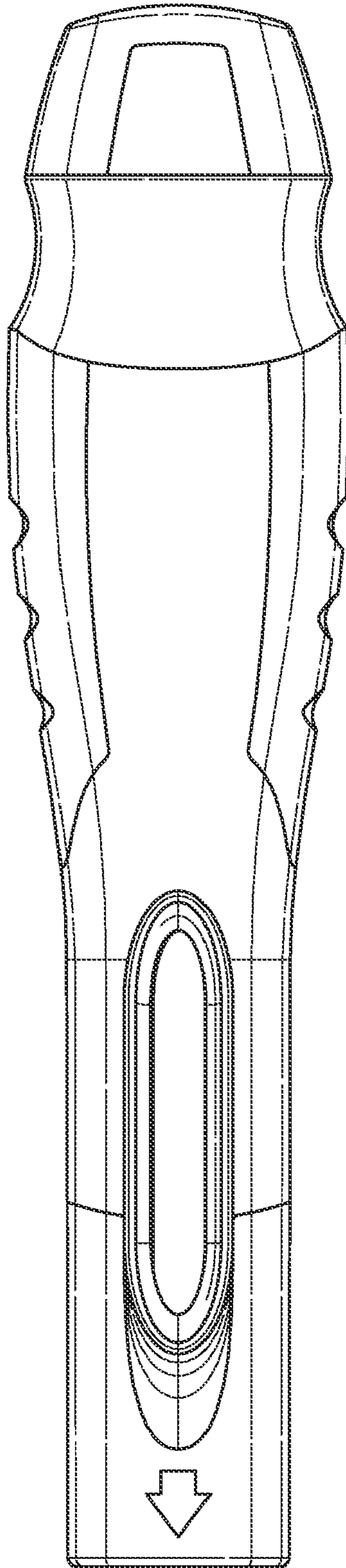


FIG. 3

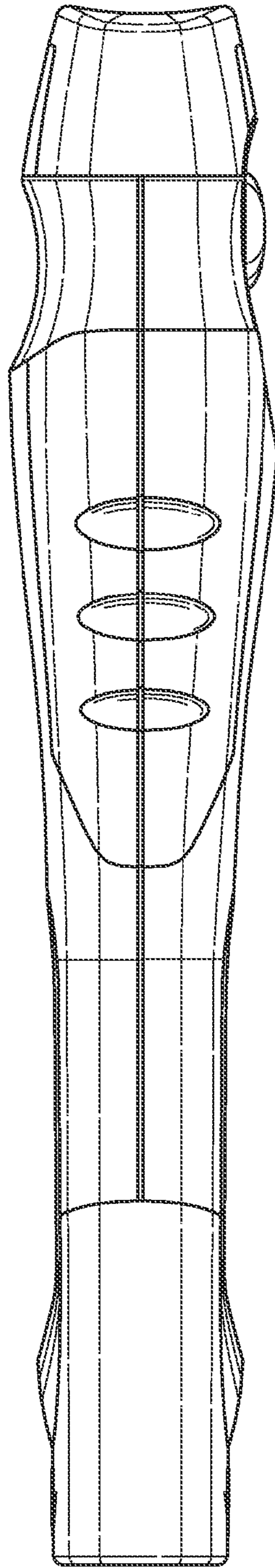


FIG. 4

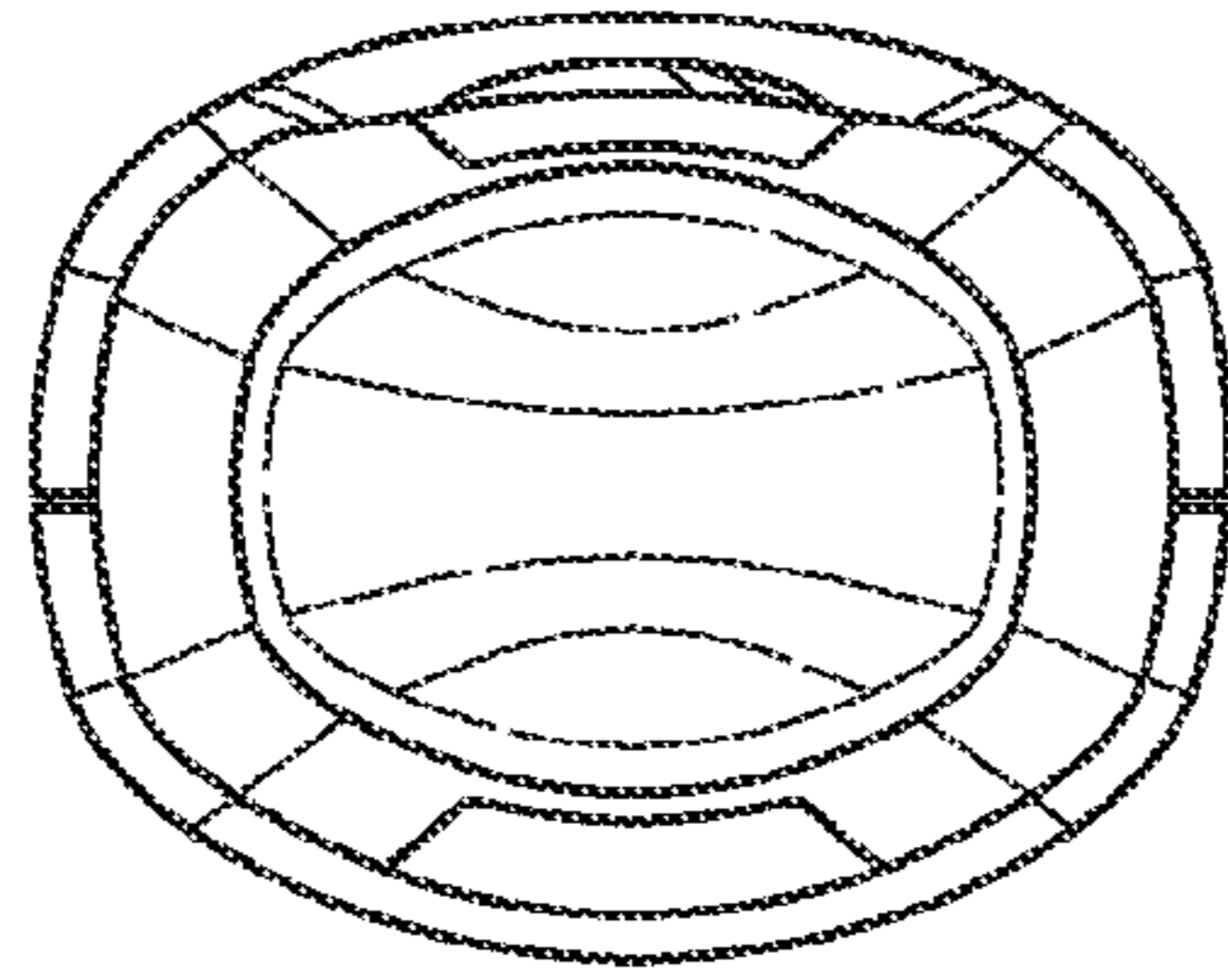


FIG. 5

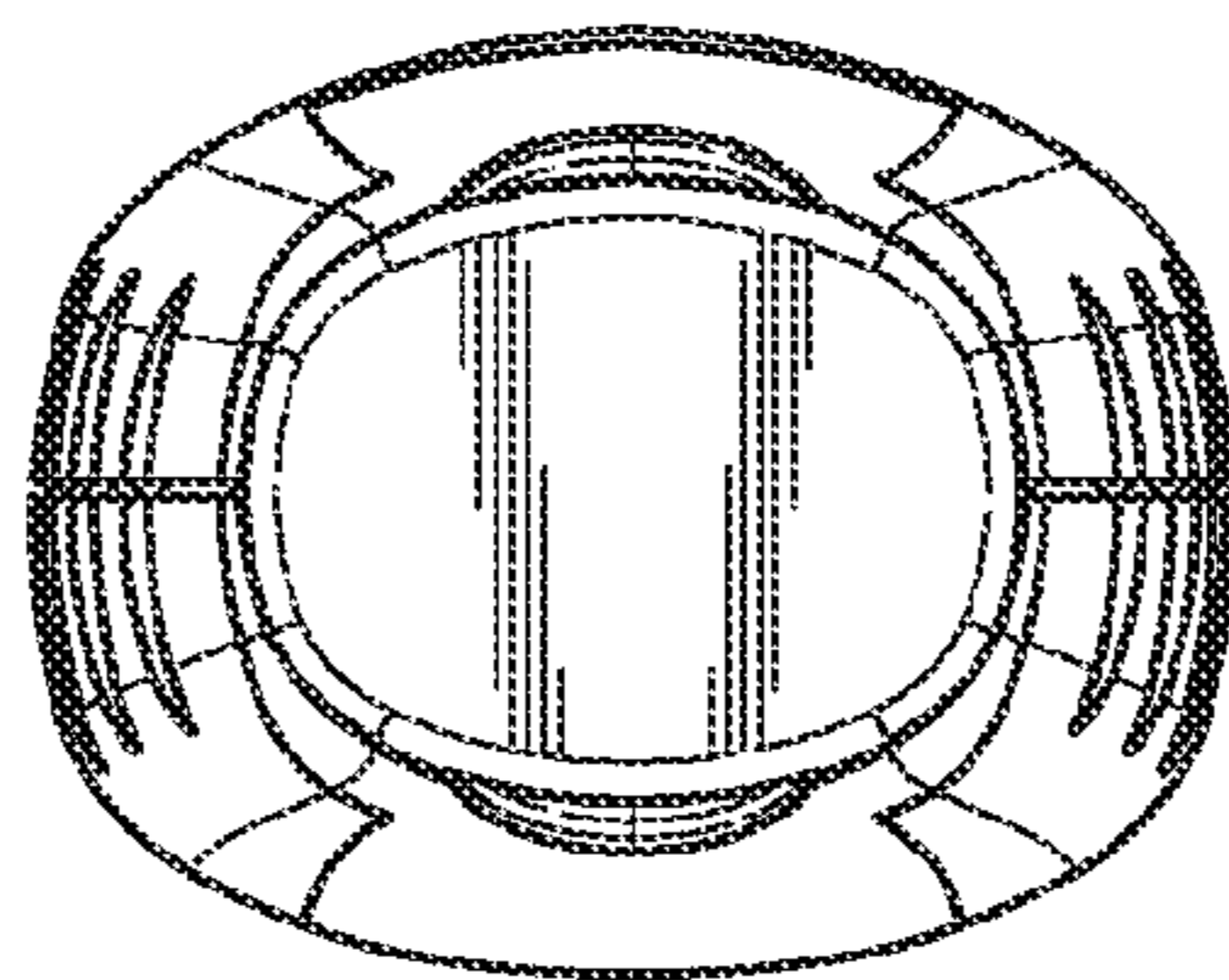


FIG. 6