

US00D677379S

(12) **United States Design Patent**
Orsing

(10) **Patent No.:** **US D677,379 S**

(45) **Date of Patent:** **** Mar. 5, 2013**

(54) **SALIVA ASPIRATOR**

(76) Inventor: **Ernst Orsing, Raa (SE)**

(**) Term: **14 Years**

(21) Appl. No.: **29/292,147**

(22) Filed: **Sep. 28, 2007**

(51) **LOC (9) Cl.** **24-02**

(52) **U.S. Cl.** **D24/112; D24/108**

(58) **Field of Classification Search** D26/111,
D26/112; D24/111, 112, 127, 108; 433/95,
433/96; 604/118

See application file for complete search history.

(56) **References Cited**

U.S. PATENT DOCUMENTS

1,471,207	A *	10/1923	Riddle	433/96
2,529,499	A	11/1950	Jankelson		
2,574,135	A *	11/1951	Ward	433/96
3,344,523	A *	10/1967	Halsey	433/96
3,460,255	A	8/1969	Hutson		
3,541,583	A *	11/1970	Deuschle	433/96
3,777,756	A *	12/1973	Lohr	433/91
D241,984	S *	10/1976	Lahay	D24/127
4,083,115	A *	4/1978	McKelvey	433/96
4,158,916	A *	6/1979	Adler	433/91
4,265,621	A *	5/1981	McVey	433/91
D261,677	S *	11/1981	Neeley	D24/112
5,042,473	A *	8/1991	Lewis	128/205.24
5,265,591	A *	11/1993	Ferguson	128/201.11
5,441,410	A *	8/1995	Segerdal	433/93
5,509,802	A *	4/1996	Whitehouse et al.	433/95

5,743,736	A *	4/1998	Folko et al.	433/96
D438,933	S *	3/2001	Sundholm	D23/213
6,203,321	B1 *	3/2001	Helmer et al.	433/95
D469,847	S *	2/2003	Schroeder et al.	D23/213
6,602,072	B2 *	8/2003	Burney	433/96
D497,667	S *	10/2004	Odell et al.	D24/118
6,821,118	B2 *	11/2004	Schlüssel	433/96
D504,947	S *	5/2005	McAuley et al.	D24/110.5
D528,653	S *	9/2006	Matthew et al.	D24/110
D548,335	S *	8/2007	Orsing	D24/112
2006/0088800	A1 *	4/2006	Neff et al.	433/91
2006/0199147	A1	9/2006	Mahlmann		

FOREIGN PATENT DOCUMENTS

WO	WO 2006/105973	10/2006
WO	WO 2008/113670	9/2008

* cited by examiner

Primary Examiner — Ian Simmons

Assistant Examiner — Carissa C Fitts

(74) *Attorney, Agent, or Firm* — Merchant & Gould P.C.

(57) **CLAIM**

The ornamental design for a saliva aspirator, as shown.

DESCRIPTION

FIG. 1 is a side view of the saliva aspirator from a first side; FIG. 2 is a side view of the saliva aspirator from a second side; FIG. 3 is a perspective view of the top of the saliva aspirator; FIG. 4 is a perspective view of the bottom of the saliva aspirator; FIG. 5 is a top view of the saliva aspirator; and, FIG. 6 is a bottom view of the saliva aspirator.

1 Claim, 2 Drawing Sheets

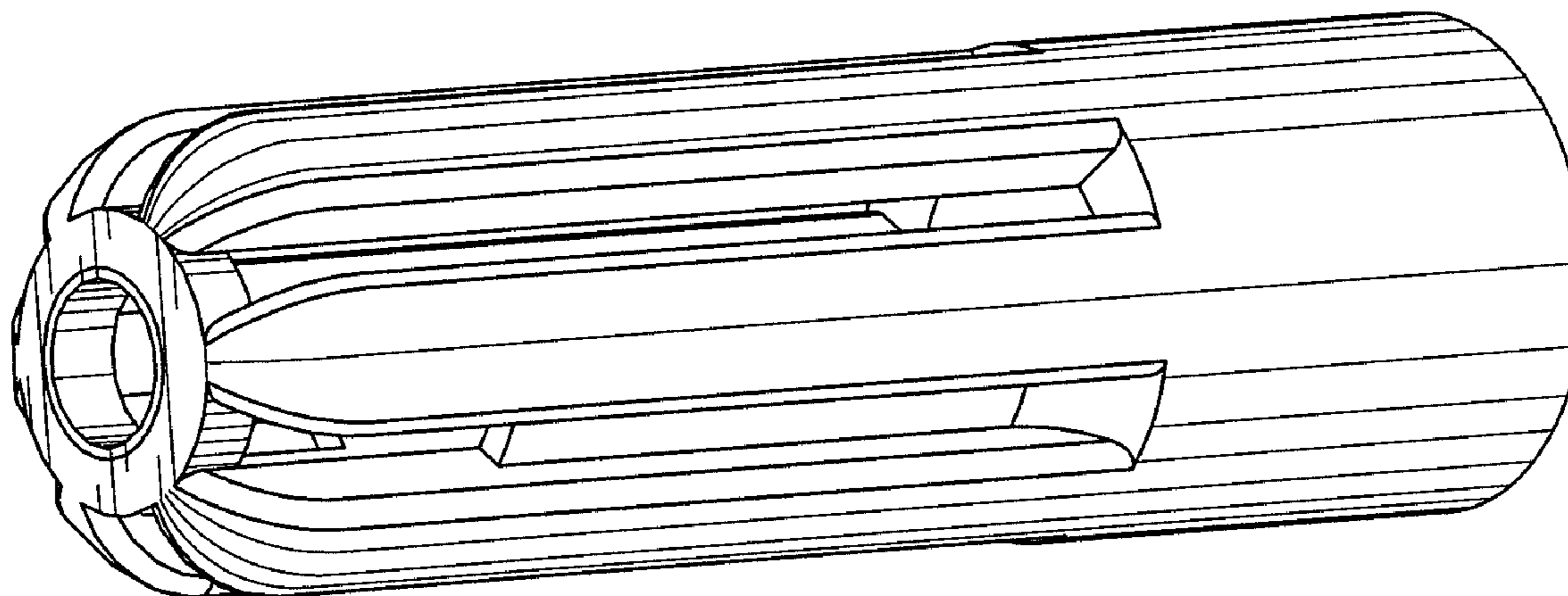


FIG. 1

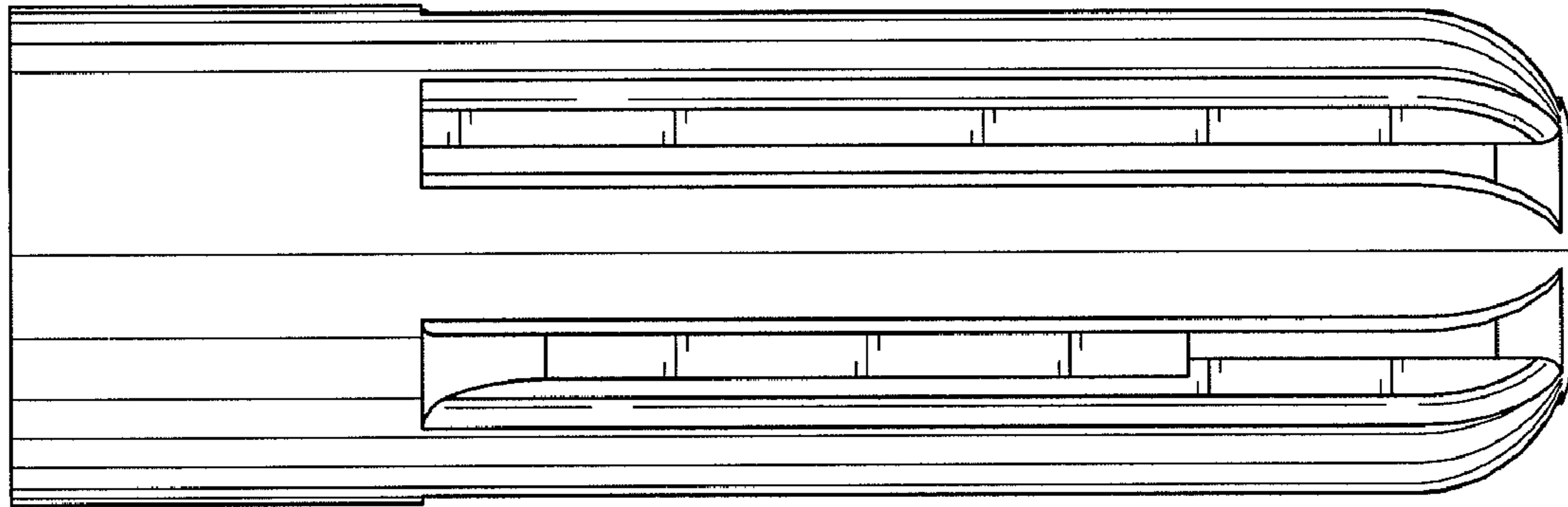


FIG. 2

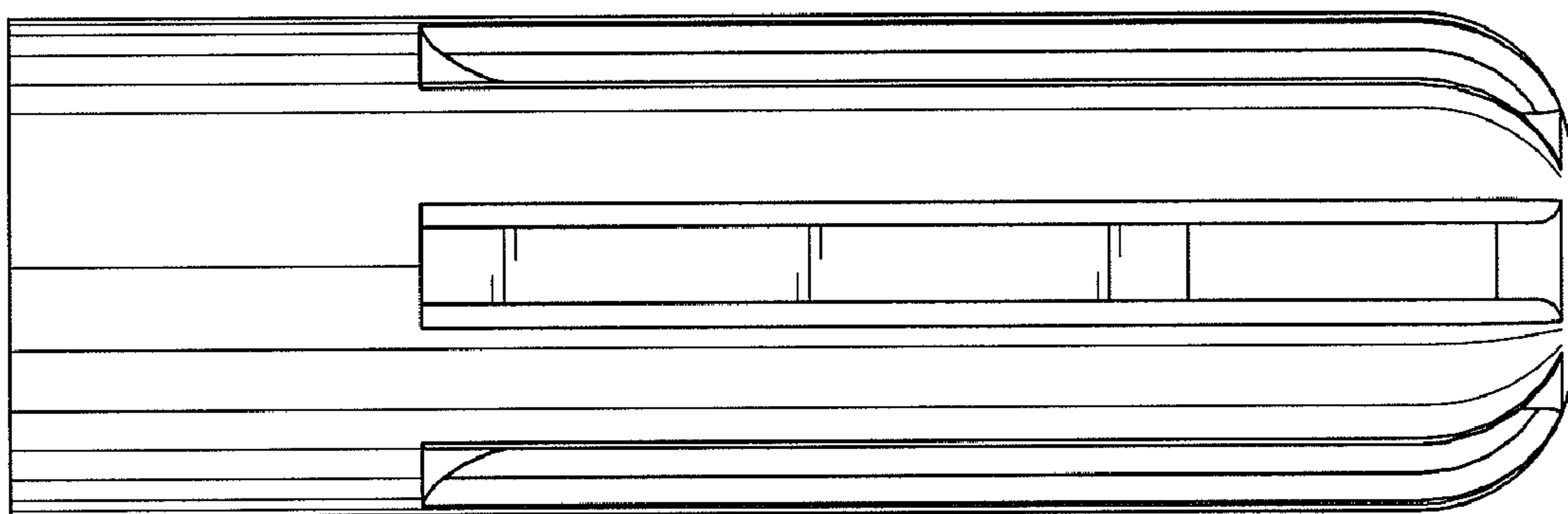


FIG. 3

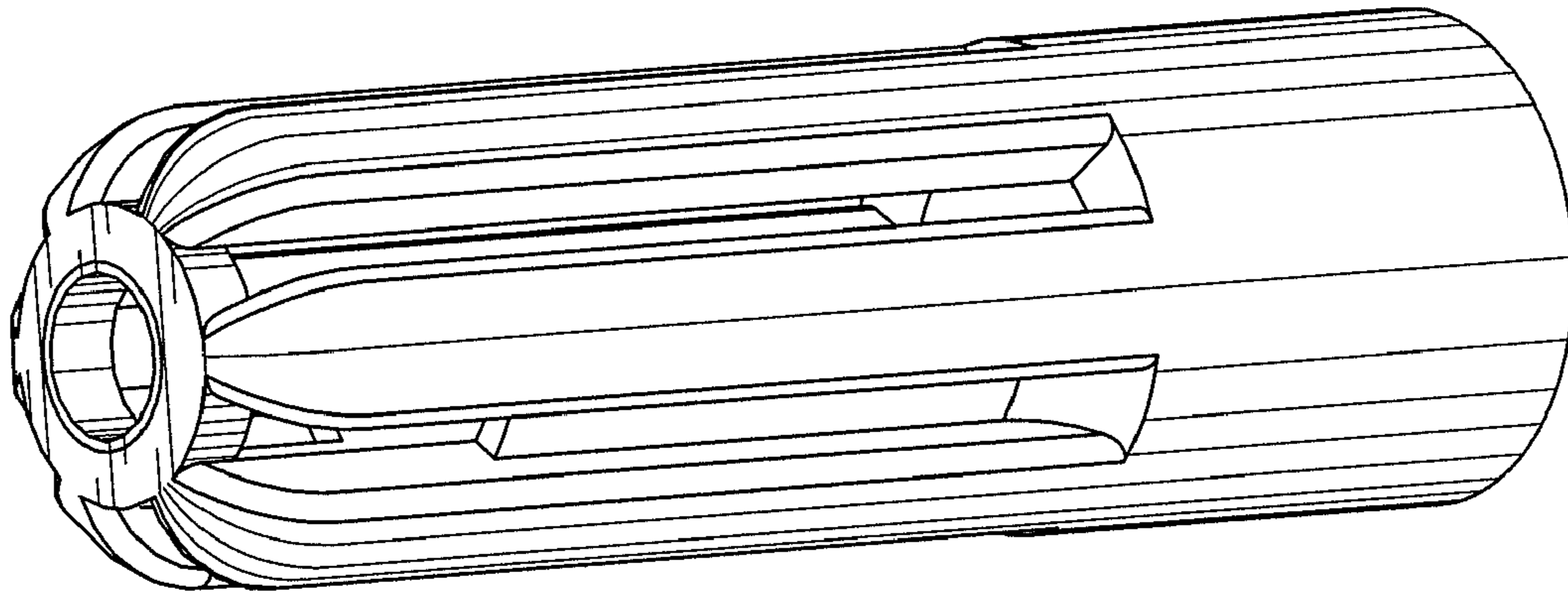


FIG. 4

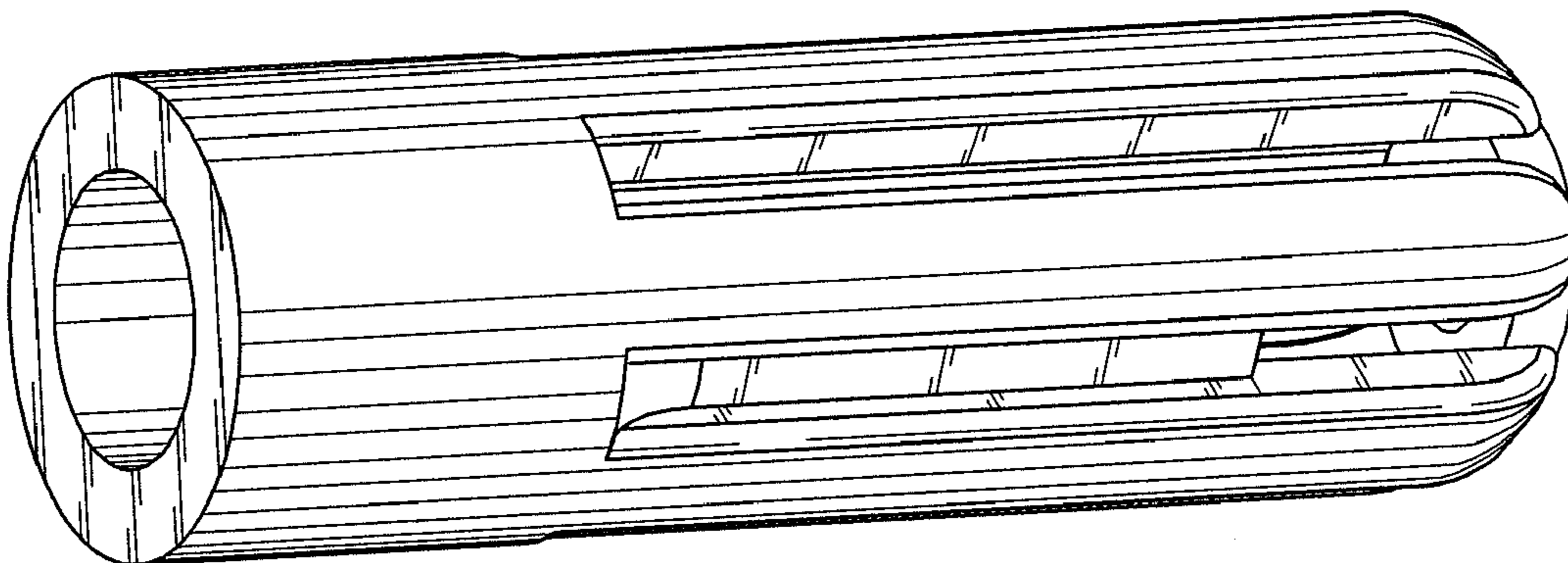


FIG. 5

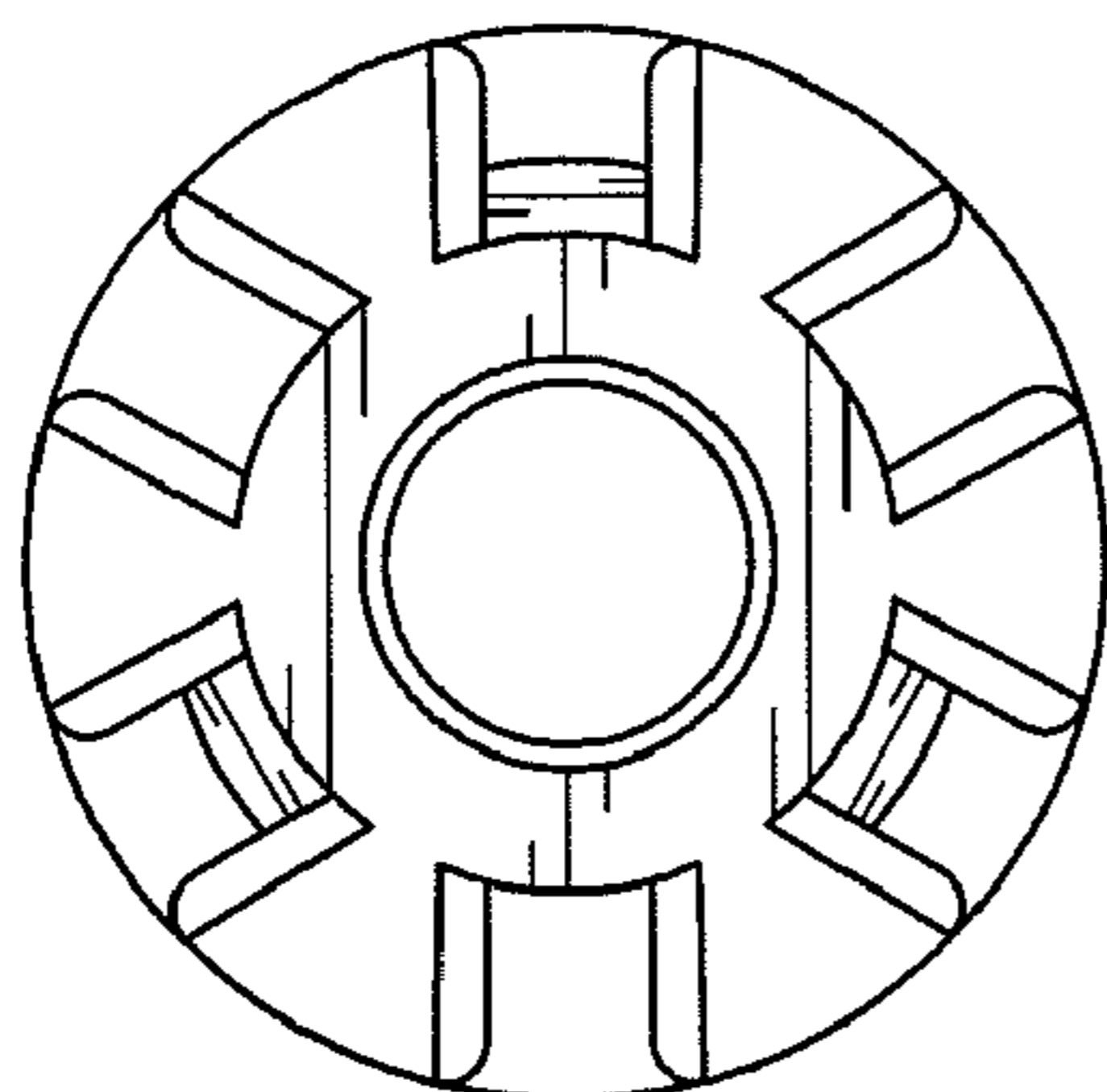


FIG. 6

