



US00D677374S

(12) **United States Design Patent**
Arnold, Jr.

(10) **Patent No.:** **US D677,374 S**
(45) **Date of Patent:** **** Mar. 5, 2013**

(54) **B VENT EXHAUST TERMINATION**

(75) Inventor: **John G. Arnold, Jr.**, Tulsa, OK (US)

(73) Assignee: **European Copper, LLC**, Tulsa, OK (US)

(**) Term: **14 Years**

(21) Appl. No.: **29/402,049**

(22) Filed: **Sep. 20, 2011**

(51) **LOC (9) Cl.** **23-04**

(52) **U.S. Cl.** **D23/373; D23/393**

(58) **Field of Classification Search** D23/314,
D23/355, 370, 371, 373, 374, 385, 387, 391,
D23/393; 52/199, 200, 219, 220.1, 220.8;
114/211; 137/587; 454/4, 12, 21, 33, 35,
454/36, 37, 47, 356, 366, 367

See application file for complete search history.

(56) **References Cited**

U.S. PATENT DOCUMENTS

174,237	A *	2/1876	Heard	454/33
851,289	A *	4/1907	Horvath	454/21
2,803,184	A	8/1957	Wasserman	
2,830,527	A *	4/1958	Breidert et al.	454/356
2,922,354	A *	1/1960	Breidert et al.	454/33
3,049,068	A *	8/1962	Rousey	454/33
3,082,677	A *	3/1963	Pease	454/47
3,103,870	A *	9/1963	Steiner	114/211
D203,139	S *	12/1965	Jenn et al.	D23/373
3,361,051	A	1/1968	Fair et al.	
3,404,619	A *	10/1968	Topp	454/367
3,441,381	A	4/1969	Keith et al.	
3,885,977	A	5/1975	Lachman et al.	
4,147,096	A	4/1979	Caswell	
4,335,648	A *	6/1982	Mitchell	454/33
4,397,225	A	8/1983	Patton	
4,399,743	A	8/1983	Izzi, Sr.	
4,593,504	A	6/1986	Bonnici et al.	
D299,529	S *	1/1989	Best	D23/373
4,889,160	A	12/1989	Sheets	
D386,577	S *	11/1997	Haydock et al.	D23/374
5,749,780	A	5/1998	Harder et al.	
5,816,288	A *	10/1998	Zelch	137/587
6,022,269	A	2/2000	Arbucci	

6,805,627	B2	10/2004	Marts et al.
D503,471	S	3/2005	Huta
6,926,600	B1	8/2005	Arnold, Jr.
6,978,803	B2	12/2005	Brown et al.
D535,010	S	1/2007	Arnold, Jr.
7,179,164	B2	2/2007	Arnold, Jr.
D574,944	S	8/2008	Arnold, Jr.
2002/0104528	A1	8/2002	Staller

FOREIGN PATENT DOCUMENTS

DE	2057449	6/1972
DE	2220023	11/1973
DE	8405331	5/1984
DE	4209225	9/1993
EP	0322570	7/1989
FR	1340447	10/1963
JP	60155822	8/1985
WO	2006110505	10/2006

* cited by examiner

Primary Examiner — Janice Seeger

Assistant Examiner — Martie K Holtje

(74) *Attorney, Agent, or Firm* — Head, Johnson & Kachigian PC

(57) **CLAIM**

The ornamental design for a B vent exhaust termination, as shown and described.

DESCRIPTION

FIG. 1 is an upper perspective view of a B vent exhaust termination showing my new design;

FIG. 2 is a lower perspective view of the B vent exhaust termination shown in FIG. 1;

FIG. 3 is a front view of the B vent exhaust termination shown in FIG. 1;

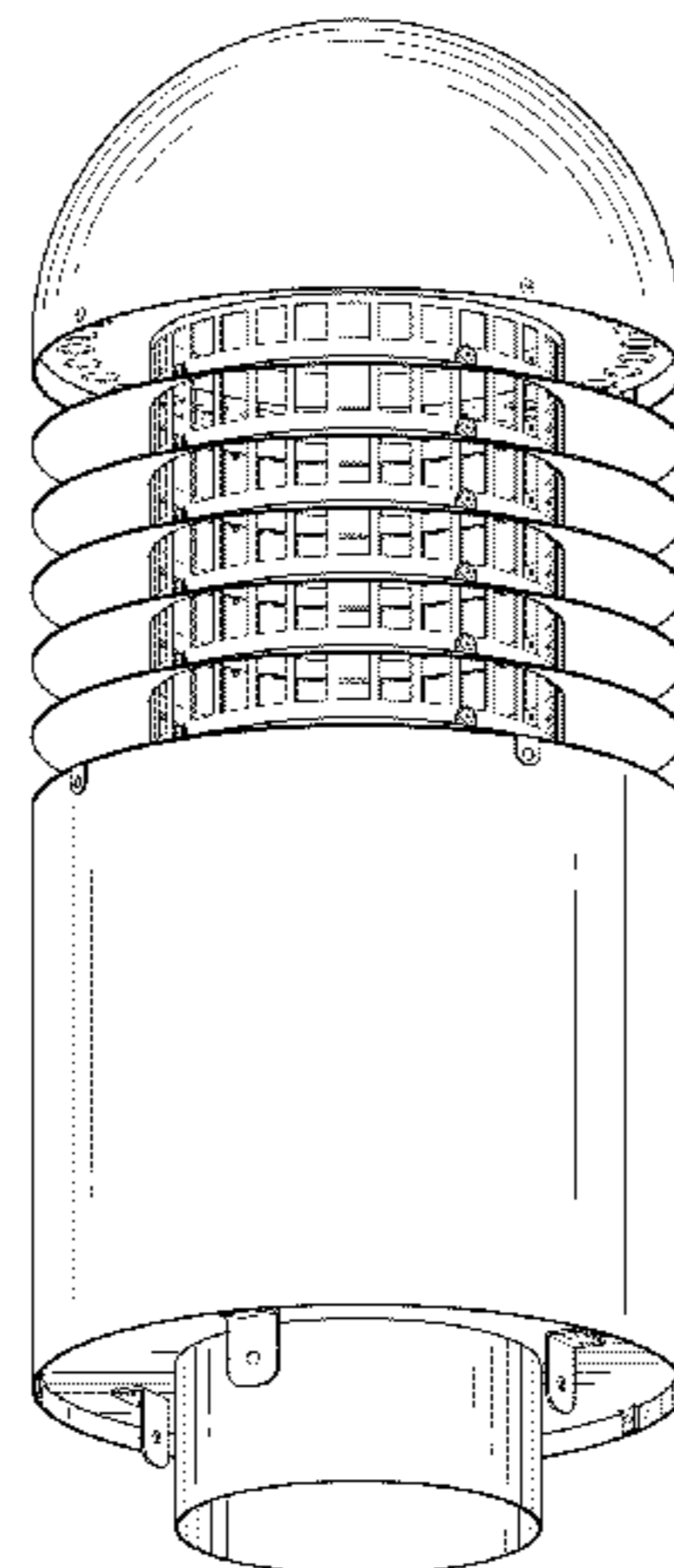
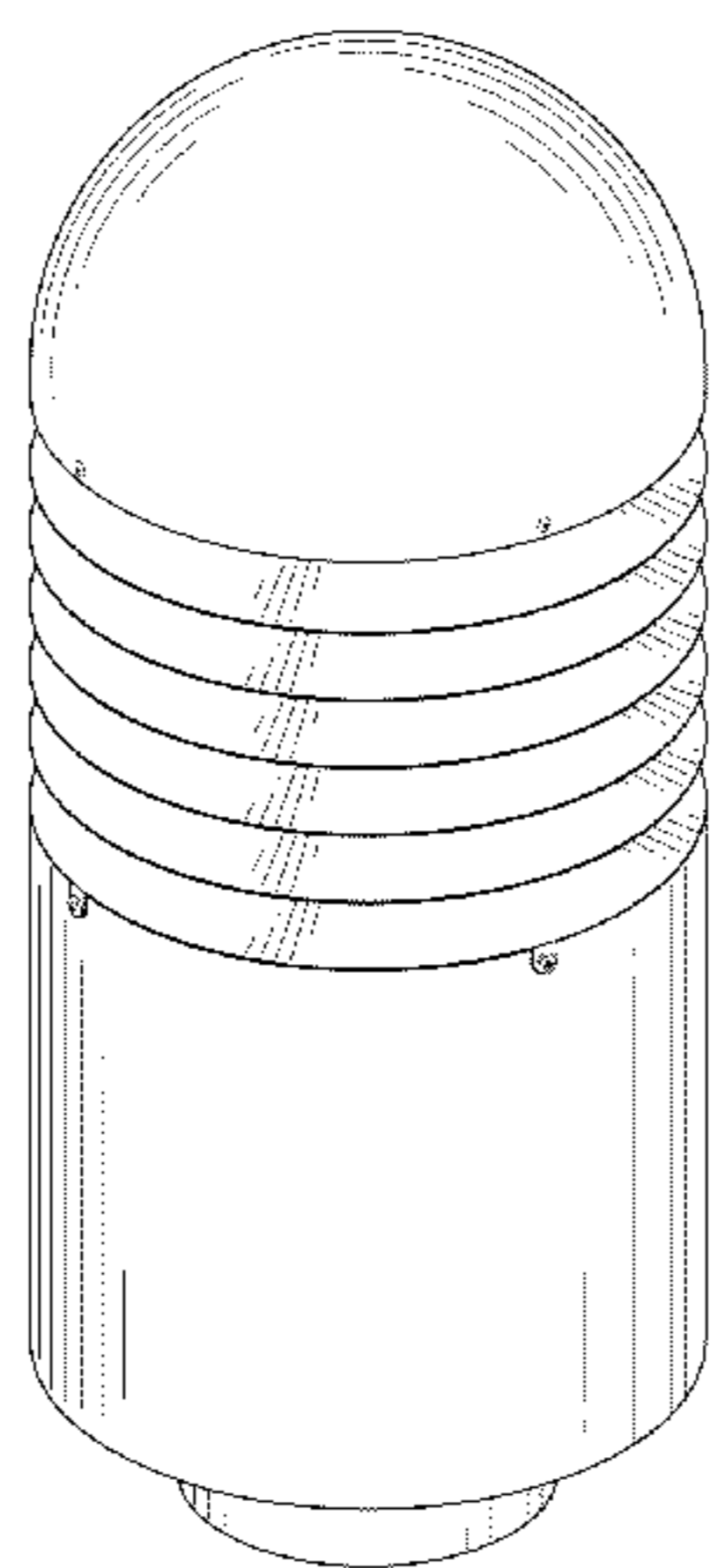
FIG. 4 is a top view of the B vent exhaust termination shown in FIG. 1; and,

FIG. 5 is a bottom view of the B vent exhaust termination shown in FIG. 1.

The rear view, left side view and right side view are the same as shown in FIG. 3.

The structural elements depicted by broken lines in FIG. 5 have been included for the purpose of illustrating portions of the B vent exhaust termination which form no part of the claimed design.

1 Claim, 3 Drawing Sheets



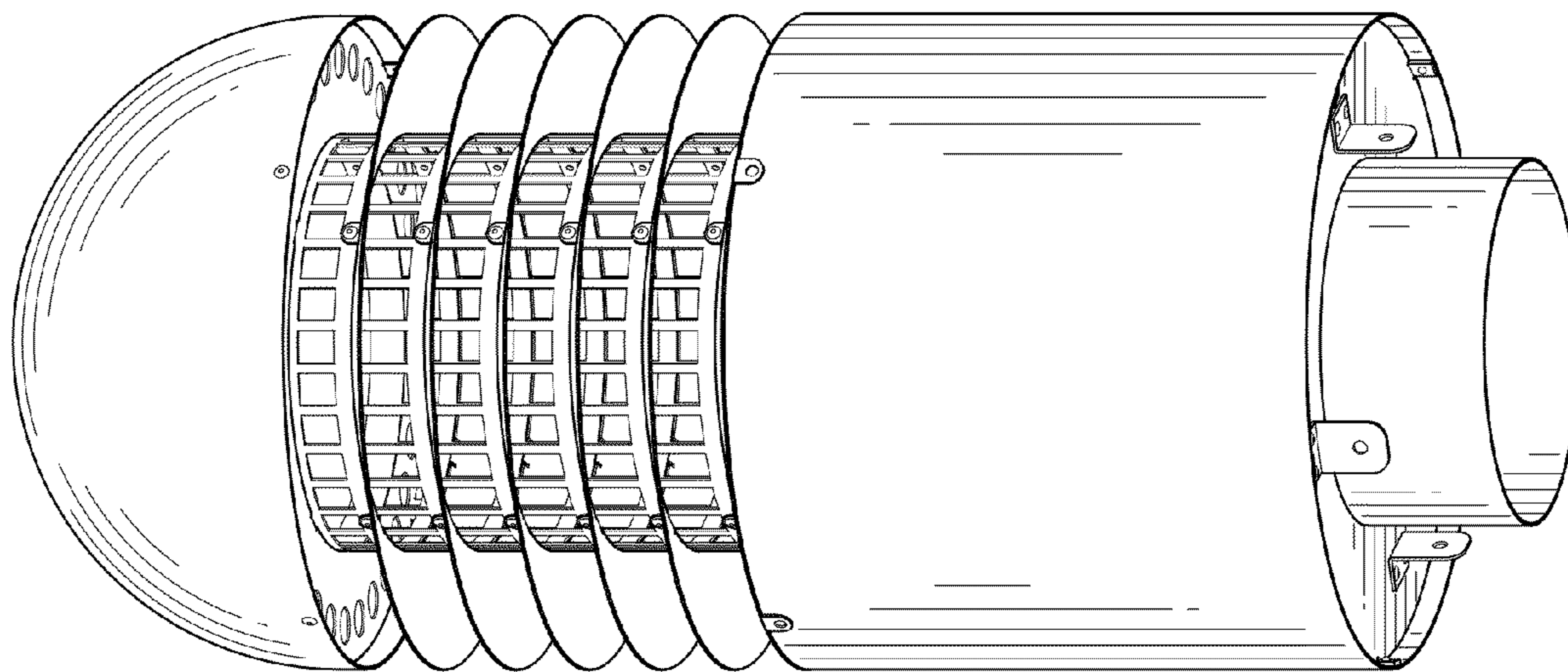


FIG. 2

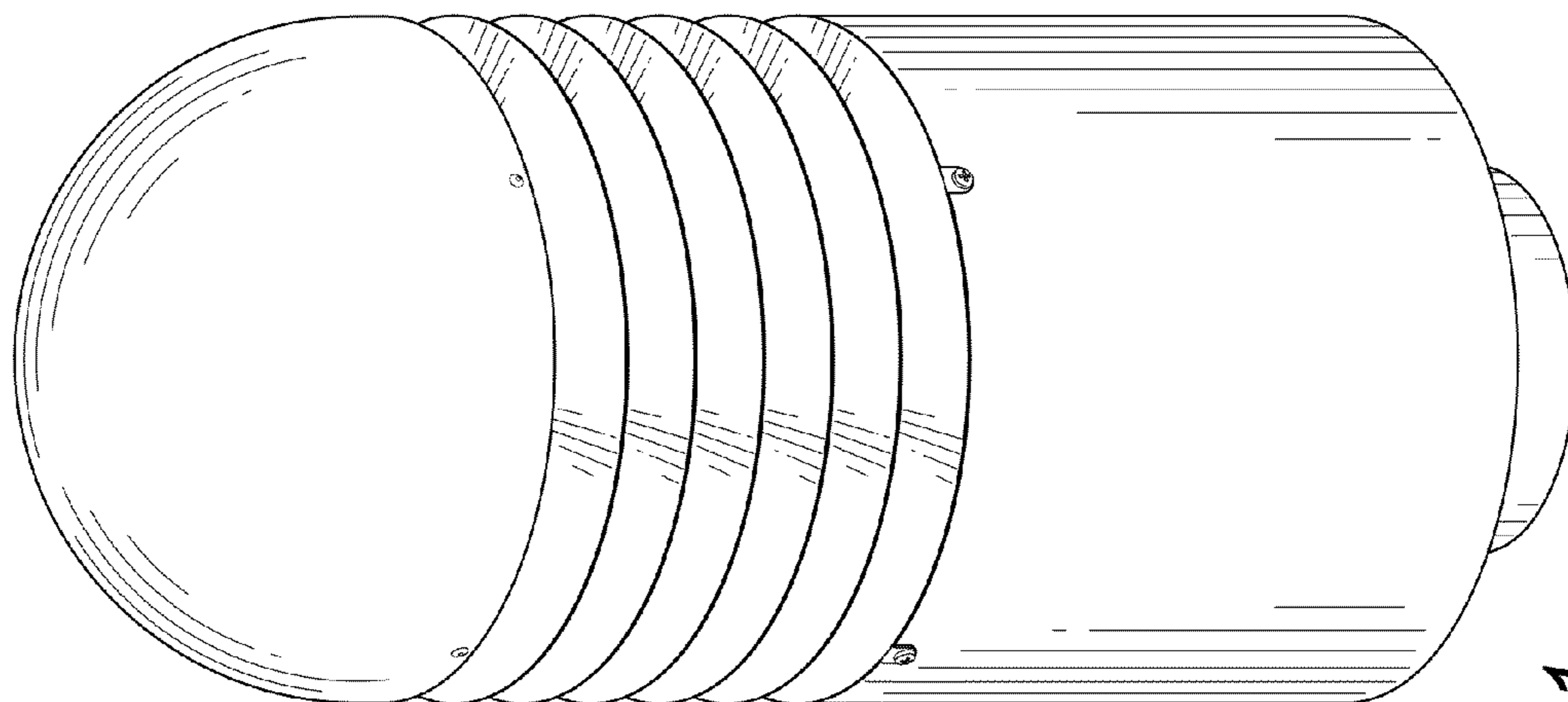


FIG. 1

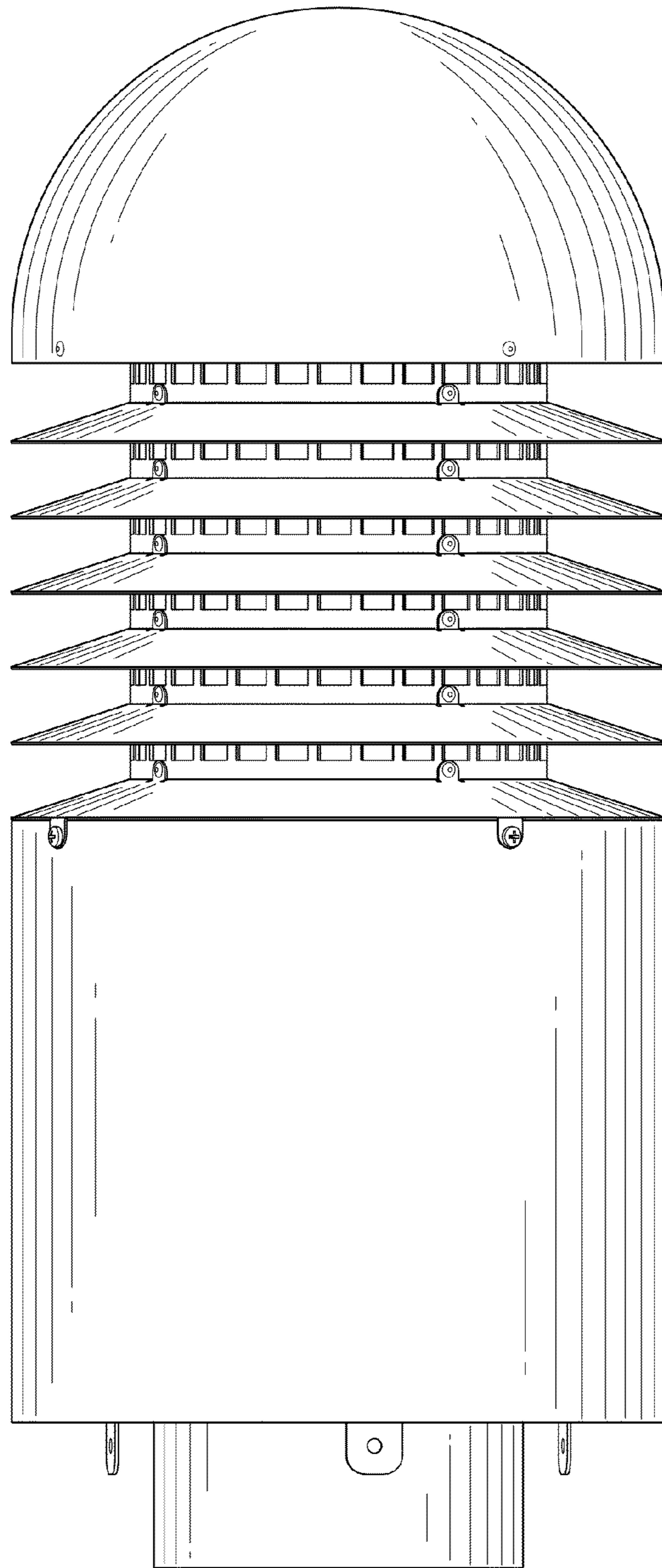


FIG. 3

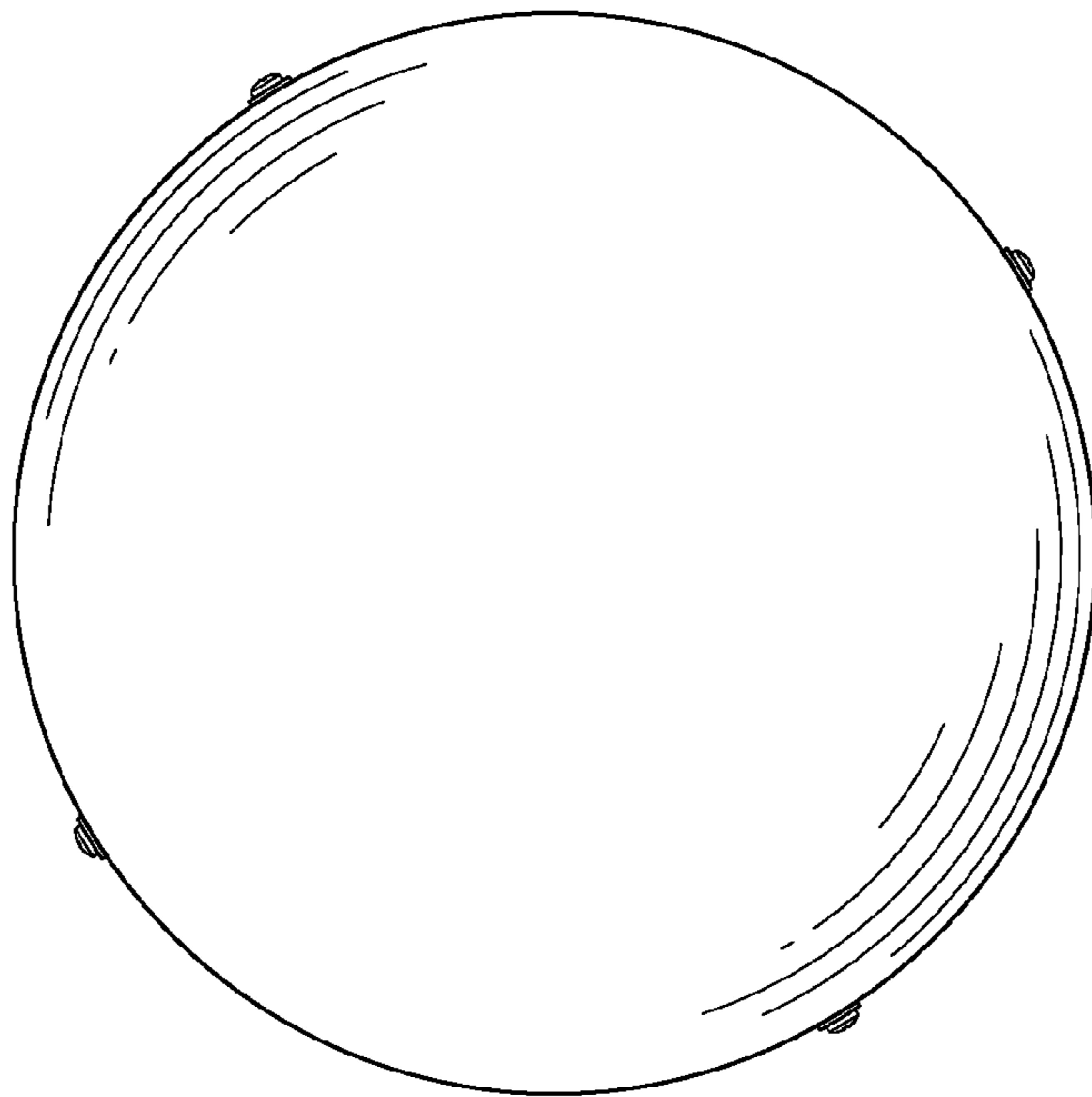


FIG. 4

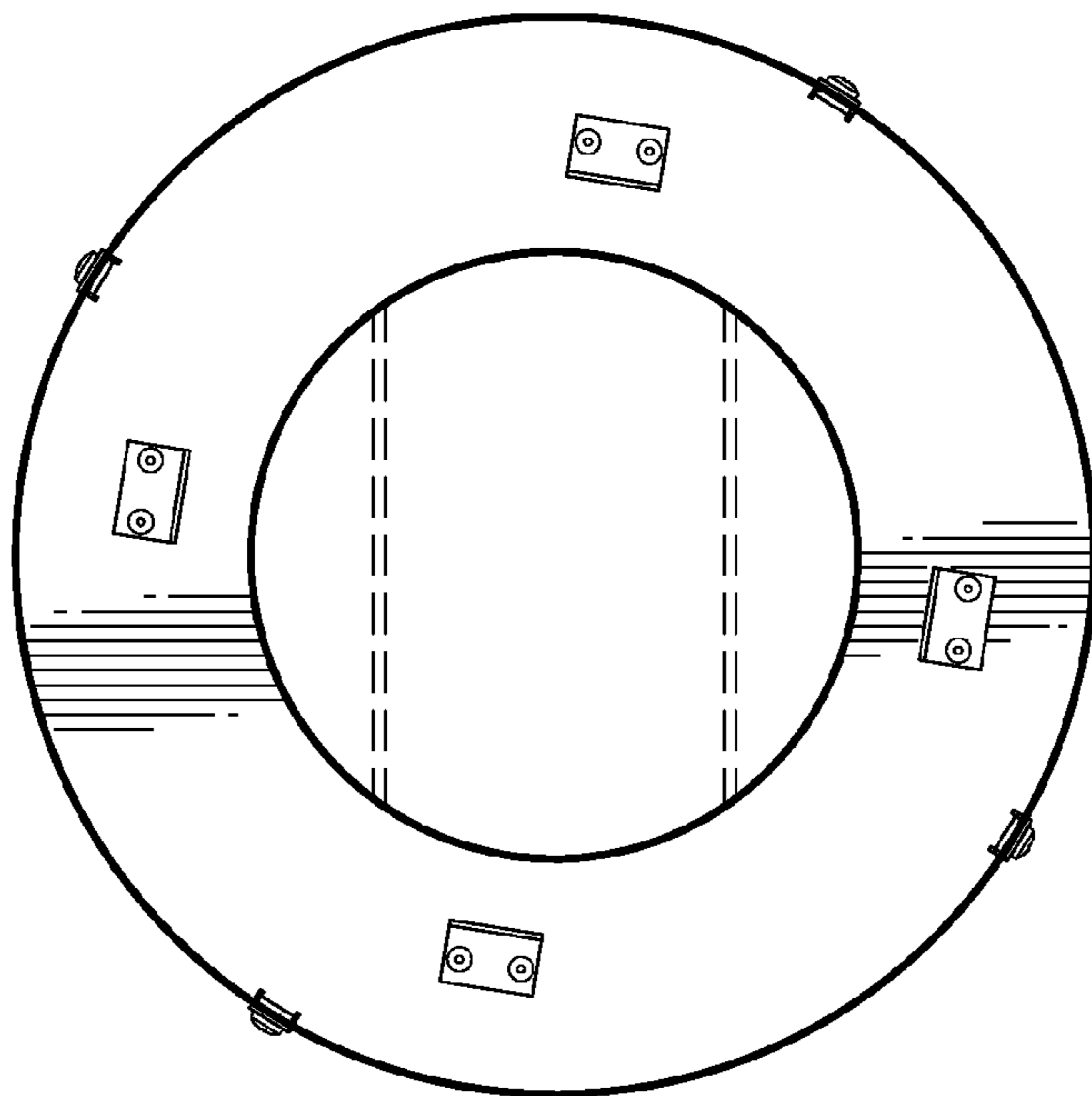


FIG. 5