



US00D677371S

(12) **United States Design Patent**  
**Browder**

(10) **Patent No.:** **US D677,371 S**  
(45) **Date of Patent:** **\*\* Mar. 5, 2013**

(54) **COVER FOR LIGHT AND/OR FRAGRANCE  
EMITTER**

(75) Inventor: **John Browder**, Argyle, TX (US)

(73) Assignee: **IDC Enchanted Lighting Company,  
LLC**, Roanoke, TX (US)

(\*\*) Term: **14 Years**

(21) Appl. No.: **29/413,457**

(22) Filed: **Feb. 15, 2012**

(51) **LOC (9) Cl.** ..... **28-99**

(52) **U.S. Cl.** ..... **D23/367**

(58) **Field of Classification Search** ..... D23/355-369;  
D28/5, 6; 261/DIG. 17, DIG. 42, DIG. 65,  
261/DIG. 88, DIG. 89; 392/386, 390, 394,  
392/395; 239/34, 44, 53, 55, 56, 326; D26/14,  
D26/17, 98

See application file for complete search history.

(56) **References Cited**

**U.S. PATENT DOCUMENTS**

D195,009 S *	4/1963	Bergeron	.....	D9/448
D336,332 S *	6/1993	Woolley	.....	D23/367
D489,147 S *	4/2004	Sehl	.....	D26/98
D541,922 S *	5/2007	Wefler et al.	.....	D23/366
D542,400 S *	5/2007	Wefler	.....	D23/366
D546,931 S *	7/2007	Wefler	.....	D23/366
D590,094 S *	4/2009	Toomey	.....	D26/98

D590,095 S *	4/2009	Toomey	.....	D26/98
7,643,734 B2 *	1/2010	Wefler	.....	392/395
7,687,744 B2 *	3/2010	Walter et al.	.....	219/505
7,932,482 B2 *	4/2011	Norwood et al.	.....	219/506
D636,987 S *	5/2011	van der Lande	.....	D3/211
D661,791 S *	6/2012	Browder	.....	D23/367
D663,408 S *	7/2012	Browder	.....	D23/367
D663,475 S *	7/2012	Browder	.....	D26/125
D663,821 S *	7/2012	Browder	.....	D23/366
2005/0195598 A1 *	9/2005	Dancs et al.	.....	362/231

\* cited by examiner

*Primary Examiner* — Sandra Snapp

(74) *Attorney, Agent, or Firm* — Brian Harris

(57) **CLAIM**

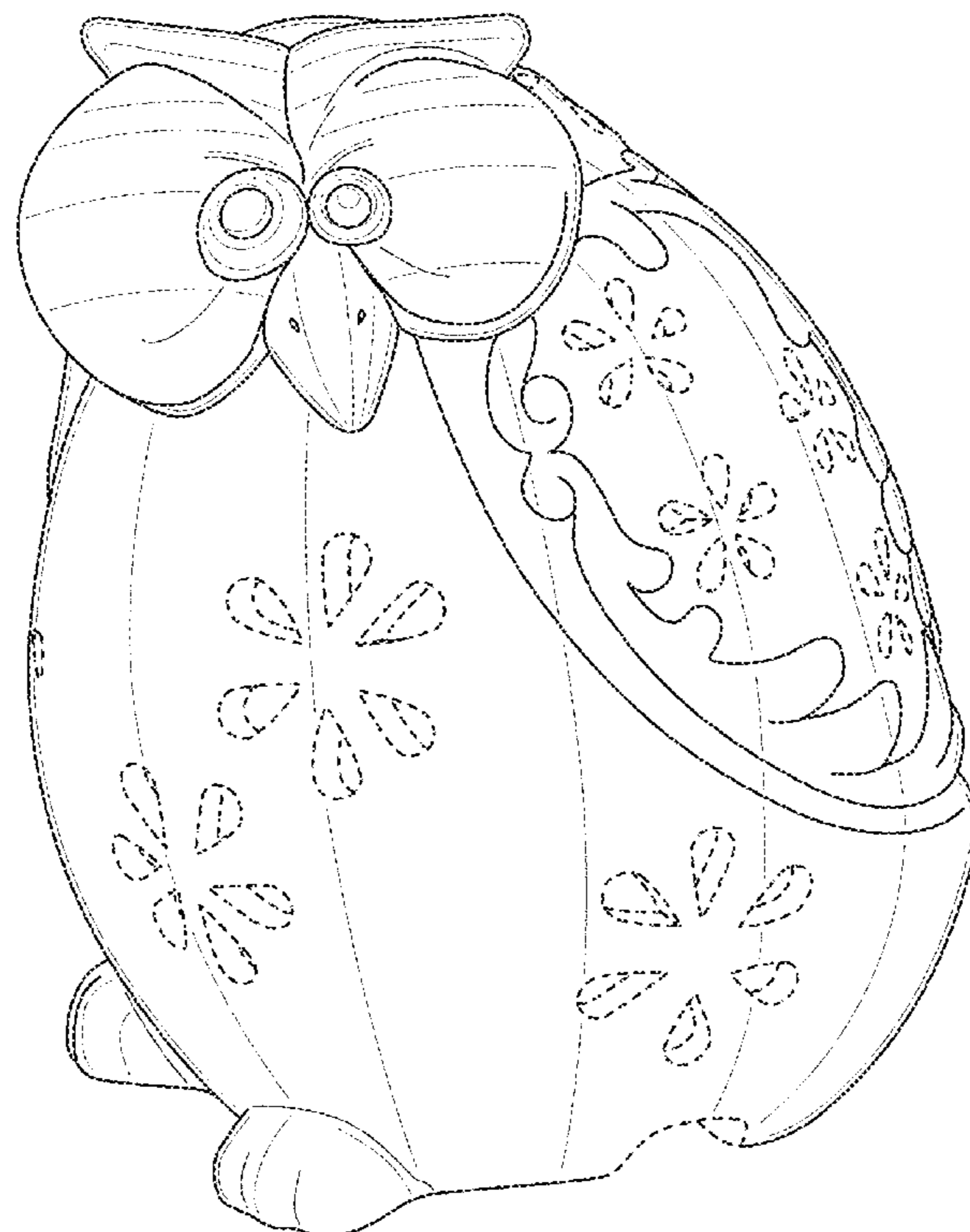
The ornamental design for a cover for light and/or fragrance emitter, as shown and described.

**DESCRIPTION**

FIG. 1 is a perspective view of a cover for light and/or fragrance emitter showing my new design;  
FIG. 2 is a front view thereof;  
FIG. 3 is a back view thereof;  
FIG. 4 is a right side view thereof;  
FIG. 5 is a left side view thereof;  
FIG. 6 is a top view thereof; and,  
FIG. 7 is a bottom view thereof.

The broken lines form no part of the claimed design.

**1 Claim, 7 Drawing Sheets**



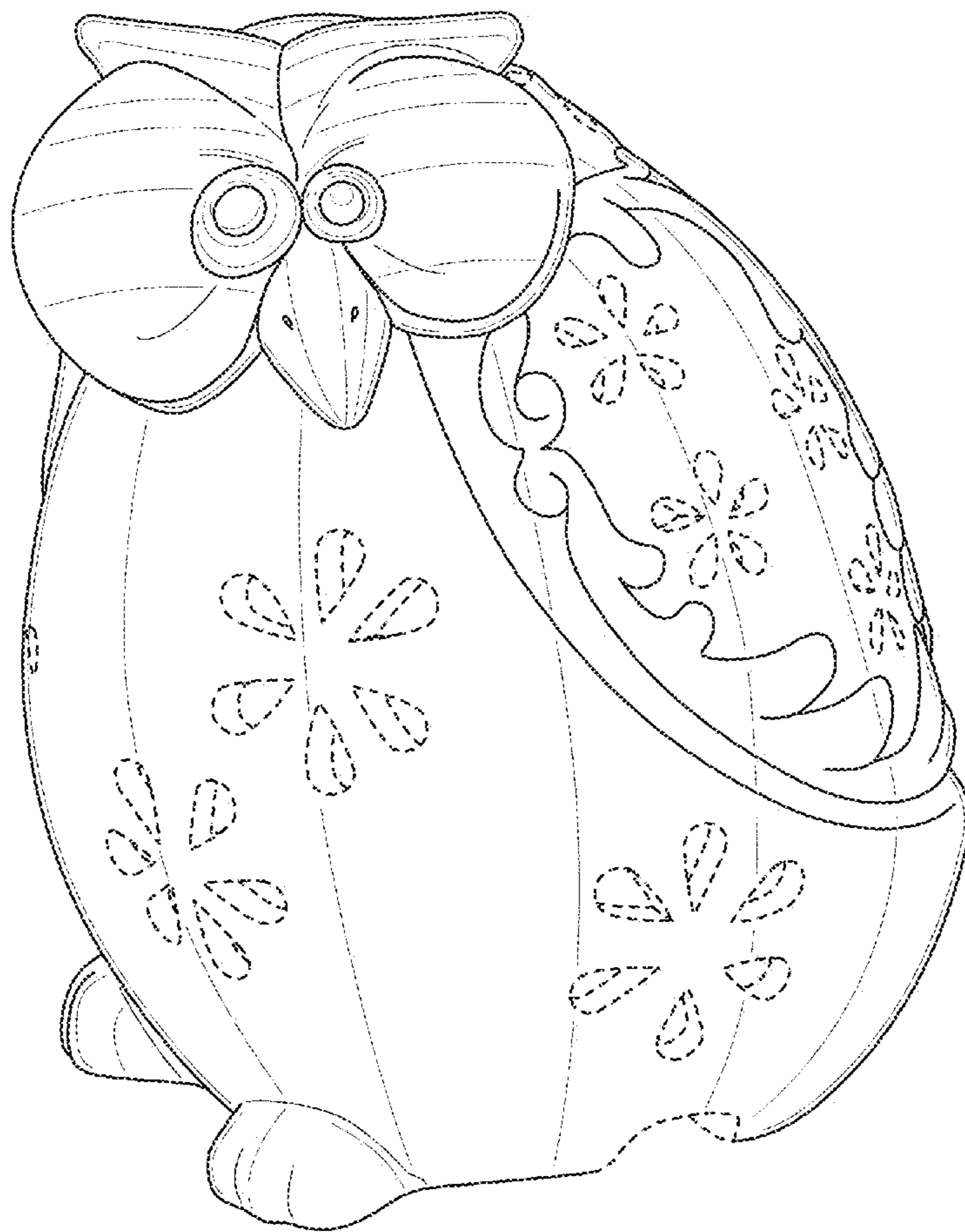


FIG. 1



FIG. 2



FIG. 3

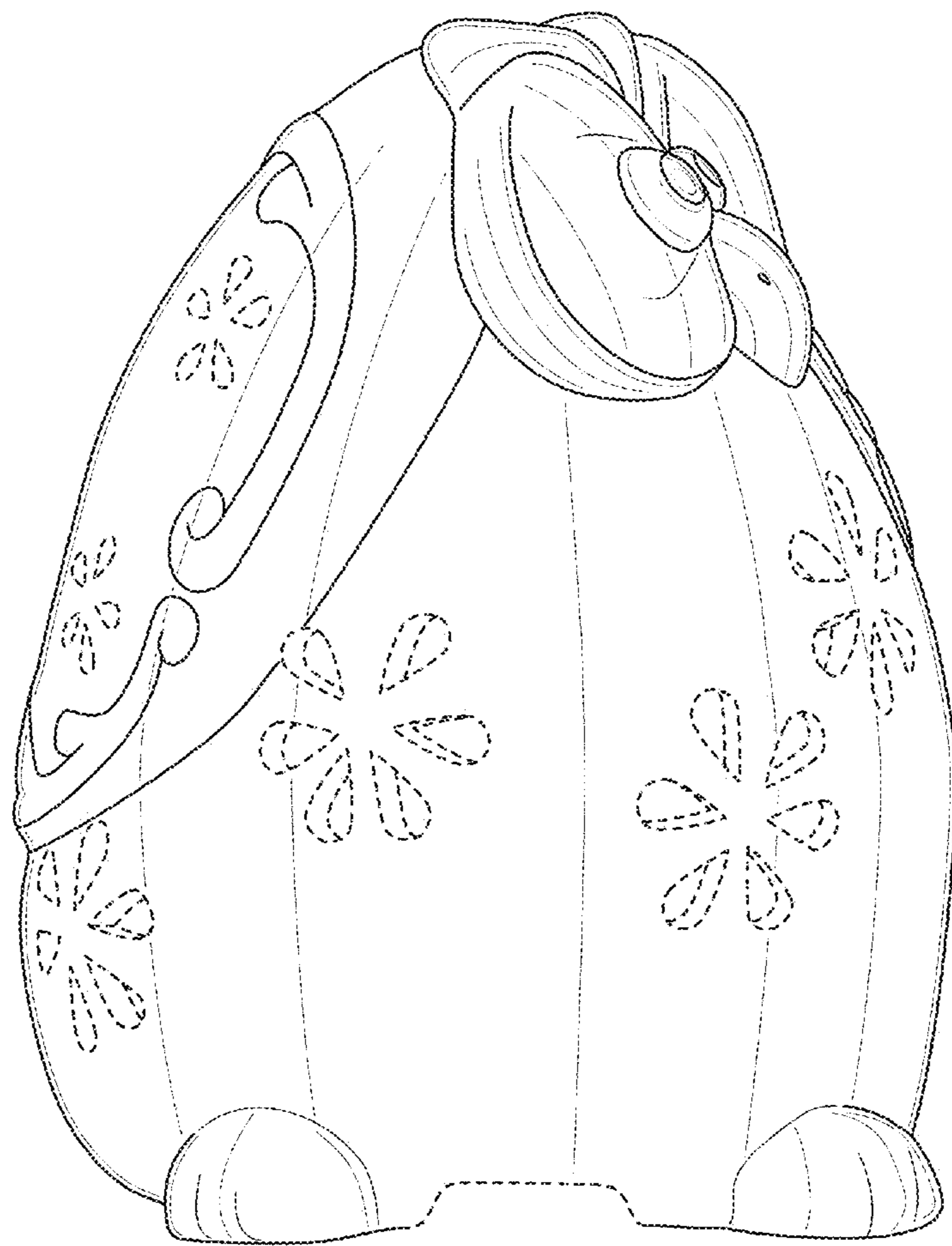


FIG. 4



FIG. 5



FIG. 6

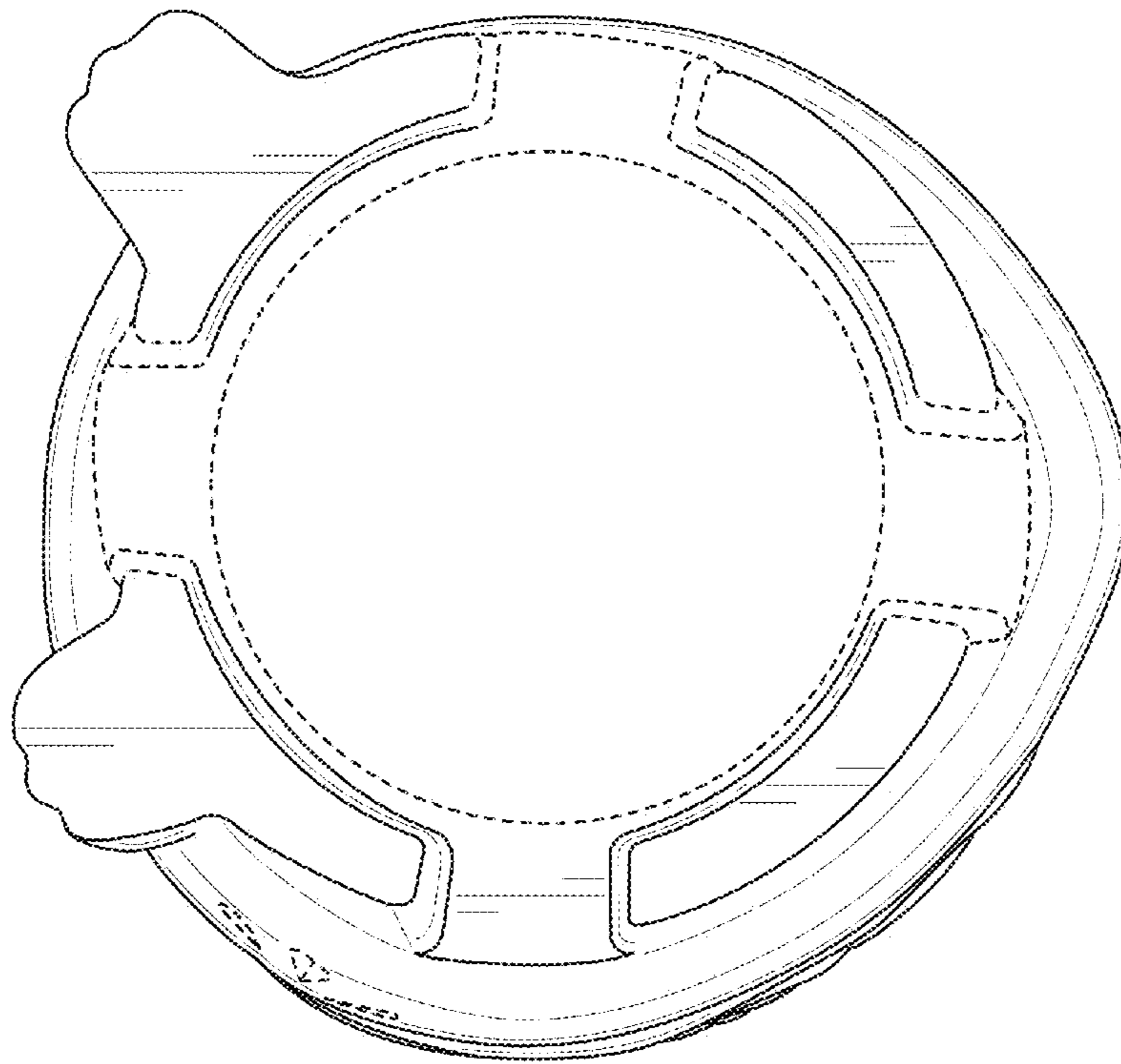


FIG. 7