



US00D677369S

(12) **United States Design Patent**  
**Tindall**

(10) **Patent No.:** **US D677,369 S**

(45) **Date of Patent:** **\*\* Mar. 5, 2013**

(54) **SLOPED WATER HEATER PAN**

(76) Inventor: **Travis J. Tindall**, Mims, FL (US)

(\*\*) Term: **14 Years**

(21) Appl. No.: **29/410,176**

(22) Filed: **Jan. 5, 2012**

(51) **LOC (9) Cl.** ..... **23-03**

(52) **U.S. Cl.** ..... **D23/322**

(58) **Field of Classification Search** ..... D23/314,  
D23/332, 335-350, 378, 370, 381, 354, 351,  
D23/386, 333, 328, 353, 361, 385, 417, 357,  
D23/334, 355, 359, 362, 366, 320, 319, 318,  
D23/322; 392/365, 367, 424, 383, 411, 360,  
392/369, 373-376; 126/183, 110 B, 91 A,  
126/92 A, 500, 544, 547; 122/19.1; 248/146;  
137/312

See application file for complete search history.

(56) **References Cited**

U.S. PATENT DOCUMENTS

3,519,233	A	7/1970	Logsdon	
4,413,592	A	11/1983	Jones	
D284,543	S	7/1986	Huls	
4,765,360	A *	8/1988	Baird	137/312
4,944,253	A	7/1990	Bellofatto	
5,645,103	A	7/1997	Whittaker	
5,881,762	A *	3/1999	Janesky	137/312
6,079,587	A *	6/2000	Vogt	220/571

6,116,266	A *	9/2000	Dickison et al.	137/312
6,216,990	B1 *	4/2001	Harrison	248/146
6,718,993	B1	4/2004	DeMartini	
7,421,784	B2 *	9/2008	Akkala et al.	29/890.03
D582,023	S *	12/2008	Sheppard et al.	D23/322
7,726,620	B1 *	6/2010	Kleespie	248/346.01
2005/0098214	A1 *	5/2005	McKesson	137/312
2012/0067301	A1 *	3/2012	Braathen	122/19.1

\* cited by examiner

*Primary Examiner* — T. Chase Nelson

*Assistant Examiner* — Ania Aman

(57) **CLAIM**

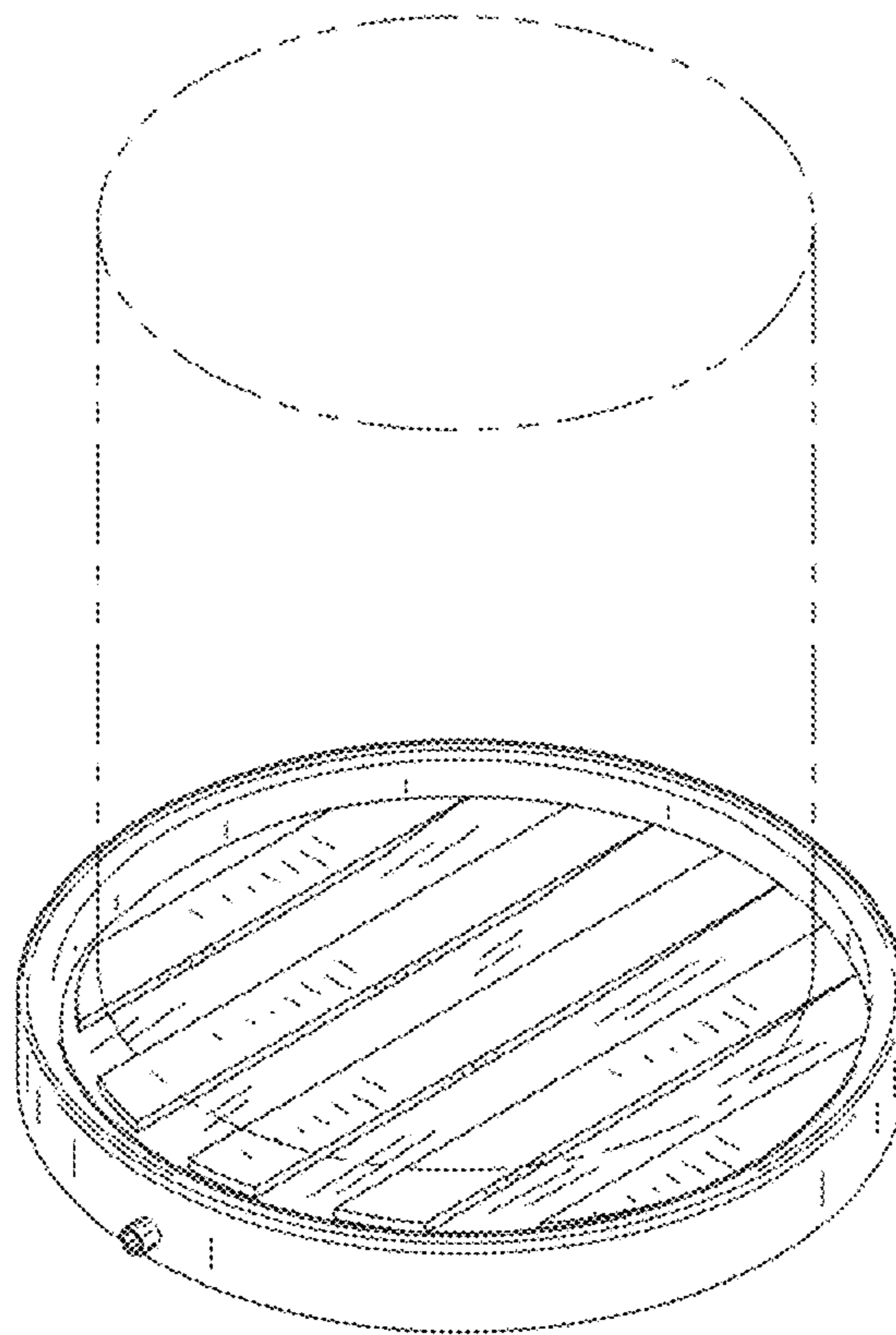
The ornamental design for a sloped water heater pan, as shown and described.

**DESCRIPTION**

FIG. 1 is a top perspective view of a sloped water heater pan showing my new design;  
FIG. 2 is a bottom perspective view thereof;  
FIG. 3 is a top view thereof;  
FIG. 4 is a bottom view thereof;  
FIG. 5 is a front view thereof;  
FIG. 6 is a back view thereof; and,  
FIG. 7 is a side view (opposite side view is mirror image) thereof.

In FIG. 1, the broken lines showing of environmental structure for purposes of illustrating the sloped water heater pan in a condition of use. The broken lines and the structure they depict form no part of the claimed design.

**1 Claim, 4 Drawing Sheets**



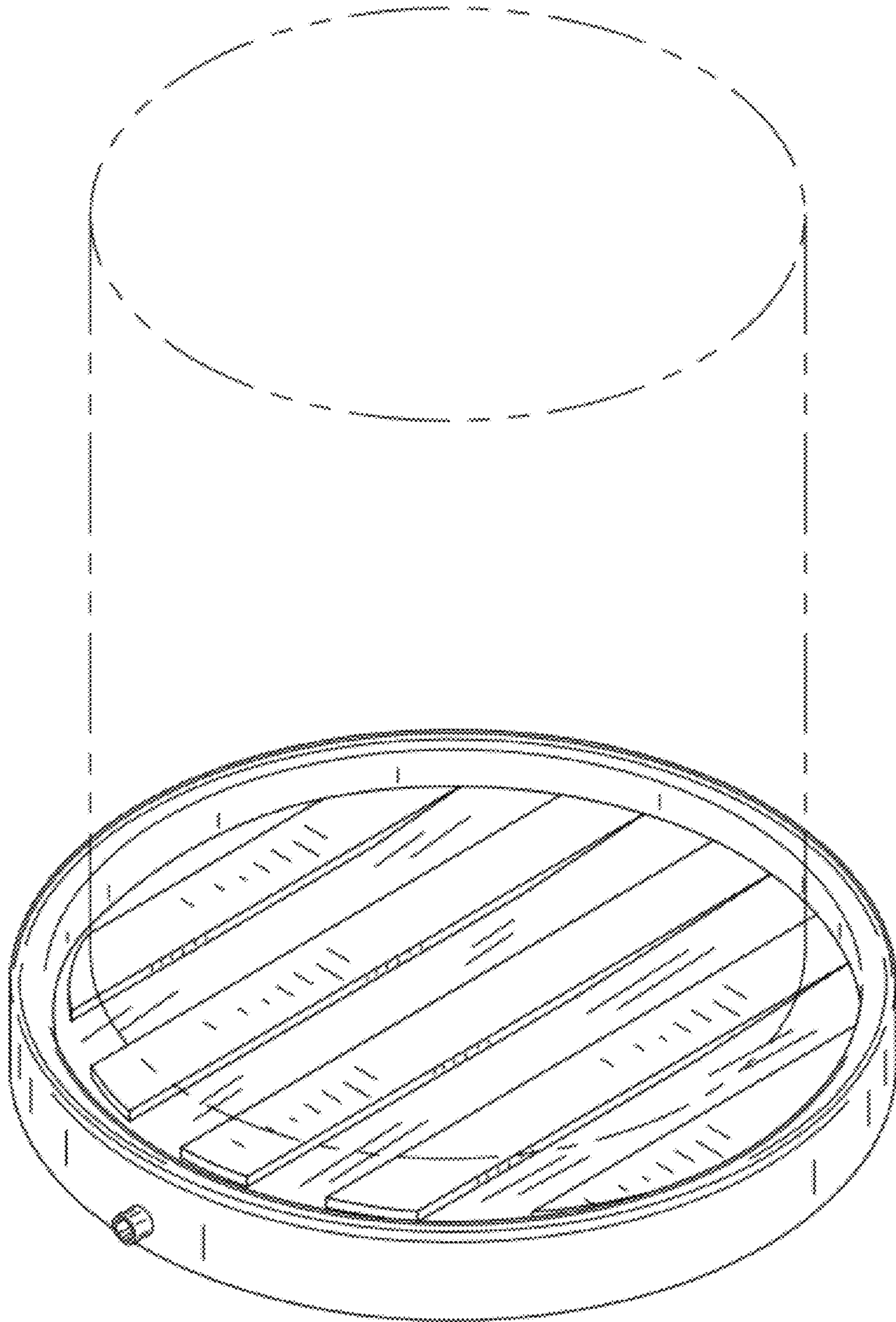


FIG. 1

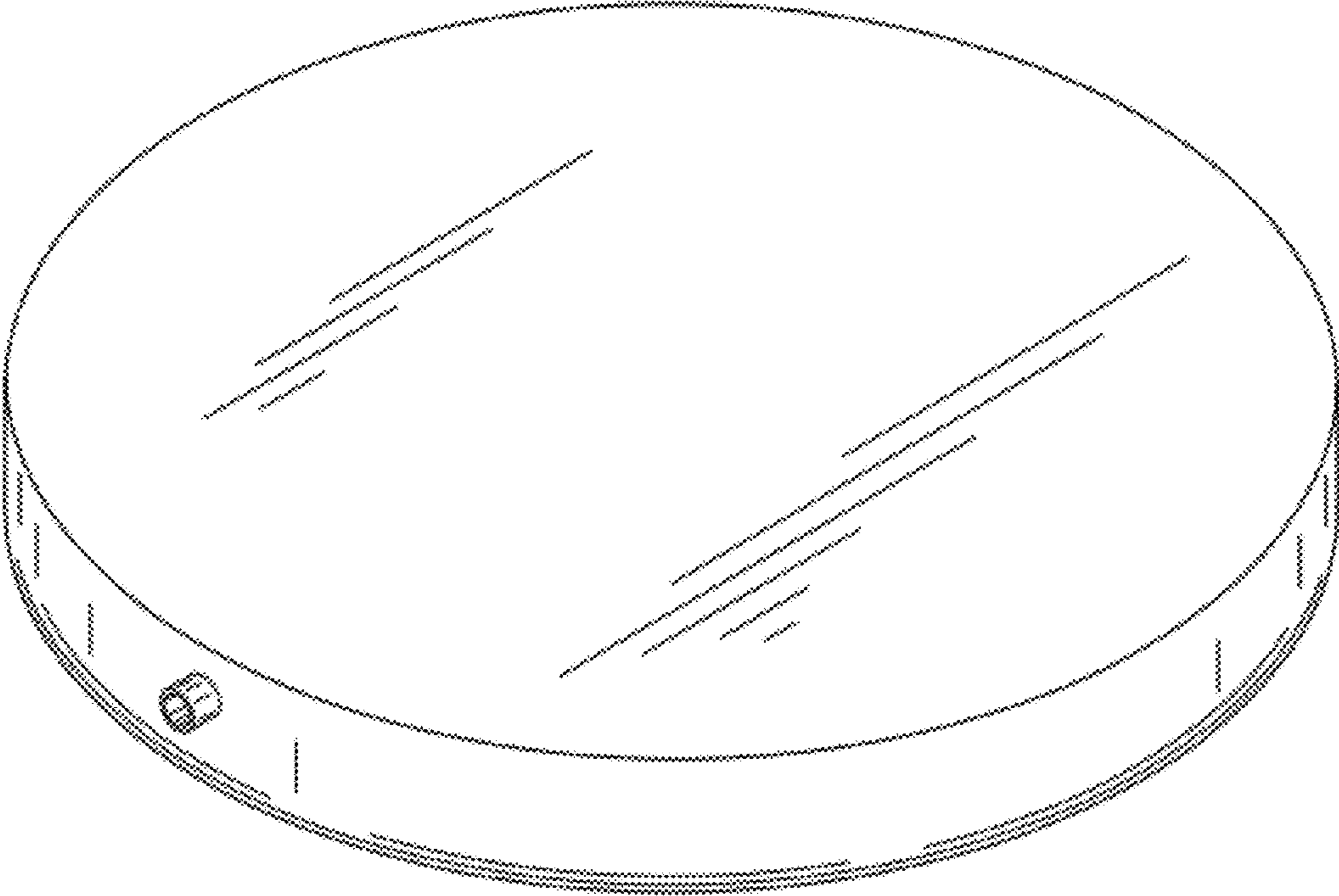


FIG. 2



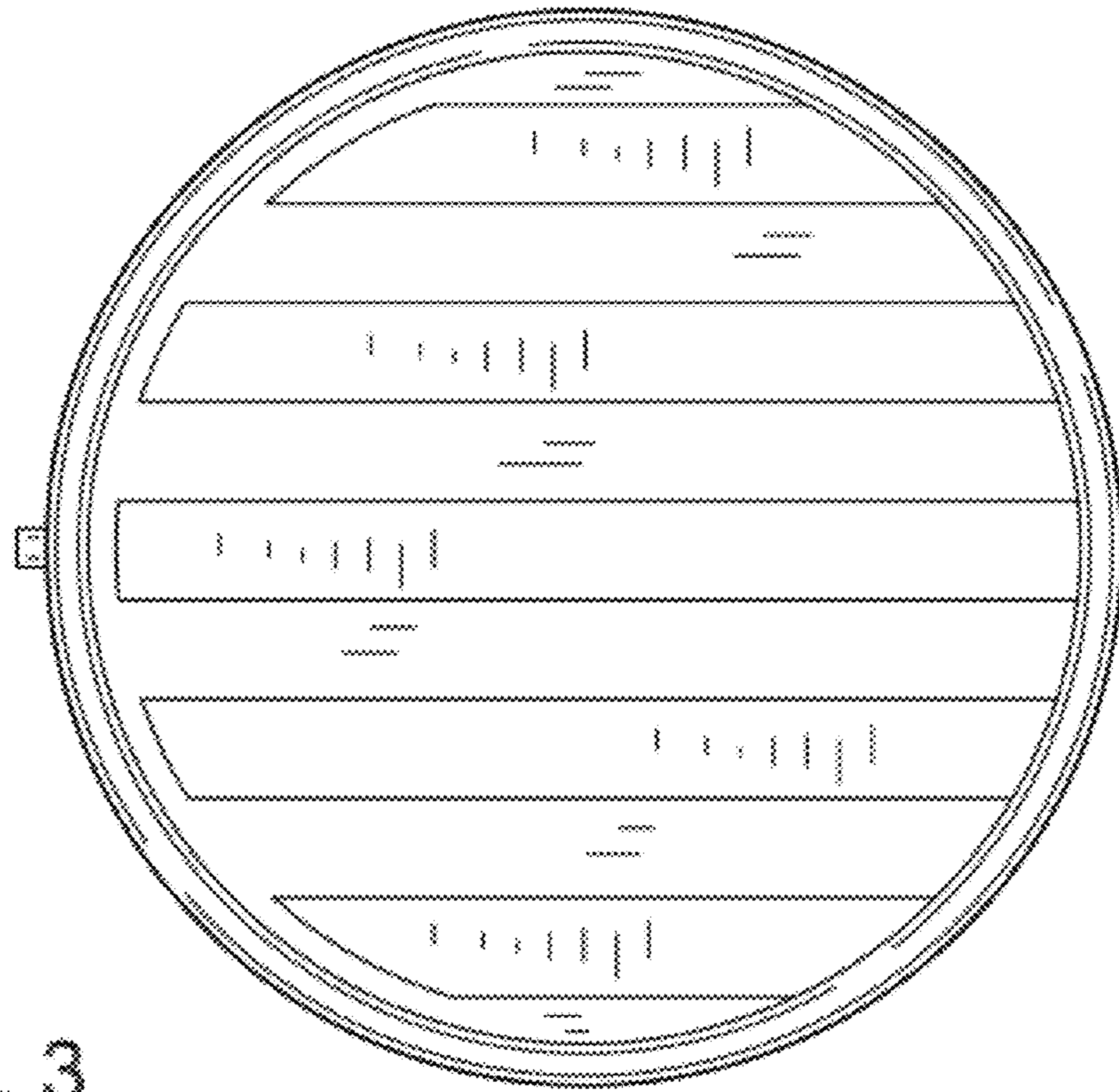


FIG. 3

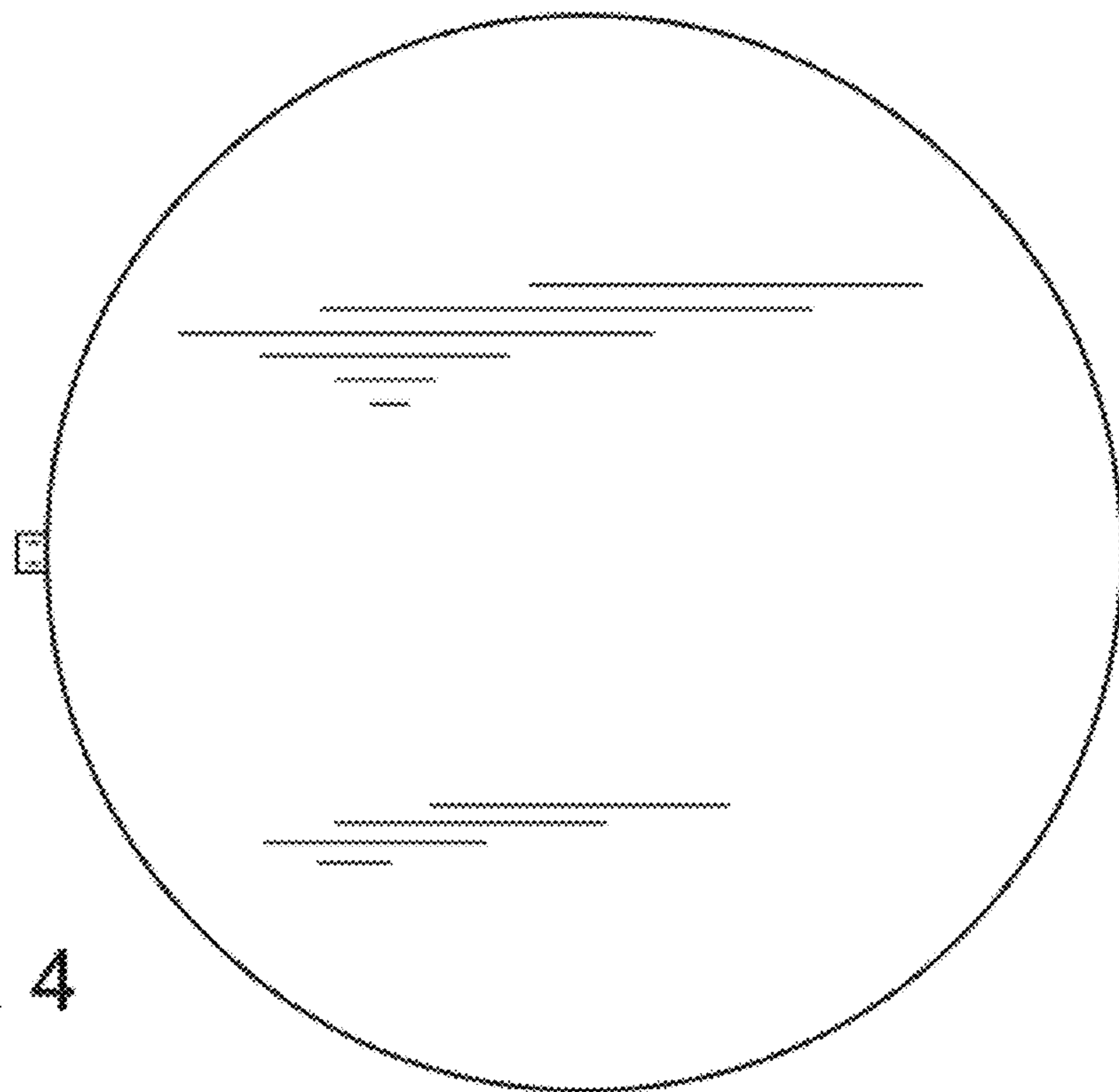


FIG. 4

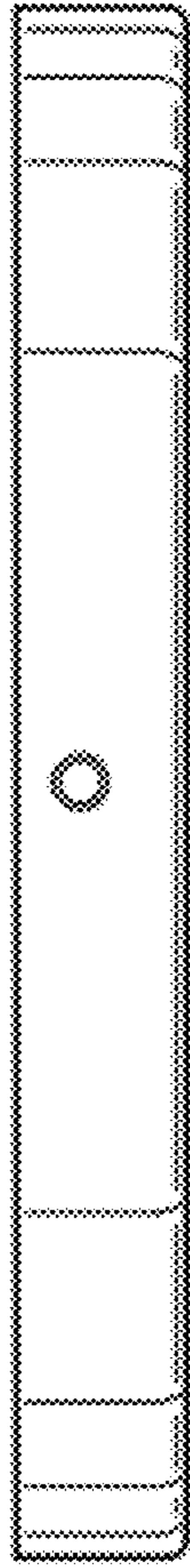


FIG. 5

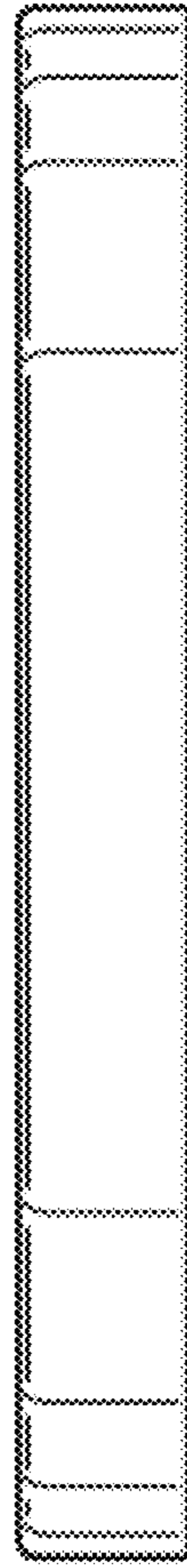


FIG. 6



FIG. 7