



US00D677366S

(12) **United States Design Patent**  
**Chen**

(10) **Patent No.:** **US D677,366 S**

(45) **Date of Patent:** **\*\* Mar. 5, 2013**

(54) **TOUCH-FREE FAUCET**

(75) Inventor: **Chung-Chia Chen**, La Habra Heights,  
CA (US)

(73) Assignee: **Chung-Chia Chen**, La Habra Heights,  
CA (US)

(\*\*) Term: **14 Years**

(21) Appl. No.: **29/402,668**

(22) Filed: **Sep. 26, 2011**

(51) **LOC (9) Cl.** ..... **23-02**

(52) **U.S. Cl.** ..... **D23/255**

(58) **Field of Classification Search** ..... D23/238,  
D23/255, 257; 4/675-678; 137/801  
See application file for complete search history.

(56) **References Cited**

U.S. PATENT DOCUMENTS

D534,622 S \* 1/2007 Chu et al. .... D23/238  
D610,653 S \* 2/2010 Schoenherr et al. .... D23/238

\* cited by examiner

*Primary Examiner* — Robert Delehanty

(74) *Attorney, Agent, or Firm* — Knobbe Martens Olson &  
Bear, LLP

(57) **CLAIM**

I claim the ornamental design for a touch-free faucet, as  
shown and described.

**DESCRIPTION**

FIG. 1 is a perspective view of a first embodiment of a touch-  
free faucet;

FIG. 2 is a front elevation view of the first embodiment of the  
touch-free faucet;

FIG. 3 is a rear elevation view of the first embodiment of the  
touch-free faucet;

FIG. 4 is a left elevation view of the first embodiment of the  
touch-free faucet;

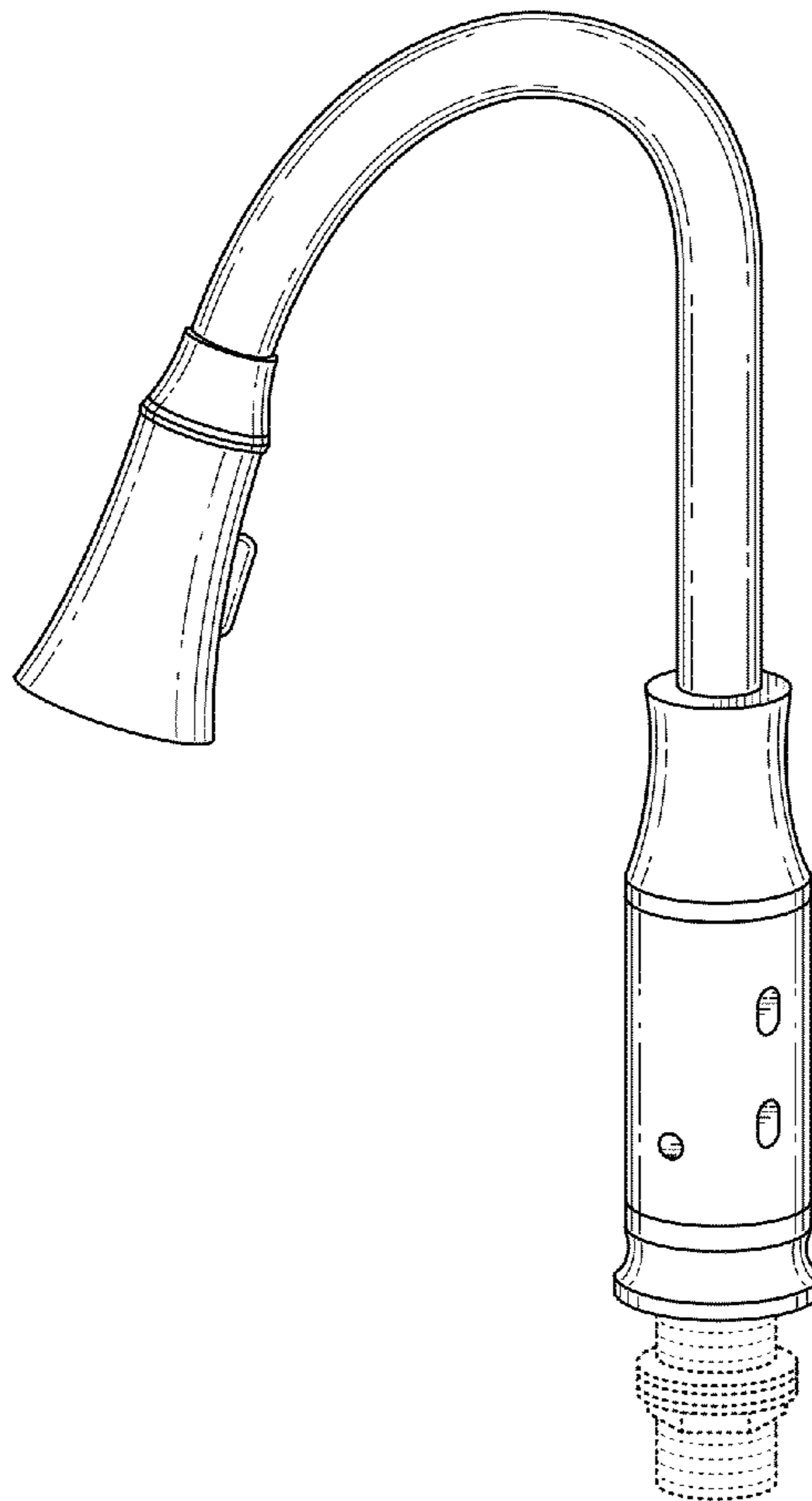
FIG. 5 is a right elevation view of the first embodiment of the  
touch-free faucet;

FIG. 6 is a top plan view of the first embodiment of the  
touch-free faucet; and,

FIG. 7 is a bottom plan view of the first embodiment of the  
touch-free faucet.

The broken lines showing a portion of the faucet are included  
for the purpose of illustrating a portion of the faucet that  
forms no part of the claimed design.

**1 Claim, 4 Drawing Sheets**



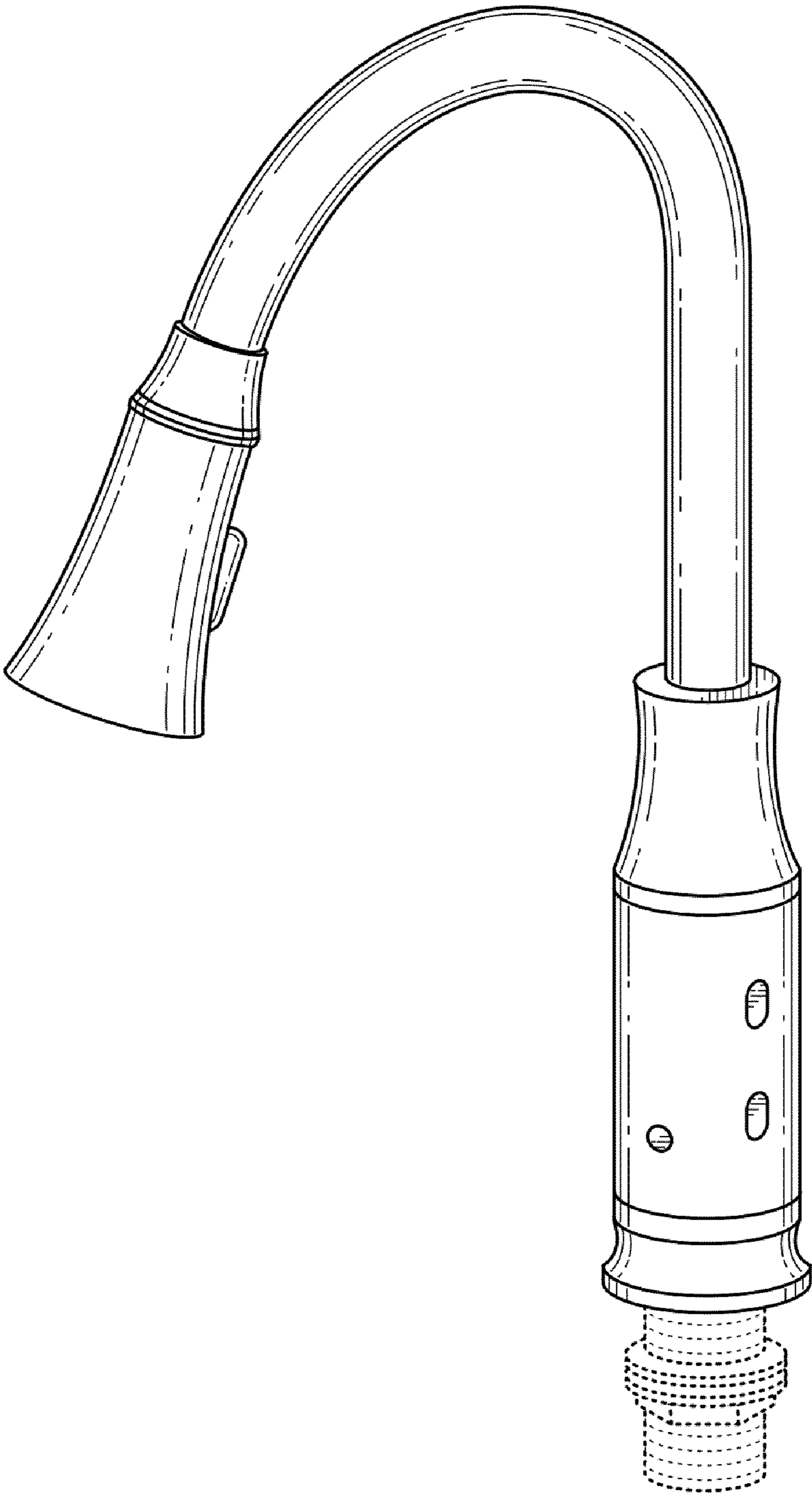


FIG. 1

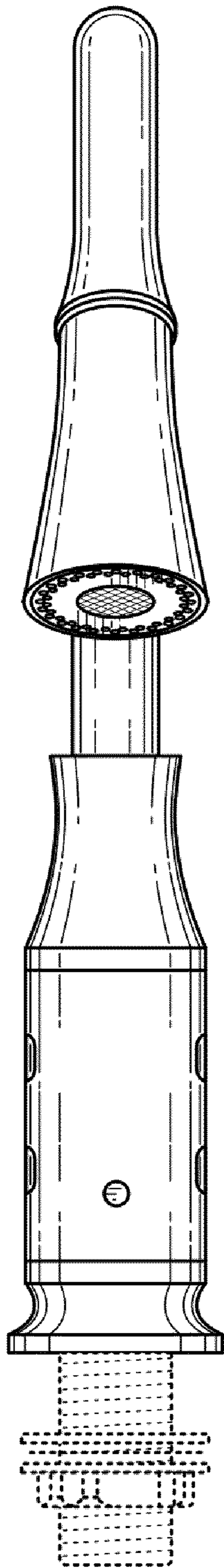


FIG. 2

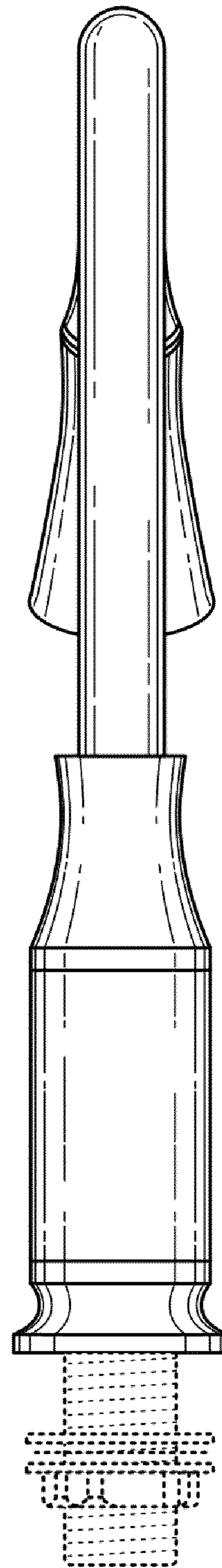


FIG. 3

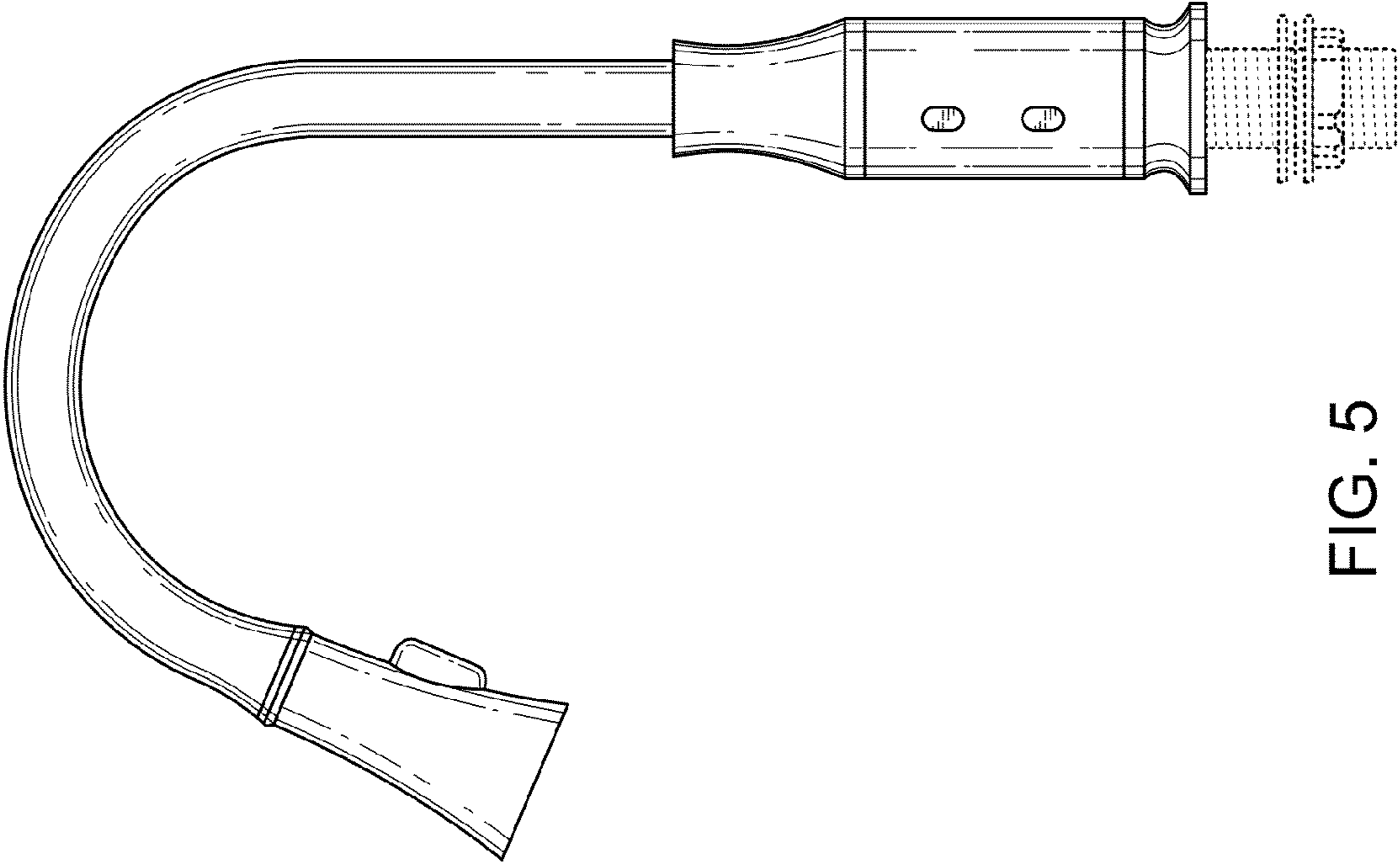


FIG. 5

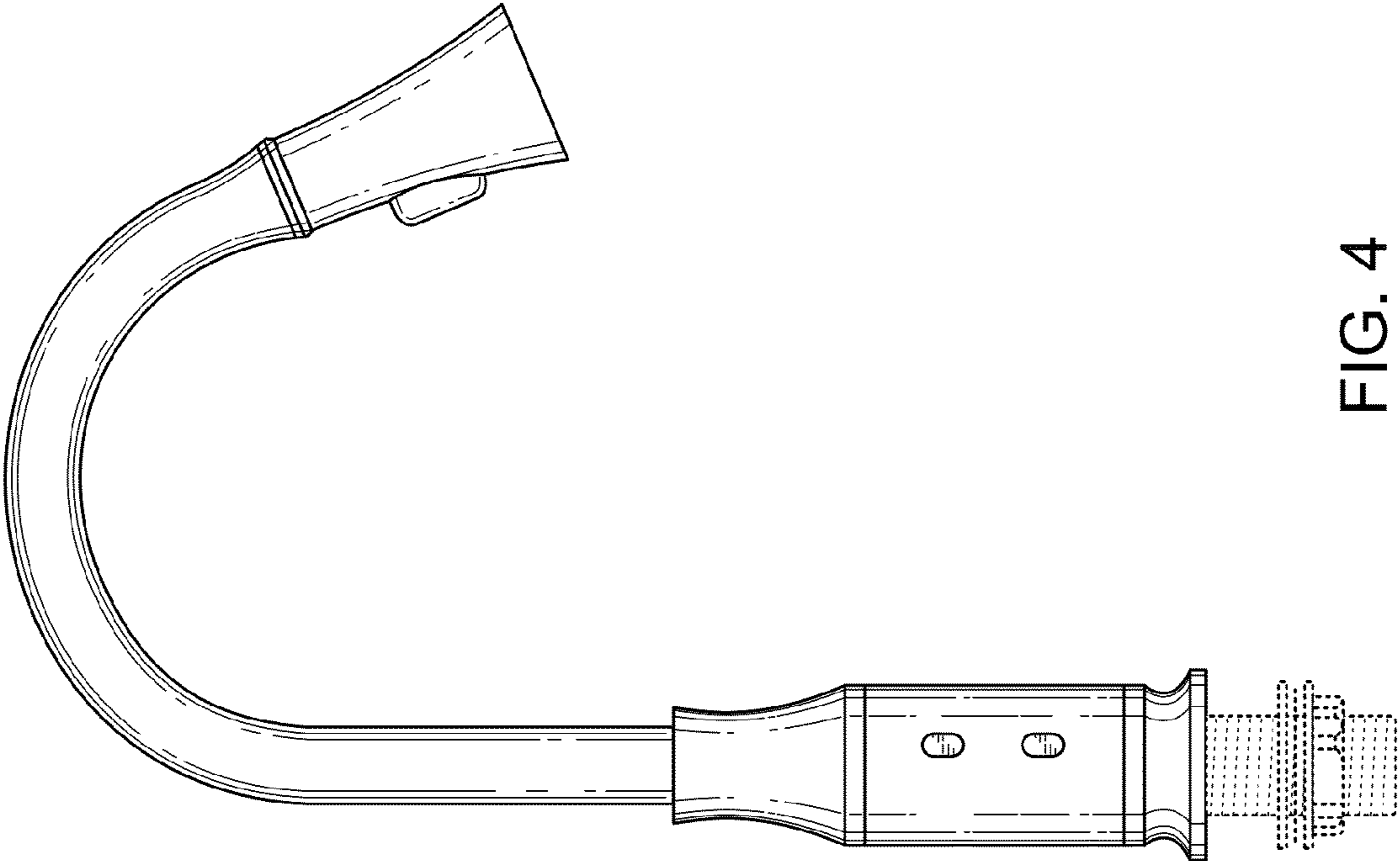


FIG. 4

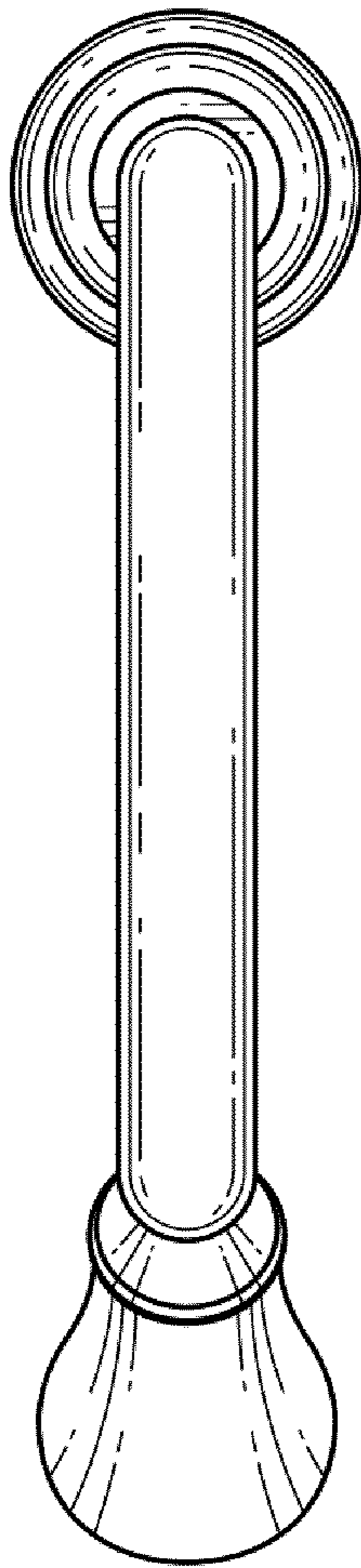


FIG. 6

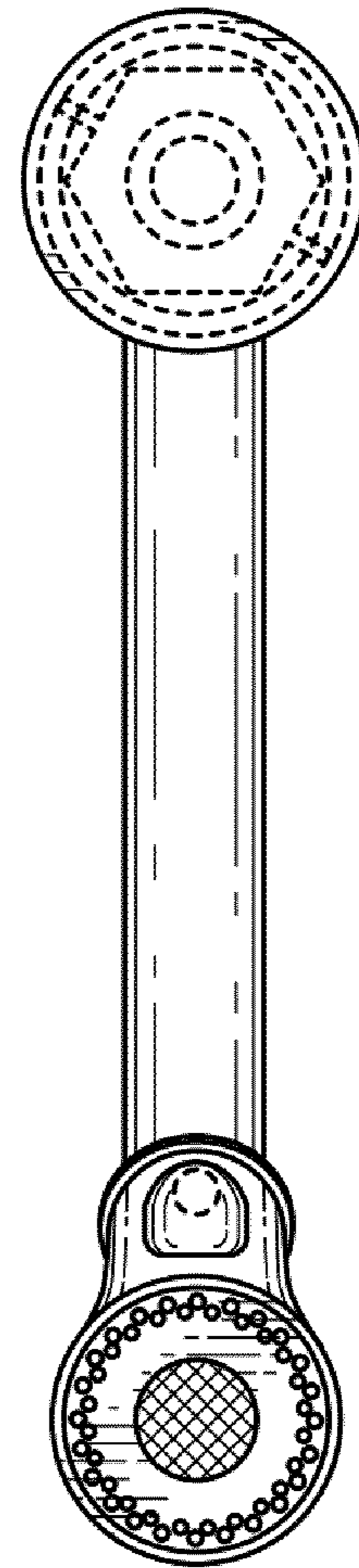


FIG. 7