



US00D677365S

(12) **United States Design Patent**
Schoenherr et al.

(10) **Patent No.:** **US D677,365 S**
(45) **Date of Patent:** **** Mar. 5, 2013**

(54) **FAUCET**

(75) Inventors: **Tom Schoenherr**, Stuttgart (DE); **Marco Flaig**, Stuttgart (DE)

(73) Assignee: **Hansgrohe SE**, Schiltach (DE)

(**) Term: **14 Years**

(21) Appl. No.: **29/414,094**

(22) Filed: **Feb. 24, 2012**

(30) **Foreign Application Priority Data**

Aug. 31, 2011 (EM) 001291439-0004

(51) **LOC (9) Cl.** **23-01**

(52) **U.S. Cl.** **D23/238**

(58) **Field of Classification Search** D23/238-240,
D23/250, 252, 254-255, 257; 4/675-678;
137/801

See application file for complete search history.

(56) **References Cited**

PUBLICATIONS

Brochure—Armaturen für Bad and Küche 2005, 3 pgs., Damixa Armaturen GmbH, Iserlohn, Germany (at least as early as Mar. 15, 2005).

Brochure—Blueseas Series 3017 and Series 3024/3025, 4 pgs., Taizhou Jiecheng Sanitary Wares Co., Ltd., Zhejiang, China (at least as early as 2009).

Brochure—2009 The Collections, Itec, 3 pgs., Goldiden Industrial Co., Ltd., Guangdong Province, China (at least as early as 2009).

Brochure—2009 The Collections, Longo, 4 pgs., Goldiden Industrial Co., Ltd., Guangdong Province, China (at least as early as 2009).

Primary Examiner — Robert Delehanty

(74) *Attorney, Agent, or Firm* — Nirav D. Parikh; Lora J. Graentzdoerffer; Edgar A. Zarins

(57) **CLAIM**

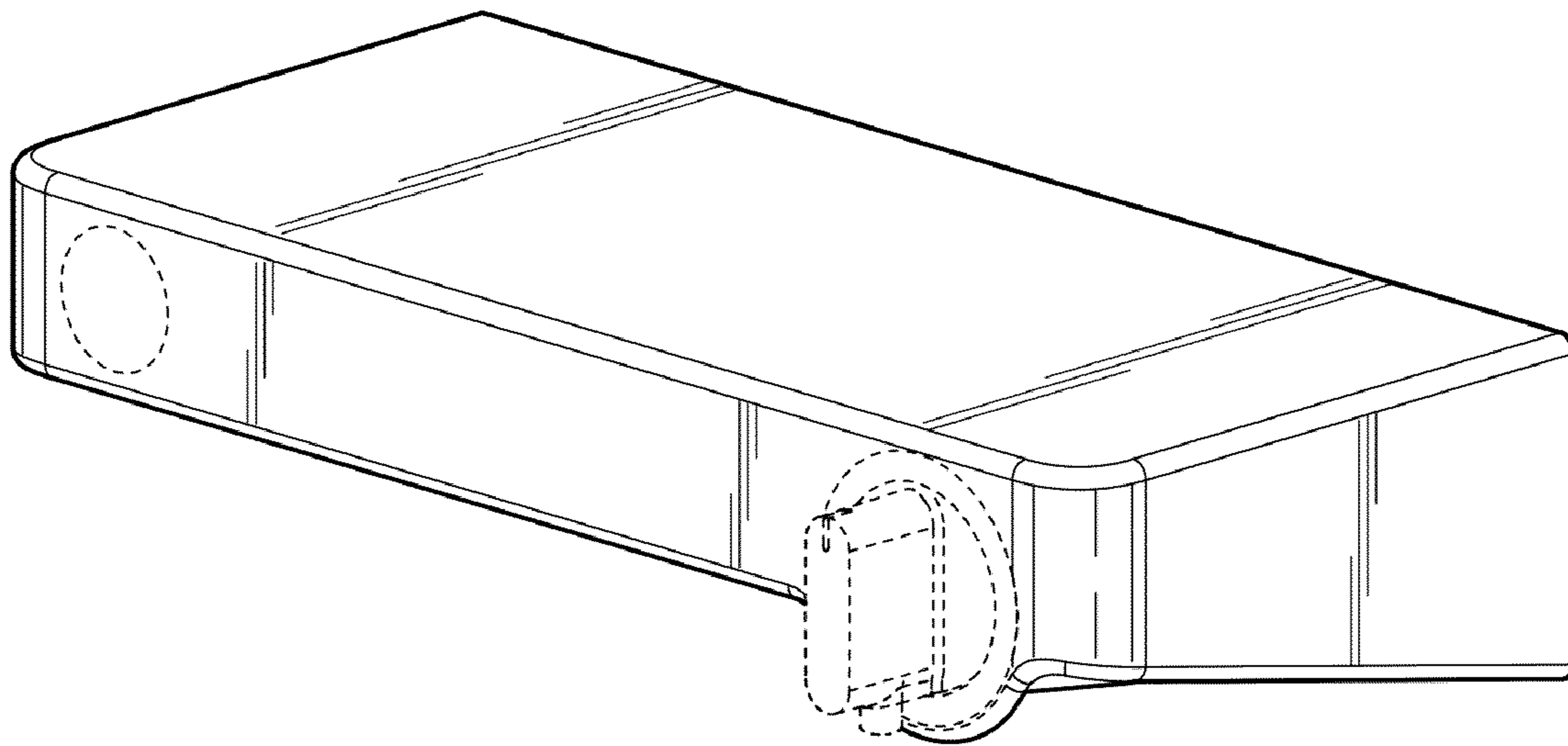
The ornamental design for a faucet, as shown and described.

DESCRIPTION

FIG. 1 is a perspective view of a faucet showing our design; FIG. 2 is a front elevational view thereof; FIG. 3 is a rear elevational view thereof; FIG. 4 is a left side elevational view thereof; FIG. 5 is a right side elevational view thereof; FIG. 6 is a top plan view thereof; and, FIG. 7 is a bottom plan view thereof.

The broken-line disclosure in the views represents portions of the article in which the claimed design is embodied, but which form no part of the claimed design.

1 Claim, 7 Drawing Sheets



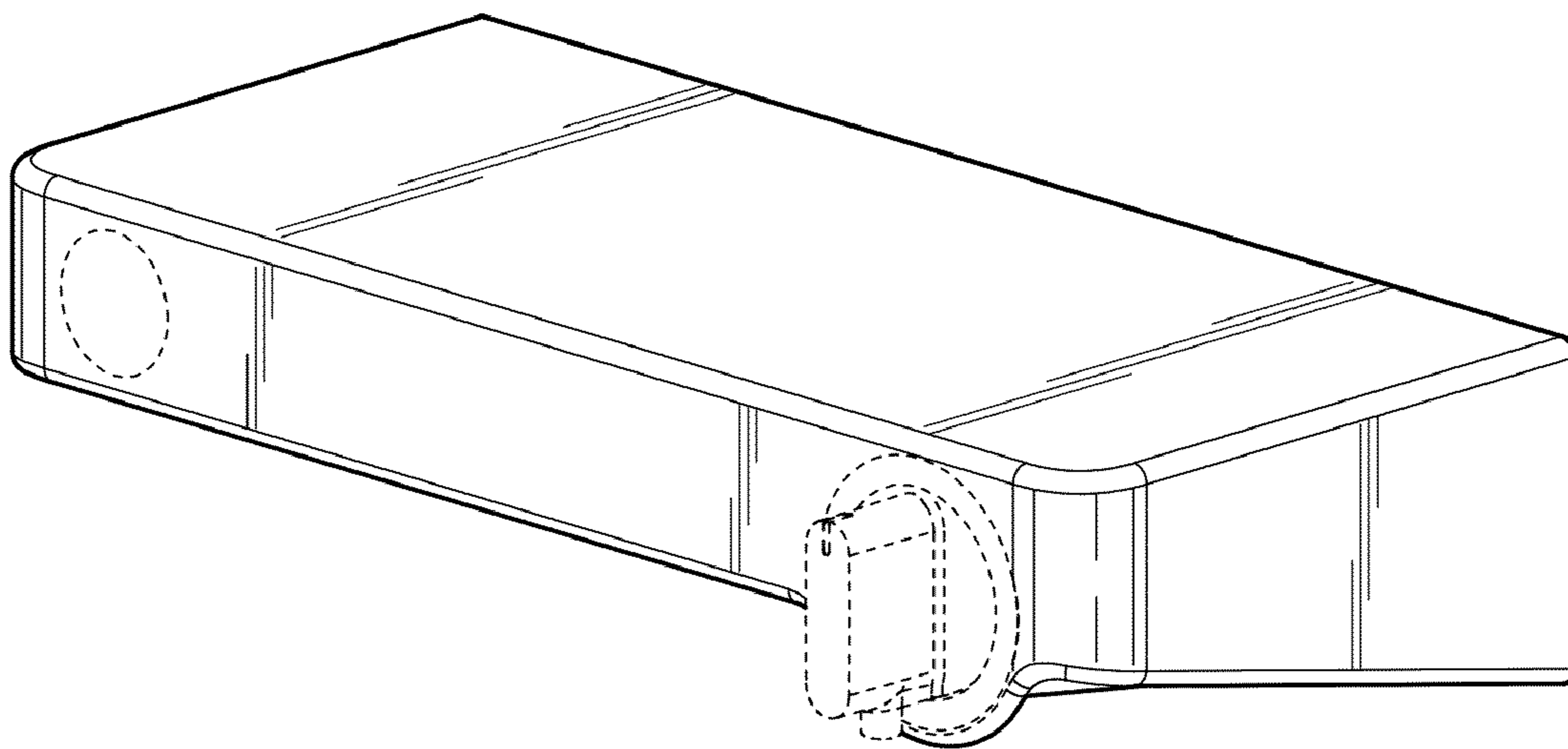


FIG. 1

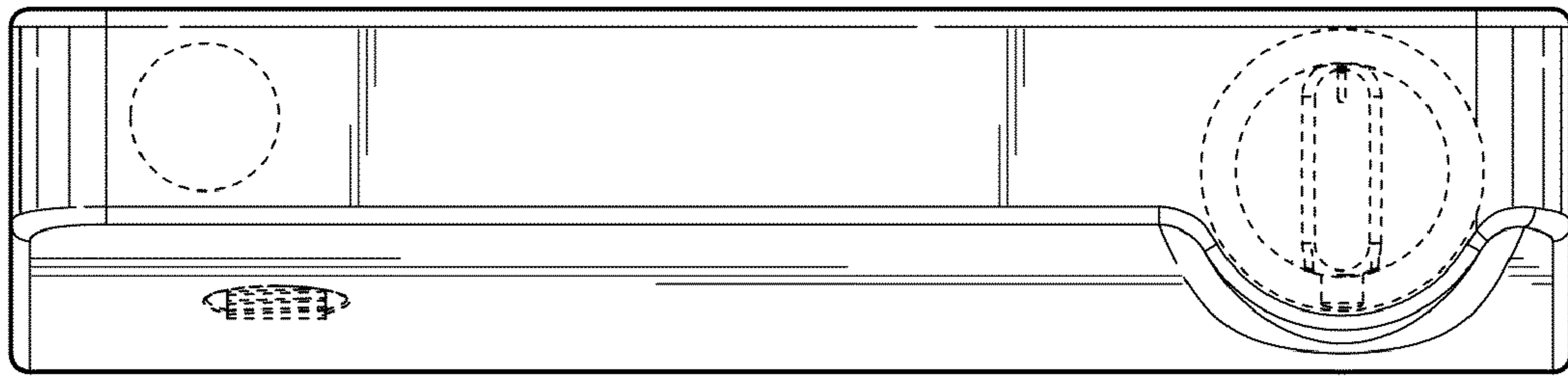


FIG. 2

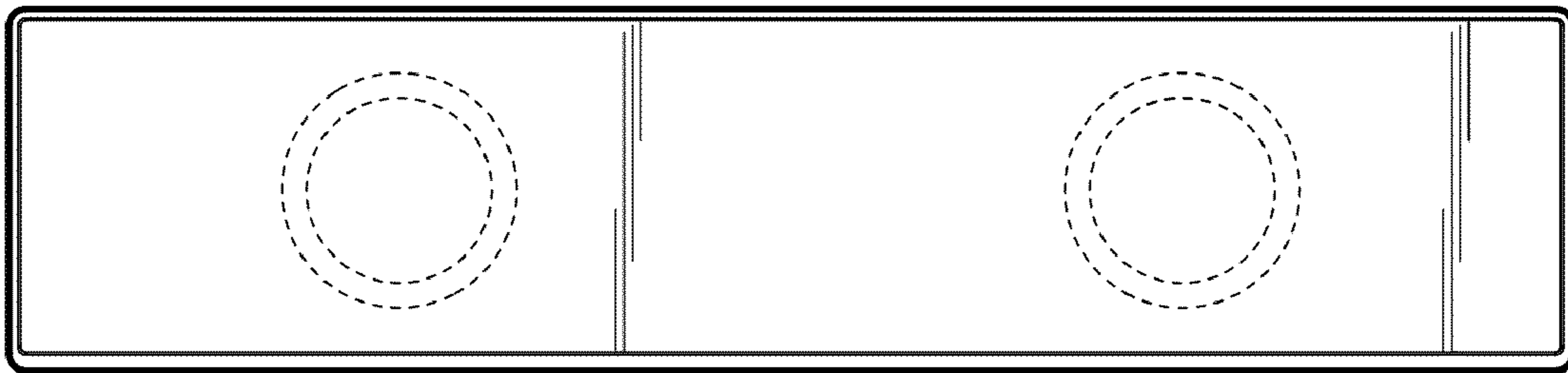


FIG. 3

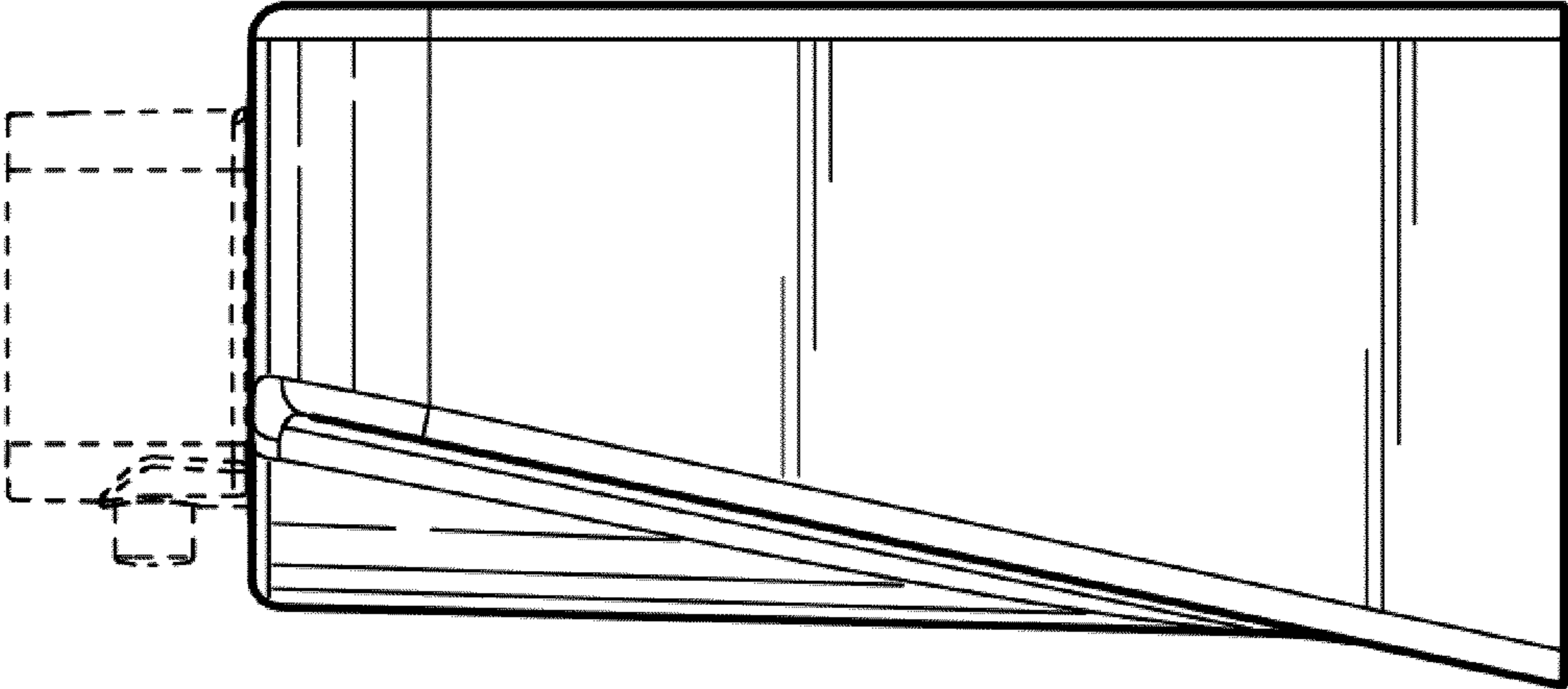


FIG. 4

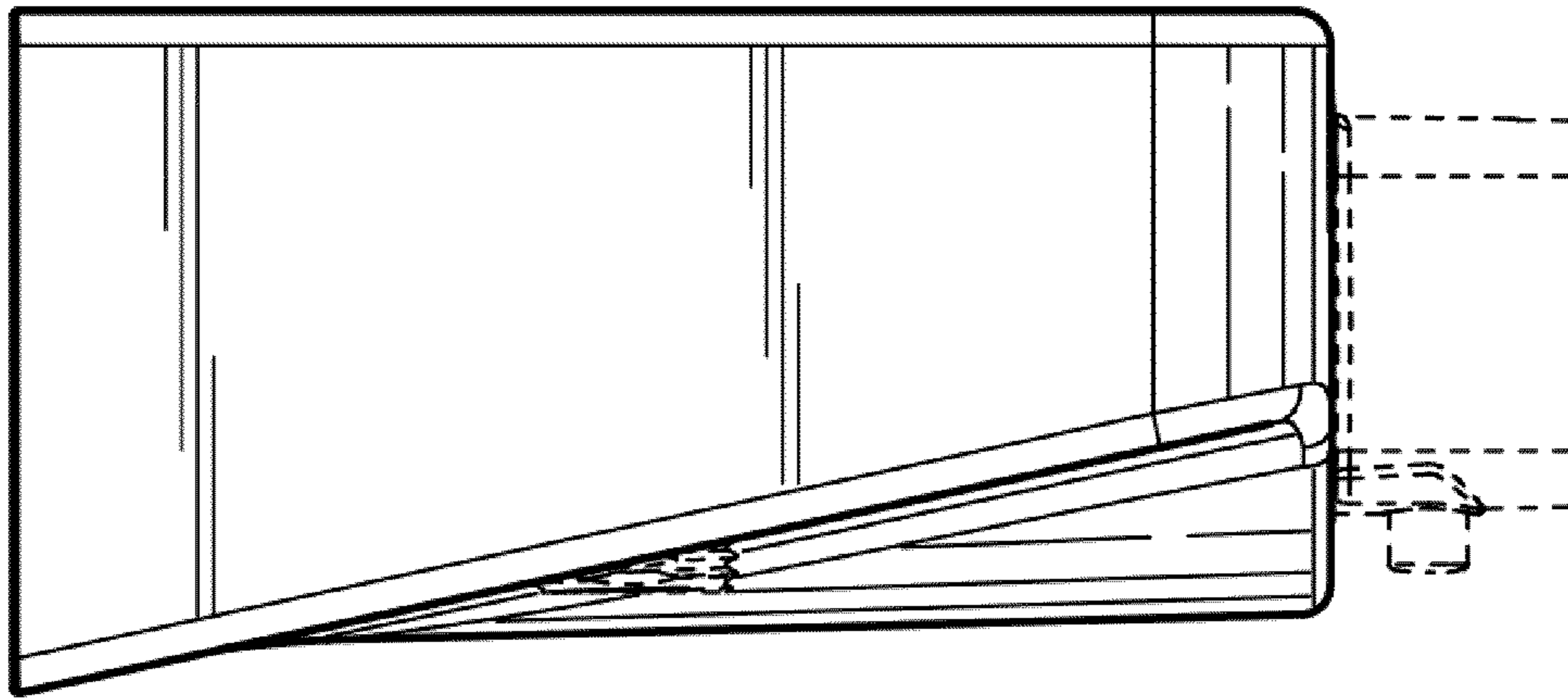


FIG. 5

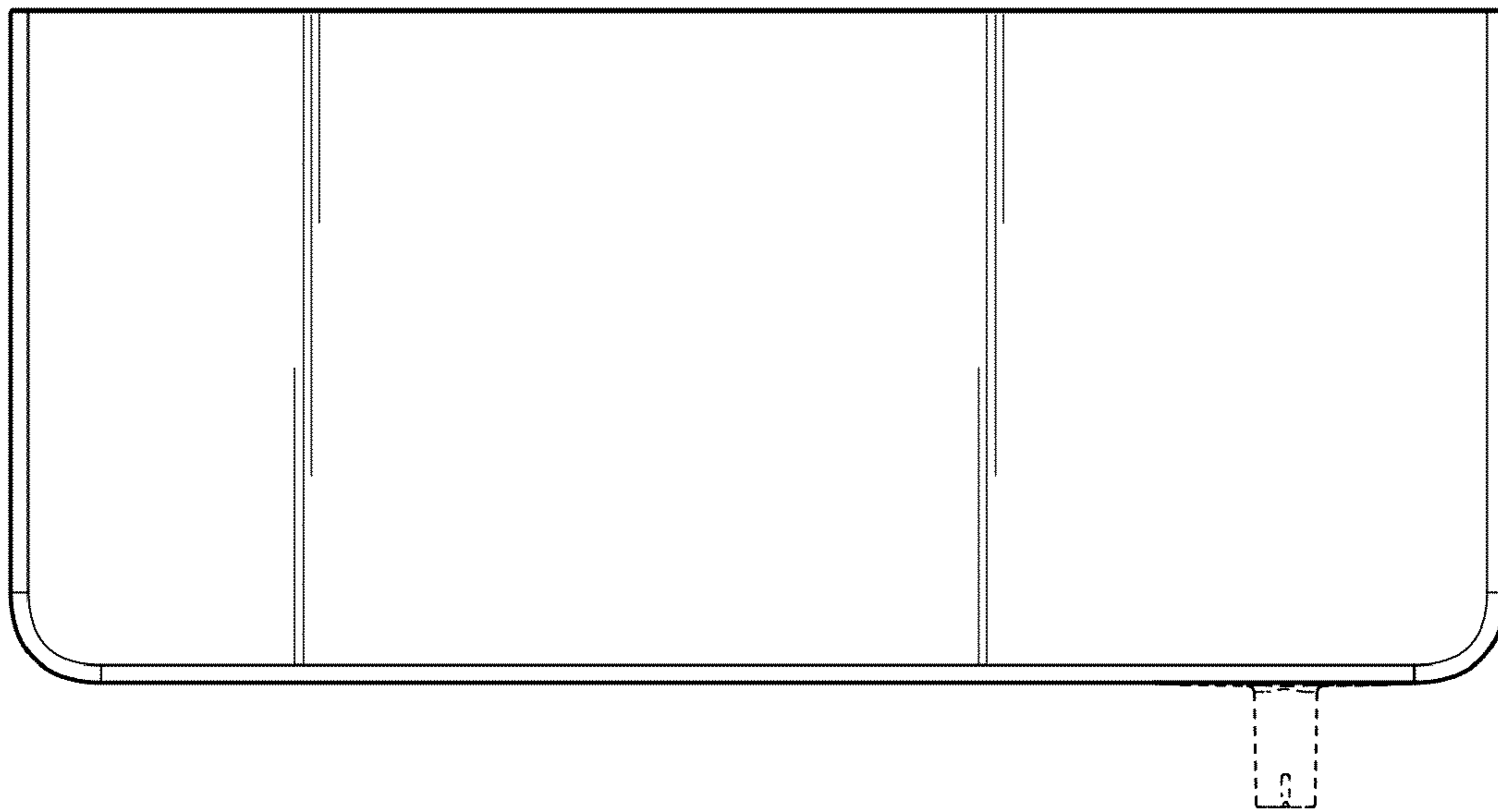


FIG. 6

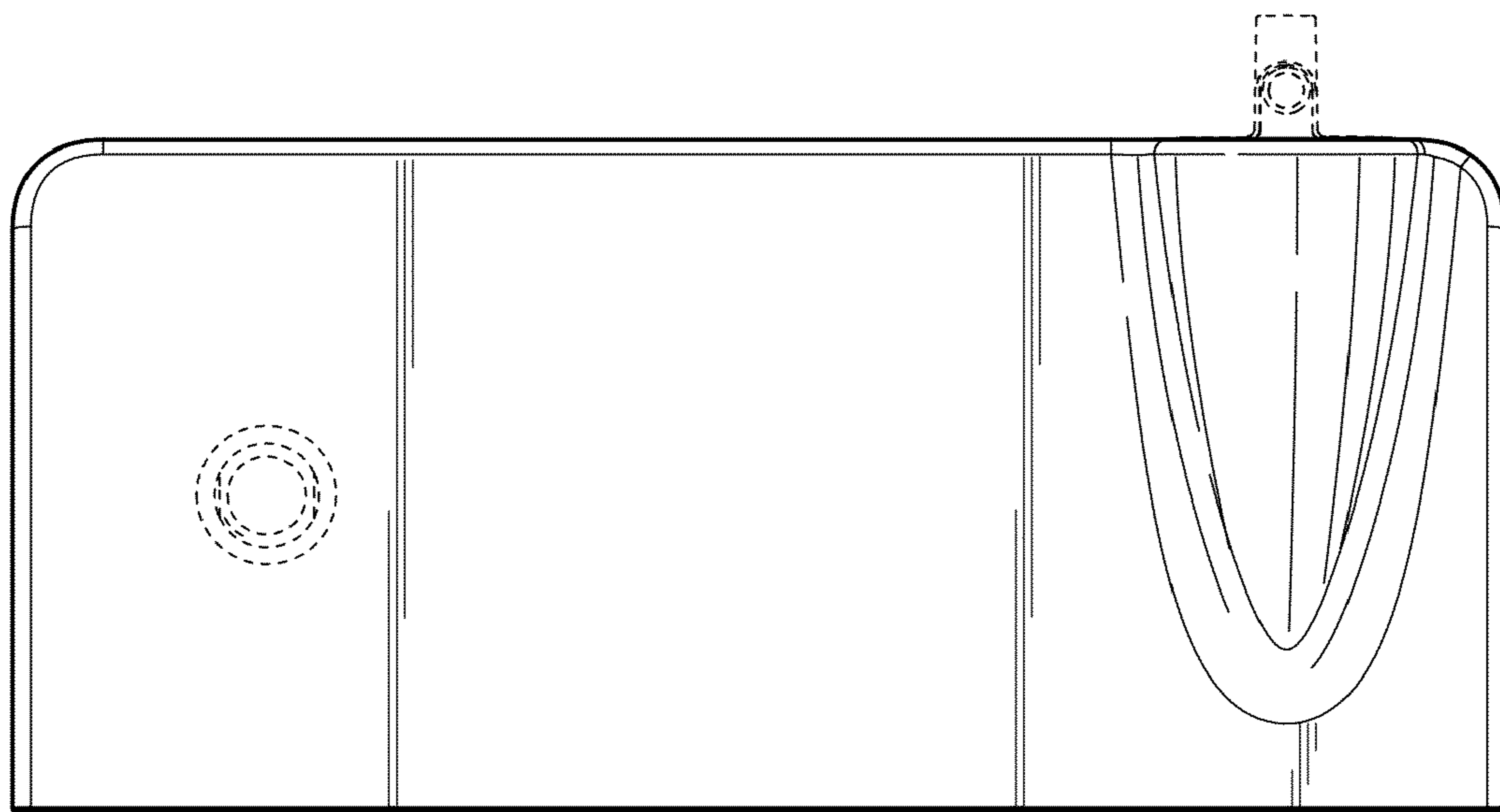


FIG. 7