



US00D677363S

(12) **United States Design Patent**
Norlander et al.

(10) **Patent No.:** **US D677,363 S**
(45) **Date of Patent:** **** Mar. 5, 2013**

(54) **VALVE AND HANDLE FOR A HYDRONIC SYSTEM**

(75) Inventors: **Per Norlander**, Vargarda (SE); **Daniel Corso**, Ljung (SE); **Anders Helstad**, Ljung (SE)

(73) Assignee: **Tour & Andersson AB**, Ljung (SE)

(**) Term: **14 Years**

(21) Appl. No.: **29/387,819**

(22) Filed: **Mar. 18, 2011**

(51) **LOC (9) Cl.** **23-01**

(52) **U.S. Cl.** **D23/233**

(58) **Field of Classification Search** D23/233-237,
D23/245; 251/315.1; 137/385, 382, 549
See application file for complete search history.

(56) **References Cited**

U.S. PATENT DOCUMENTS

3,378,021	A	*	4/1968	Milo	137/68.14
D299,521	S	*	1/1989	Kiyota et al.	D23/245
D449,093	S	*	10/2001	Engelbrektsson et al.	...	D23/235
D455,474	S	*	4/2002	Knobel et al.	D23/245
D504,715	S	*	5/2005	Hagihara	D23/235
D647,598	S	*	10/2011	Matusche	D23/233

* cited by examiner

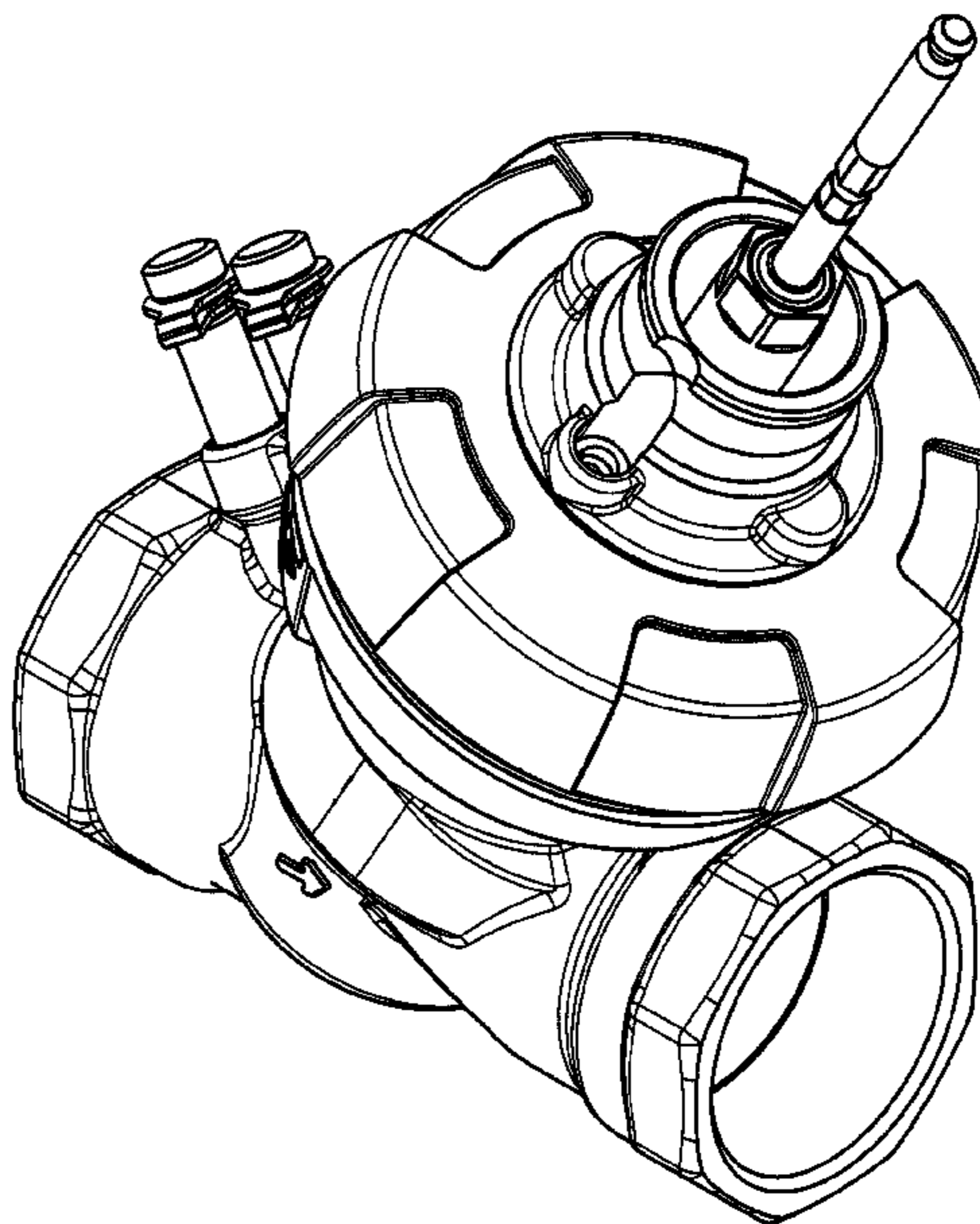
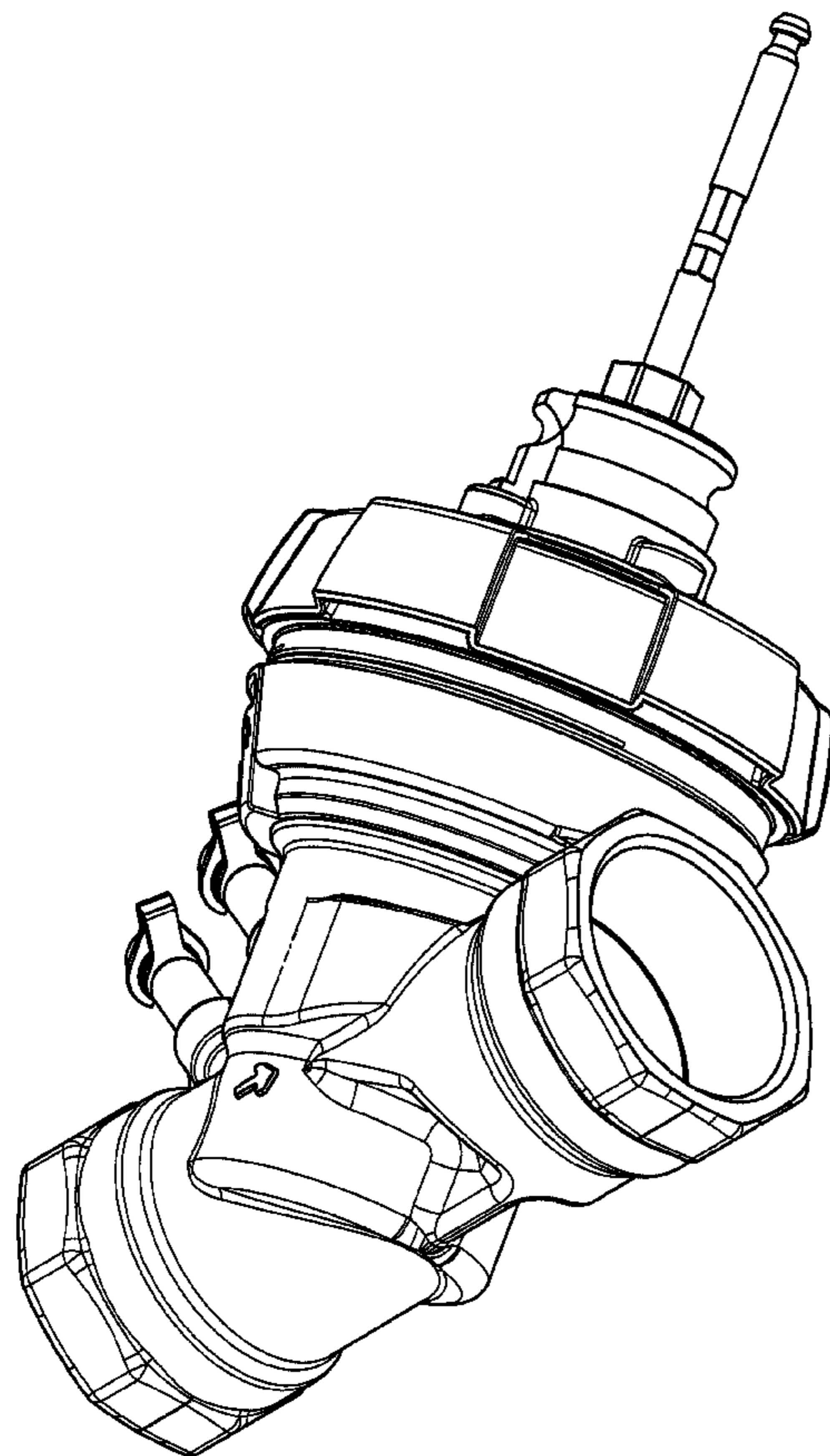
Primary Examiner — Robin V Webster
(74) *Attorney, Agent, or Firm* — Davis & Bujold P.L.L.C.

(57) **CLAIM**
The ornamental design for a valve and handle for a hydronic system, as shown and described.

DESCRIPTION

FIG. 1 is a perspective view from below showing our new design;
FIG. 2 is a side view from one side of the valve and handle for a hydronic system shown in FIG. 1;
FIG. 3 is a bottom plan view of the valve and handle for a hydronic system shown in FIG. 1;
FIG. 4 is a top plan view of the valve and handle for a hydronic system shown in FIG. 1;
FIG. 5 is a perspective view from above of the valve and handle for a hydronic system shown in FIG. 1;
FIG. 6 is a front view of the valve and handle for a hydronic system shown in FIG. 1;
FIG. 7 is a side view from the other side of the valve and handle for a hydronic system shown in FIG. 1; and,
FIG. 8 is a rear view of the valve and handle for a hydronic system shown in FIG. 1.

1 Claim, 8 Drawing Sheets



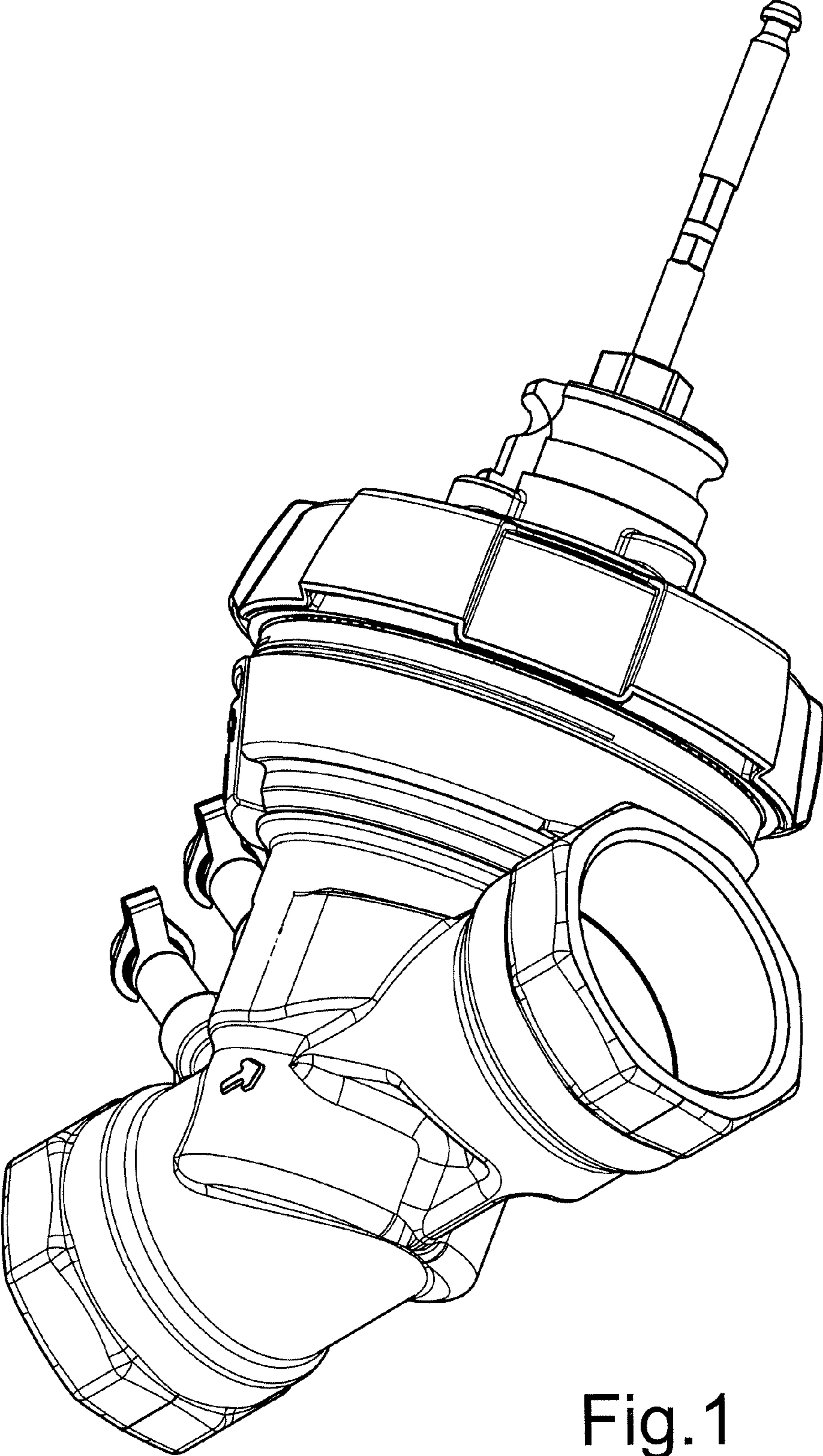
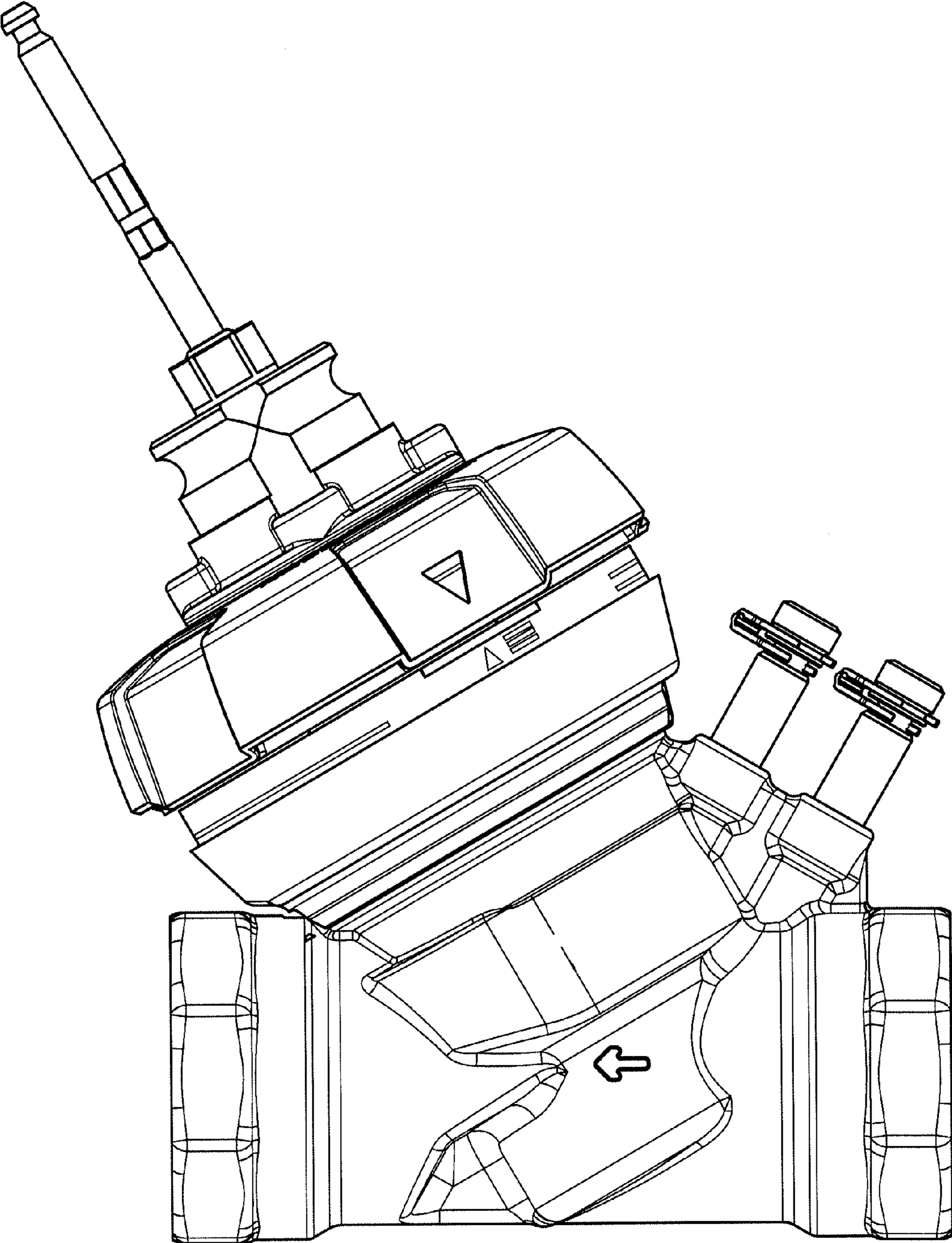


Fig.1

Fig.2



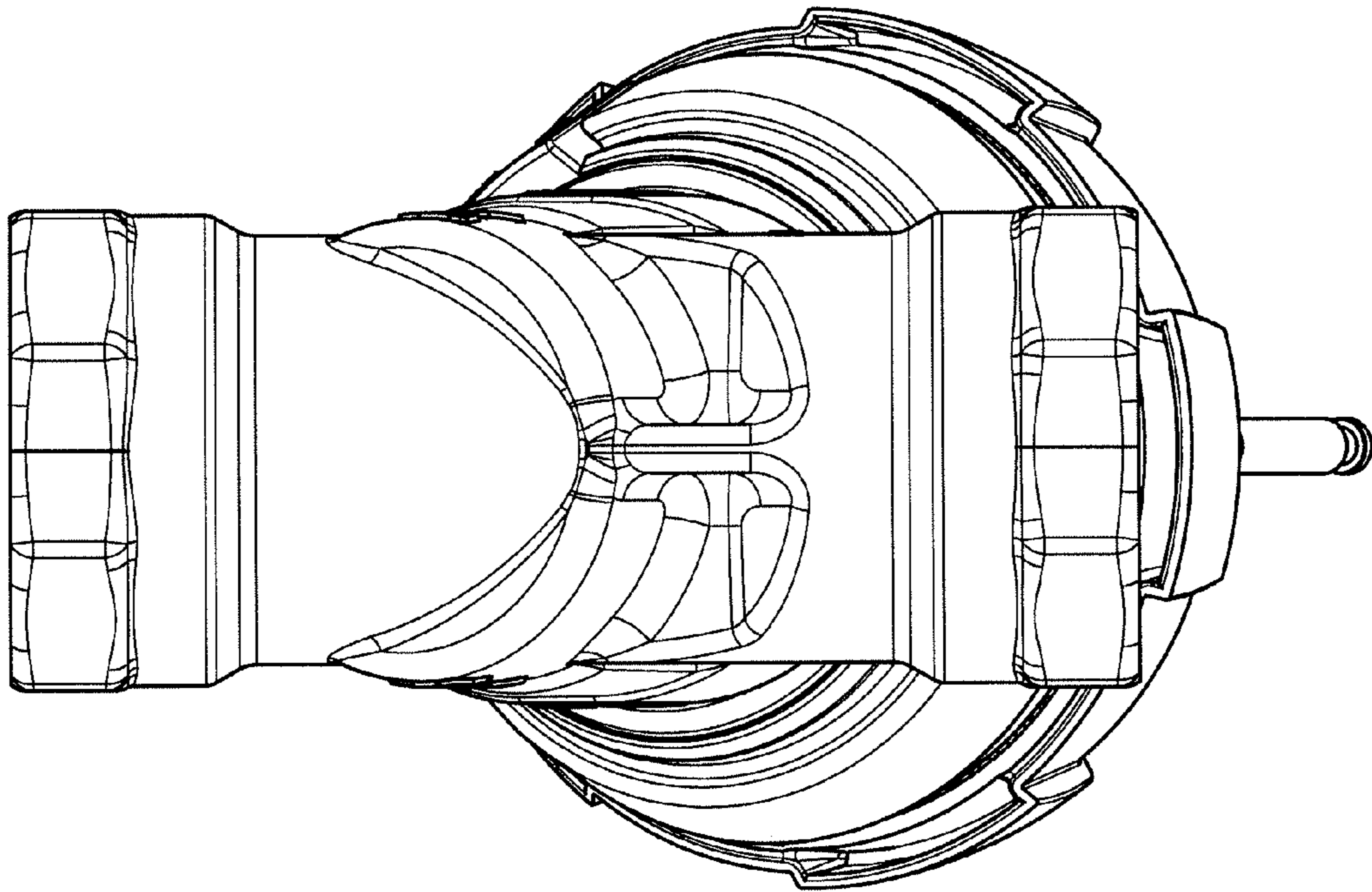


Fig.3

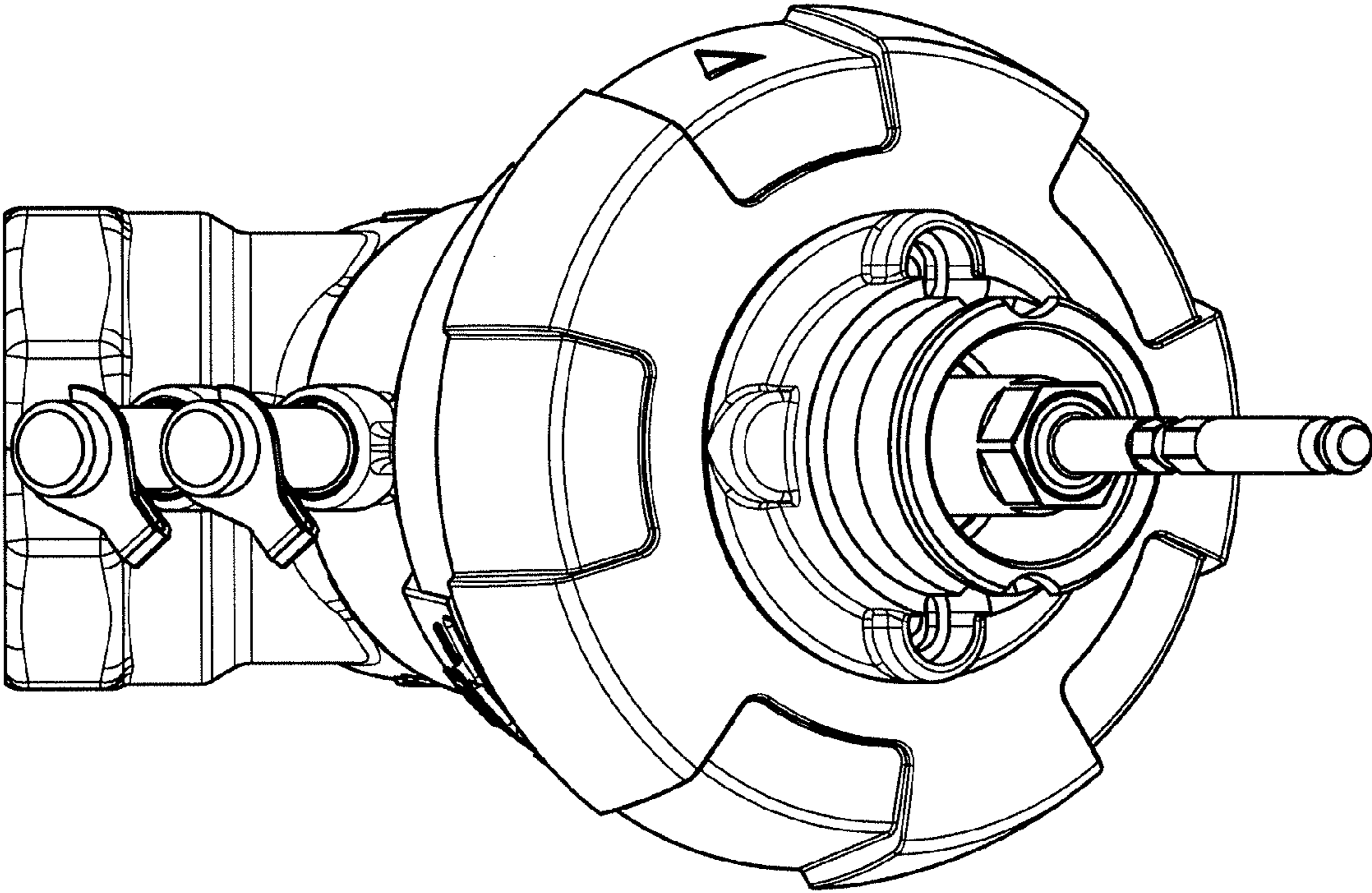


Fig.4

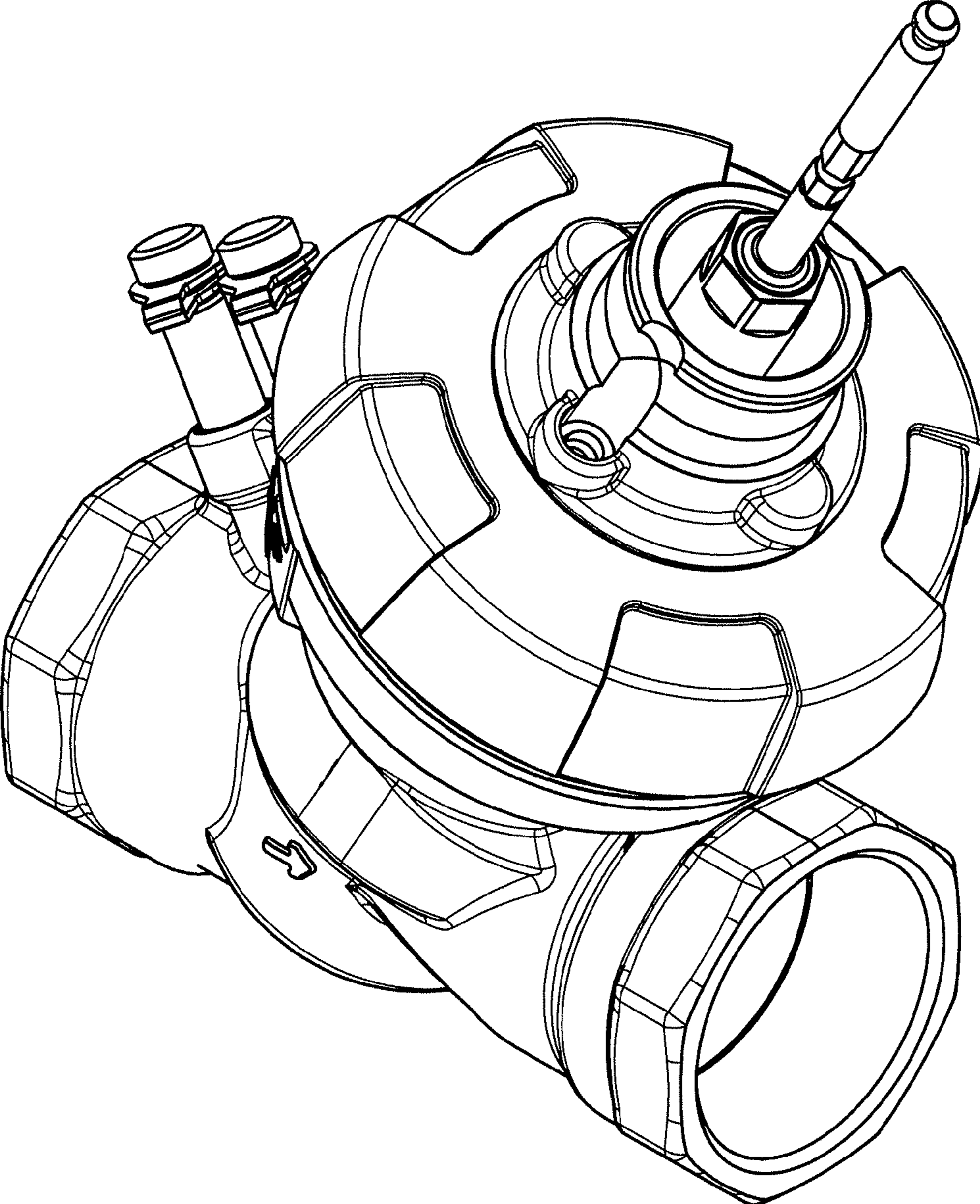


Fig.5

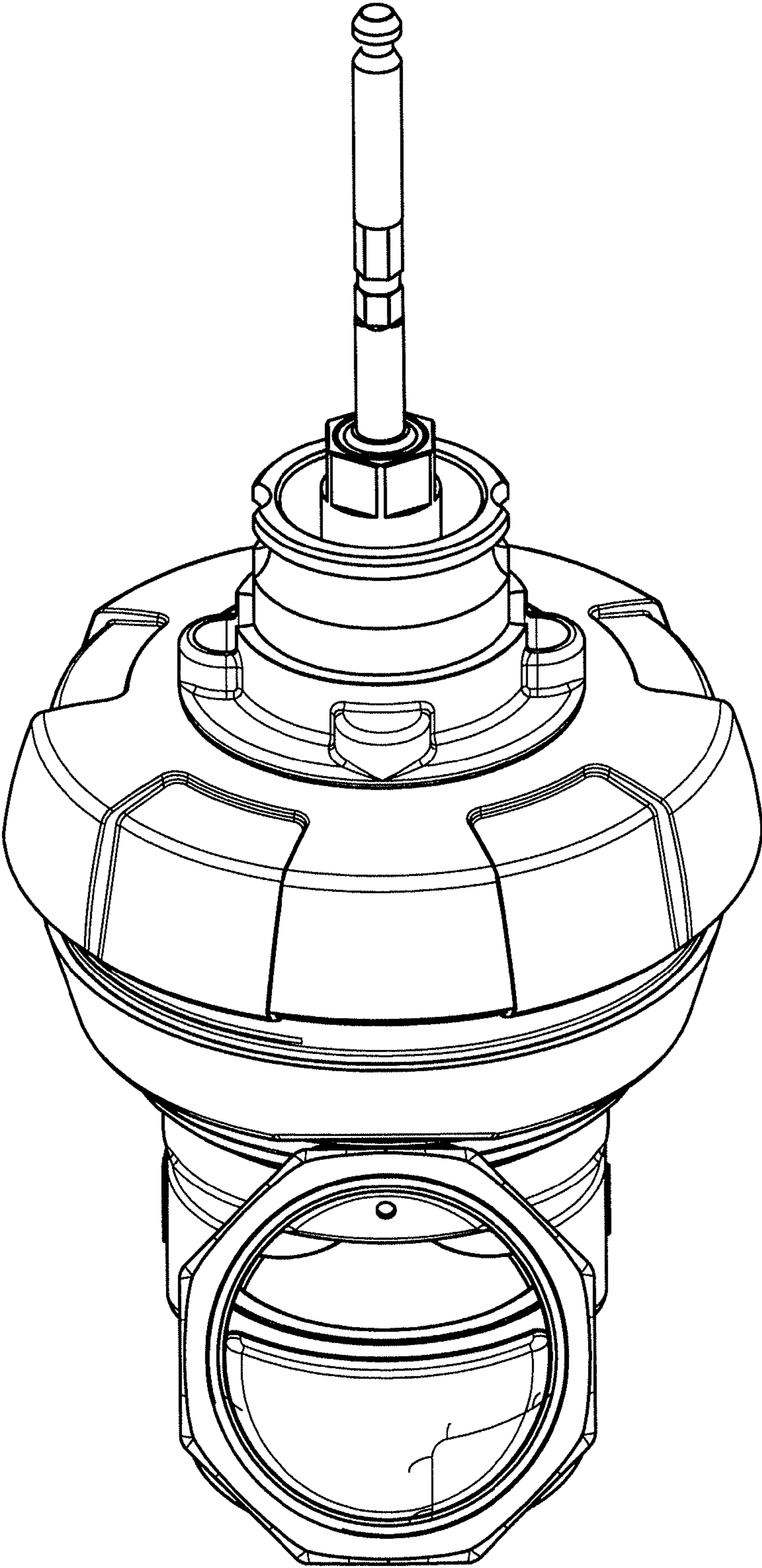


Fig.6

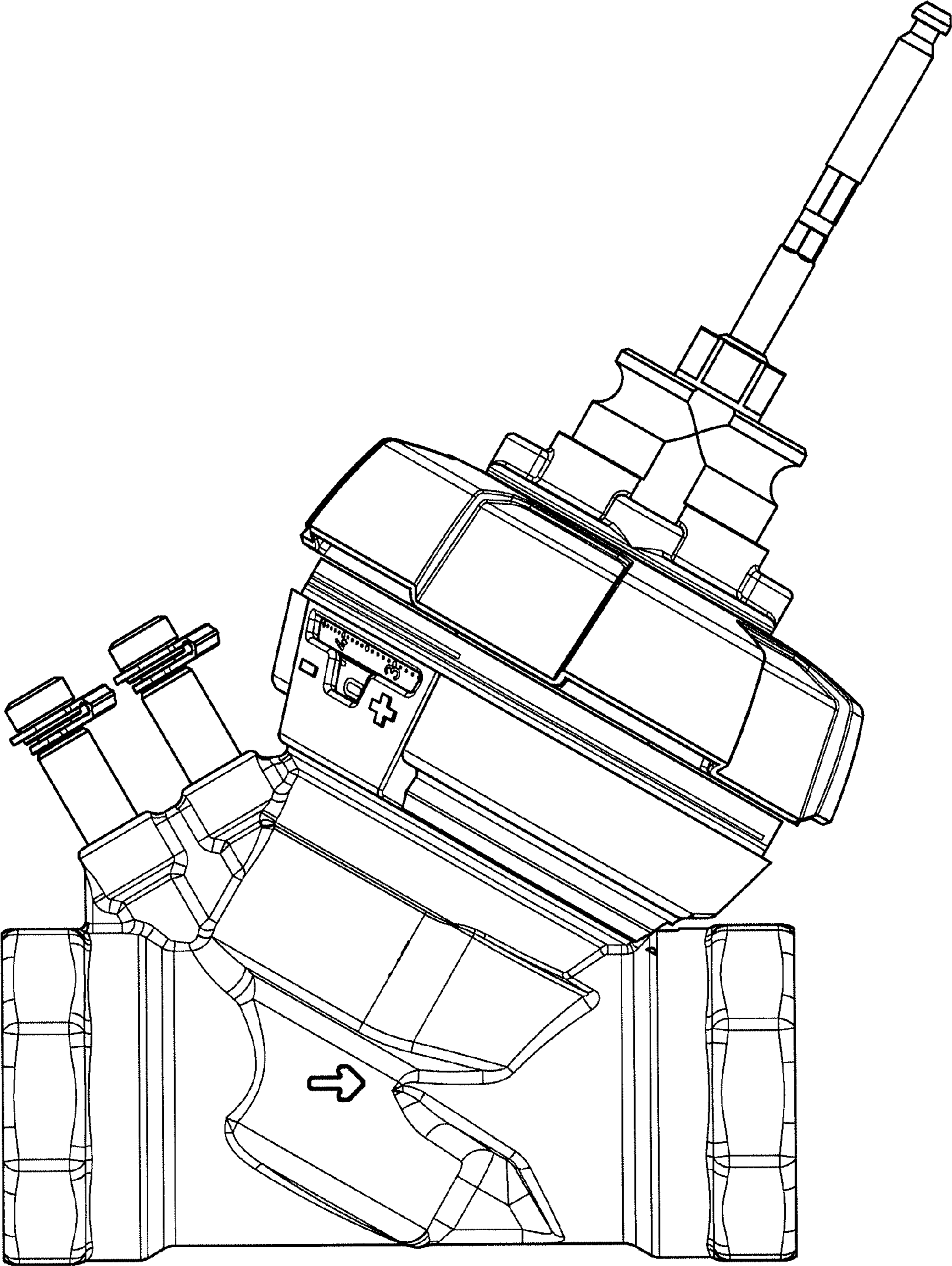


Fig.7

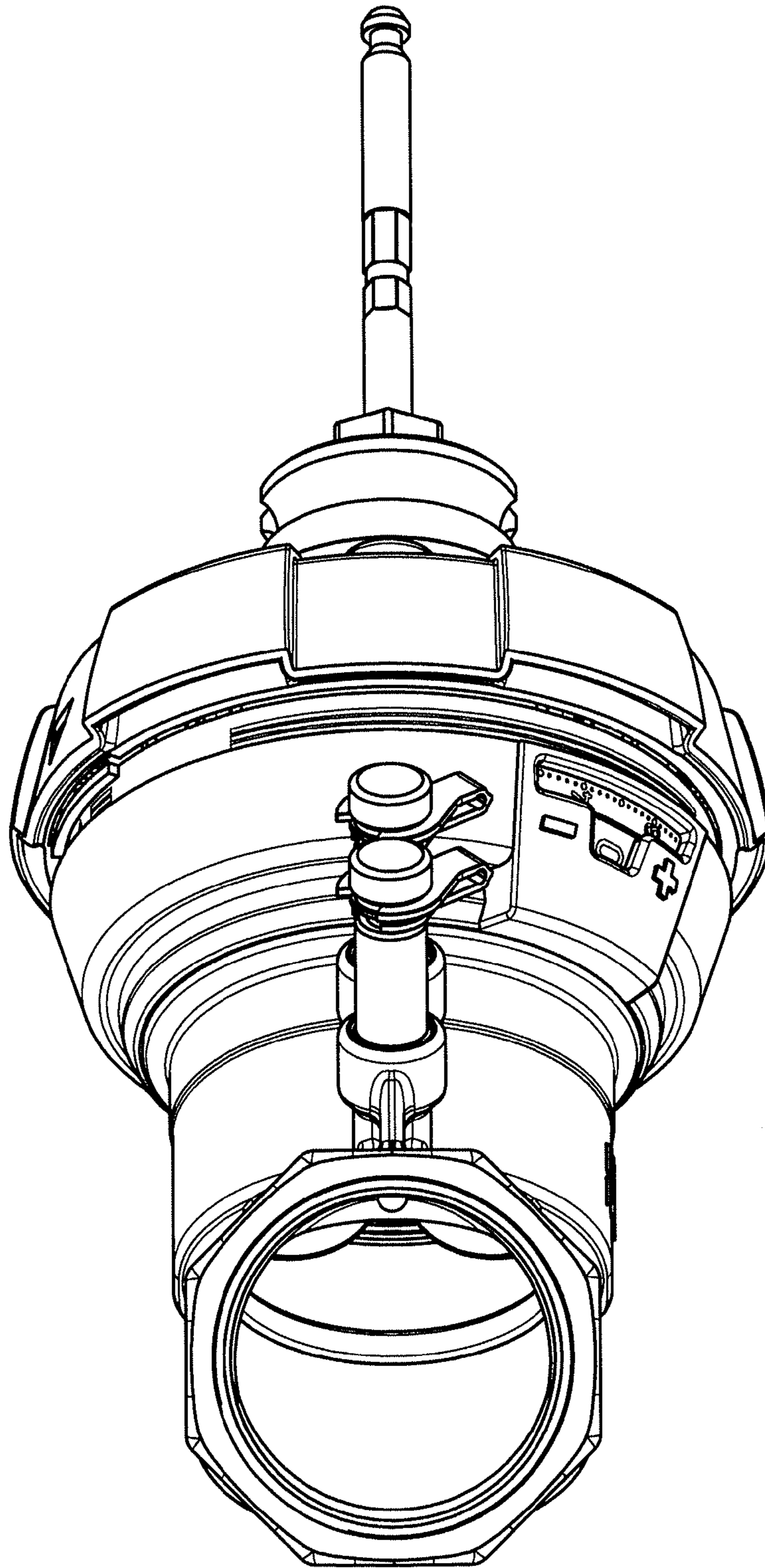


Fig.8