



US00D677362S

(12) **United States Design Patent**
Christopher

(10) **Patent No.:** **US D677,362 S**
(45) **Date of Patent:** **** Mar. 5, 2013**

(54) **HANDLE FOR A GARDEN HOSE NOZZLE**

D369,854 S * 5/1996 Wang D23/223
D372,297 S * 7/1996 Wang D23/223
D373,814 S * 9/1996 Wang D23/226

(75) Inventor: **Brent Christopher**, Centennial, CO
(US)

* cited by examiner

(73) Assignee: **Meridian International Co., Ltd.** (CN)

Primary Examiner — Robin V Webster

(**) Term: **14 Years**

(74) *Attorney, Agent, or Firm* — Jason R. Sytsma;
Shuttleworth & Ingersoll, PLC

(21) Appl. No.: **29/419,544**

(57) **CLAIM**

The ornamental design for the handle for a garden hose nozzle, shown and described.

(22) Filed: **Apr. 30, 2012**

DESCRIPTION

(51) **LOC (9) Cl.** **23-01**

(52) **U.S. Cl.** **D23/223**

(58) **Field of Classification Search** D23/213,
D23/223, 226, 229, 230; 239/452, 459, 526
See application file for complete search history.

FIG. 1 is a front and right-side perspective view of a handle for a garden hose nozzle according to the invention; FIG. 2 is a front view of the handle of FIG. 1; FIG. 3 is back view of the handle of FIG. 1; FIG. 4 is a right-side view of the handle of FIG. 1; FIG. 5 is a left-side view of the handle of FIG. 1; FIG. 6 is a top-side view of the handle of FIG. 1; and, FIG. 7 is a bottom-side view of the handle of FIG. 1.

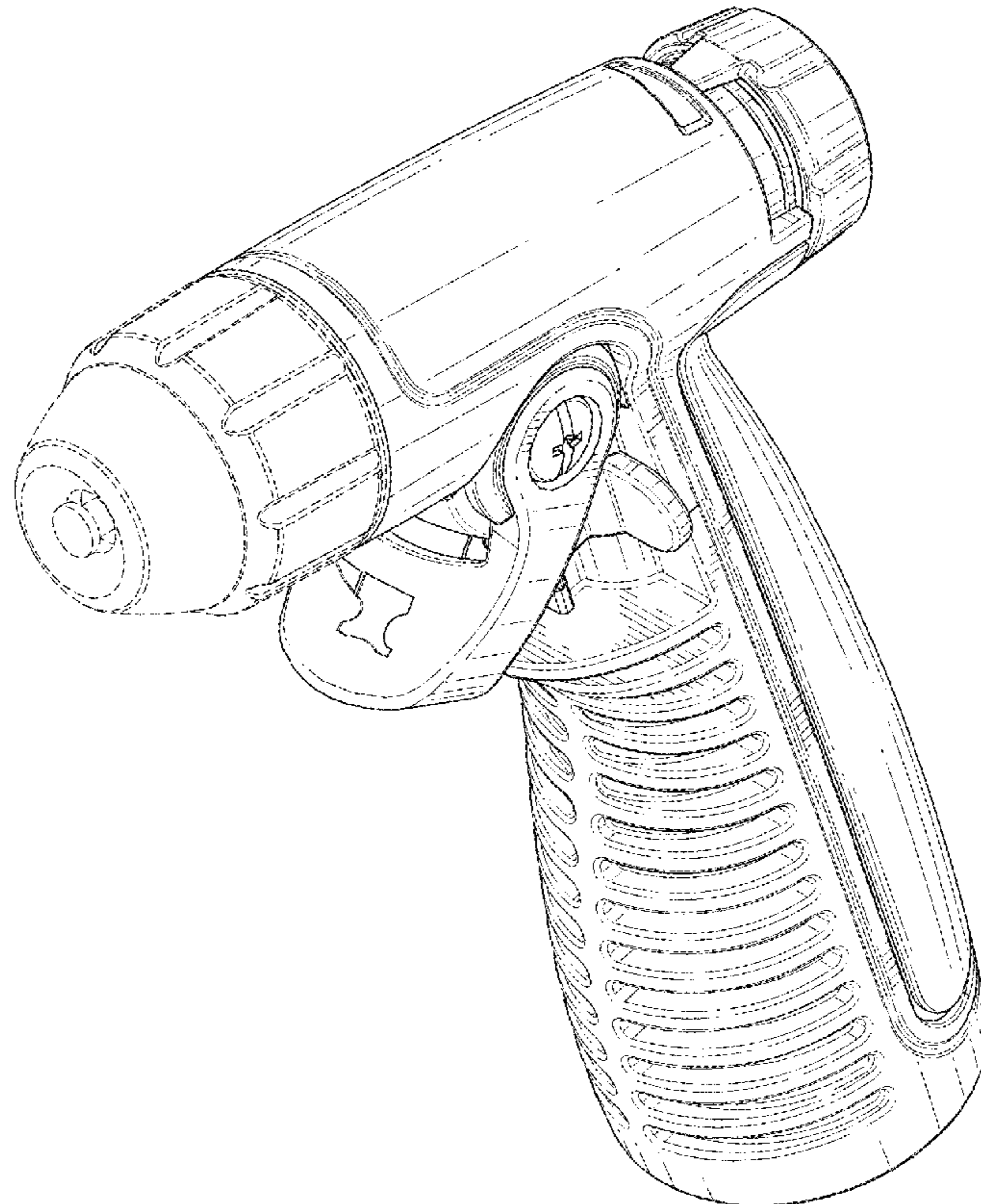
The broken lines are included for the purpose of illustrating a the environment in which the claimed invention is being used, which form no part of the claimed design.

(56) **References Cited**

U.S. PATENT DOCUMENTS

D305,454 S * 1/1990 Beal D23/226
D354,332 S * 1/1995 Wang D23/223
D369,206 S * 4/1996 Wang D23/223
D369,207 S * 4/1996 Wang D23/223
D369,852 S * 5/1996 Wang D23/223

1 Claim, 7 Drawing Sheets



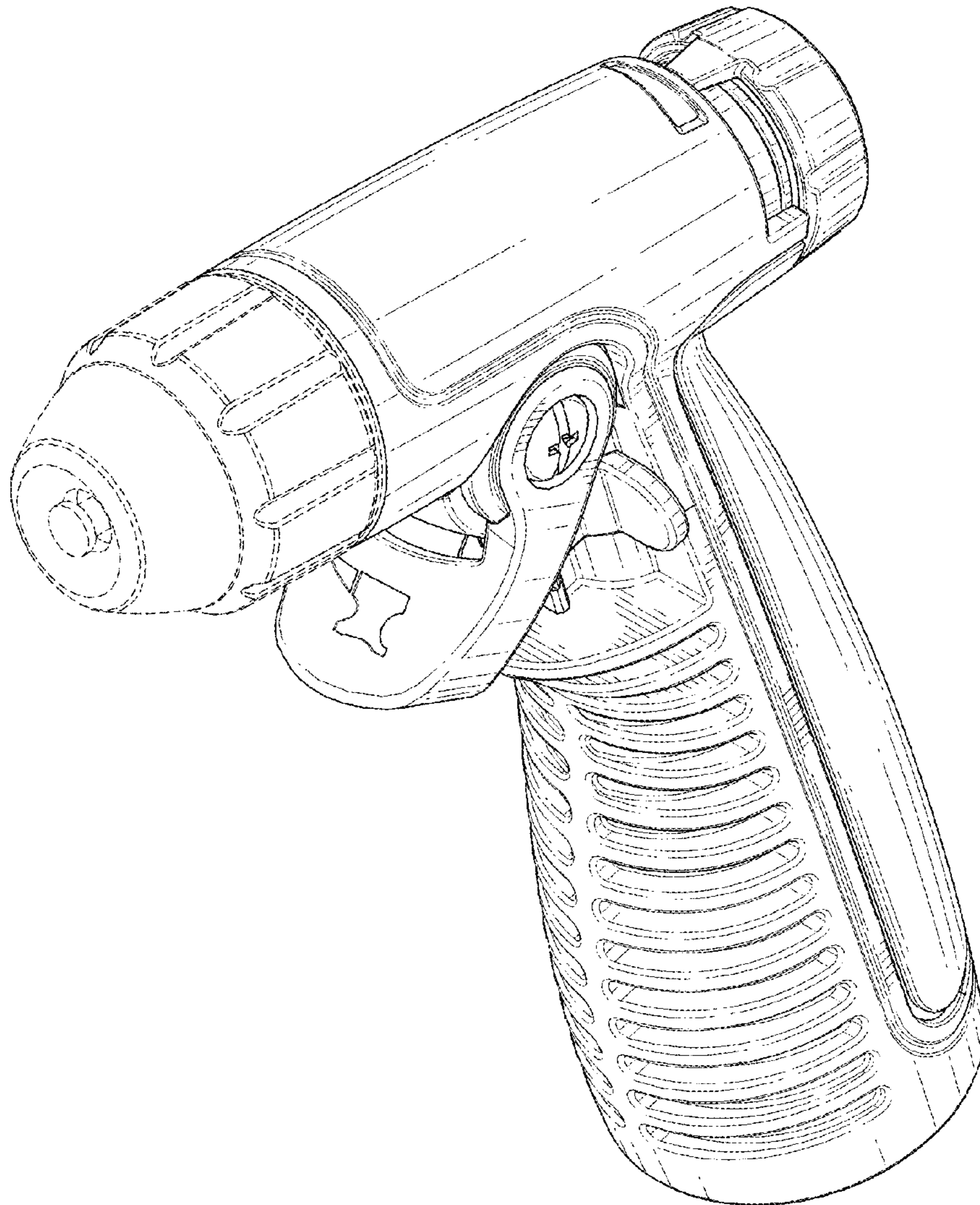


FIG. 1

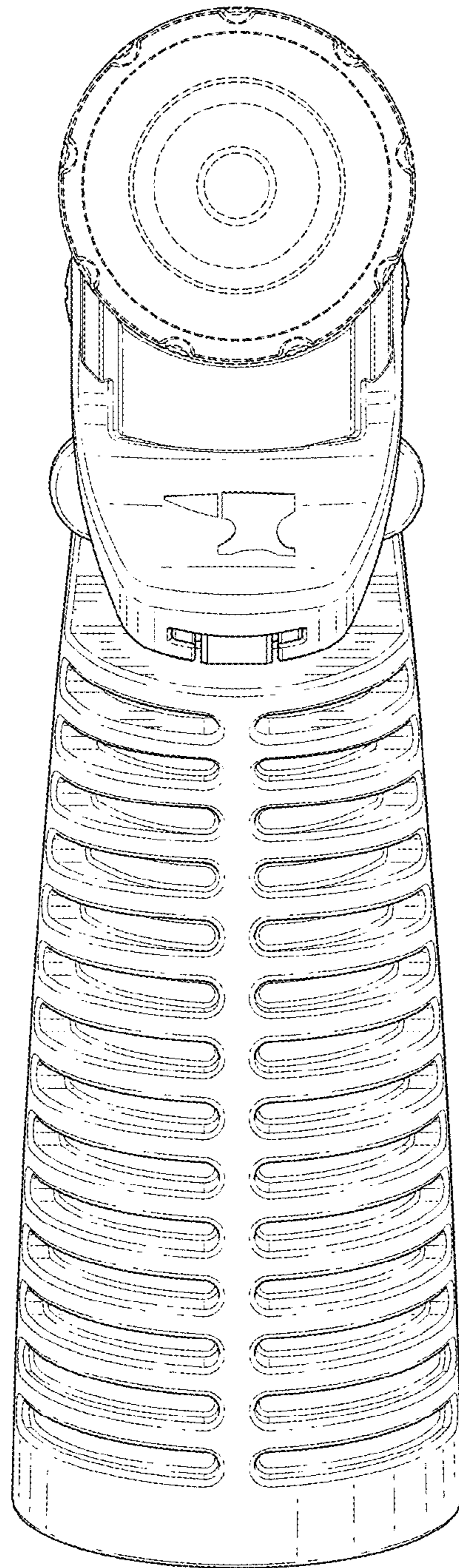


FIG. 2

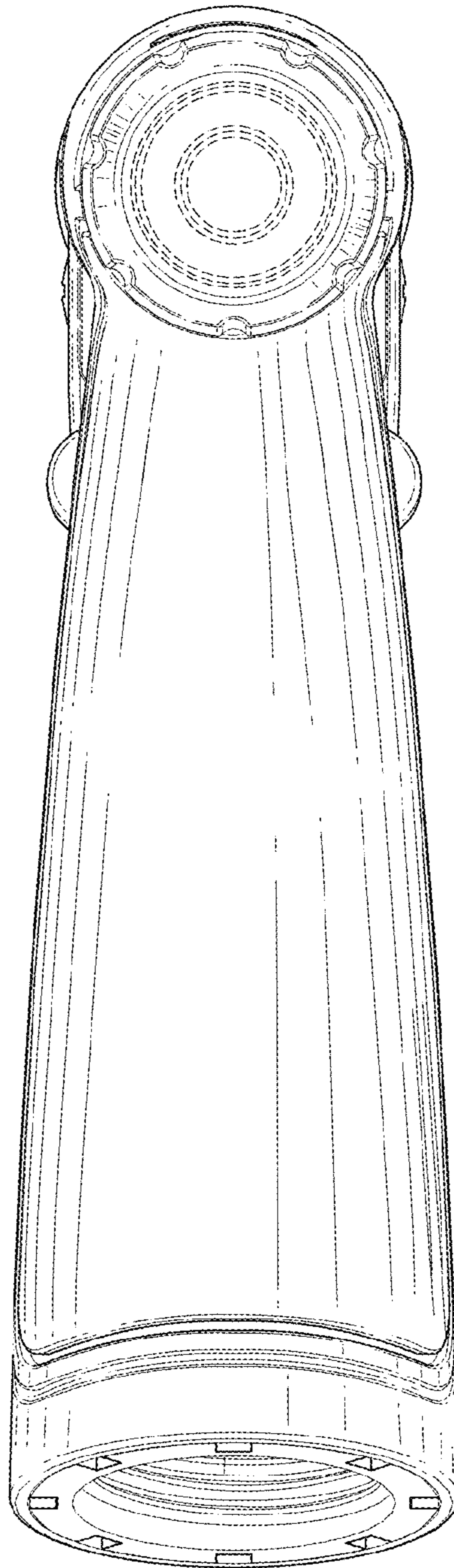


FIG. 3

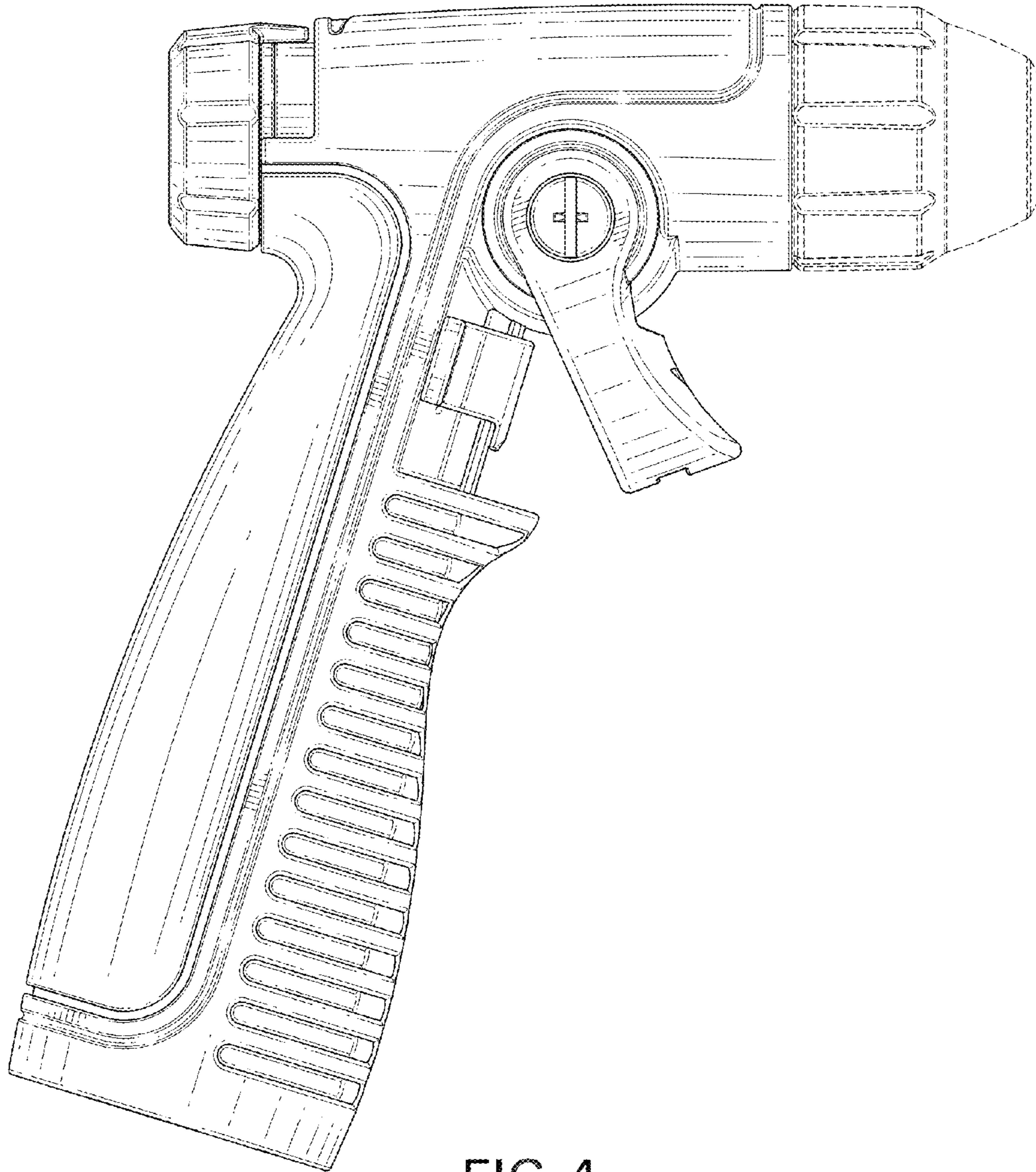


FIG. 4

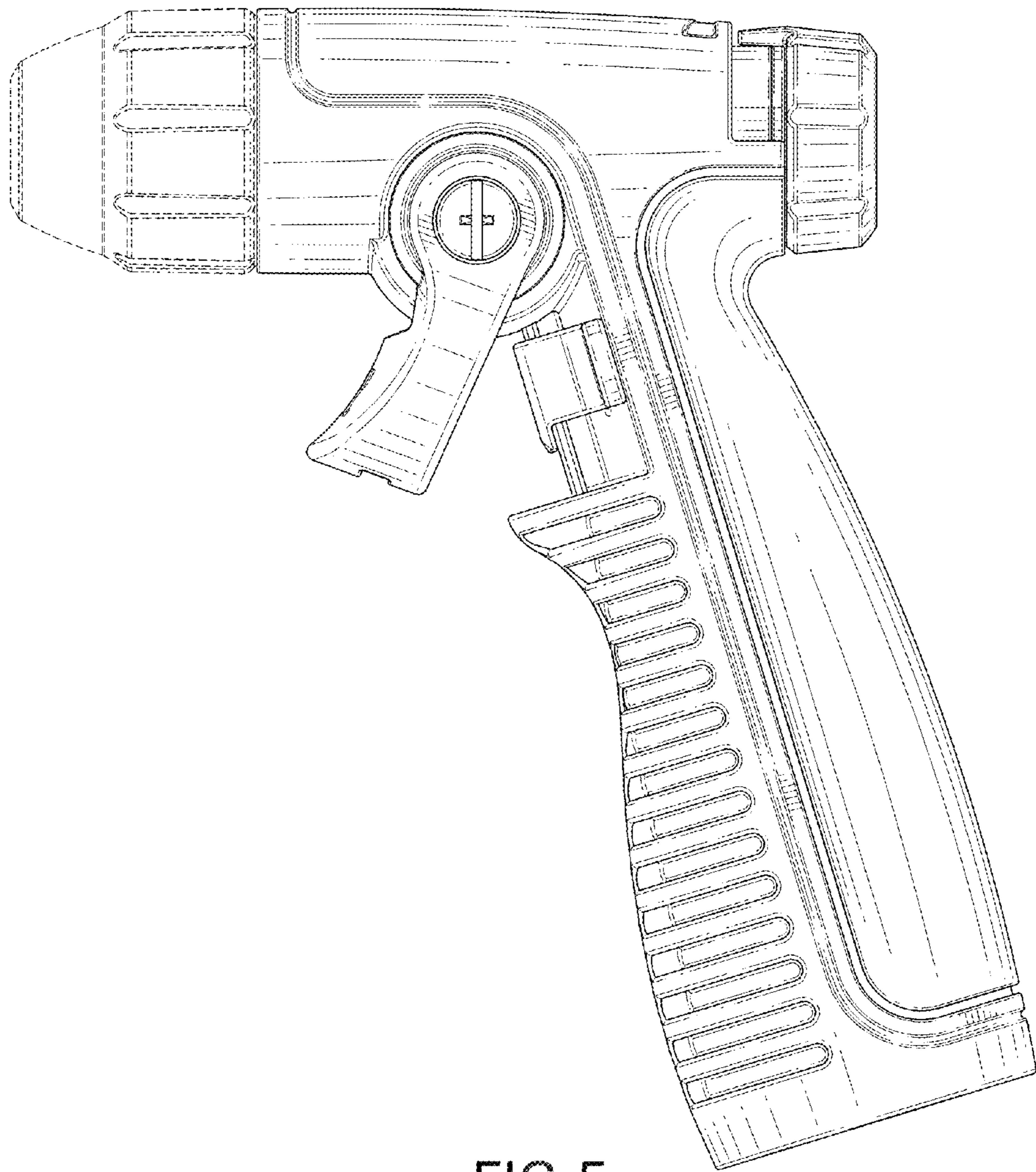


FIG. 5

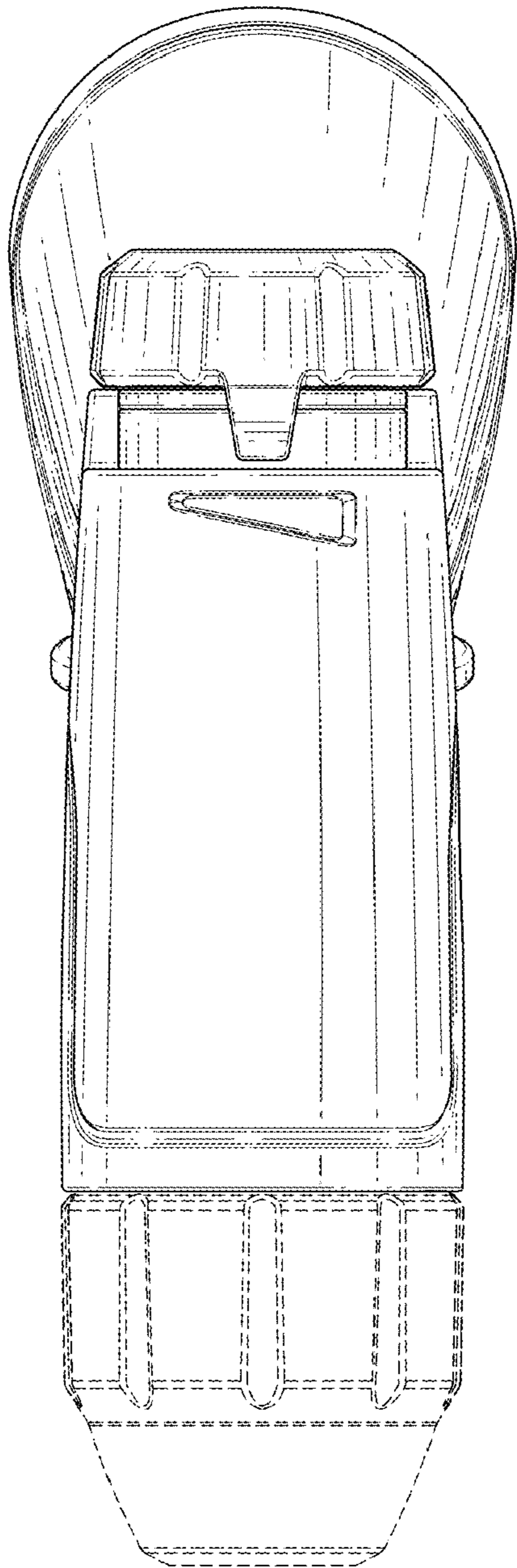


FIG. 6

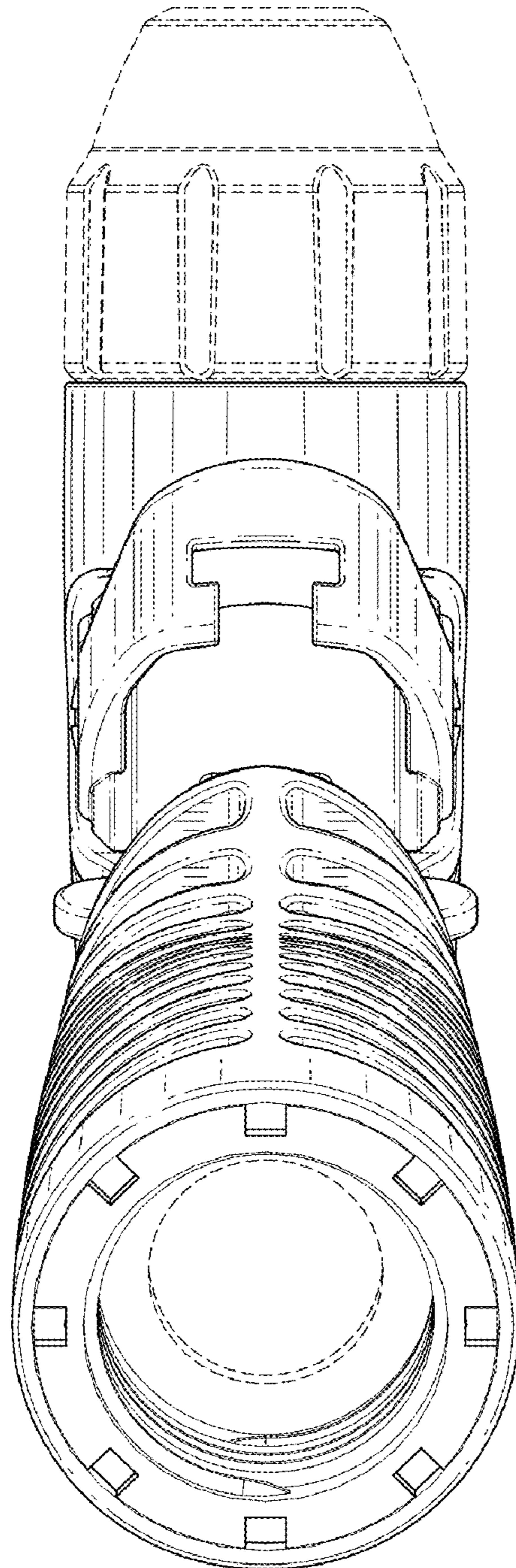


FIG. 7