



US00D677361S

(12) **United States Design Patent**  
**Christopher**

(10) **Patent No.:** **US D677,361 S**  
(45) **Date of Patent:** **\*\* Mar. 5, 2013**

(54) **GARDEN HOSE NOZZLE**

(75) Inventor: **Brent Christopher**, Centennial, CO  
(US)

(73) Assignee: **Meridian International Co., Ltd.** (CN)

(\*\*) Term: **14 Years**

(21) Appl. No.: **29/419,550**

(22) Filed: **Apr. 30, 2012**

(51) **LOC (9) Cl.** ..... **23-01**

(52) **U.S. Cl.** ..... **D23/213**

(58) **Field of Classification Search** ..... D23/213,  
D23/223, 226, 229, 230; 239/452, 459, 526  
See application file for complete search history.

(56) **References Cited**

U.S. PATENT DOCUMENTS

D624,156 S \* 9/2010 Leber ..... D23/230

\* cited by examiner

*Primary Examiner* — Robin V Webster

(74) *Attorney, Agent, or Firm* — Jason R. Sytsma;  
Shuttleworth & Ingersoll, PLC

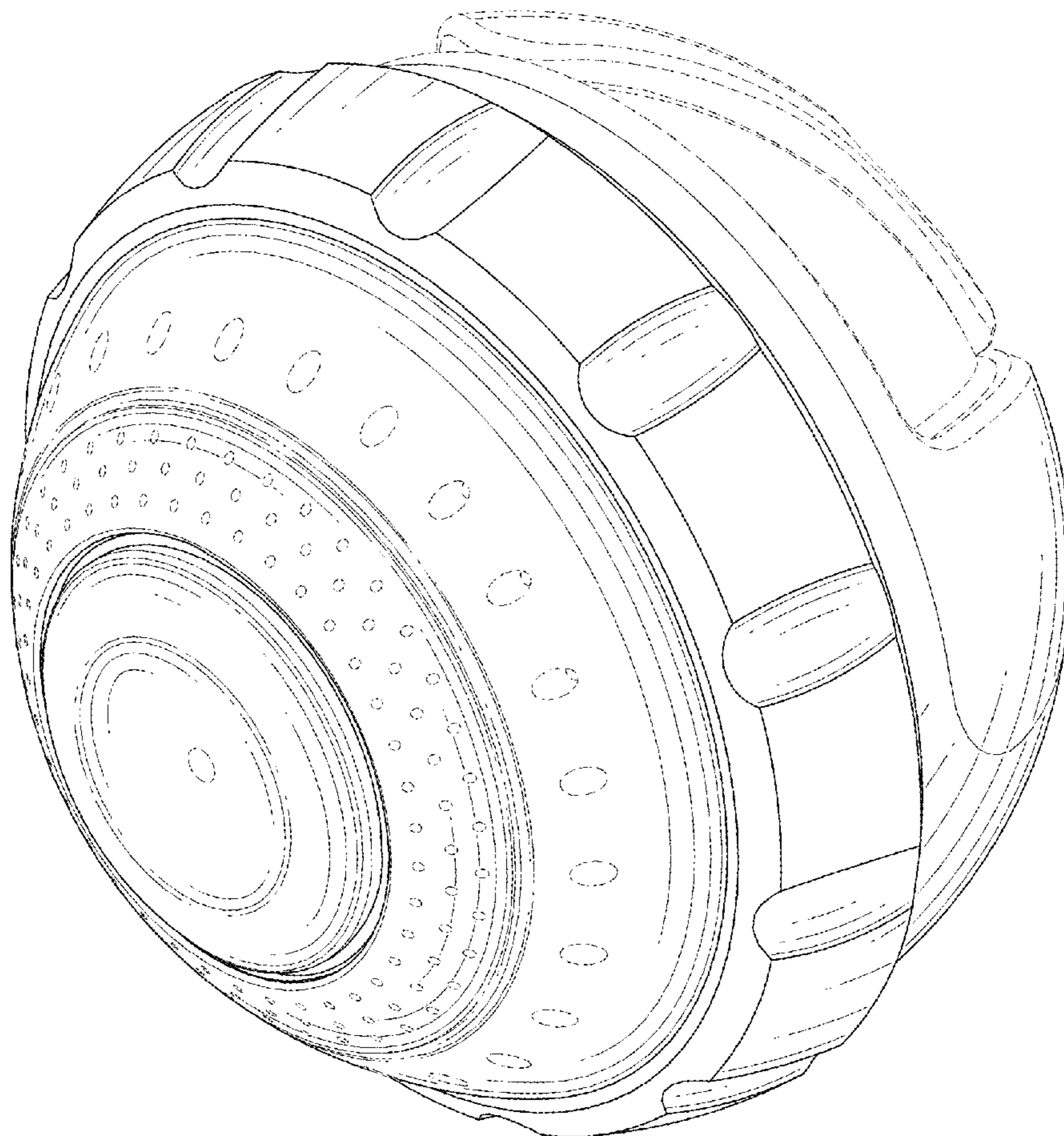
(57) **CLAIM**

The ornamental design for a garden hose nozzle, shown and described.

**DESCRIPTION**

FIG. 1 is a front and right-side perspective view of a garden hose nozzle according to the invention;  
FIG. 2 is a front view of the garden hose nozzle of FIG. 1;  
FIG. 3 is back view of the garden hose nozzle of FIG. 1;  
FIG. 4 is a right-side view of the garden hose nozzle of FIG. 1;  
FIG. 5 is a left-side view of the garden hose nozzle of FIG. 1;  
FIG. 6 is a top-side view of the garden hose nozzle of FIG. 1;  
and,  
FIG. 7 is a bottom-side view of the garden hose nozzle of FIG. 1.  
The broken lines are included for the purpose of illustrating a the environment in which the claimed invention is being used, which form no part of the claimed design.

**1 Claim, 7 Drawing Sheets**



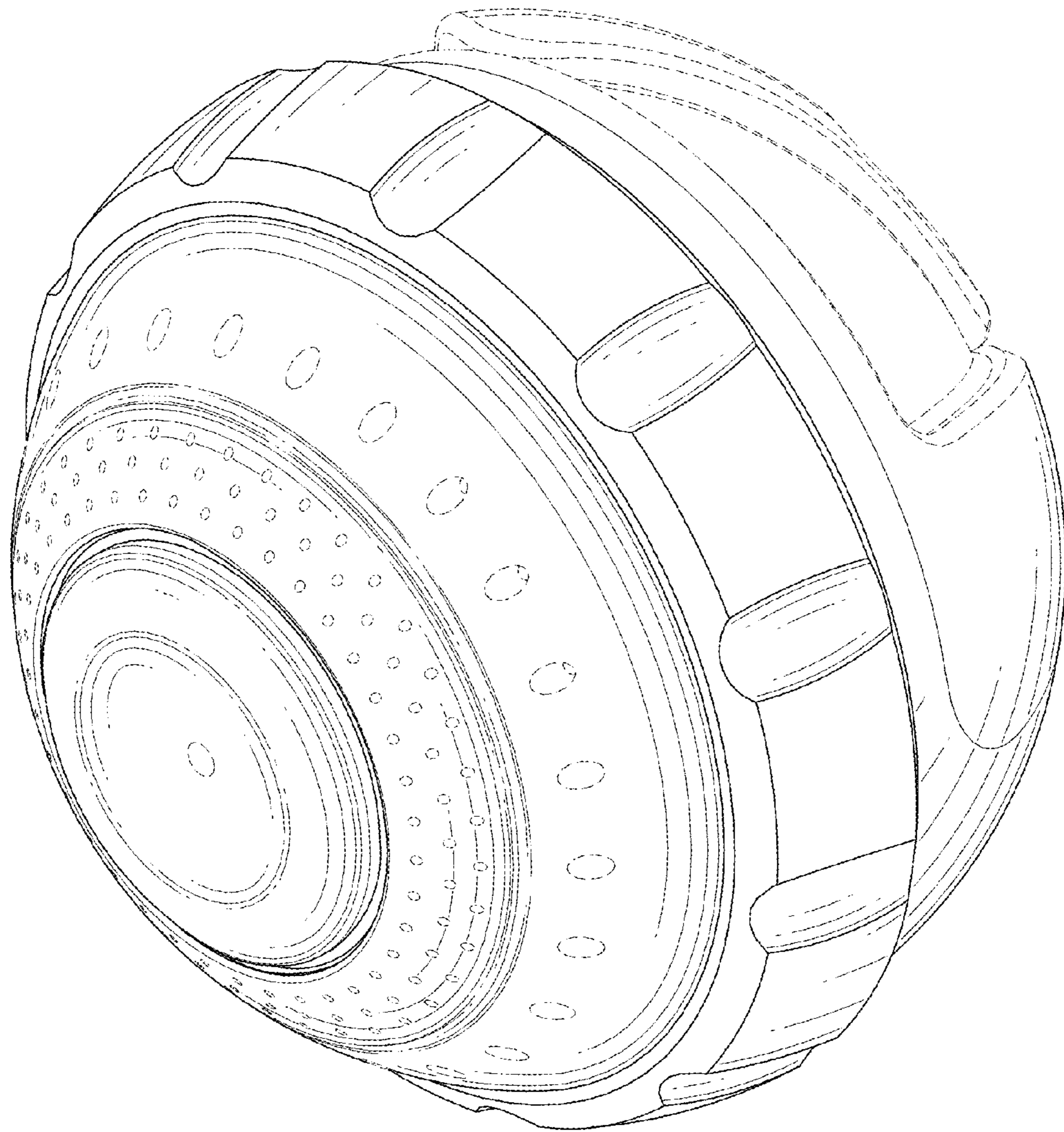


FIG. 1

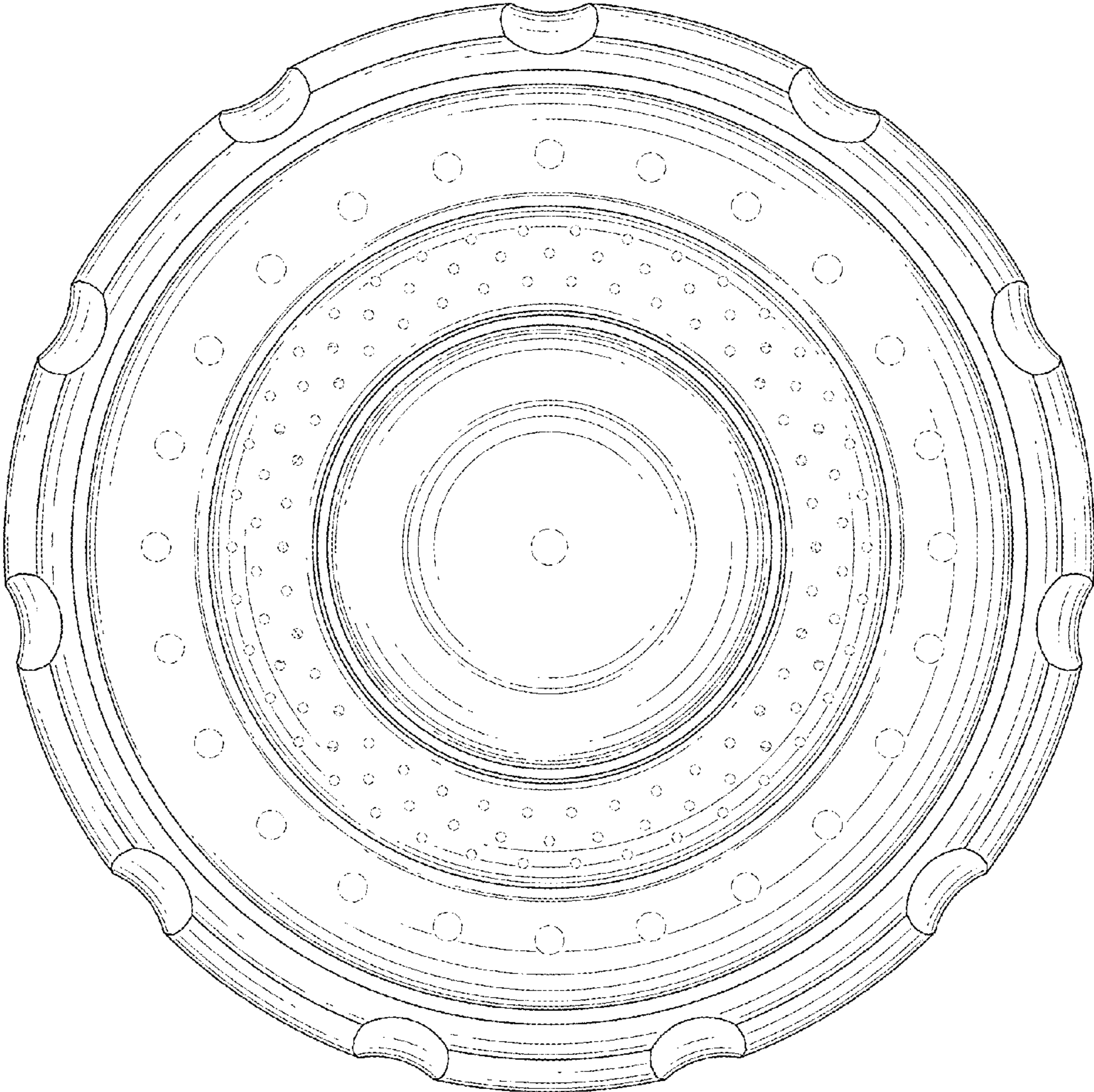


FIG.2

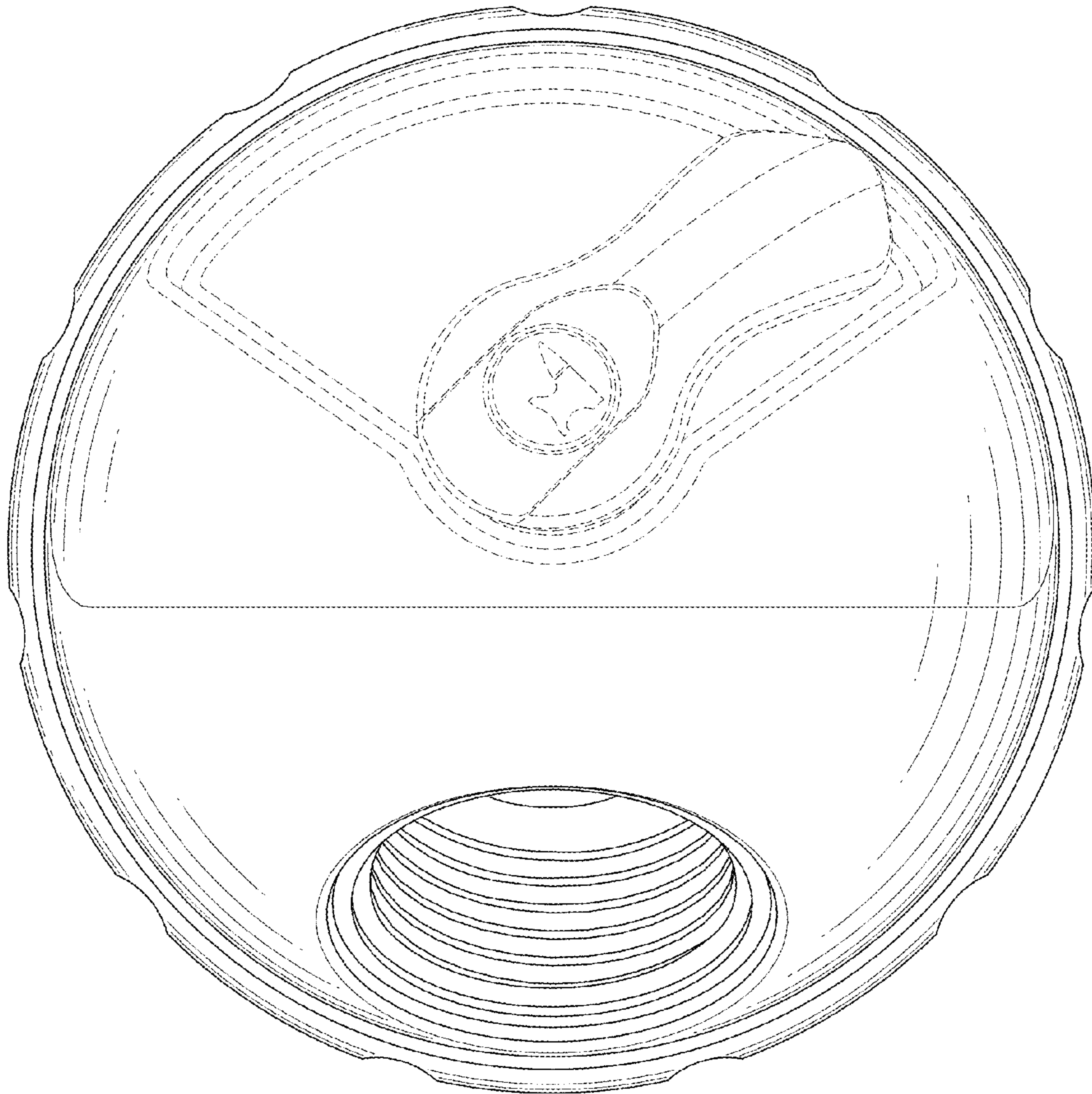


FIG.3

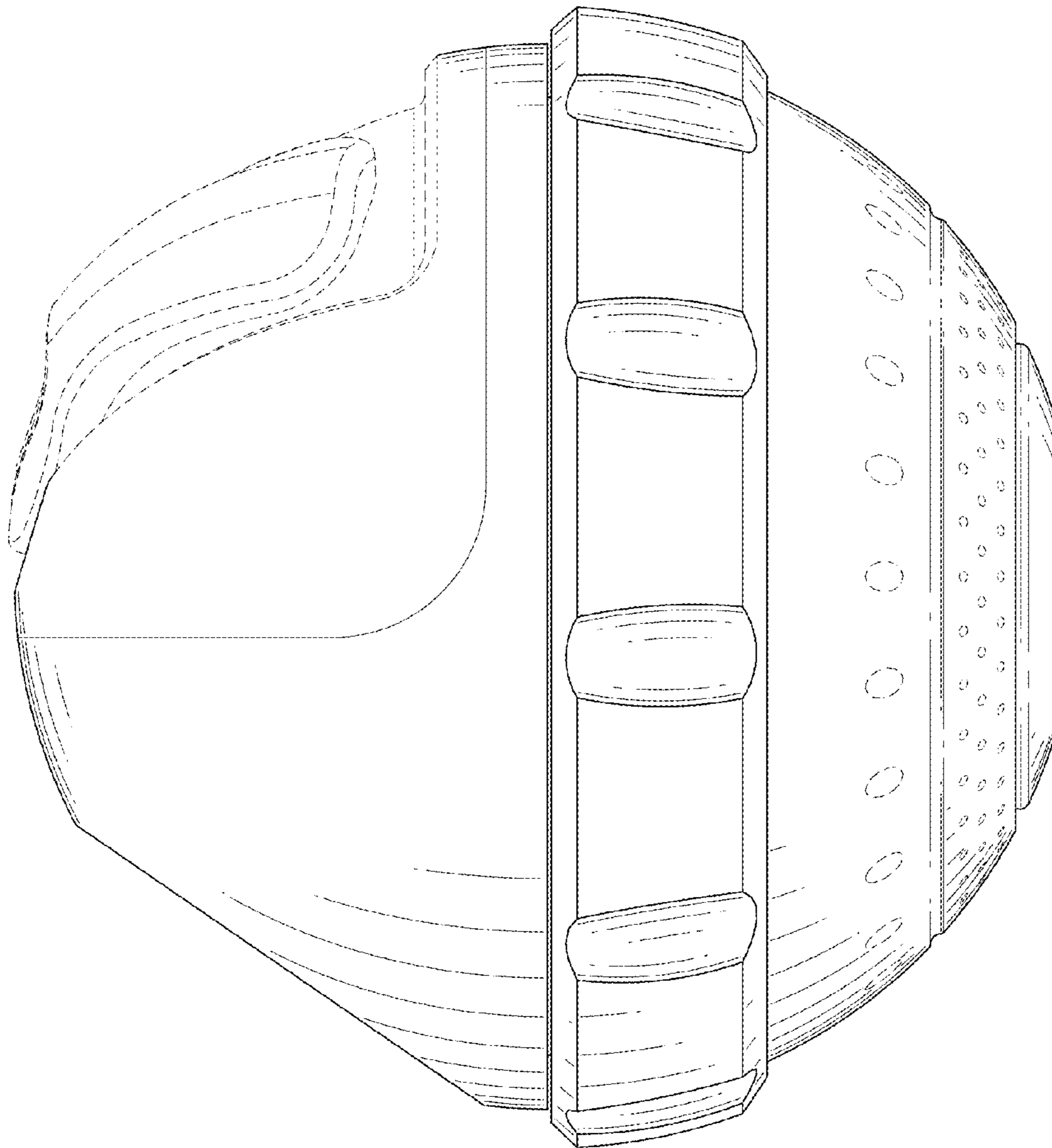


FIG.4

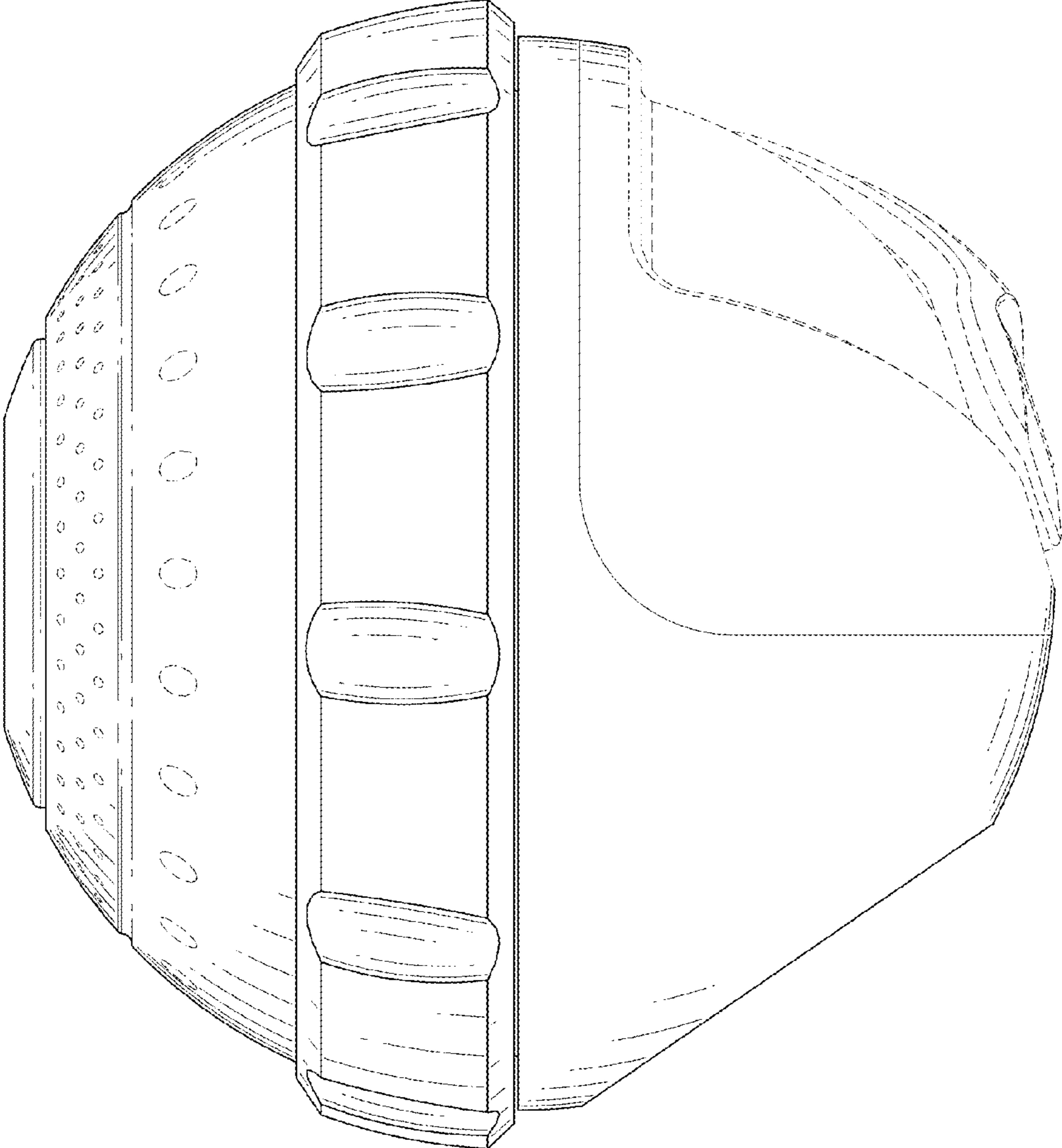


FIG.5

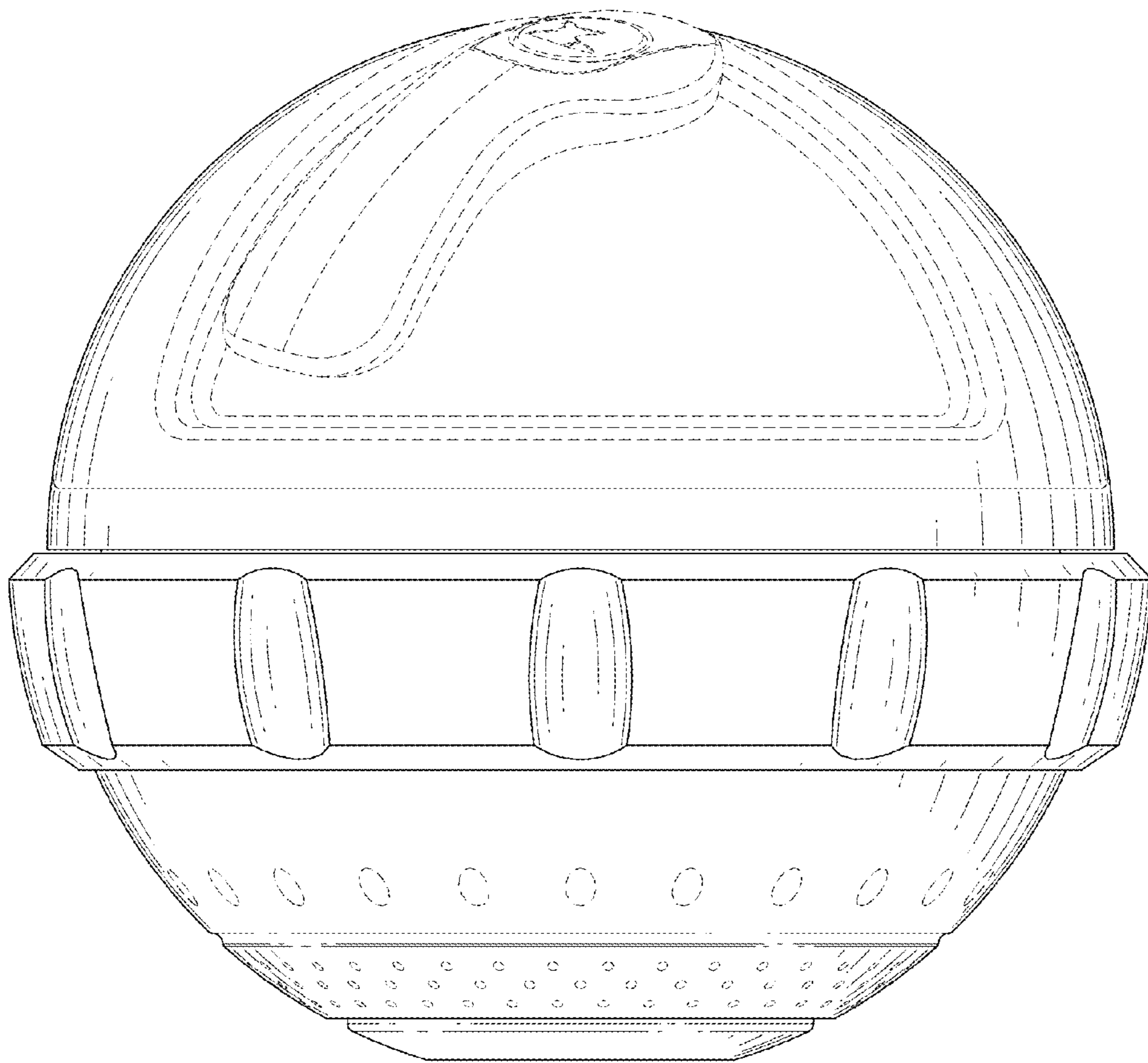


FIG.6

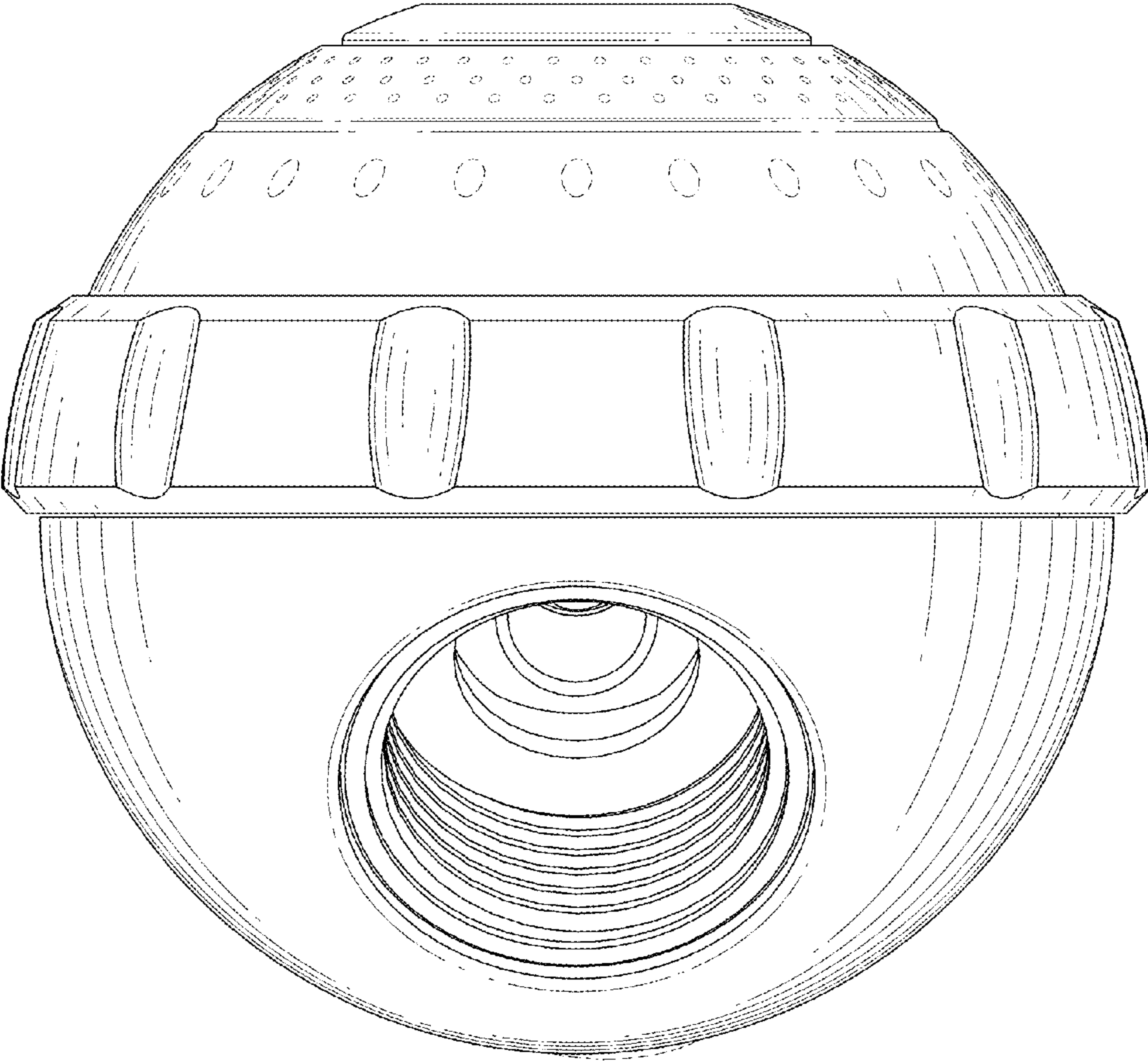


FIG. 7