



US00D677357S

(12) **United States Design Patent**
Dueck et al.

(10) **Patent No.:** **US D677,357 S**
(45) **Date of Patent:** **** Mar. 5, 2013**

(54) **SUPPRESSOR**

(75) Inventors: **Barry W. Dueck**, Sunset Beach, CA (US); **Karl R. Honigmann**, Anaheim Hills, CA (US)

(73) Assignee: **SureFire, LLC**, Fountain Valley, CA (US)

(**) Term: **14 Years**

(21) Appl. No.: **29/404,801**

(22) Filed: **Oct. 25, 2011**

(51) **LOC (9) Cl.** **22-01**

(52) **U.S. Cl.** **D22/108**

(58) **Field of Classification Search** D22/108;
89/14.05-14.5; 42/76.01-76.1
See application file for complete search history.

(56) **References Cited**

U.S. PATENT DOCUMENTS

615,279 A	12/1898	Jones
720,688 A	2/1903	Hagedorn
1,054,434 A	2/1913	Maxim
1,143,814 A	6/1915	De Vries
1,354,416 A	9/1920	Oliver
1,394,490 A	10/1921	Giles
1,872,048 A	8/1932	Thomas, Jr.
2,104,075 A	4/1938	Moore
2,222,334 A	11/1940	Brouwer
2,267,252 A	12/1941	Pitsch
2,412,409 A	12/1946	Martin
2,628,854 A	2/1953	Gardner
2,712,193 A	7/1955	Mathis
2,807,112 A	9/1957	Garand
2,809,560 A	10/1957	Matson et al.
2,848,814 A	8/1958	Walton
2,859,058 A	11/1958	Traugott
2,953,972 A	9/1960	Sorensen
3,029,540 A	4/1962	Pachmayr
3,075,792 A	1/1963	Franck
3,123,929 A	3/1964	Pachmayr et al.
3,163,953 A	1/1965	Bridge, Sr.
3,257,108 A	6/1966	Pachmayr et al.
3,259,407 A	7/1966	Welt
3,385,613 A	5/1968	McCall

3,440,924 A	4/1969	Sawyer
3,698,747 A	10/1972	Wing et al.
3,766,822 A	10/1973	Sophinos
4,134,175 A	1/1979	Contoyanis
4,429,614 A	2/1984	Tocco
4,570,529 A *	2/1986	A'Costa 89/14.2
5,092,223 A	3/1992	Hudson
5,155,915 A	10/1992	Repa
5,259,690 A	11/1993	Legge

(Continued)

FOREIGN PATENT DOCUMENTS

EP	0 928 943 A2	7/1999
EP	103 05 644 B3	5/2004

(Continued)

OTHER PUBLICATIONS

Gemtech Division of Gemini Technologies, Inc., Halo Centerfire Rifle Suppressors, 3 internet web pages, copyright 2005 (webpages accessed Jun. 28, 2005).

(Continued)

Primary Examiner — Michael A Pratt

(74) *Attorney, Agent, or Firm* — Haynes and Boone, LLP

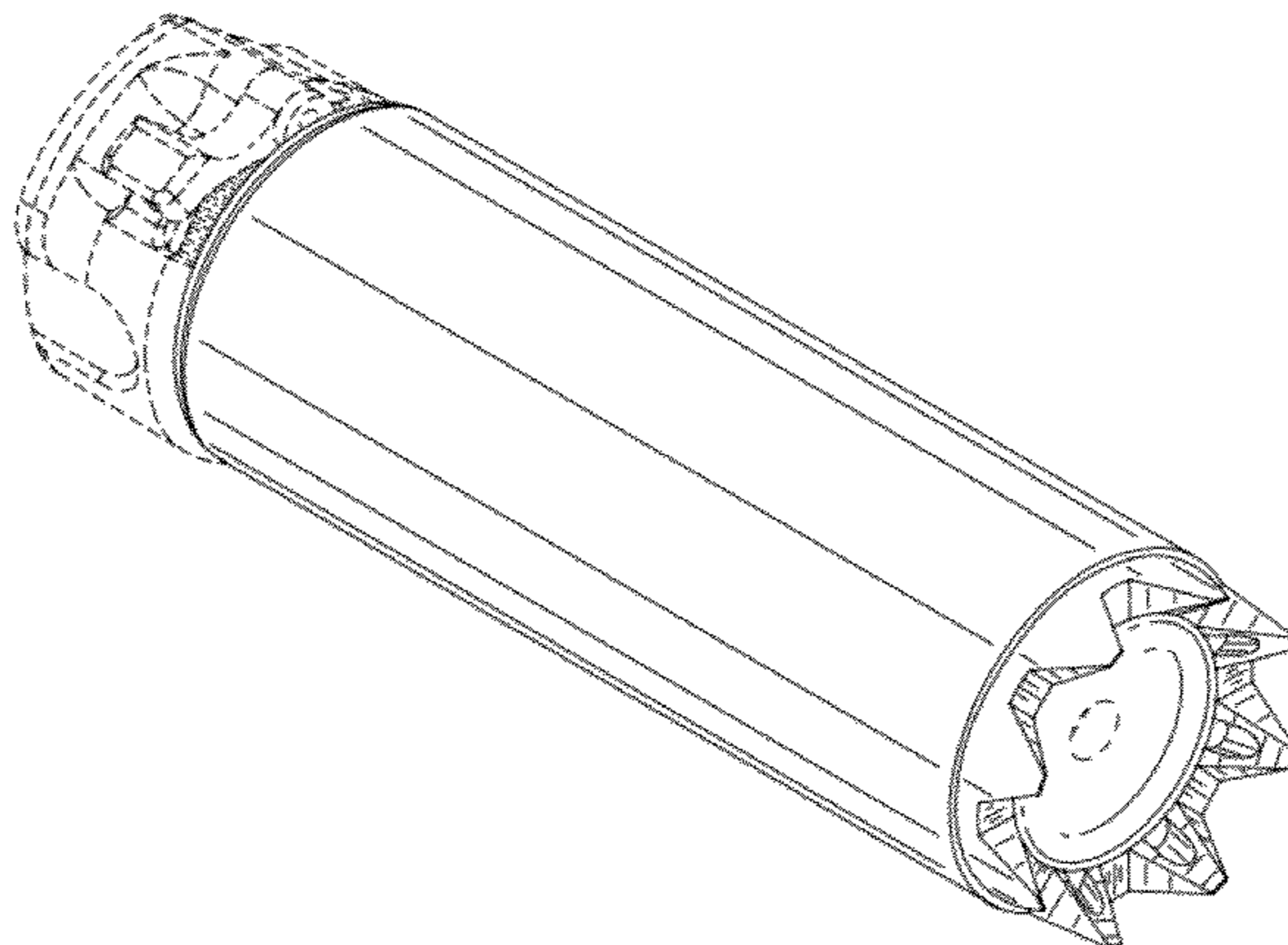
(57) **CLAIM**

The ornamental design for a suppressor, as shown and described.

DESCRIPTION

FIG. 1 is a front-left side-top perspective view of a suppressor showing our new design;
FIG. 2 is a rear-right side-bottom perspective view thereof;
FIG. 3 is a front plan view thereof;
FIG. 4 is a rear plan view thereof.
FIG. 5 is a left side elevational view thereof.
FIG. 6 is a right side elevational view thereof;
FIG. 7 is a top side elevational view thereof; and,
FIG. 8 is a bottom side elevational view thereof.
The dashed lines are shown for the purpose of illustrating environmental matters and form no part of the claimed design.

1 Claim, 8 Drawing Sheets



US D677,357 S

Page 2

U.S. PATENT DOCUMENTS

5,356,183 A 10/1994 Cole
5,375,361 A 12/1994 Rustick
5,377,438 A 1/1995 Sheinfeld et al.
5,433,133 A 7/1995 LaFrance
5,513,554 A 5/1996 Paulsson
5,559,302 A 9/1996 Latka
5,685,102 A 11/1997 Latka
5,773,746 A 6/1998 Vaden
6,026,728 A 2/2000 Guhring et al.
6,216,578 B1 4/2001 Ledys et al.
6,276,251 B1 8/2001 Downing et al.
6,289,623 B1 9/2001 Cohen et al.
6,385,891 B1 5/2002 Rabatin
6,412,389 B2 7/2002 Fluhr
6,450,079 B1 9/2002 Bourdin et al.
6,516,698 B1 2/2003 Poff, Jr.
6,948,415 B2 9/2005 Matthews et al.
7,321,175 B2 1/2008 Culpi et al.
D577,409 S * 9/2008 Brittingham D22/108
7,578,090 B1 * 8/2009 Romaszka 42/96
7,588,122 B2 9/2009 Brittingham
7,594,464 B2 9/2009 Dueck
7,661,349 B1 2/2010 Brittingham
7,676,976 B2 3/2010 Dueck et al.

7,677,150 B2 3/2010 Dater et al.
7,854,085 B1 * 12/2010 Hodgkins et al. 42/85
7,891,282 B1 * 2/2011 DeGroat 89/14.4
8,091,462 B2 * 1/2012 Dueck et al. 89/14.05
2001/0049996 A1 12/2001 Fluhr
2003/0019352 A1 1/2003 Mika
2005/0115394 A1 6/2005 Matthews et al.
2006/0060076 A1 3/2006 Dueck et al.
2010/0199834 A1 8/2010 Dueck et al.
2011/0088540 A1 * 4/2011 Brittingham et al. 89/14.5
2012/0180623 A1 * 7/2012 Graham et al. 89/14.4

FOREIGN PATENT DOCUMENTS

EP 1 742 008 A1 1/2007
GB 2 242 476 A 10/1991

OTHER PUBLICATIONS

Remington Arms Company, Inc., M24 Sniper Weapon Sysyem, 3 internet web pages, copyright 2004 (webpages accessed Jun. 28, 2005).

Brugger & Thomet AG (Switzerland), unpublished drawing No. SD-988201, drawn May 7, 2002.

* cited by examiner

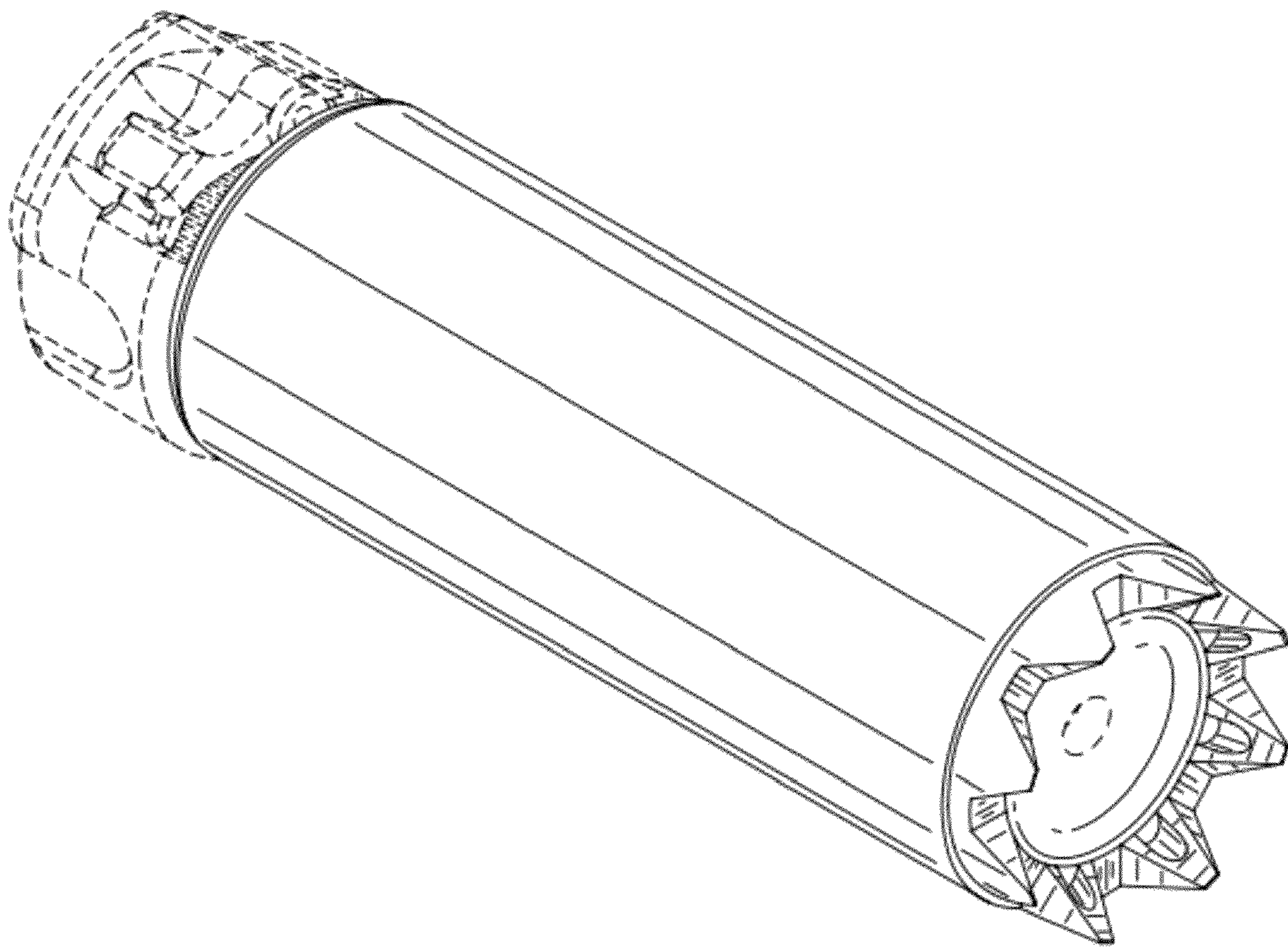


FIG. 1

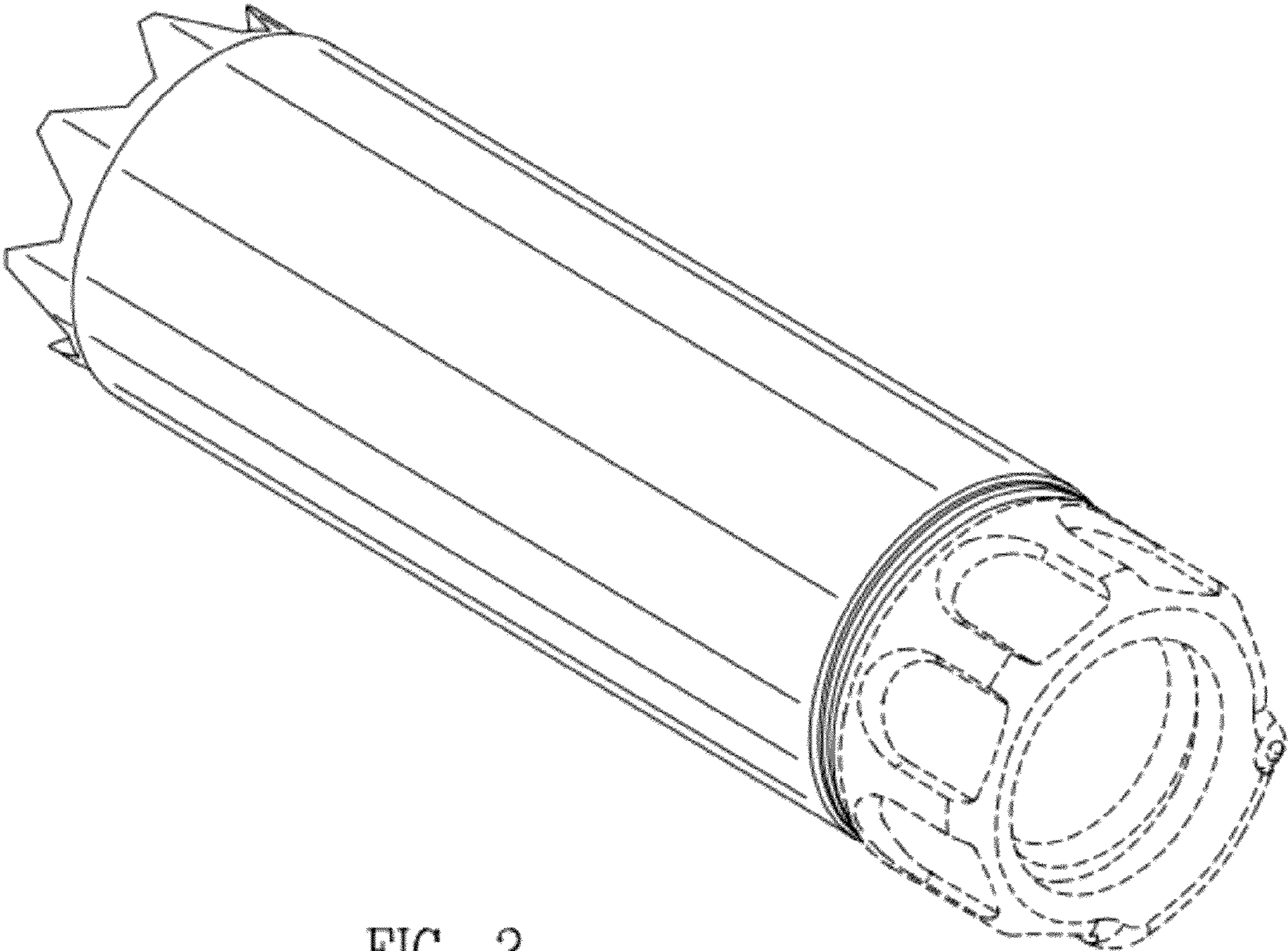


FIG. 2



FIG. 3

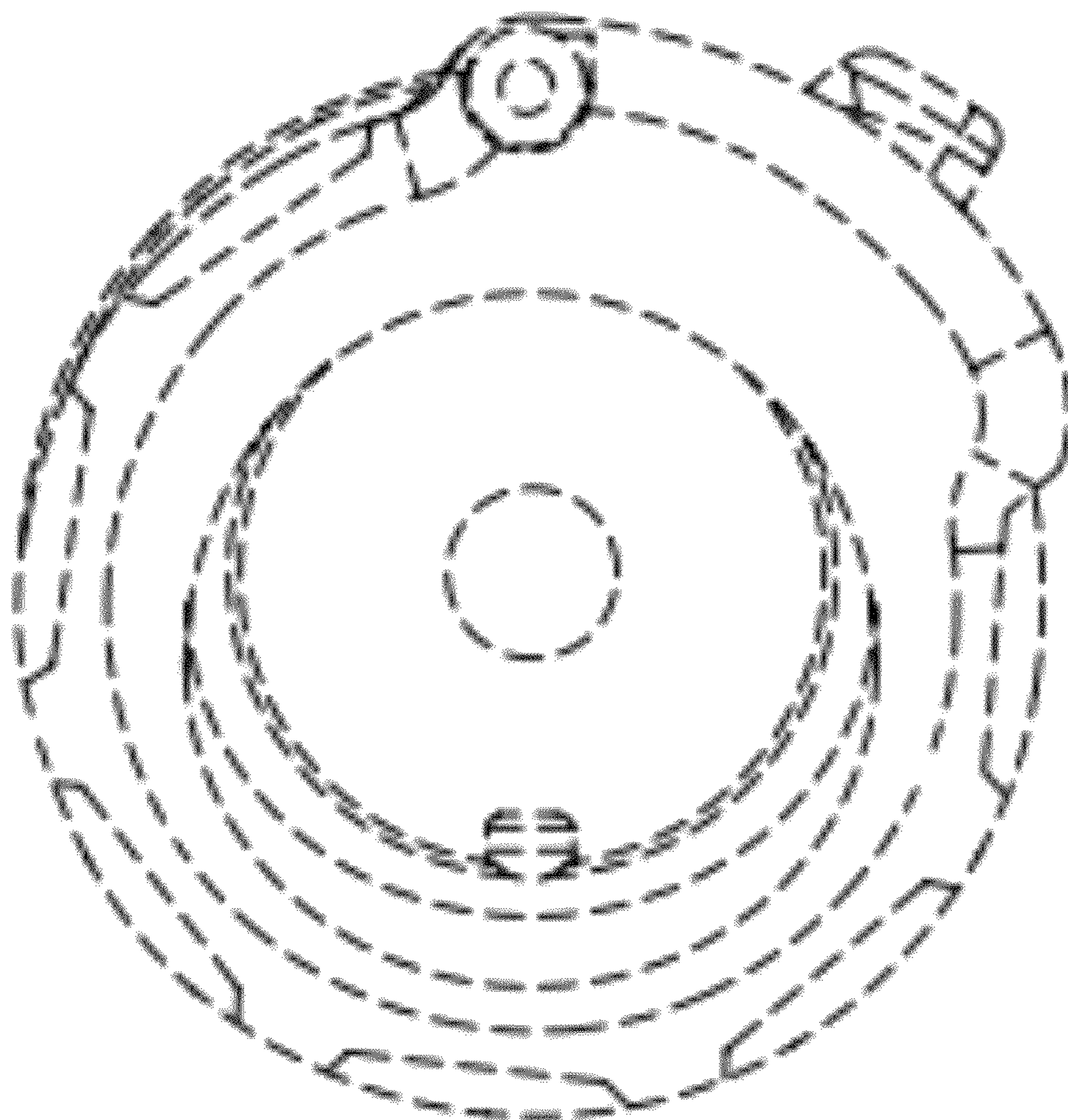


FIG. 4

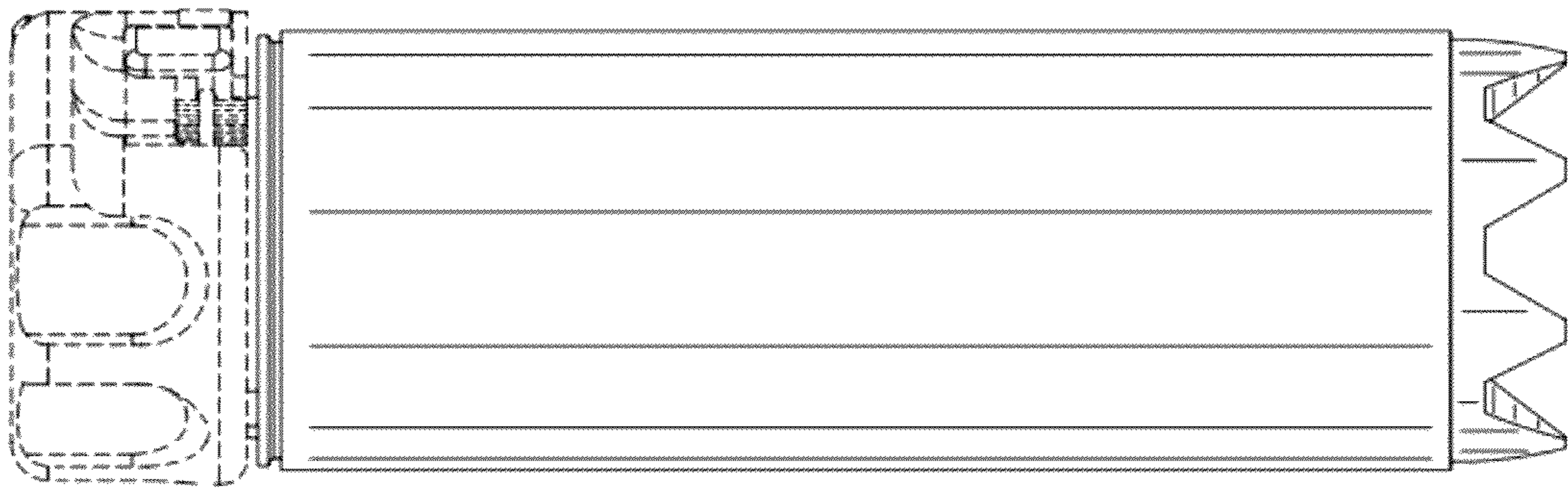


FIG. 5

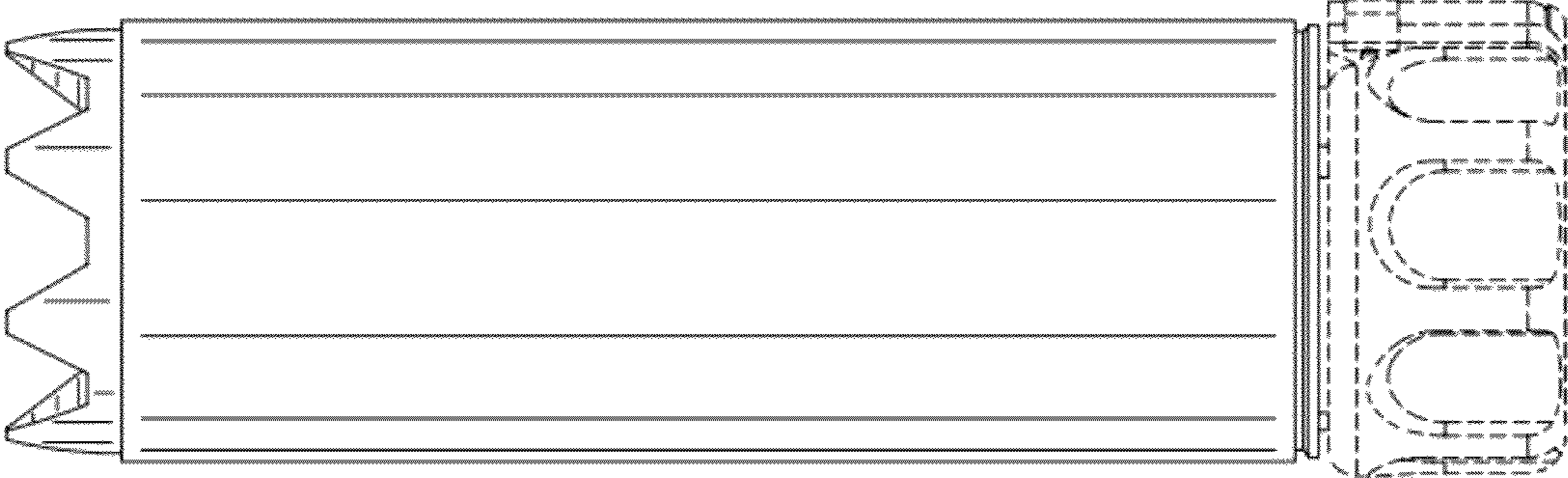


FIG. 6

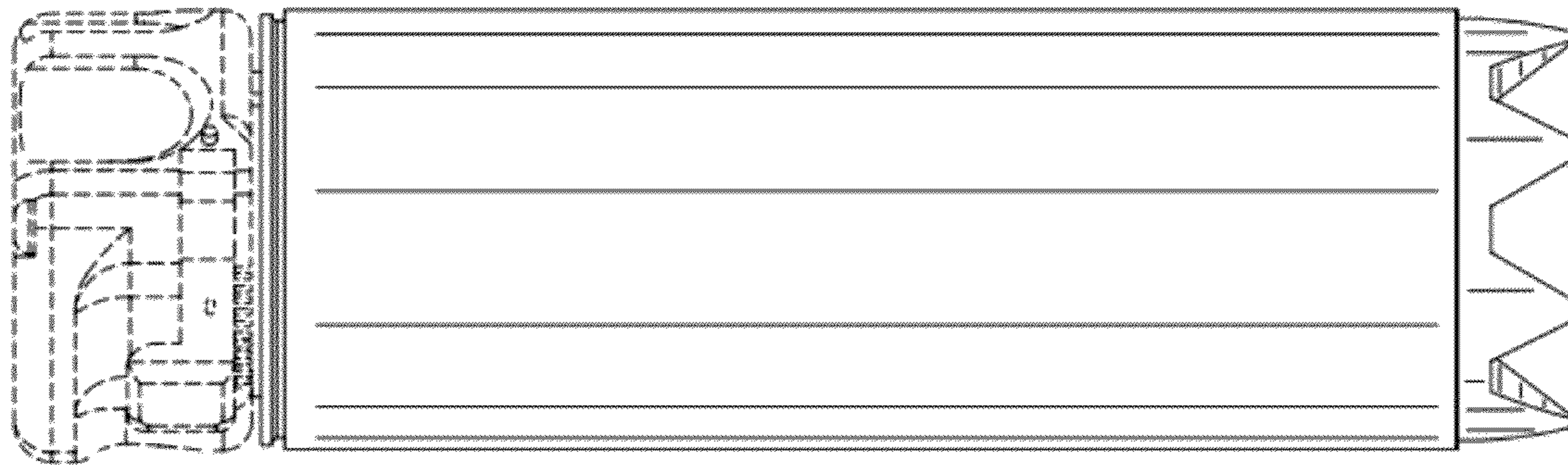


FIG. 7

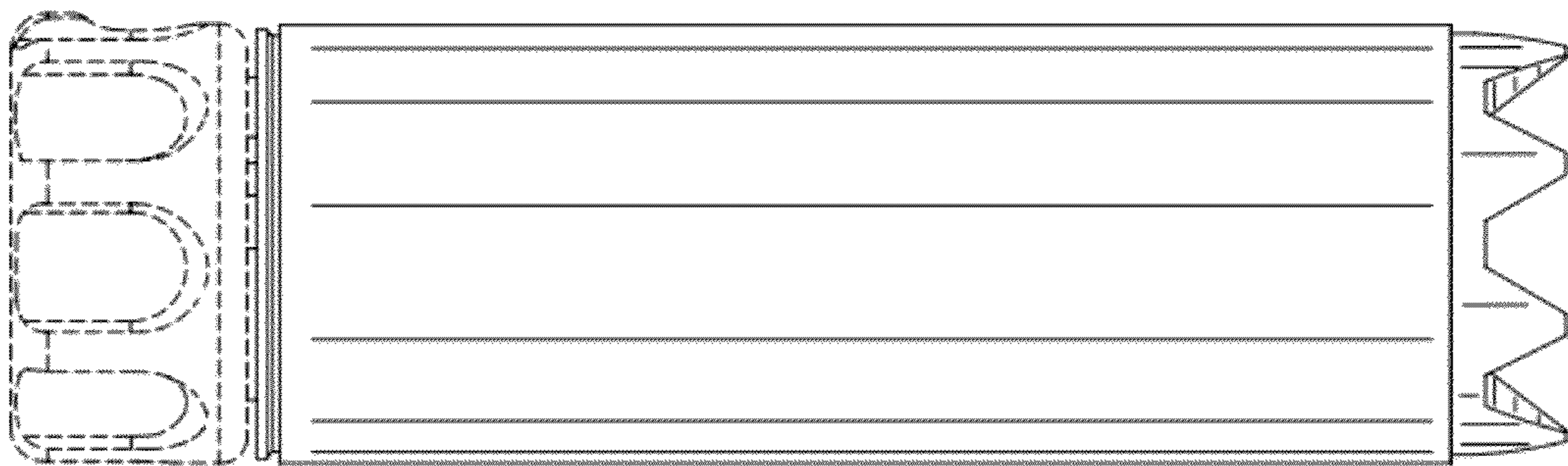


FIG. 8