



US00D677355S

(12) **United States Design Patent**
Buie, II

(10) **Patent No.:** **US D677,355 S**
(45) **Date of Patent:** **** Mar. 5, 2013**

- (54) **HANDLE FOR FIREARM MAINTENANCE**
- (75) Inventor: **James H. Buie, II**, Little Rock, AR (US)
- (73) Assignee: **DAC Technologies Group International, Inc**, Miami Beach, FL (US)
- (**) Term: **14 Years**
- (21) Appl. No.: **29/374,348**
- (22) Filed: **Aug. 3, 2011**
- (51) **LOC (9) Cl.** **22-01**
- (52) **U.S. Cl.** **D22/108; D22/199**
- (58) **Field of Classification Search** **D22/108, D22/199; D8/82-87, 107; 81/3.05, 177.1, 81/433, 436-439, 489; D16/430; 135/139; 16/110.1**

See application file for complete search history.

(56) **References Cited**

U.S. PATENT DOCUMENTS

816,959 A	4/1906	Briganti	
1,495,008 A	5/1924	Feagin	
1,769,967 A *	7/1930	Saurman et al.	174/22 R
2,058,756 A *	10/1936	Ayer	242/564
2,744,275 A	5/1956	Geltner	
2,744,635 A	5/1956	Hiss	
D192,047 S	1/1962	Farmer	
3,064,294 A	11/1962	Stocking	
3,076,904 A *	2/1963	Kuris et al.	310/26
D223,874 S	6/1972	Ellis	
3,813,802 A	6/1974	Di Prospero	
3,894,766 A *	7/1975	Woodward	296/104
4,239,318 A *	12/1980	Schwartz	439/607.18
D268,987 S	5/1983	Smith	
4,399,627 A	8/1983	Malesky	
4,499,625 A	2/1985	Bottomley	
4,521,356 A *	6/1985	Keller et al.	264/600
4,716,673 A	1/1988	Williams	
4,807,381 A	2/1989	Southard	
4,873,777 A	10/1989	Southard	
4,899,415 A	2/1990	Wheeler	
4,901,464 A	2/1990	Banoun	
4,901,465 A	2/1990	Hsu	
4,930,240 A	6/1990	Bice	

D310,302 S	9/1990	Southard	
D313,886 S	1/1991	Southard	
5,011,174 A *	4/1991	Ross-Clunis	280/287
D318,156 S	7/1991	Banovich	
5,052,555 A	10/1991	Harmon	
5,075,998 A	12/1991	Selleck	
5,202,523 A	4/1993	Grossman	
5,220,933 A	6/1993	Albers	
5,233,124 A	8/1993	Peterson	
D339,470 S	9/1993	Marks	
5,317,827 A	6/1994	Jaremco	
5,337,505 A	8/1994	Brown	
5,379,542 A	1/1995	Guzman	
D357,584 S	4/1995	Swingler	
5,427,239 A	6/1995	Hunt	
D364,714 S	11/1995	Jeffery	
D371,413 S	7/1996	Crausby	
D373,297 S	9/1996	Hill	
D376,474 S	12/1996	Marks	
5,588,242 A	12/1996	Hughes	
5,645,091 A	7/1997	Hoefl	

(Continued)

FOREIGN PATENT DOCUMENTS

GB 2185209 A * 7/1987

Primary Examiner — Michael A Pratt

(74) *Attorney, Agent, or Firm* — Stephen D. Carver

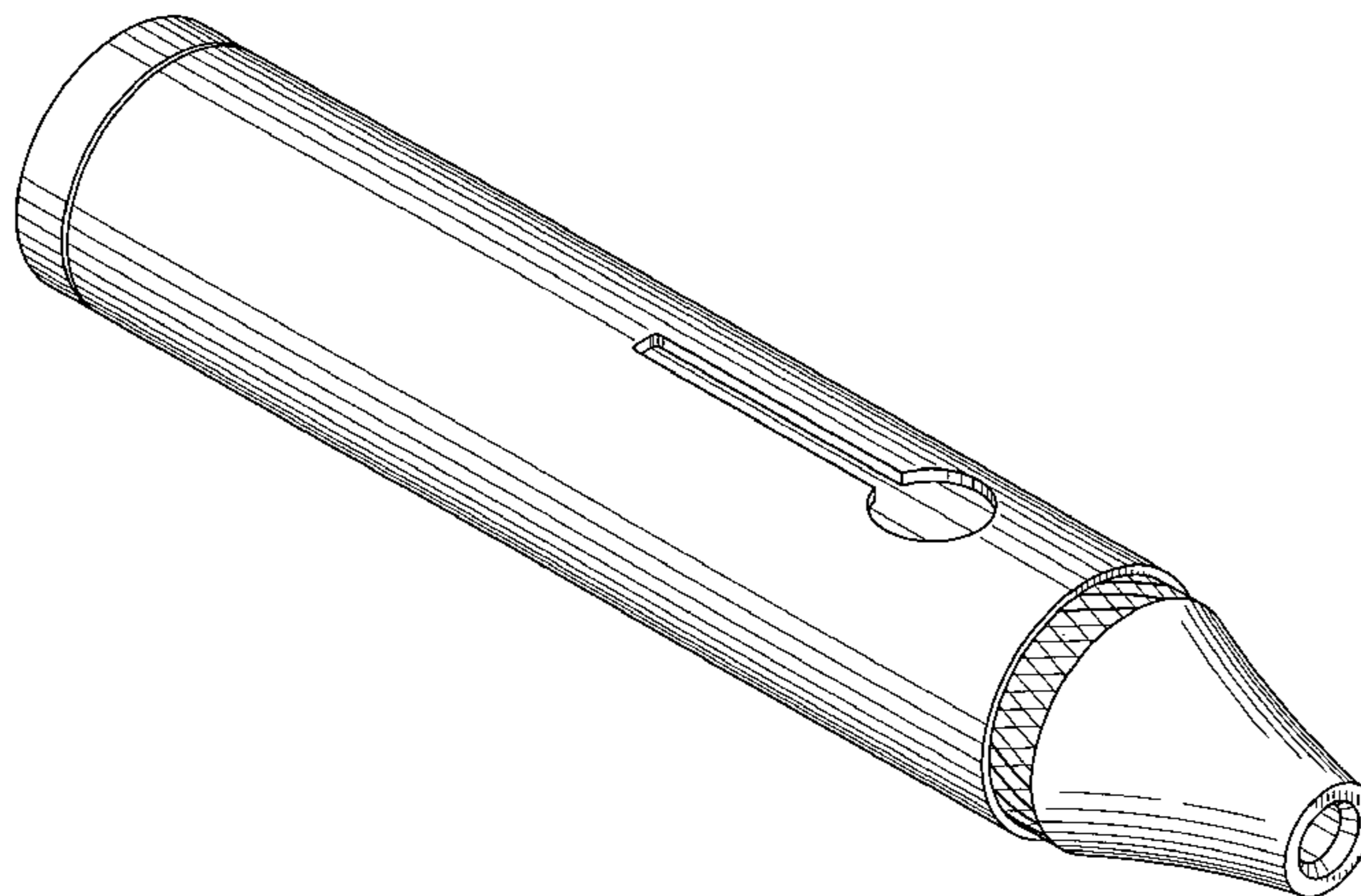
(57) **CLAIM**

The ornamental design for a handle for firearm maintenance, as shown and described.

DESCRIPTION

FIG. 1 is a top, frontal isometric view of the preferred embodiment of my new handle for firearm maintenance; FIG. 2 is a bottom isometric view of the preferred embodiment; FIG. 3 is a right side elevational view thereof; FIG. 4 is a left side elevational view thereof; FIG. 5 is a rear plan view thereof; FIG. 6 is a front plan view thereof; FIG. 7 is a top plan view thereof; and, FIG. 8 is a bottom plan view thereof. The broken lines of FIG. 5 are included for the purpose of illustrating a portion of the handle for firearm maintenance that forms no part of the claimed design.

1 Claim, 4 Drawing Sheets



US D677,355 S

Page 2

U.S. PATENT DOCUMENTS

D381,879 S	8/1997	Peng	
5,755,055 A	5/1998	Thompson	
5,775,020 A	7/1998	Baird	
5,775,021 A	7/1998	Weiss	
D401,658 S *	11/1998	Bullock	D22/108
D407,212 S	3/1999	Molaro	
D415,729 S *	10/1999	Wells	D12/317
5,972,125 A	10/1999	Hedge	
6,126,005 A	10/2000	Long, Jr.	
6,209,723 B1	4/2001	Fields	
6,244,899 B1	6/2001	Bogursky	
6,269,579 B1	8/2001	Warner	
6,293,743 B1 *	9/2001	Ernst et al.	411/24
D449,506 S *	10/2001	Haug	D8/87
6,378,236 B1 *	4/2002	Solberg et al.	42/95
D457,697 S	5/2002	Savage	
6,389,978 B1 *	5/2002	Hooper et al.	102/442
D480,455 S	10/2003	Marks	
D480,522 S	10/2003	Sasaki	
6,640,480 B2	11/2003	Williams	
6,701,657 B1	3/2004	Hudspeth	
D499,552 S	12/2004	Nissanoff	
D500,952 S	1/2005	Moore	
7,020,994 B2	4/2006	Buie, II	
D535,476 S	1/2007	Pennington	
7,163,673 B2	1/2007	Marks	
7,356,961 B2	4/2008	Williams	
7,367,151 B1	5/2008	Black	
7,451,707 B1 *	11/2008	Hadden	102/529
D602,663 S	10/2009	Pennington	
7,628,164 B2 *	12/2009	Joen-an Ma	135/121
D619,728 S *	7/2010	Bare et al.	D24/224
7,841,472 B1	11/2010	Williams	
8,146,284 B2 *	4/2012	Smith	42/95
2003/0019180 A1 *	1/2003	Warren et al.	52/646
2003/0136044 A1	7/2003	Williams	
2006/0010753 A1	1/2006	Buie	
2007/0266610 A1 *	11/2007	Coffield, III	42/95
2008/0295818 A1	12/2008	Styles	
2009/0145785 A1	6/2009	Garrett	
2009/0193703 A1	8/2009	Riley	
2009/0199360 A1 *	8/2009	Madanat	16/111.1
2010/0175296 A1	7/2010	Williams	
2011/0047853 A1	3/2011	Williams	
2011/0209379 A1 *	9/2011	Williams	42/95
2012/0073616 A1 *	3/2012	Kuelbs	135/16

* cited by examiner

FIG. 1

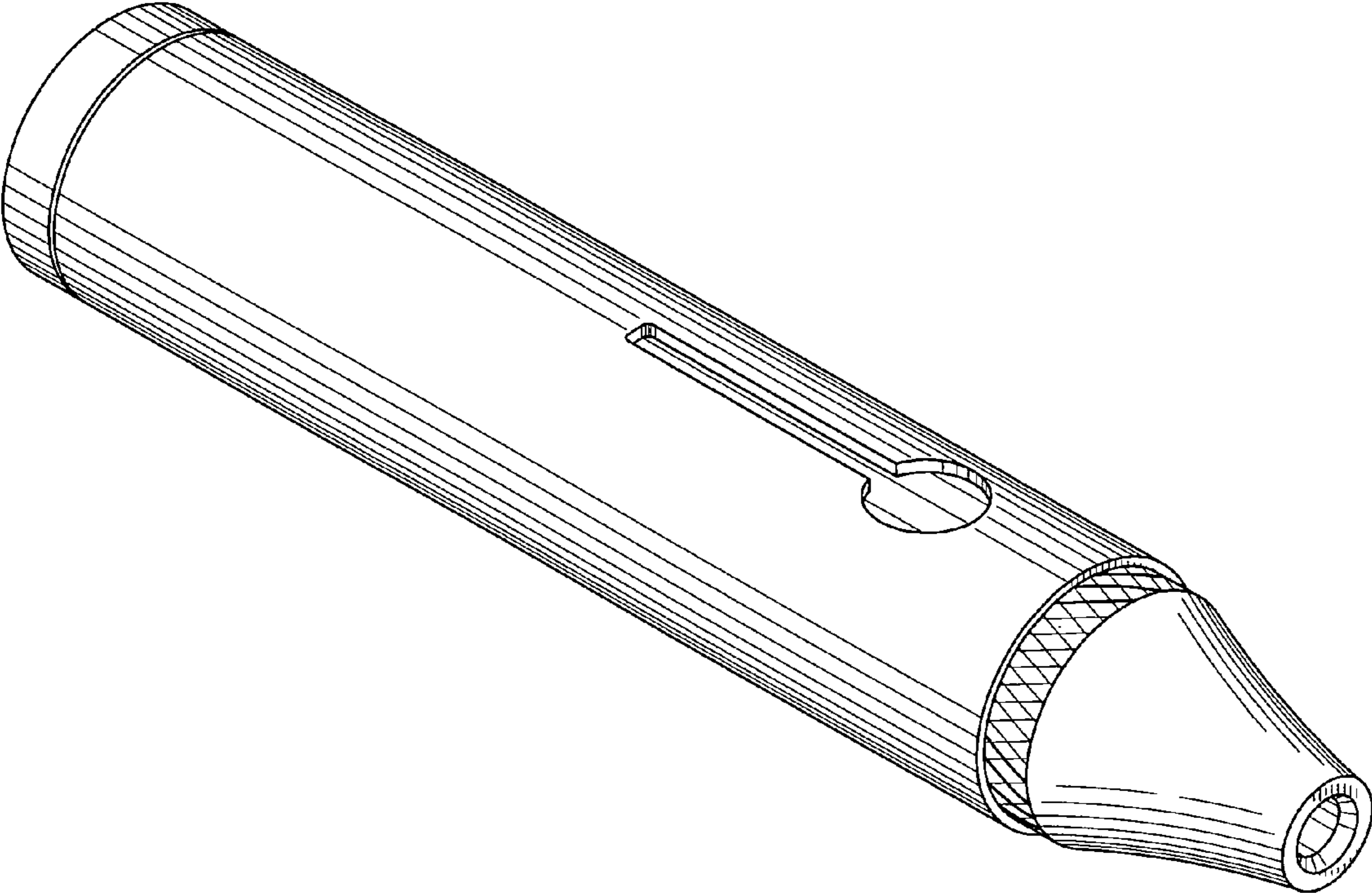


FIG. 2

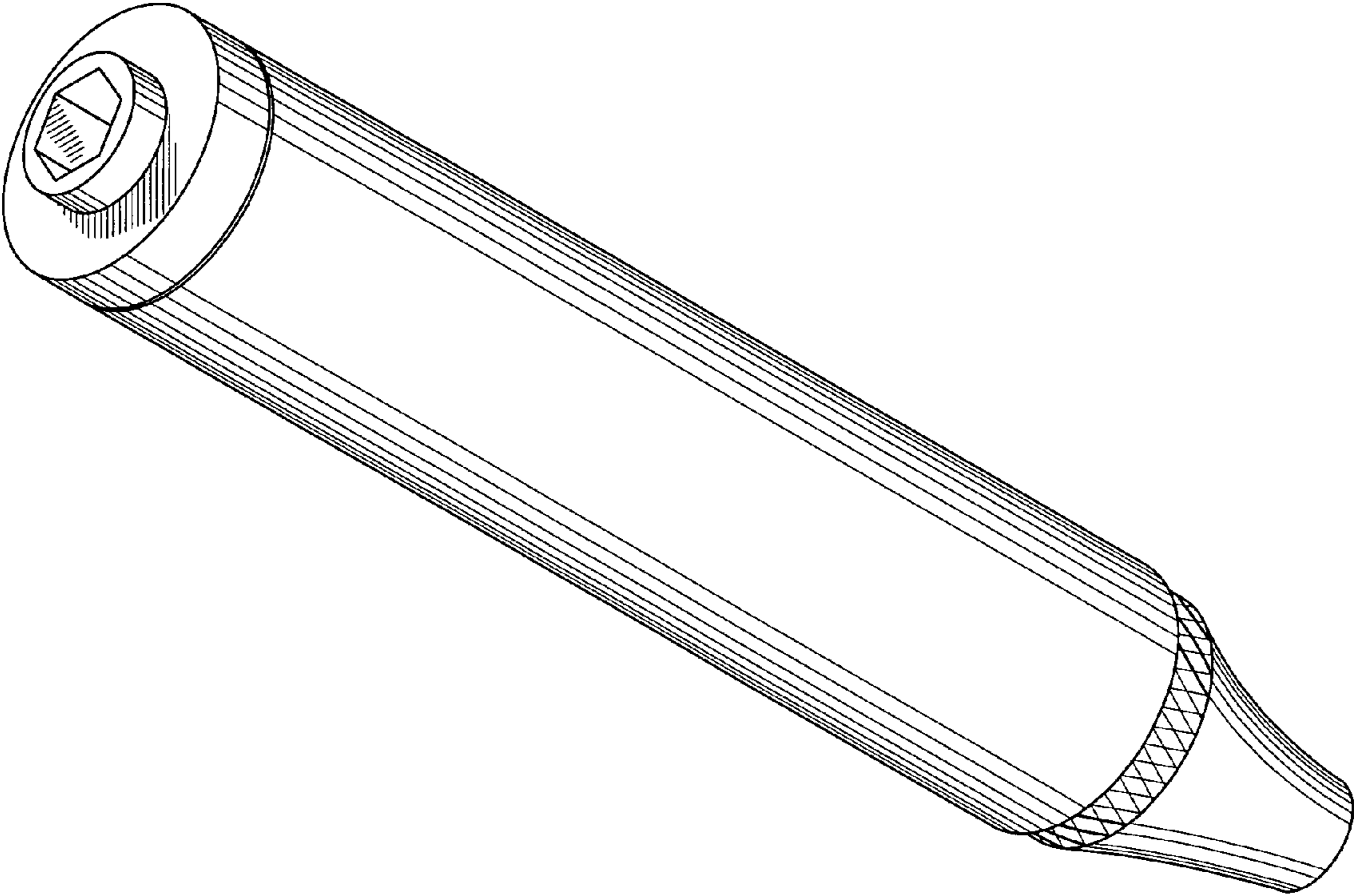


FIG. 3

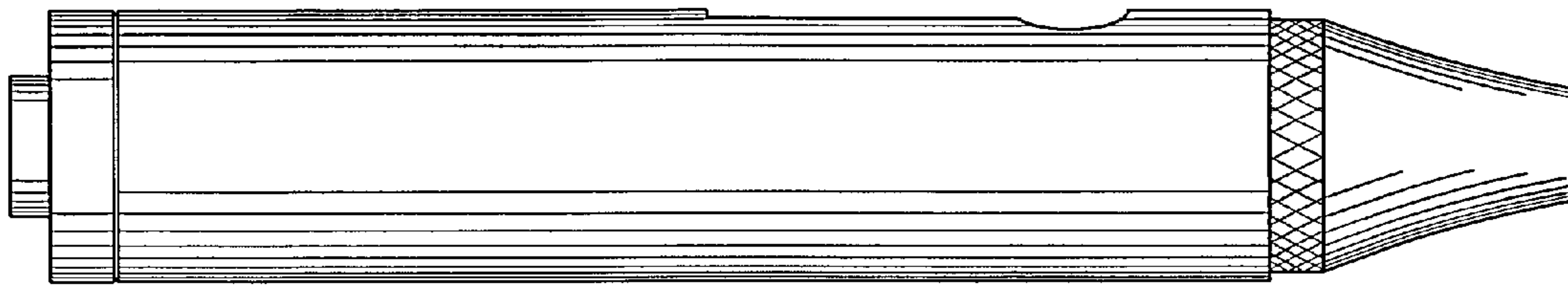


FIG. 4

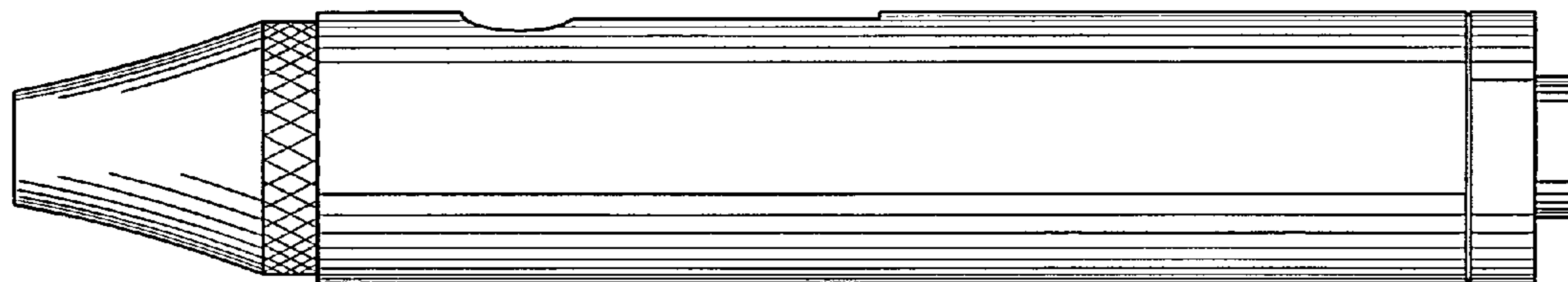


FIG. 5

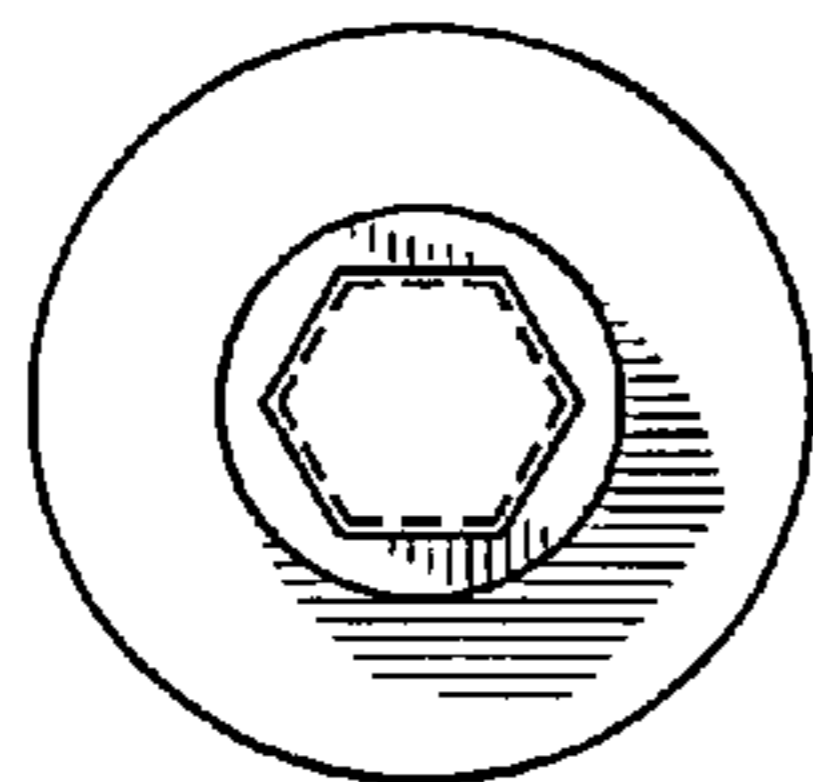


FIG. 6

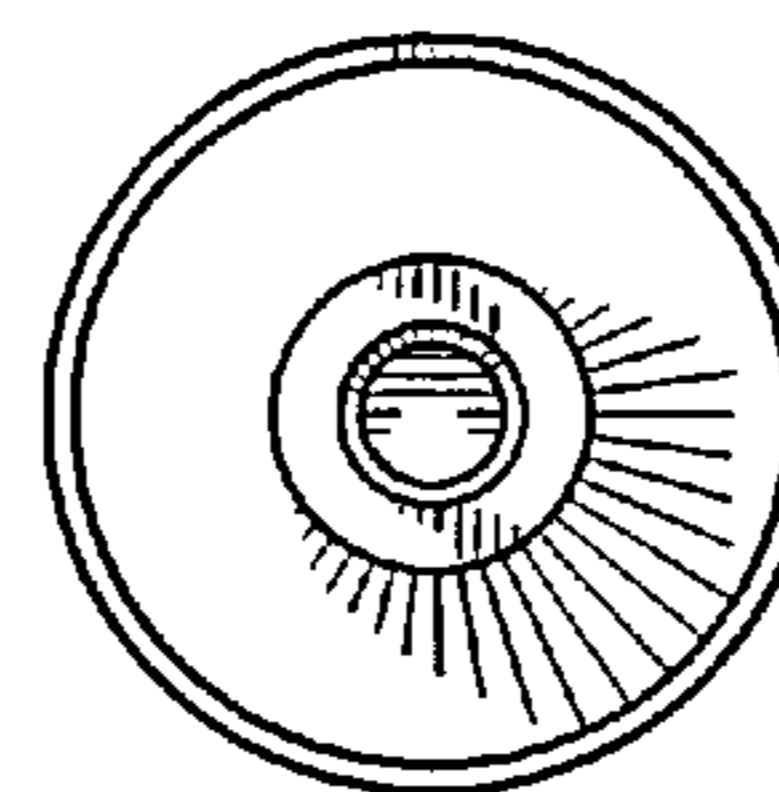


FIG. 7

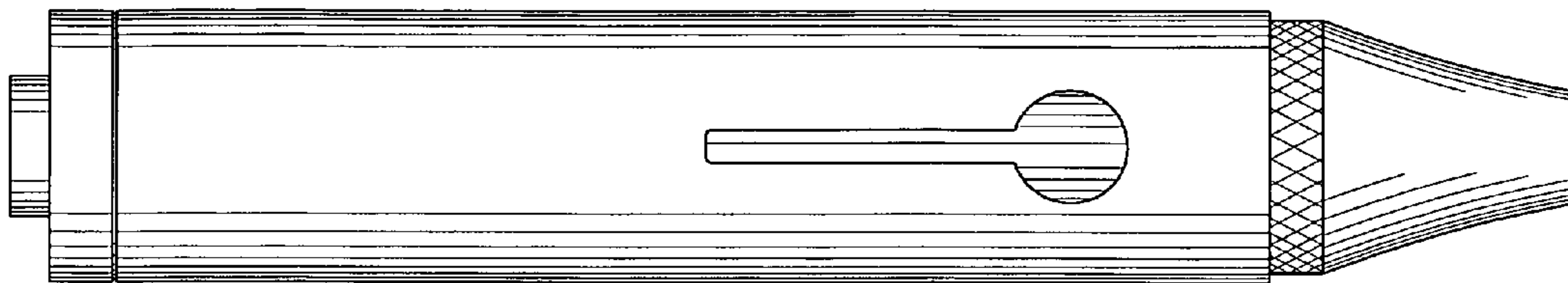


FIG. 8

