



US00D677354S

(12) **United States Design Patent**
Nolan et al.

(10) **Patent No.:** **US D677,354 S**
(45) **Date of Patent:** **** Mar. 5, 2013**

(54) **SURFBOARD LEASH**

(76) Inventors: **Connell E. Nolan**, Essex Junction, VT (US); **Jeffrey M. Glass**, Venice, CA (US)

(**) Term: **14 Years**

(21) Appl. No.: **29/407,106**

(22) Filed: **Nov. 22, 2011**

(51) **LOC (9) Cl.** **21-02**

(52) **U.S. Cl.** **D21/774**

(58) **Field of Classification Search** D21/684-685, D21/760-761, 765-766, 768-777; 441/74-75; 280/601, 609, 637, 11.36; D3/215, 327
See application file for complete search history.

(56) **References Cited**

U.S. PATENT DOCUMENTS

4,610,634	A *	9/1986	Kimura	441/75
4,775,345	A *	10/1988	Gifford	441/75
D303,278	S *	9/1989	Nealy	D21/774
5,362,270	A	11/1994	Hanson et al.		
5,779,510	A *	7/1998	Skedelski	441/75
5,806,816	A *	9/1998	Hull et al.	248/205.6

* cited by examiner

Primary Examiner — Zenia Bennett

(74) *Attorney, Agent, or Firm* — Schwabe Williamson & Wyatt

(57) **CLAIM**

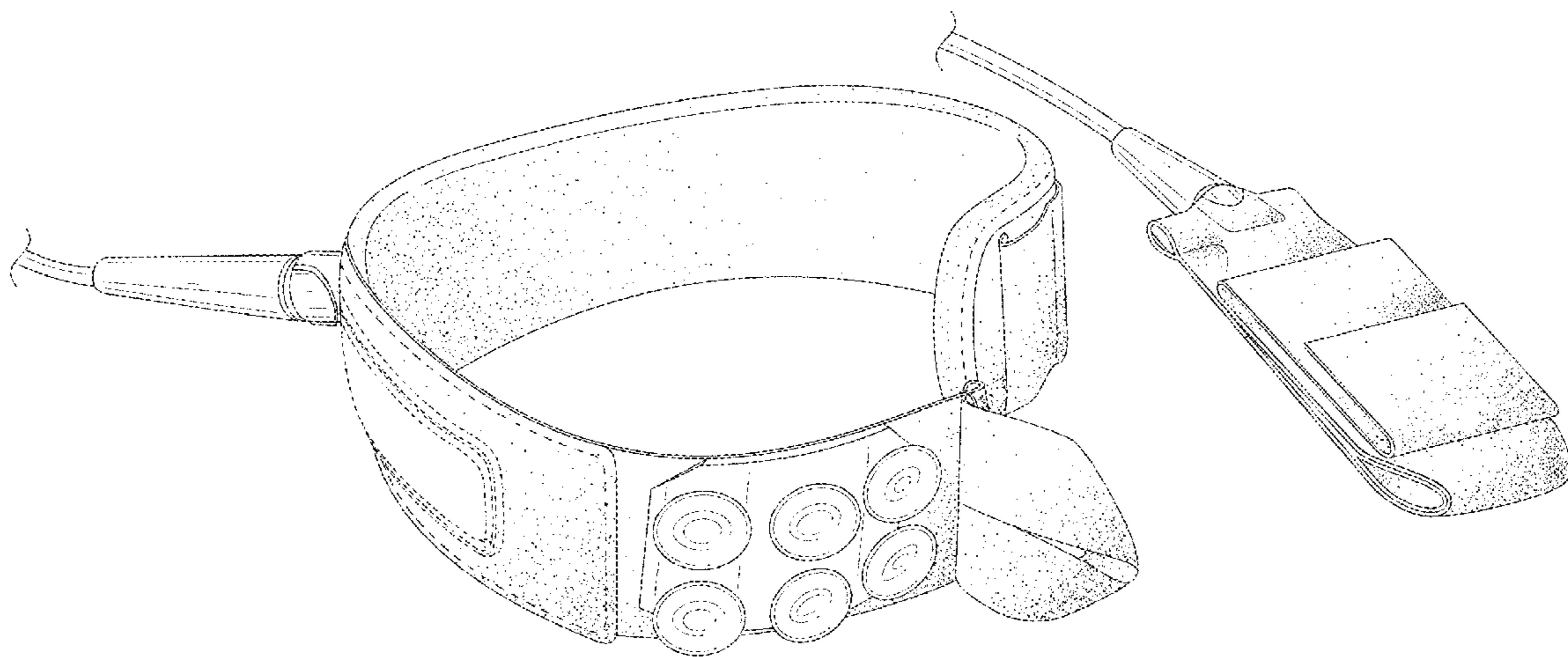
We claim an ornamental design for a surfboard leash, as shown and described.

DESCRIPTION

FIG. 1 is a perspective view of a surfboard leash, showing our new design;
FIG. 2 is a right-side view thereof;
FIG. 3 is a left-side view thereof;
FIG. 4 is a front view thereof;
FIG. 5 is a rear view thereof;
FIG. 6 is a top view thereof;
FIG. 7 is a bottom view thereof;
FIG. 8 is a perspective view thereof; and,
FIG. 9 is a perspective view of a surfboard leash in association with a surfboard.

The dashed lines are included for illustrating environmental structure and form no part of the claimed design. The surfboard leash is shown broken away to show indeterminate length and for ease of illustration.

1 Claim, 9 Drawing Sheets



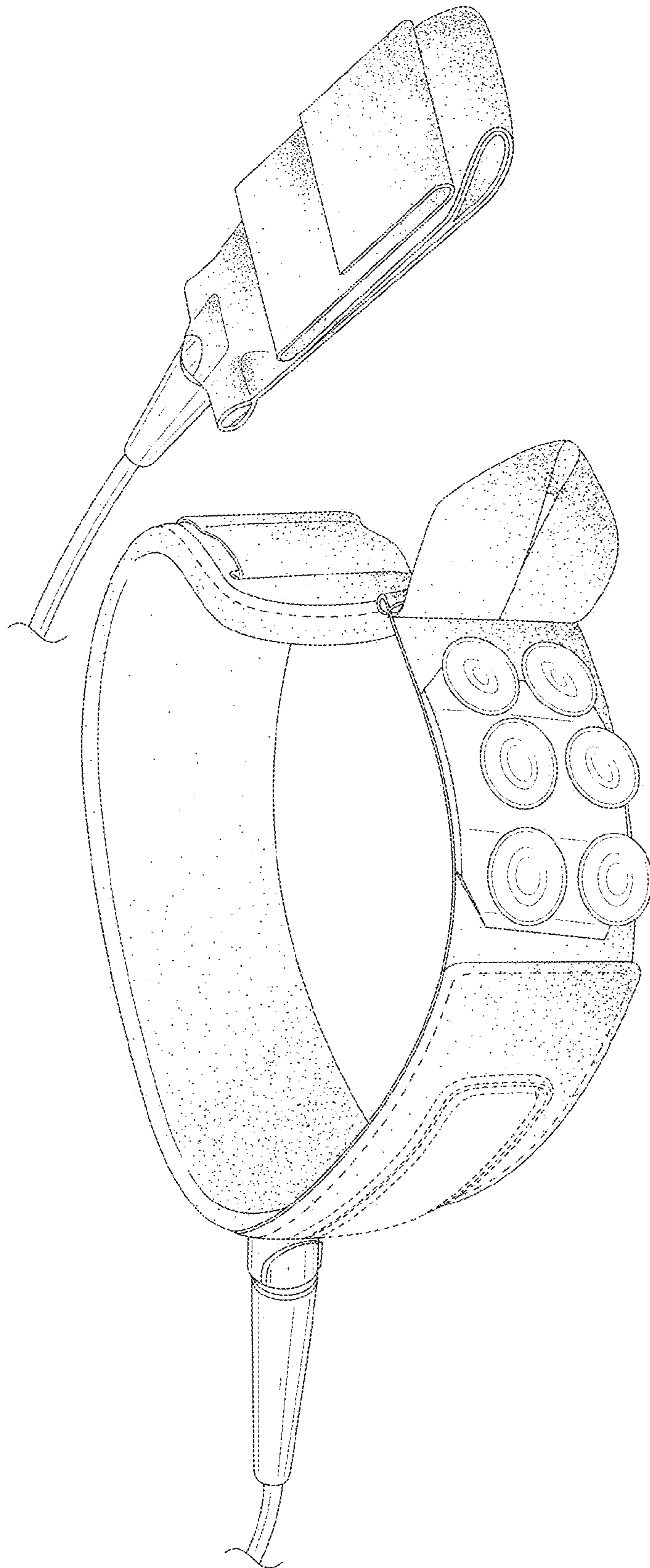


FIG. 1

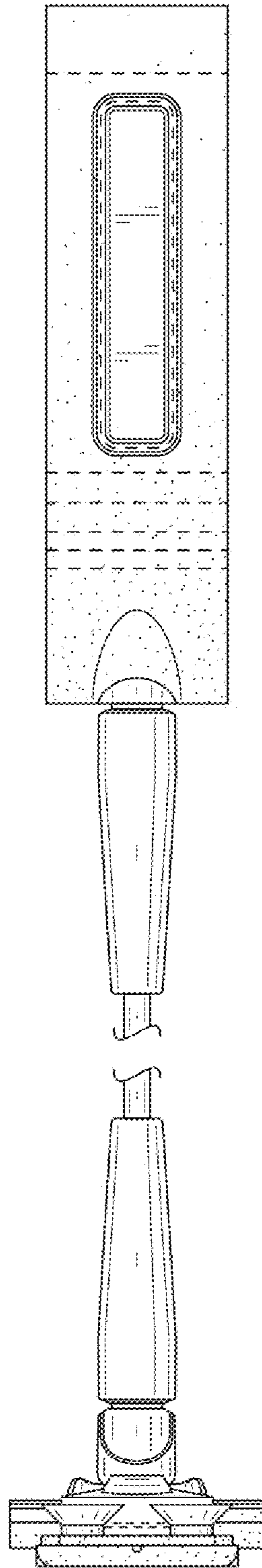


FIG. 2

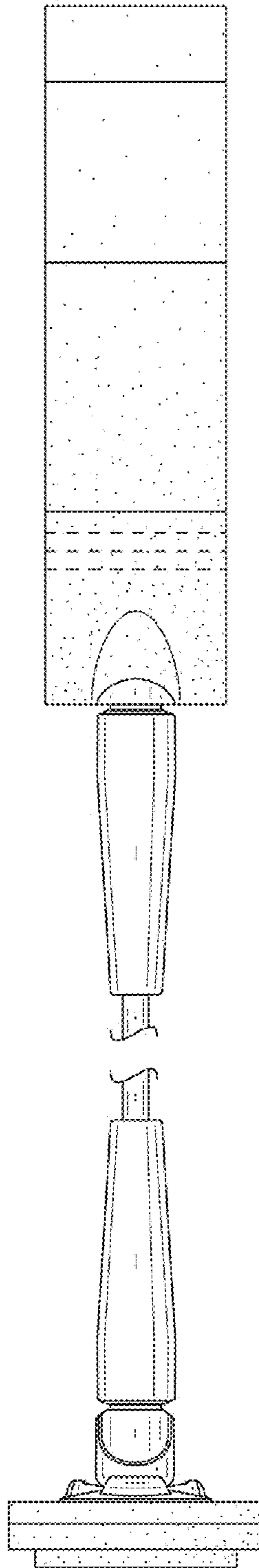


FIG. 3

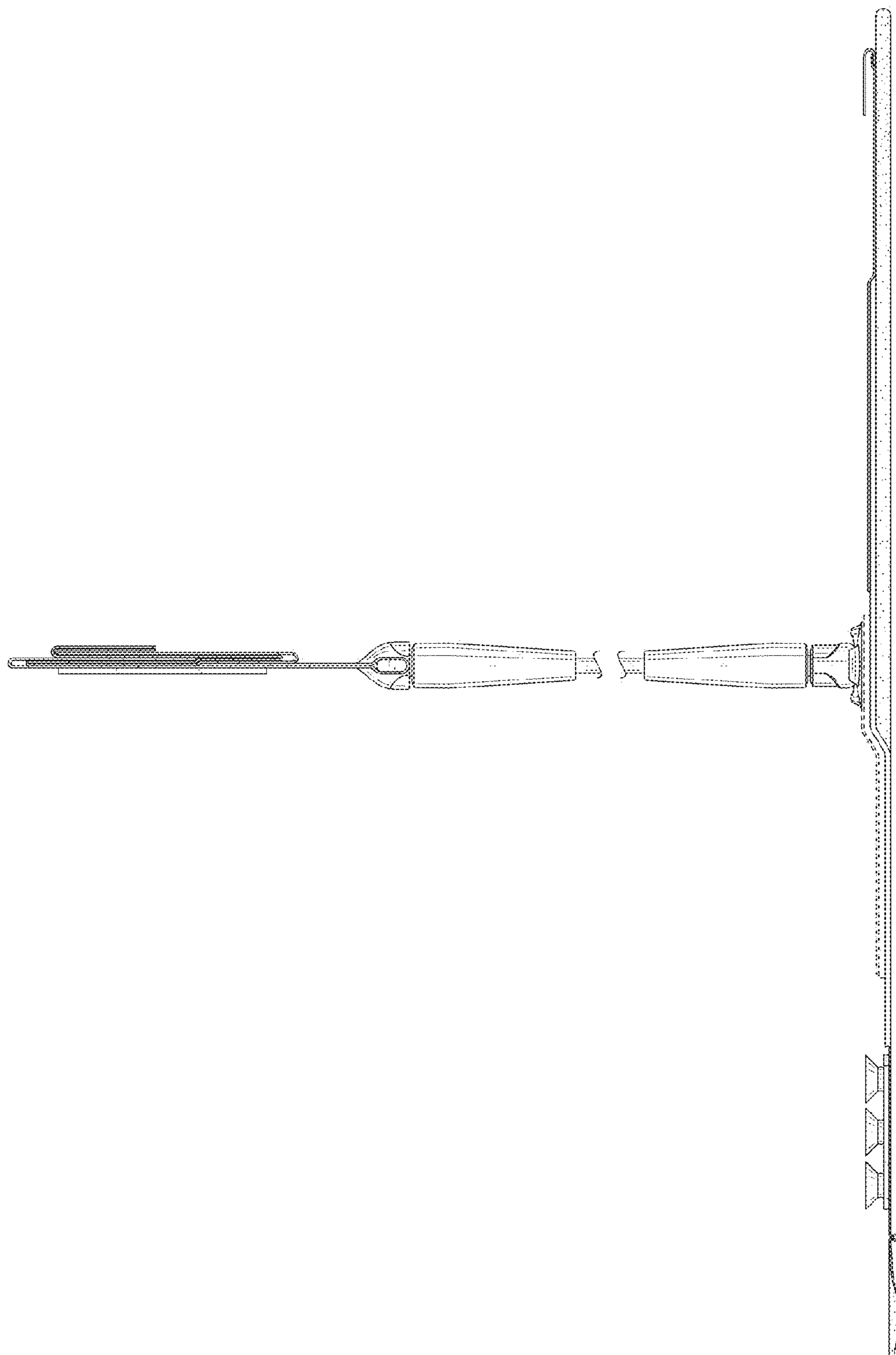


FIG. 4

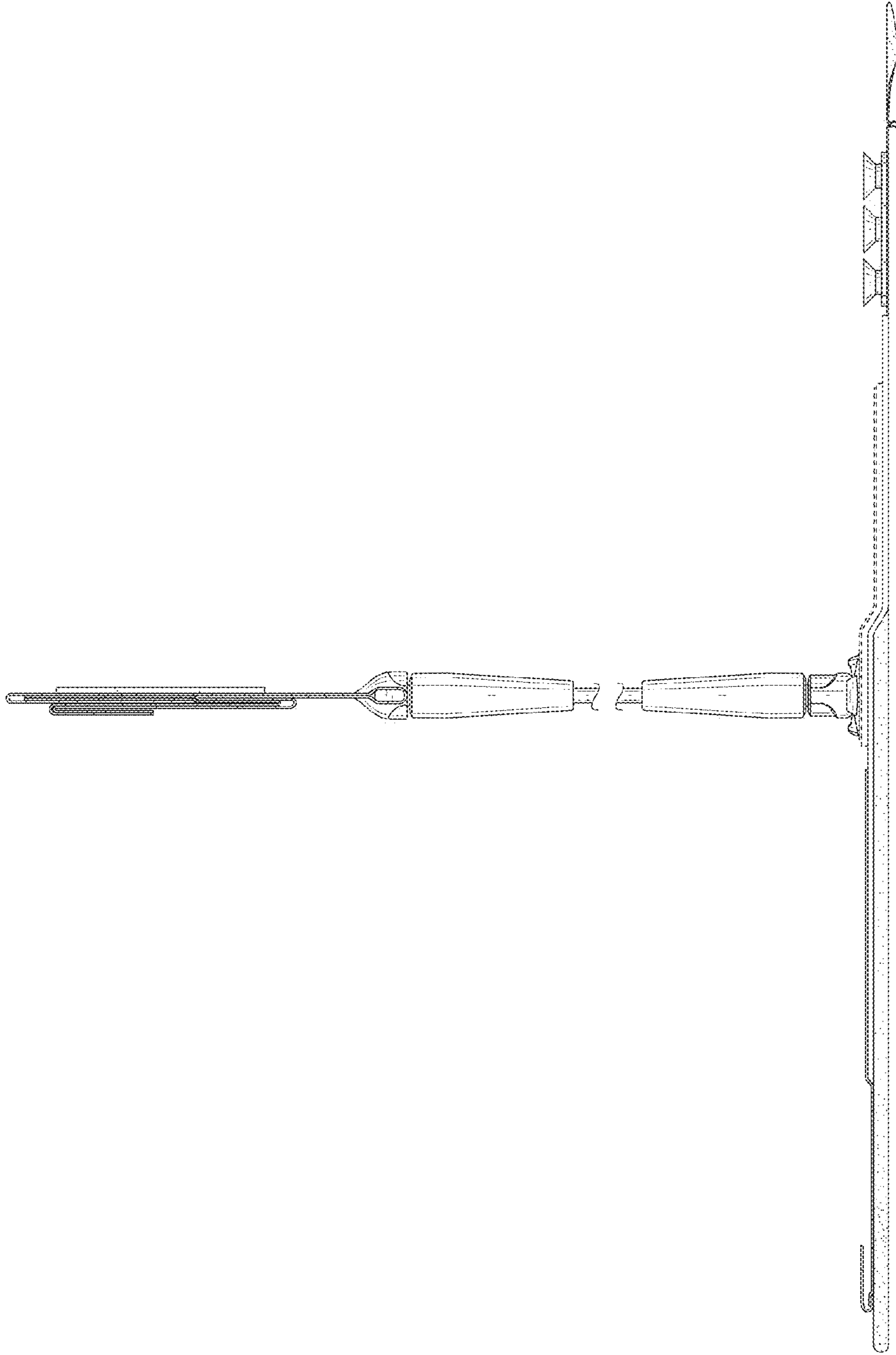


FIG. 5

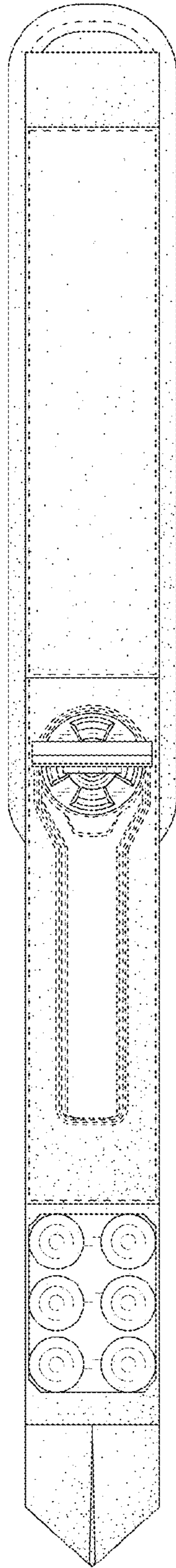


FIG. 6

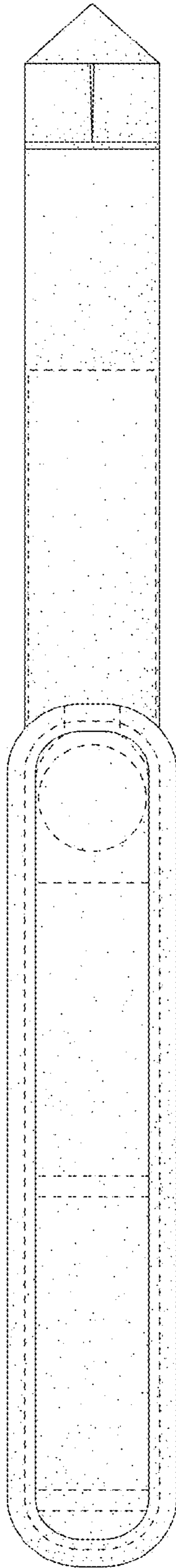


FIG. 7

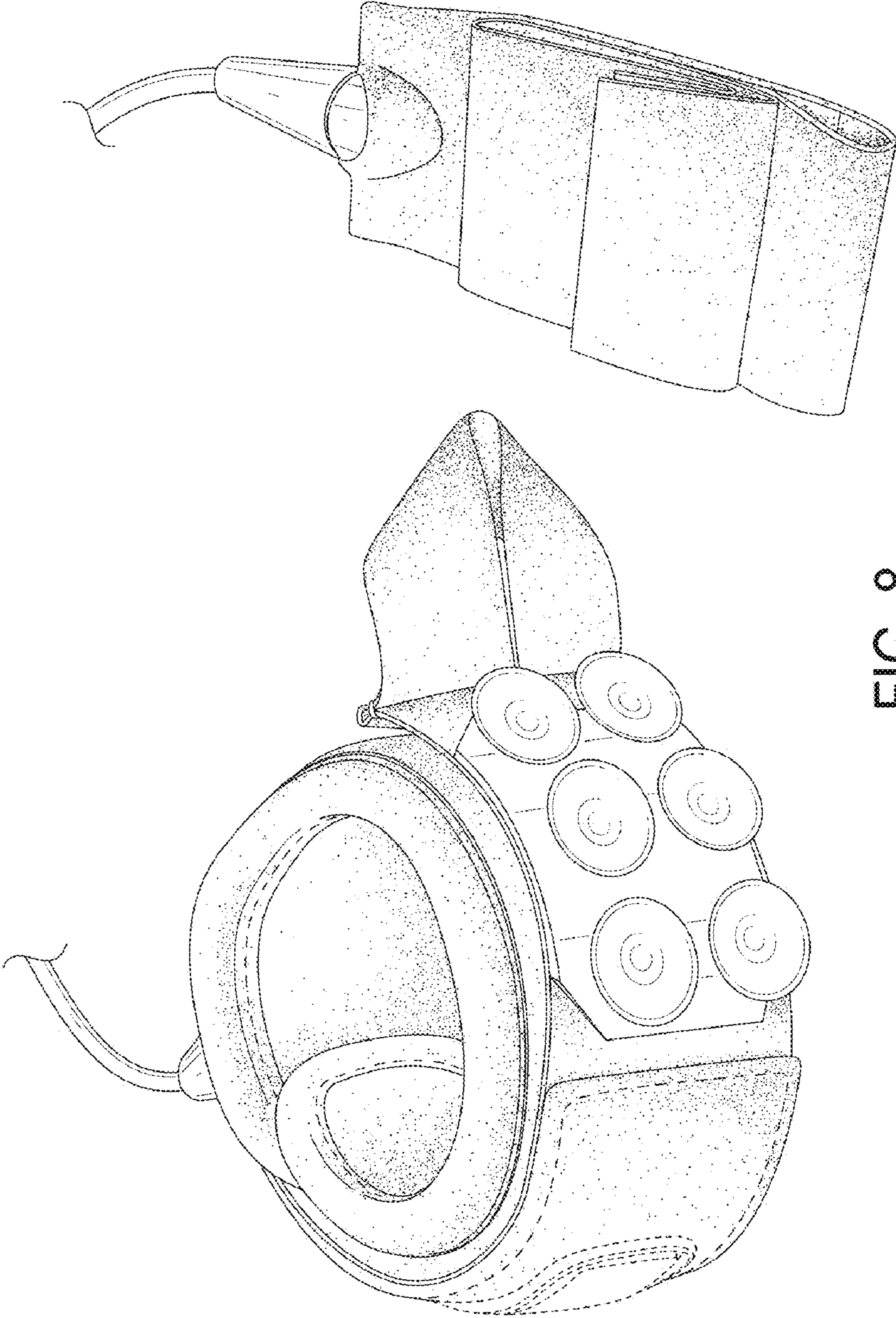


FIG. 8

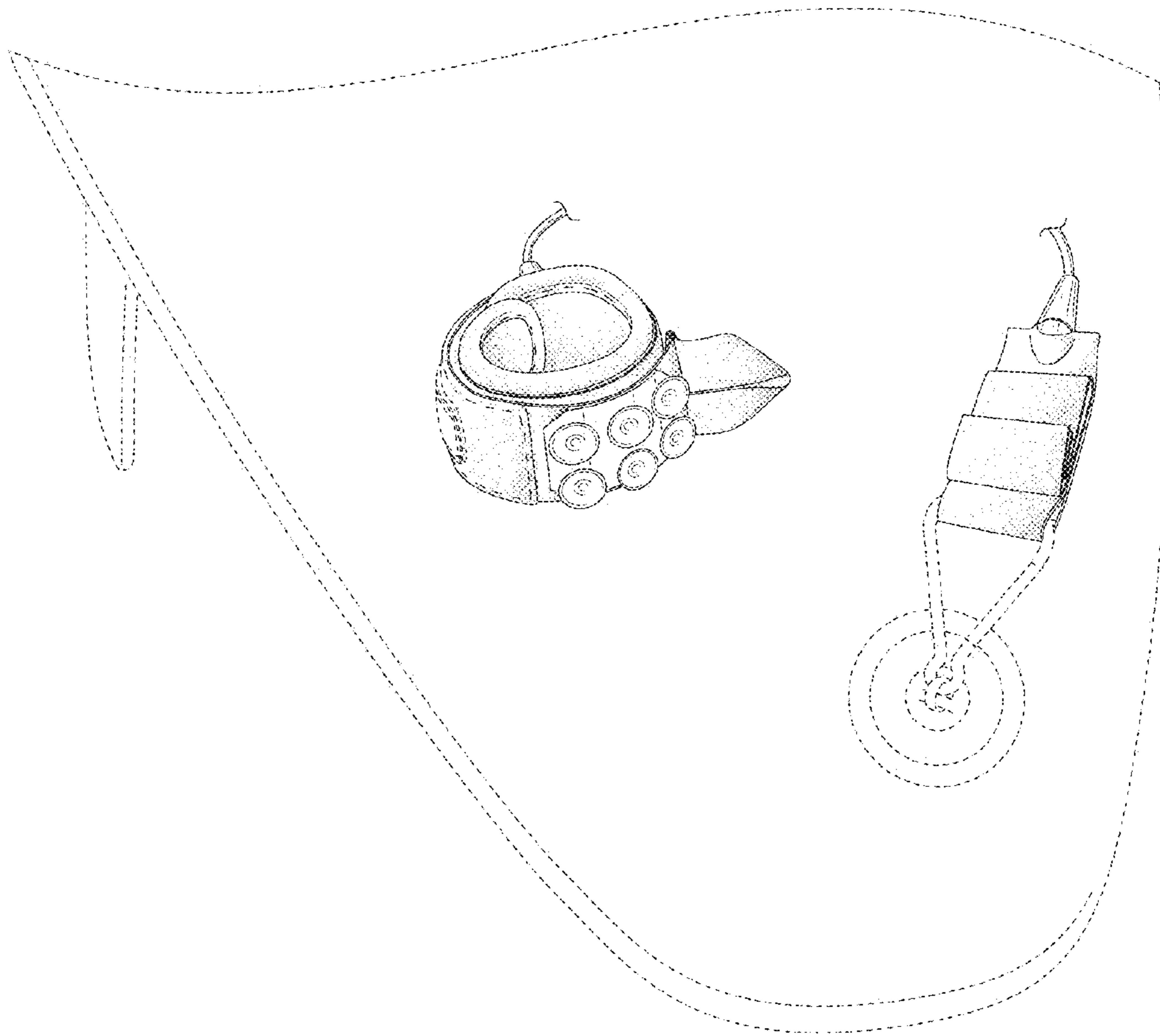


FIG. 9