

US00D677353S

(12) **United States Design Patent**  
**Oldknow et al.**

(10) **Patent No.:** **US D677,353 S**  
(45) **Date of Patent:** **\*\* Mar. 5, 2013**

- (54) **GOLF CLUB HEAD**
- (75) Inventors: **Andrew G. V. Oldknow**, Beaverton, OR (US); **Sherry Lynn Jones**, Pataskala, OH (US); **James Huang Lua**, Columbus, OH (US)
- (73) Assignee: **NIKE, Inc.**, Beaverton, OR (US)
- (\*\*) Term: **14 Years**
- (21) Appl. No.: **29/429,910**
- (22) Filed: **Aug. 17, 2012**
- (51) **LOC (9) Cl.** ..... **21-02**
- (52) **U.S. Cl.** ..... **D21/759**
- (58) **Field of Classification Search** ..... D21/733, D21/752, 759; 473/324–331, 343–346  
See application file for complete search history.

- D618,751 S 6/2010 Breier et al.
- D621,892 S 8/2010 Kohno
- D622,337 S 8/2010 Kohno
- D627,842 S 11/2010 Gray et al.
- 7,837,577 B2 11/2010 Evans
- D630,279 S 1/2011 Kuan
- D637,670 S 5/2011 Foster et al.
- D637,671 S 5/2011 Kim et al.
- D641,818 S 7/2011 Foster et al.
- D643,897 S \* 8/2011 Lee et al. .... D21/752
- 8,016,694 B2 9/2011 Llewellyn et al.
- D646,344 S 10/2011 Glod
- D647,583 S 10/2011 Foster et al.
- D652,880 S 1/2012 Foster et al.
- D654,130 S 2/2012 Glod
- D656,210 S 3/2012 Foster et al.
- 2010/0190574 A1 7/2010 Foster et al.

(Continued)

**OTHER PUBLICATIONS**

Edwin Watts Golf Catalog, Holiday 2004; pp. 18 and 35, published Holiday 2004.

(Continued)

(56) **References Cited**

**U.S. PATENT DOCUMENTS**

- 1,541,126 A \* 6/1925 Dunn ..... 473/328
- D354,103 S \* 1/1995 Allen ..... D21/752
- 5,464,217 A \* 11/1995 Shenoha et al. .... 473/328
- 5,547,188 A 8/1996 Dumontier et al.
- D375,535 S \* 11/1996 Gorman ..... D21/752
- D375,987 S \* 11/1996 Lin ..... D21/752
- D392,007 S \* 3/1998 Fox ..... D21/752
- D397,387 S \* 8/1998 Allen ..... D21/733
- D465,251 S \* 11/2002 Wood et al. .... D21/752
- D490,870 S 6/2004 Burrows
- D507,030 S \* 7/2005 Burrows ..... D21/752
- D524,394 S 7/2006 Madore et al.
- D524,396 S 7/2006 Madore et al.
- D529,111 S 9/2006 Cleveland et al.
- D544,058 S 6/2007 Oldknow
- D544,557 S 6/2007 Oldknow
- D564,607 S 3/2008 Oldknow et al.
- D566,214 S \* 4/2008 Evans et al. .... D21/752
- D569,941 S 5/2008 Evans et al.
- D589,576 S \* 3/2009 Kadoya ..... D21/759
- D591,810 S 5/2009 Murphy et al.
- 7,591,737 B2 9/2009 Gibbs et al.
- D605,714 S 12/2009 Barez et al.

*Primary Examiner* — Mitchell Siegel

(74) *Attorney, Agent, or Firm* — Banner & Witcoff, Ltd.

(57) **CLAIM**

The ornamental design for a golf club head, as shown and described.

**DESCRIPTION**

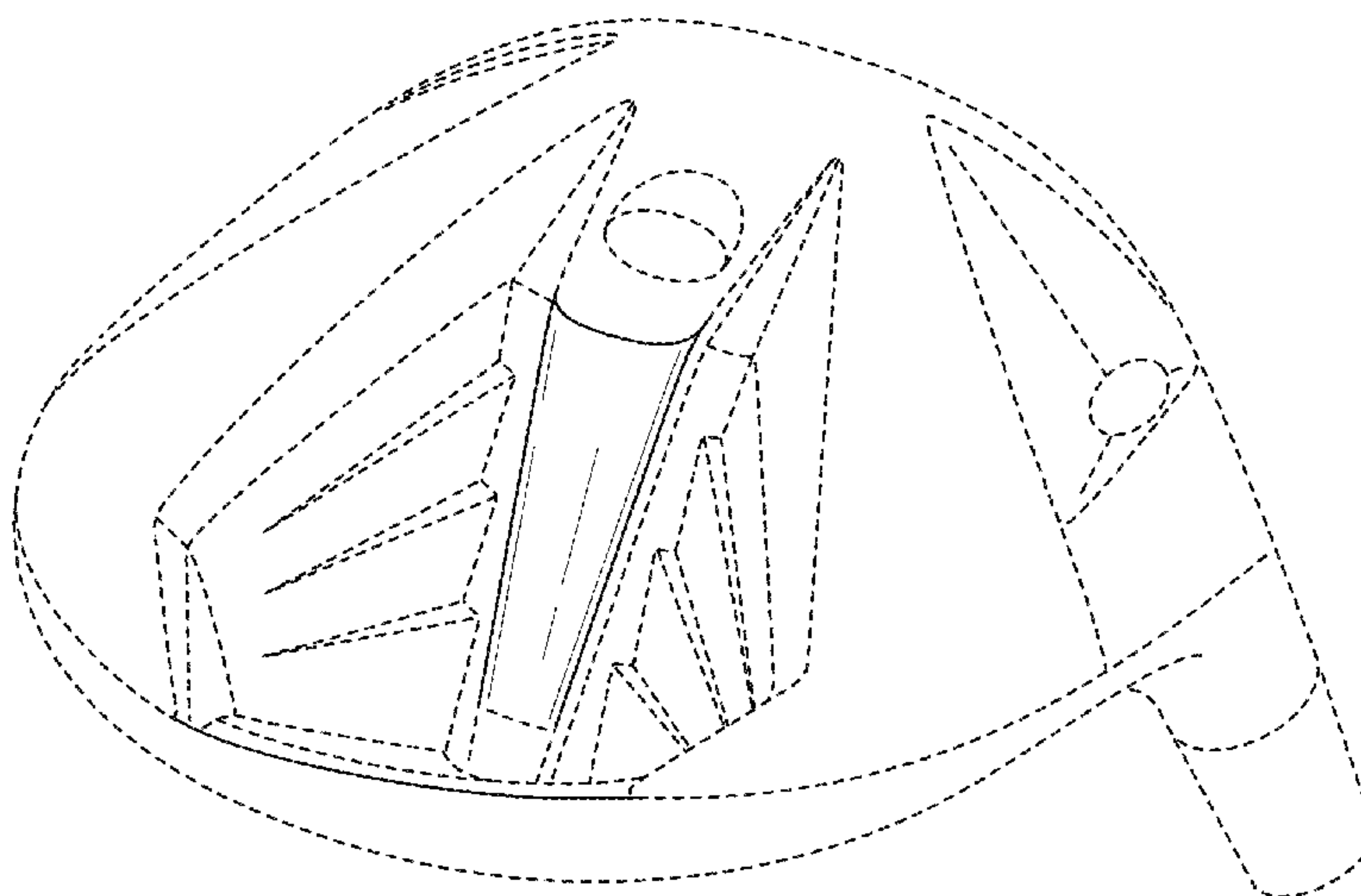
FIG. 1 is a first perspective view of a golf club head showing my/our new design;

FIG. 2 is a second perspective view thereof; and,

FIG. 3 is a bottom view thereof.

The broken line immediately adjacent to the shaded area represents an unclaimed boundary of the design. The broken lines showing the remainder of the golf club head are for environmental purposes only and form no part of the claimed design.

**1 Claim, 3 Drawing Sheets**



U.S. PATENT DOCUMENTS

2011/0009210 A1 1/2011 Stites et al.

OTHER PUBLICATIONS

Golfsmith Golf Catalog, Spring 2010; pp. 4 and 7, published Spring 2010.

Edwin Watts Golf Catalog, Mar. 2011; pp. 2 and 4, published Mar. 2011.

Edwin Watts Golf Catalog, Apr. 2011; pp. 12 and 22, published Apr. 2011.

Bridgestone J40 430 Driver, announcement date unknown, but prior to filing [online], [site visited Aug. 2012]. Available from Internet, <URL: <http://www.edwinwattsgolf.com>>.

Bridgestone J40 Hybrid announcement date unknown, but prior to filing [online], [site visited Aug. 2012]. Available from Internet, <URL: <http://www.edwinwattsgolf.com>>.

TaylorMade R11S Driver, announcement date unknown, but prior to filing [online], [site visited Aug. 2012]. Available from Internet, <URL: <http://www.edwinwattsgolf.com>>.

Titleist 910H Wyvem Hybrid, announcement date unknown, but prior to filing [online], [site visited Aug. 2012]. Available from Internet, <URL: <http://www.edwinwattsgolf.com>>.

TourEdge Backdraft, announcement date unknown, but prior to filing [online], [site visited Aug. 2012]. Available from Internet, <URL: <http://www.edwinwattsgolf.com>>.

TourEdge Exotics XCG5 Hybrid 65G, announcement date unknown, but prior to filing [online], [site visited Aug. 2012]. Available from Internet, <URL: <http://www.edwinwattsgolf.com>>.

\* cited by examiner

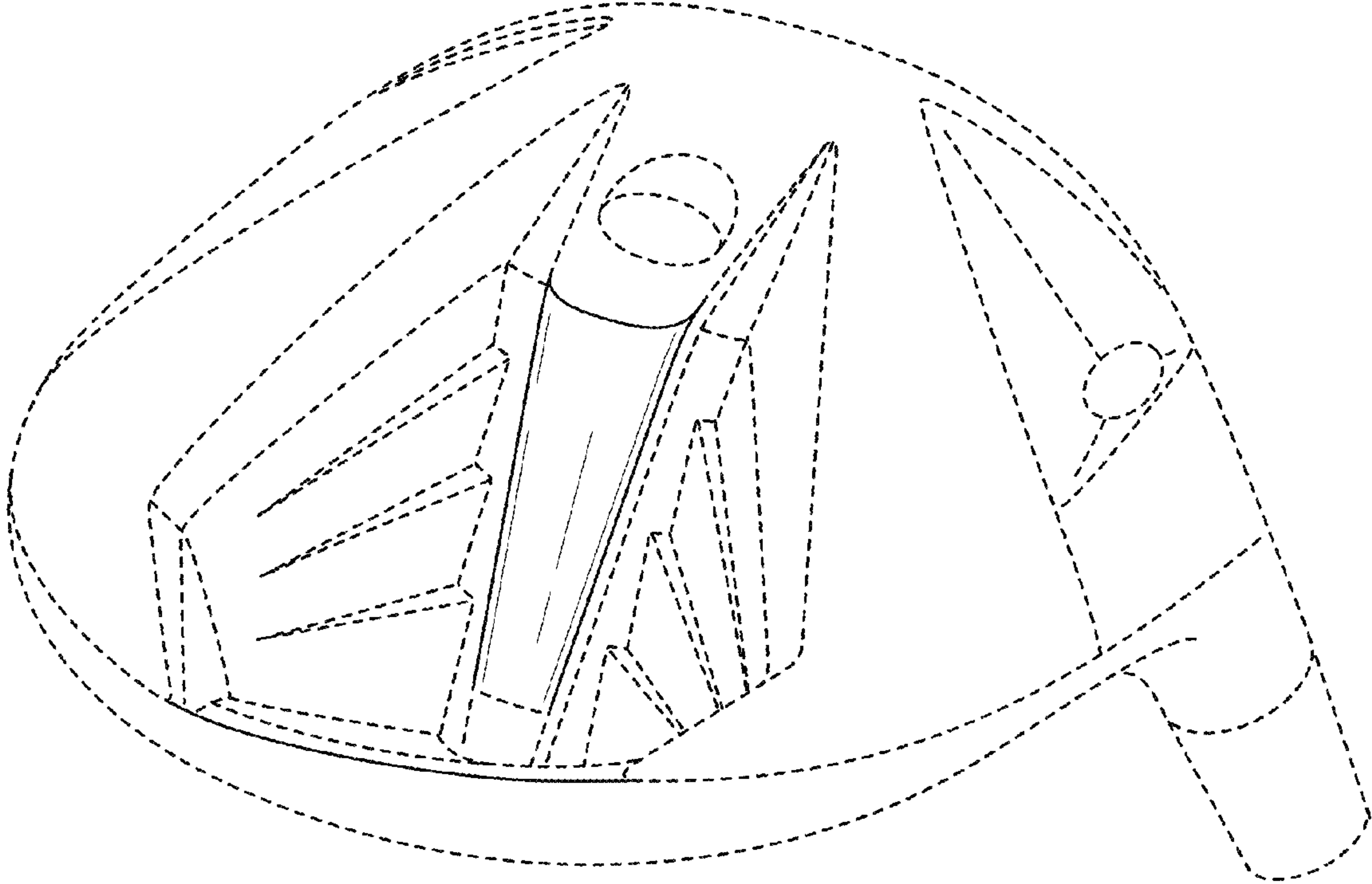


FIG. 1

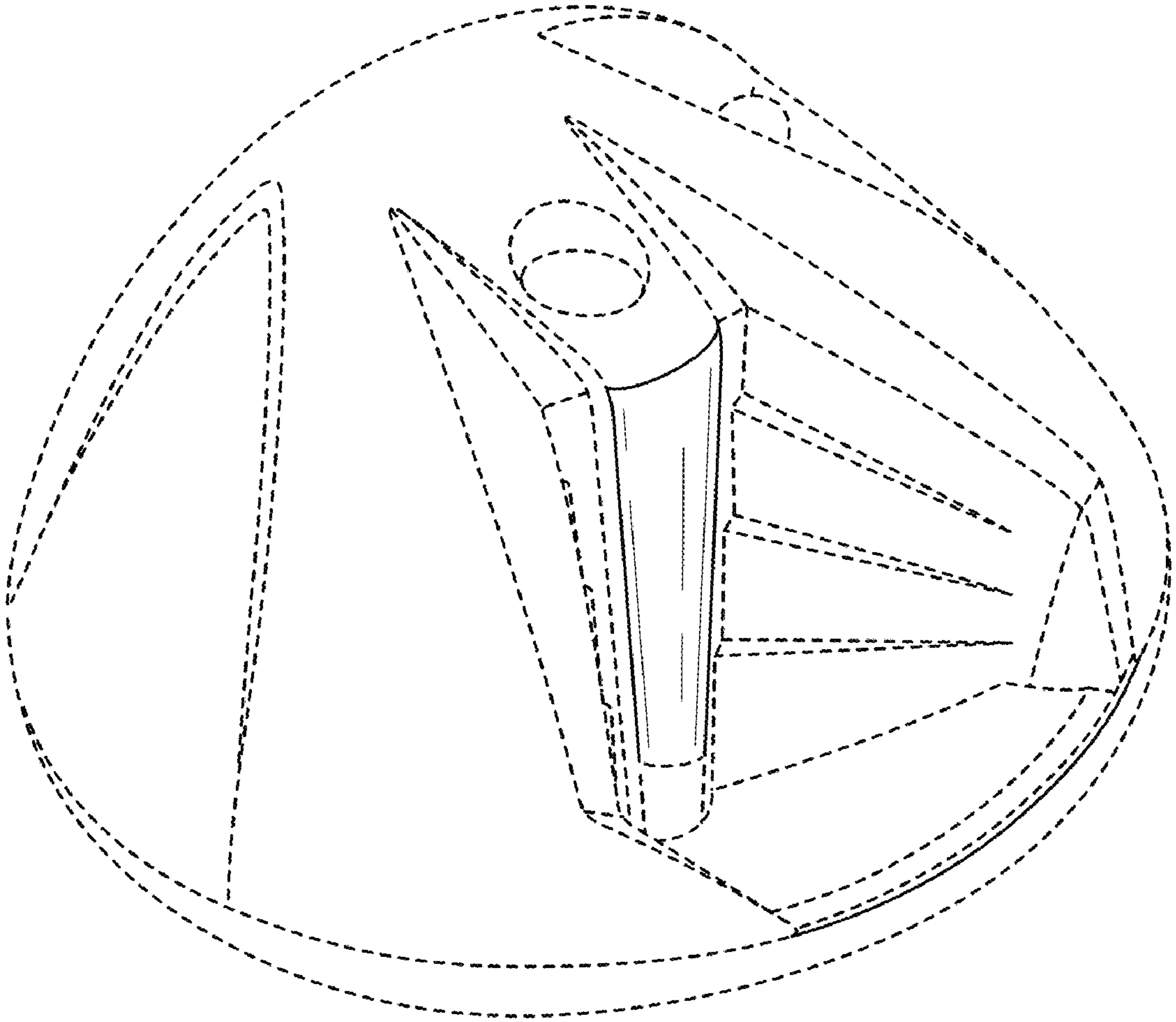


FIG. 2

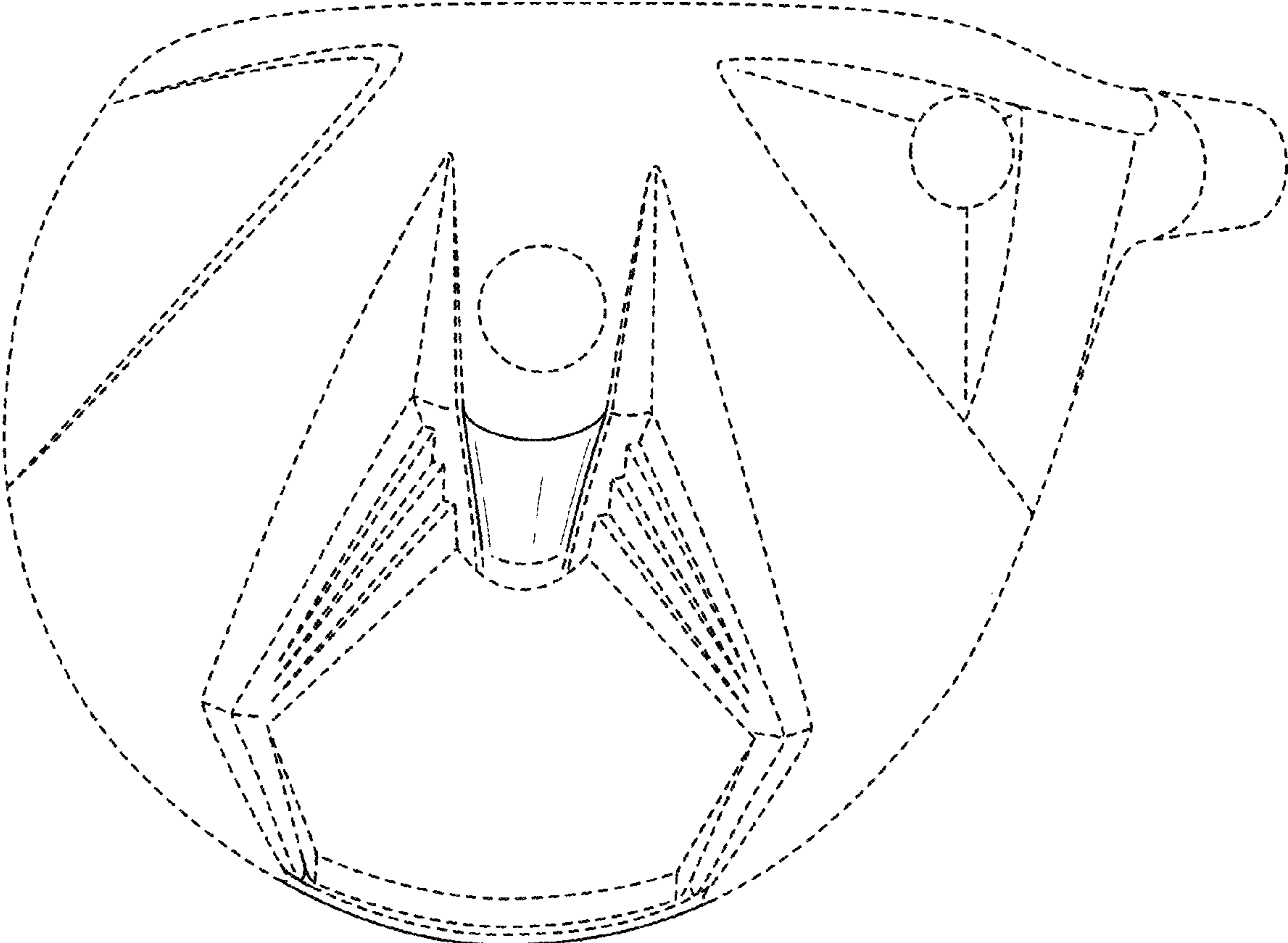


FIG. 3