



US00D677350S

(12) **United States Design Patent**
Goldberg et al.

(10) **Patent No.:** **US D677,350 S**
(45) **Date of Patent:** **** Mar. 5, 2013**

(54) **EXERCISE BIKE**

(75) Inventors: **Johnny Goldberg**, Montecito, CA (US);
Wu Mu-Chuan, Tainan (TW)

(73) Assignee: **Five Girl Inc.**, Montecito, CA (US)

(**) Term: **14 Years**

(21) Appl. No.: **29/415,028**

(22) Filed: **Mar. 6, 2012**

(51) **LOC (9) Cl.** **21-02**

(52) **U.S. Cl.** **D21/667**

(58) **Field of Classification Search** D21/662-667,
D21/694, 697; 482/5, 6, 57-63, 903; 280/274,
280/275, 277, 281.1, 283, 288.2, 288.3; D12/111
See application file for complete search history.

(56) **References Cited**

U.S. PATENT DOCUMENTS

2,972,478	A *	2/1961	Raines	482/61
4,082,264	A *	4/1978	Santos	482/59
D460,133	S *	7/2002	Baker	D21/697
D460,794	S *	7/2002	Baker	D21/667
7,004,888	B1 *	2/2006	Weng	482/57
D534,226	S *	12/2006	Corbalis et al.	D21/697
D575,838	S *	8/2008	Goldberg	D21/697
7,785,236	B1 *	8/2010	Lo	482/63
D624,612	S *	9/2010	Watt	D21/667
7,927,258	B2 *	4/2011	Irving et al.	482/57
D649,204	S *	11/2011	Zhang	D21/667
2002/0151414	A1 *	10/2002	Baker	482/57
2010/0179030	A1 *	7/2010	Liao Lai	482/63

* cited by examiner

Primary Examiner — Susan E Krakower

(74) *Attorney, Agent, or Firm* — Cisló & Thomas, LLP

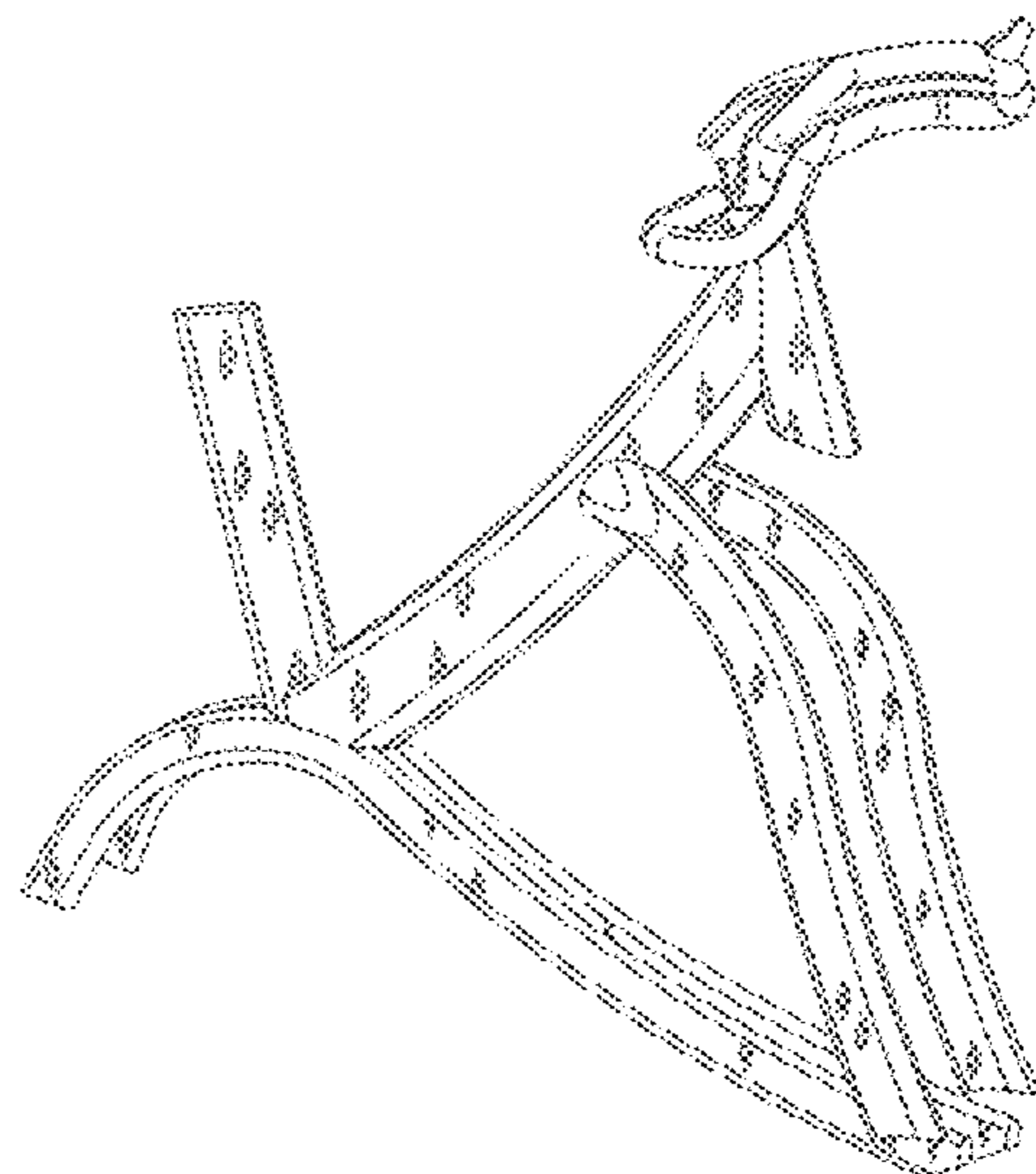
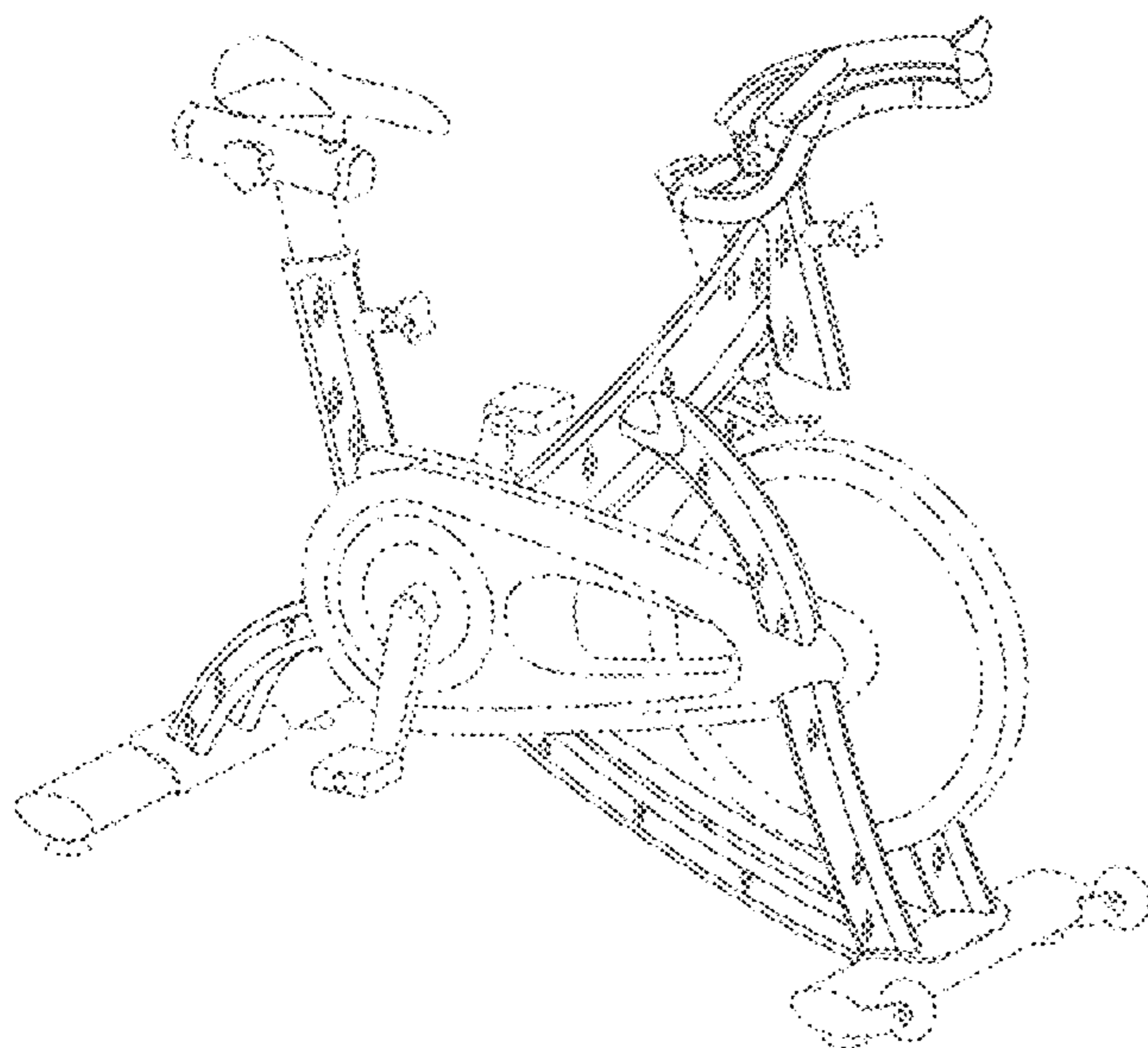
(57) **CLAIM**

The ornamental design for an exercise bike, as shown and described.

DESCRIPTION

FIG. 1 is a perspective view of our exercise bike;
 FIG. 2 is a front view thereof;
 FIG. 3 is a rear view thereof;
 FIG. 4 is a right side view thereof;
 FIG. 5 is a left side view thereof;
 FIG. 6 is a top view thereof; and
 FIG. 7 is a bottom view thereof;
 FIG. 8 is the perspective view of FIG. 1 with the unclaimed environment removed;
 FIG. 9 is a front view thereof with the unclaimed environment removed;
 FIG. 10 is a rear view thereof with the unclaimed environment removed;
 FIG. 11 is a right side view thereof with the unclaimed environment removed;
 FIG. 12 is a left side view thereof with the unclaimed environment removed;
 FIG. 13 is a top view thereof with the unclaimed environment removed; and,
 FIG. 14 is a bottom view thereof with the unclaimed environment removed.
 The broken line portions of the disclosure are included for the purpose of illustrating environment and form no part of the claimed design.

1 Claim, 10 Drawing Sheets



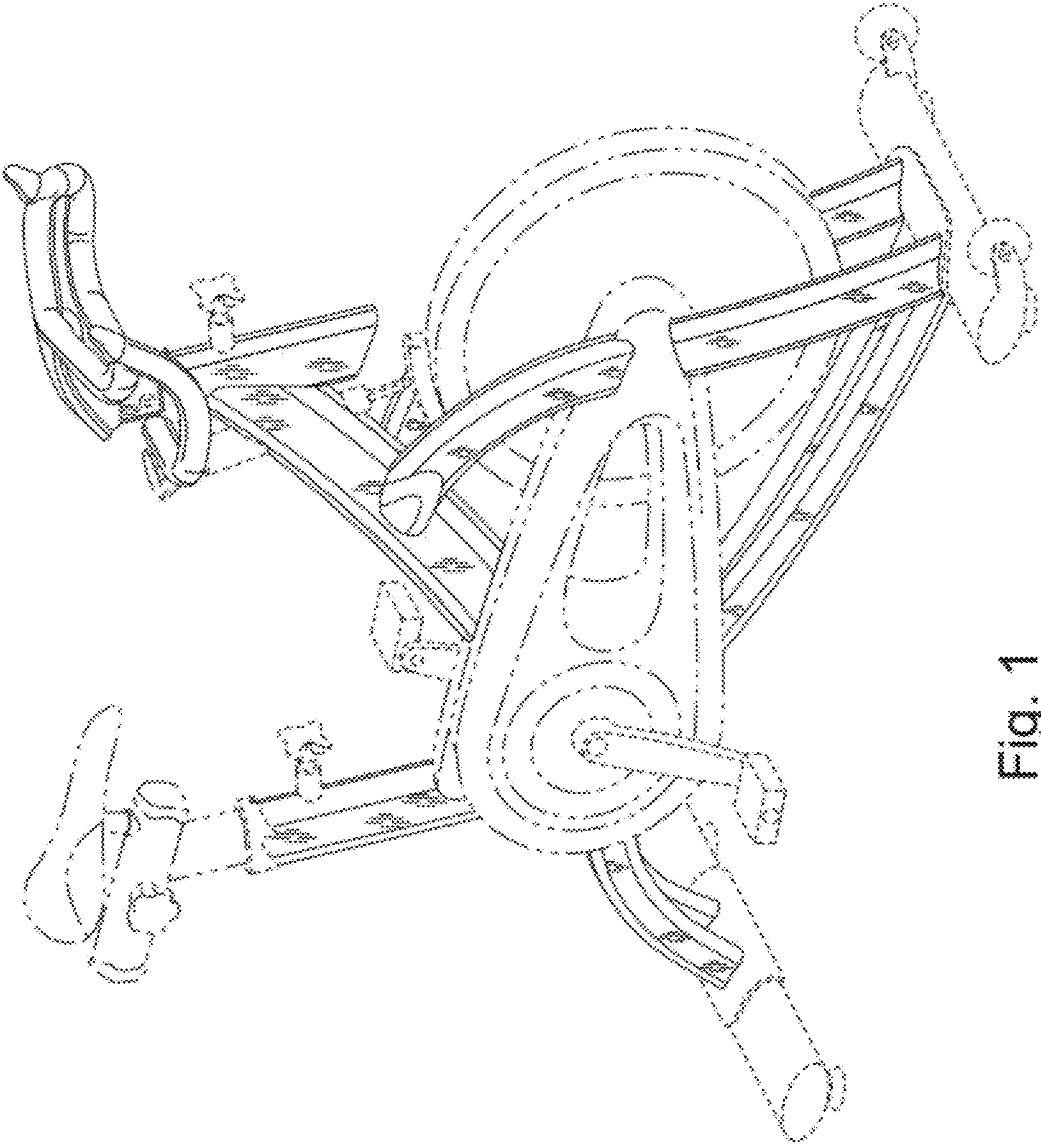


Fig. 1

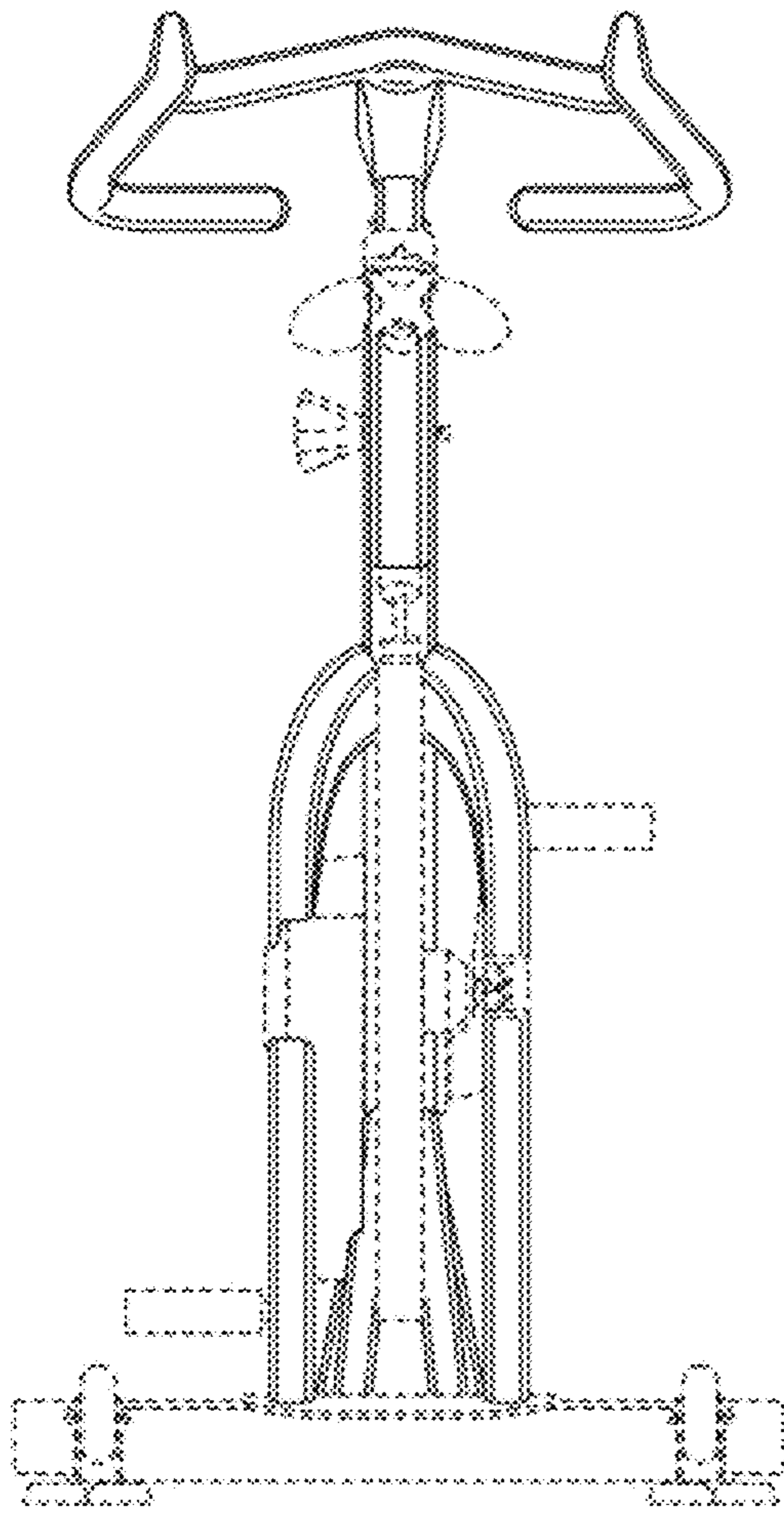


Fig. 2

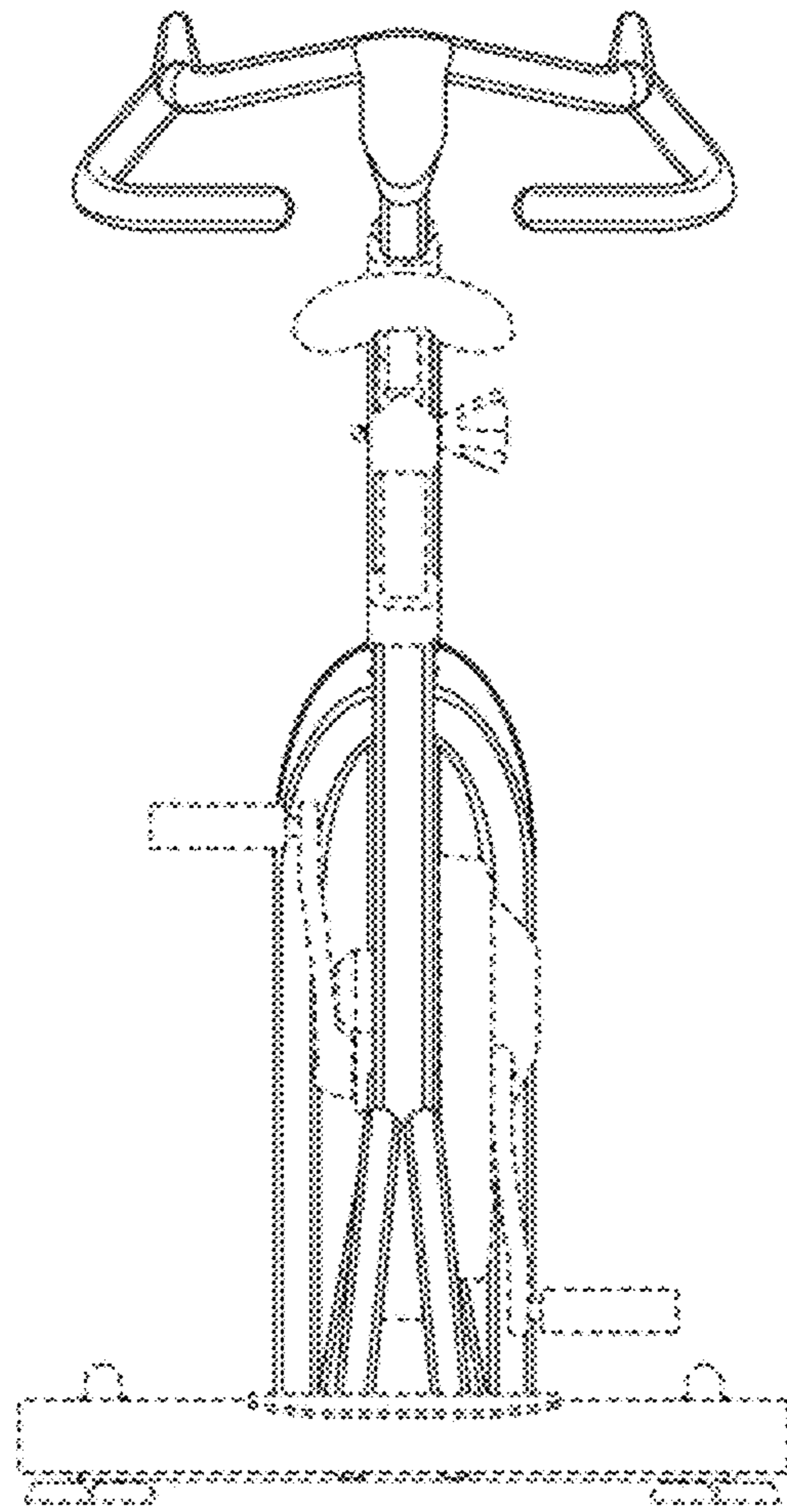


Fig. 3

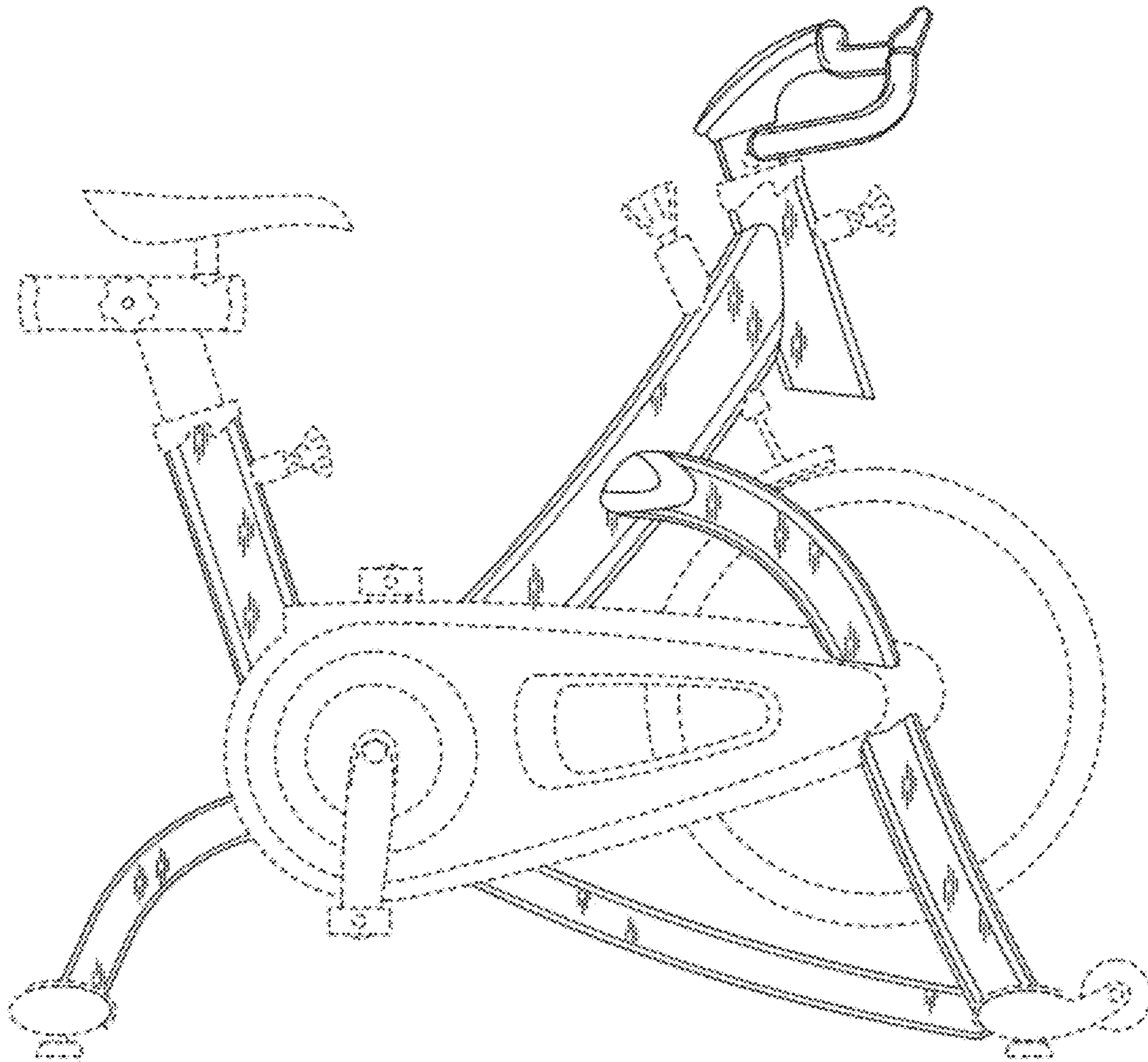


Fig. 4

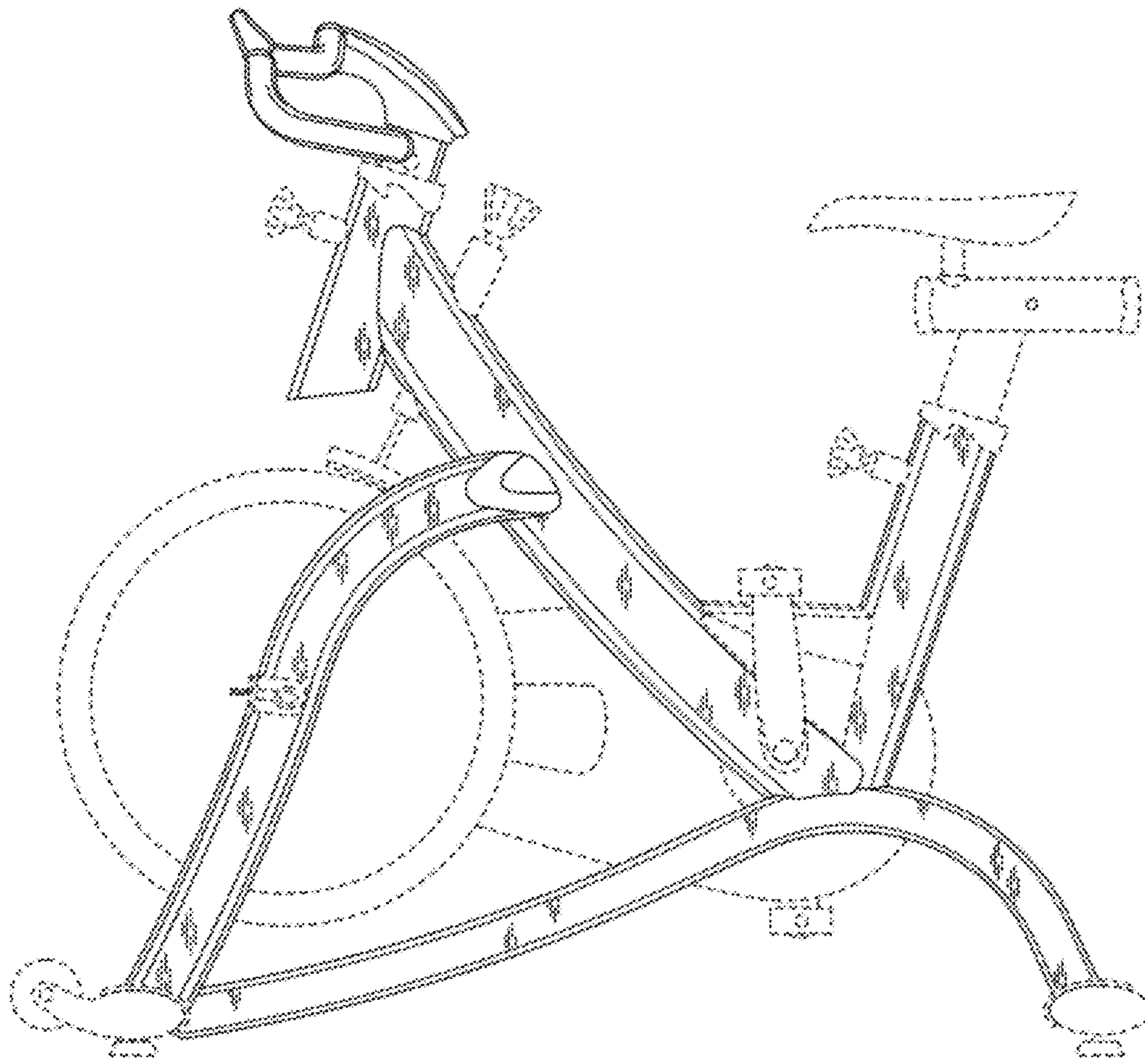


Fig. 5

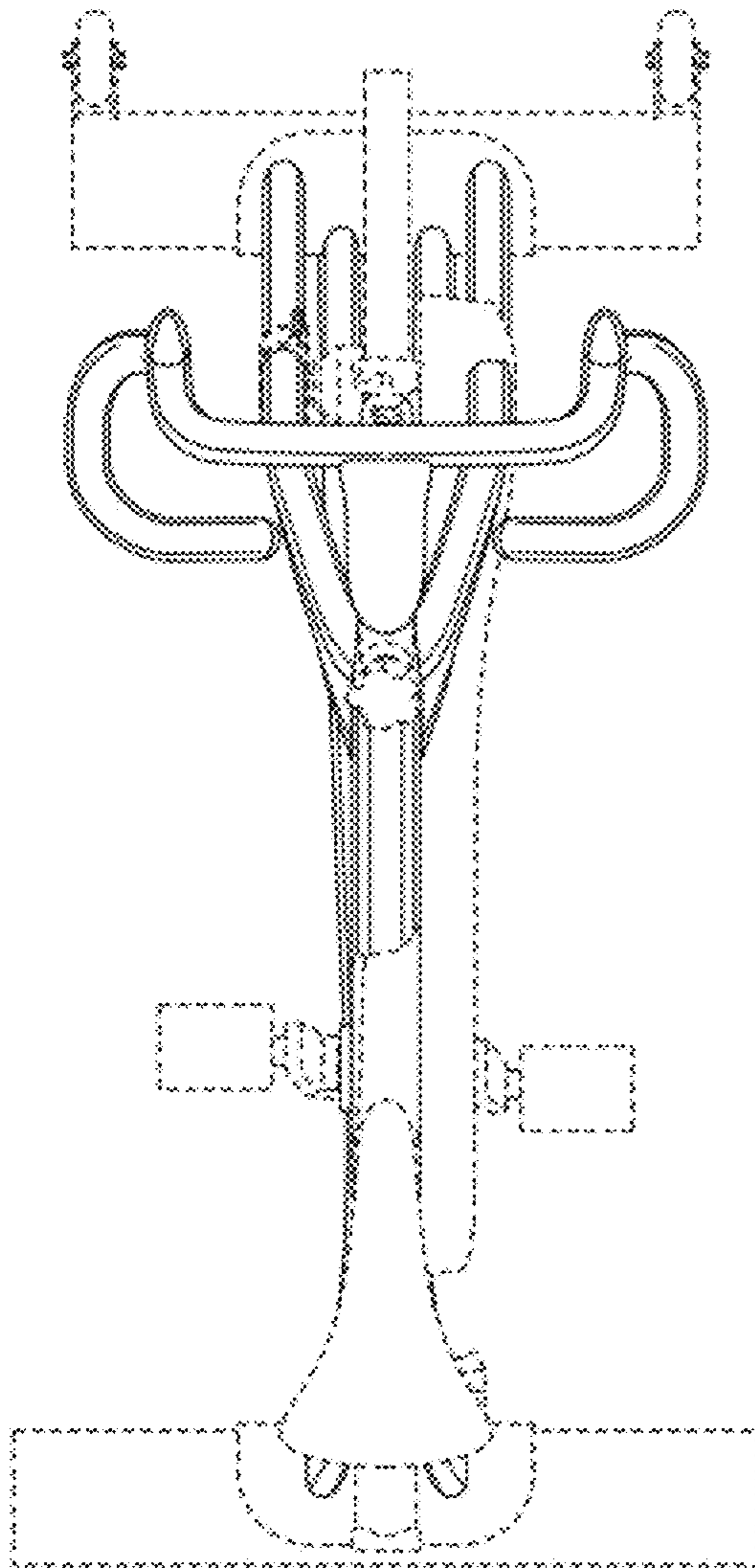


Fig. 6

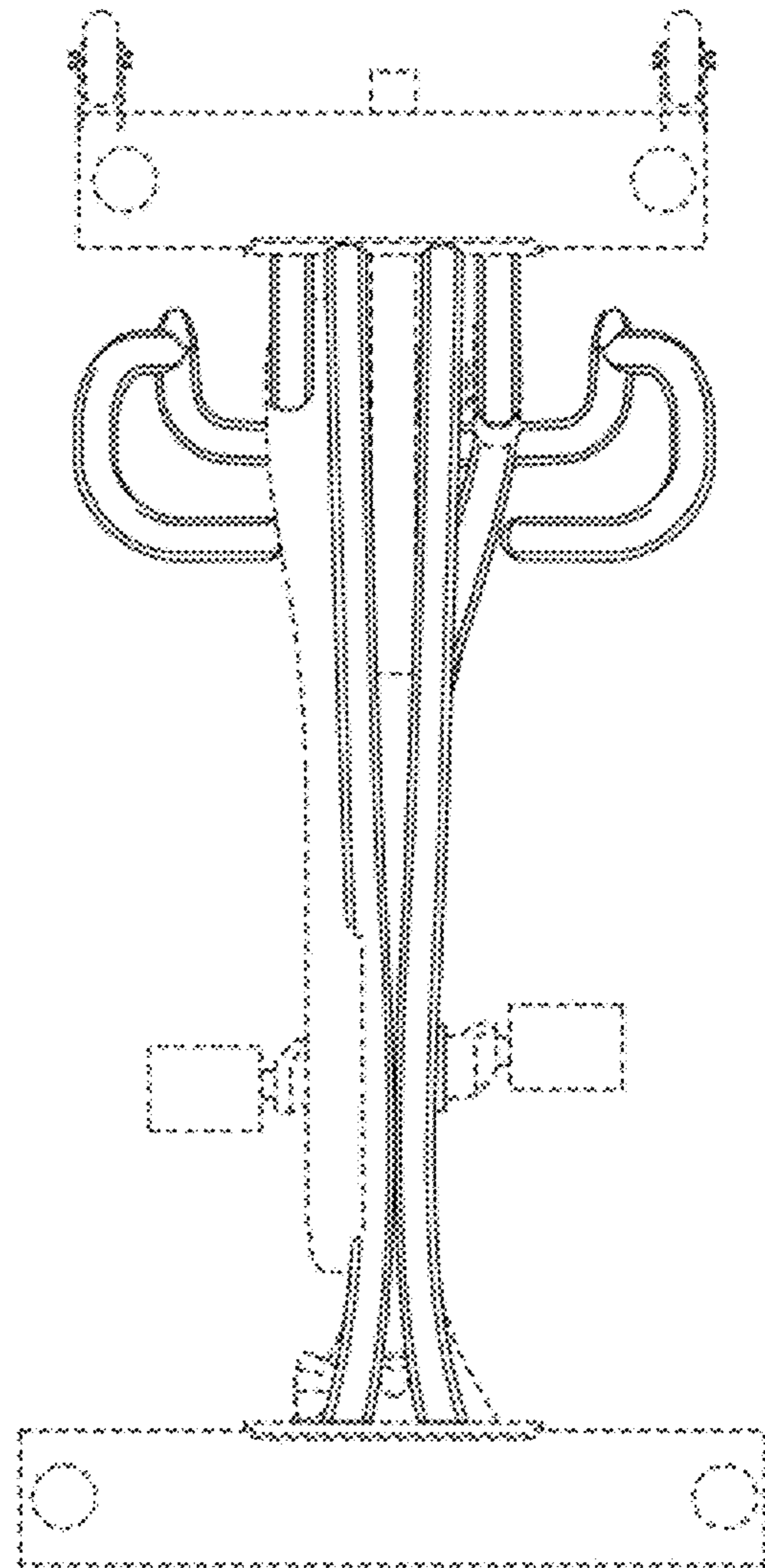


Fig. 7

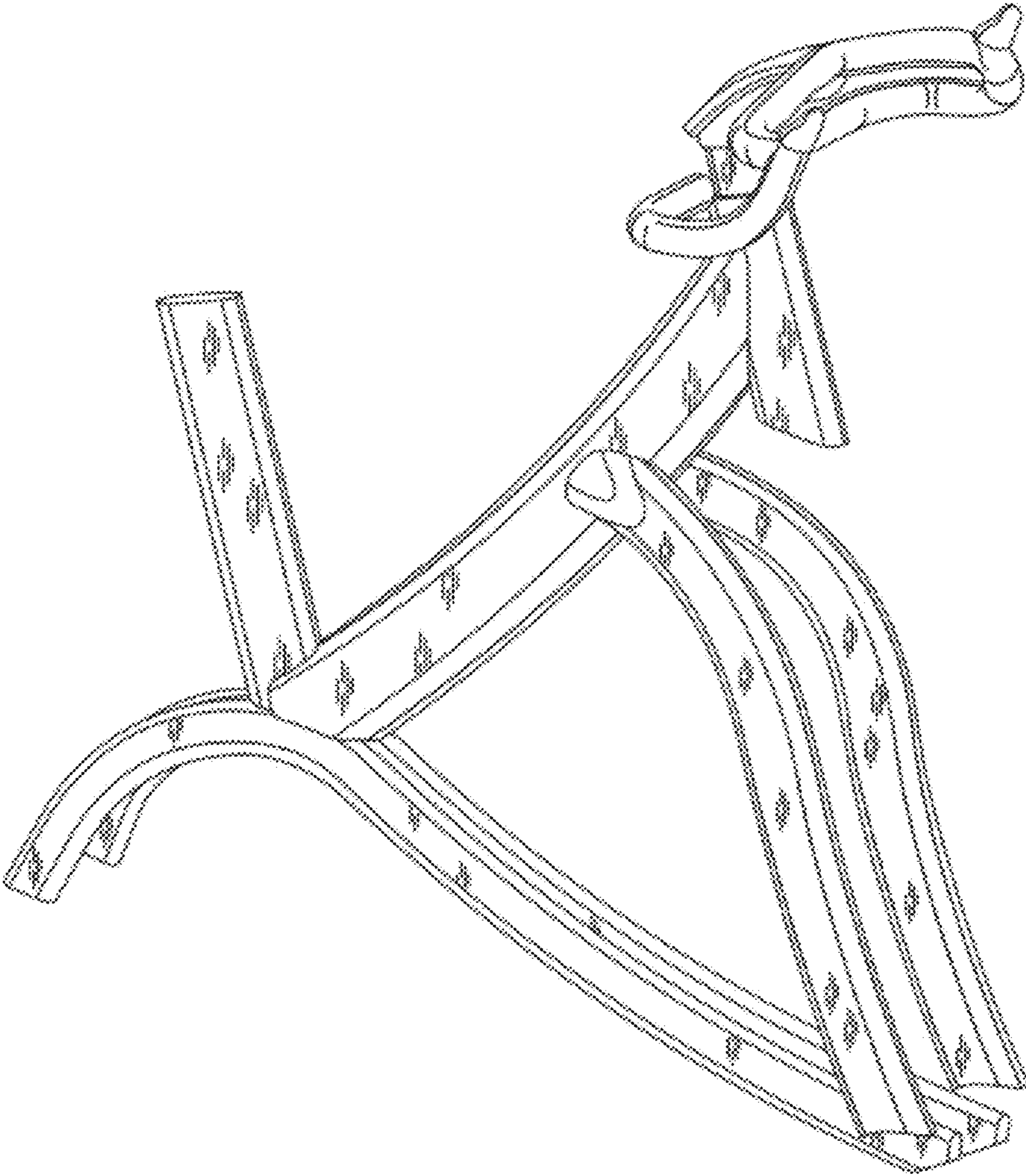


Fig. 8

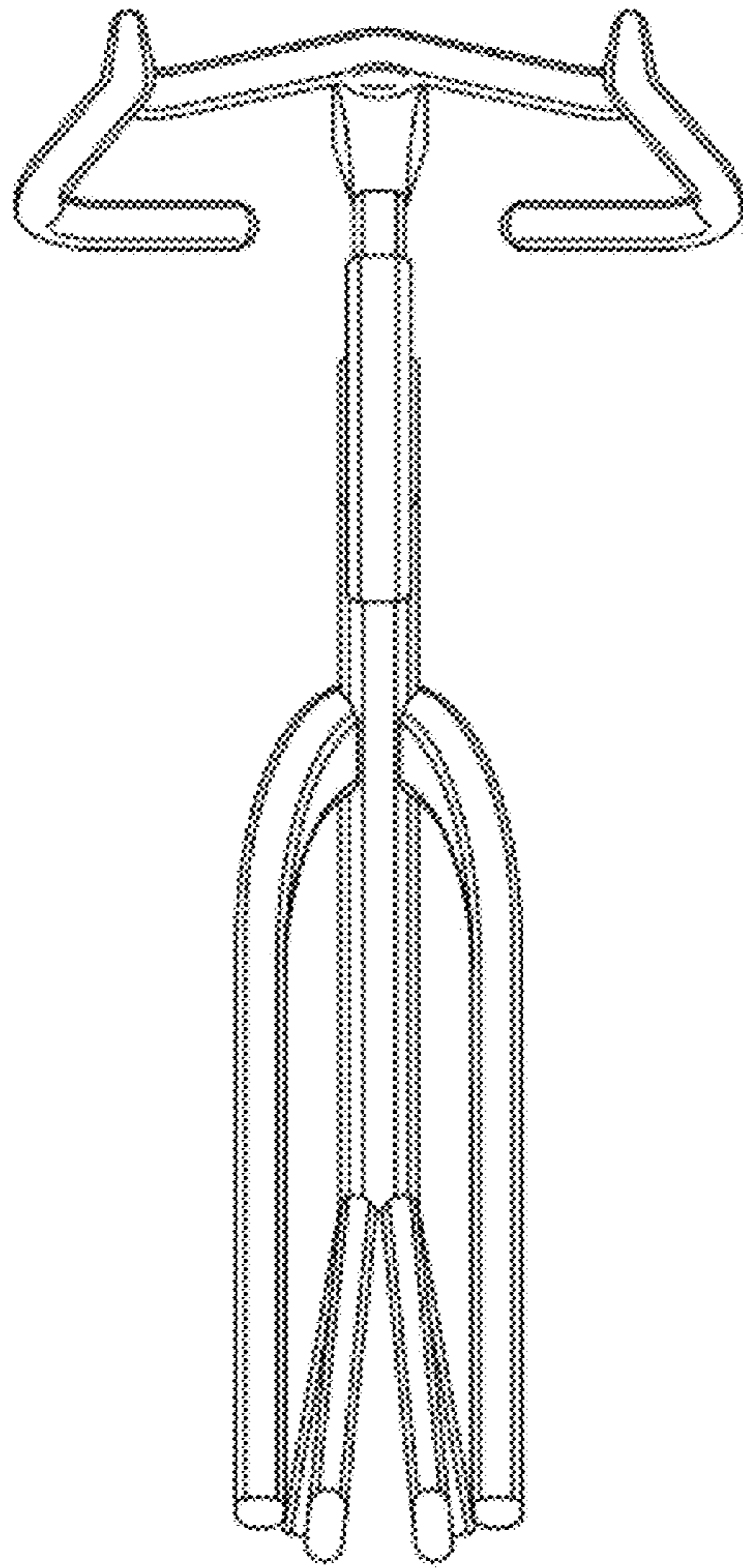


Fig. 9

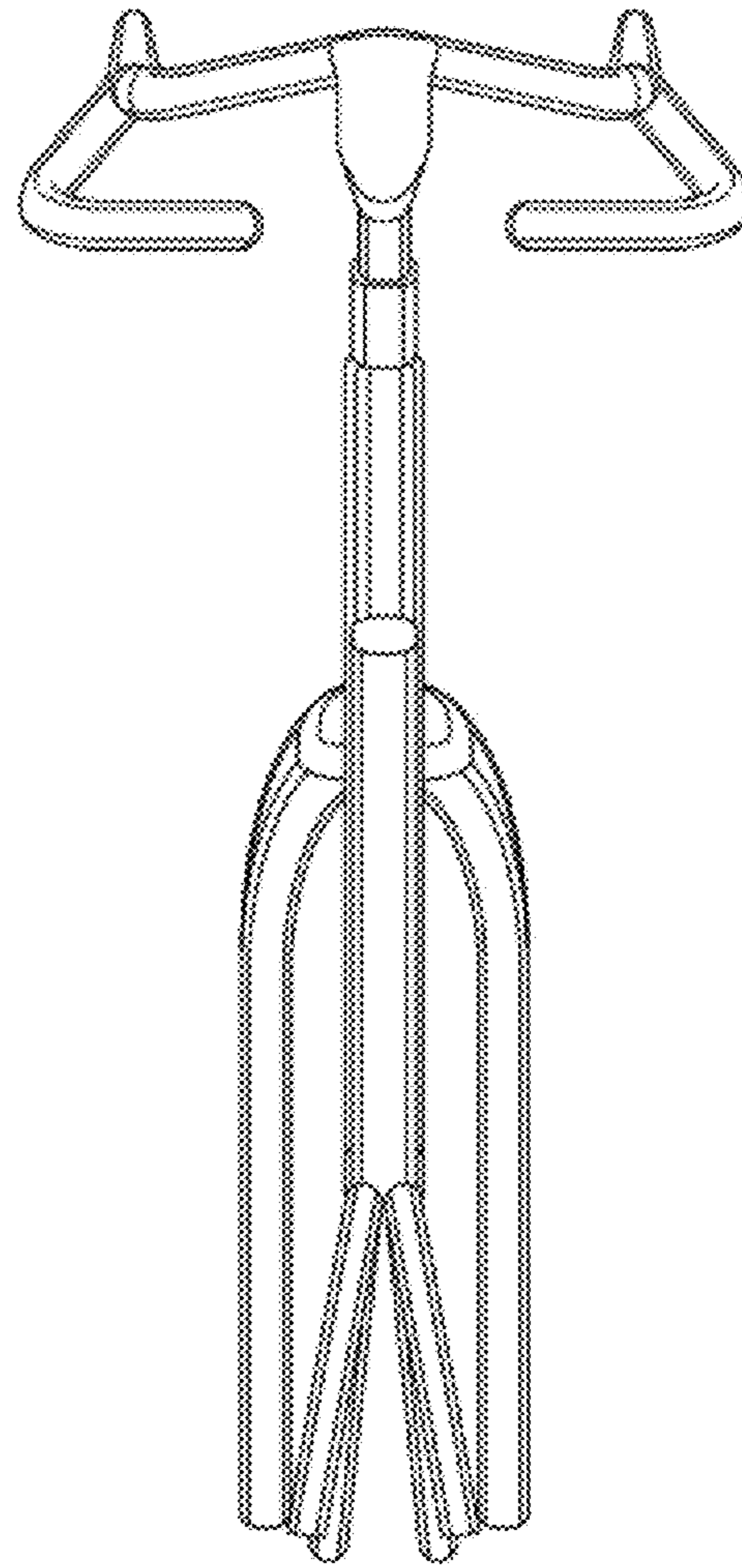


Fig. 10

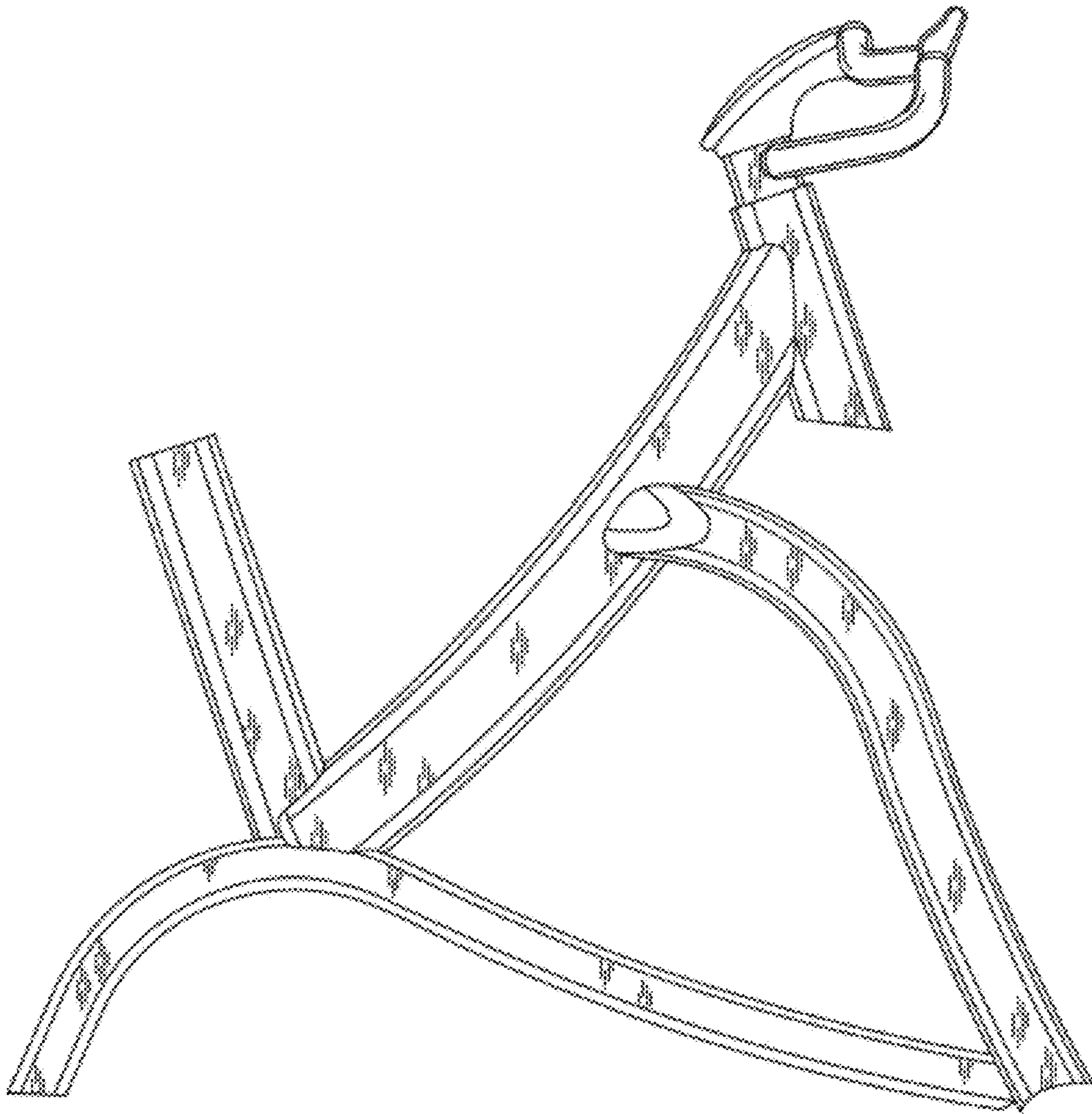


Fig. 11

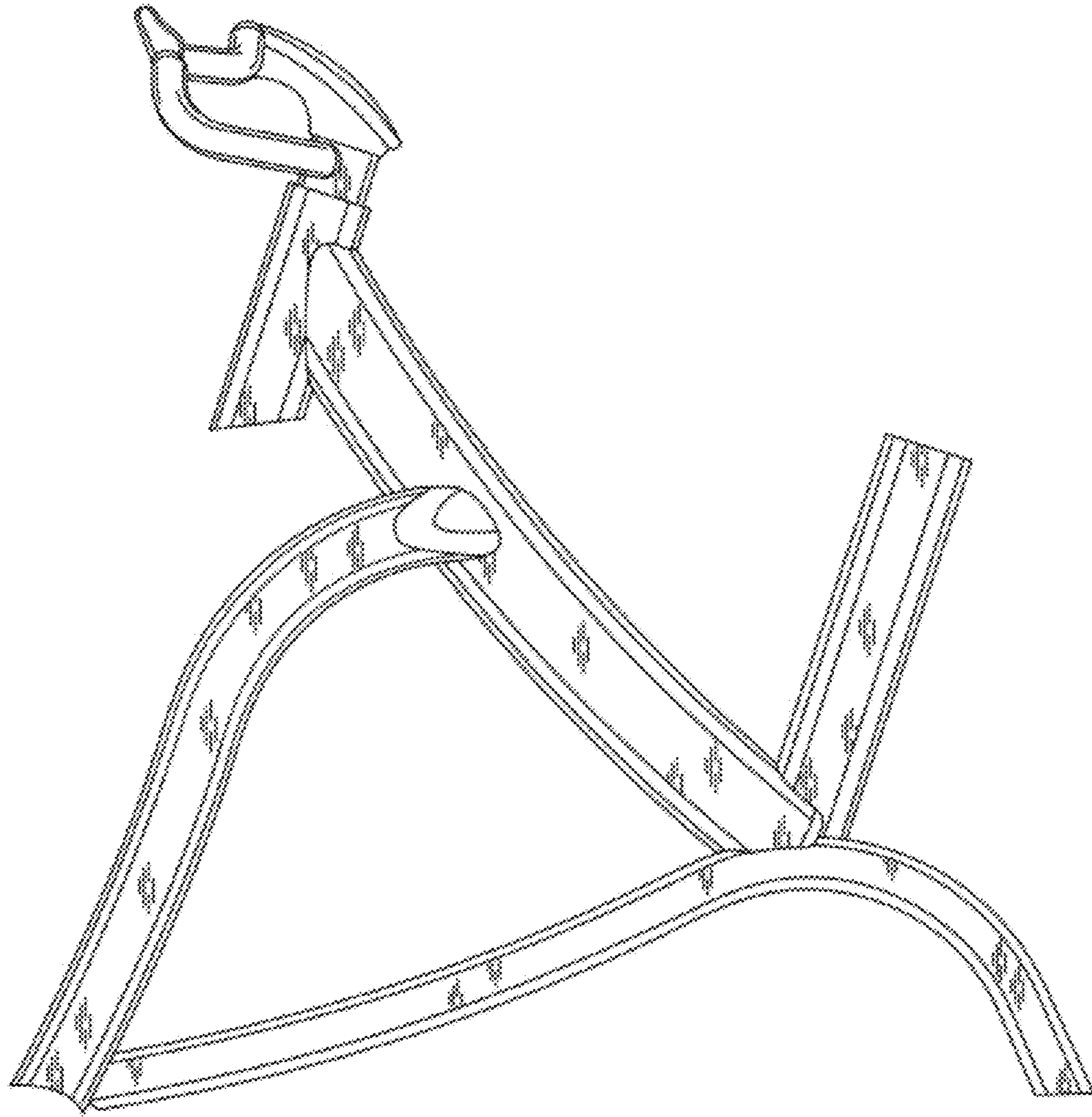


Fig. 12

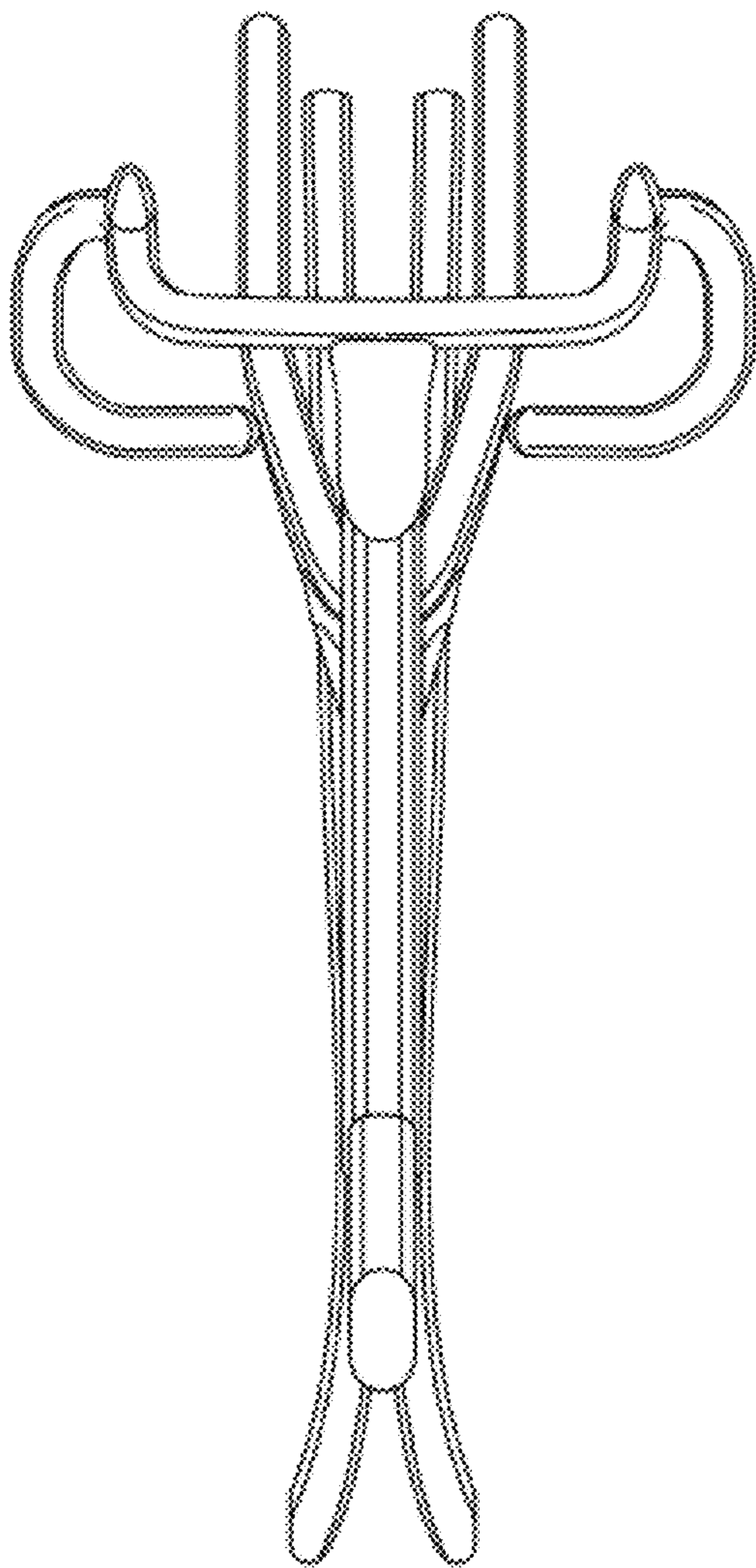


Fig. 13

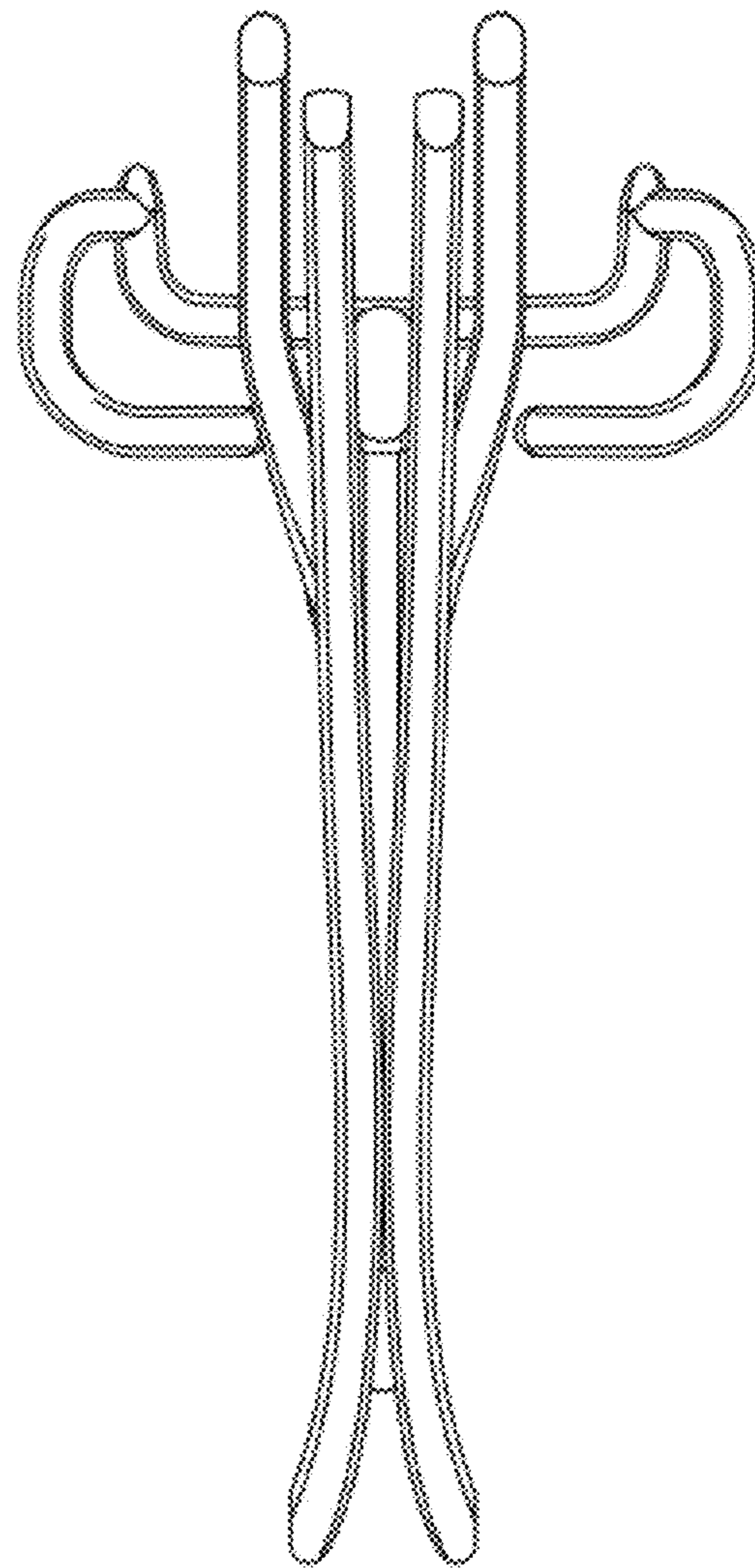


Fig. 14