



US00D677345S

(12) **United States Design Patent**
Isted

(10) **Patent No.:** **US D677,345 S**
(45) **Date of Patent:** **** Mar. 5, 2013**

(54) **TOY CAR**

(75) Inventor: **Matthew Isted**, Wolverhampton (GB)

(73) Assignee: **China Industries Limited**,
Wolverhampton (GB)

(**) Term: **14 Years**

(21) Appl. No.: **29/389,194**

(22) Filed: **Apr. 7, 2011**

(30) **Foreign Application Priority Data**

Jan. 24, 2011 (EM) 001809930

(51) **LOC (9) Cl.** **21-01**

(52) **U.S. Cl.** **D21/551; D21/548**

(58) **Field of Classification Search** D14/143,
D14/147, 218; D21/539, 548, 549, 550,
D21/551, 552, 562, 580, 581; 446/431, 447-448,
446/456, 465-466; 455/344, 351

See application file for complete search history.

(56) **References Cited**

U.S. PATENT DOCUMENTS

D218,340 S *	8/1970	McLaren	D21/548
D282,729 S *	2/1986	Lunn	D12/88
D317,309 S *	6/1991	Yeh	D14/217
D404,691 S *	1/1999	Gerisch et al.	D12/92
D534,592 S *	1/2007	Hill	D21/549
D536,397 S *	2/2007	Fine et al.	D21/551
D550,124 S *	9/2007	Agullo Spottorno et al.	..	D12/92
D550,126 S *	9/2007	Amprimo et al.	D12/92
D552,513 S *	10/2007	Castriota	D12/92
D612,298 S *	3/2010	Coco	D12/92
2012/0040587 A1 *	2/2012	Doherty et al.	446/456

FOREIGN PATENT DOCUMENTS

CN	201565131 U *	9/2010
CN	202146614 U *	2/2012
DE	1728107 B *	6/1976
JP	2010240280 A *	10/2010
KR	2011113870 A *	10/2011

OTHER PUBLICATIONS

Wow Stuff. iKon RC. China Industries Limited, The Creative Industries Centre. Feb. 14, 2011 [online], [retrieved on Sep. 10, 2012]. Retrieved from the Internet <URL: <http://wowstuff.co.uk/product/iKon-RC/1>>.*

WowStuffOnline. The Buggy from iKon RC. YouTube. Aug. 24, 2011 [online], [retrieved on Sep. 10, 2012]. Retrieved from the Internet <URL: http://www.youtube.com/watch?v=9CZzPaTacFw&feature=player_embedded>.*

BandaiAmerica. Cyclaws. YouTube. Sep. 16, 2010 [online], [retrieved on Sep. 10, 2012]. Retrieved from the Internet <URL: <http://www.youtube.com/watch?v=b8RQYSiCe54>>.*

* cited by examiner

Primary Examiner — Philip S Hyder

Assistant Examiner — Darlington Ly

(74) *Attorney, Agent, or Firm* — Workman Nydegger

(57) **CLAIM**

The ornamental design for a toy car, as shown and described.

DESCRIPTION

FIG. 1 is a top perspective view of a toy car of the present invention;

FIG. 2 is a bottom perspective view thereof;

FIG. 3 is a side view thereof;

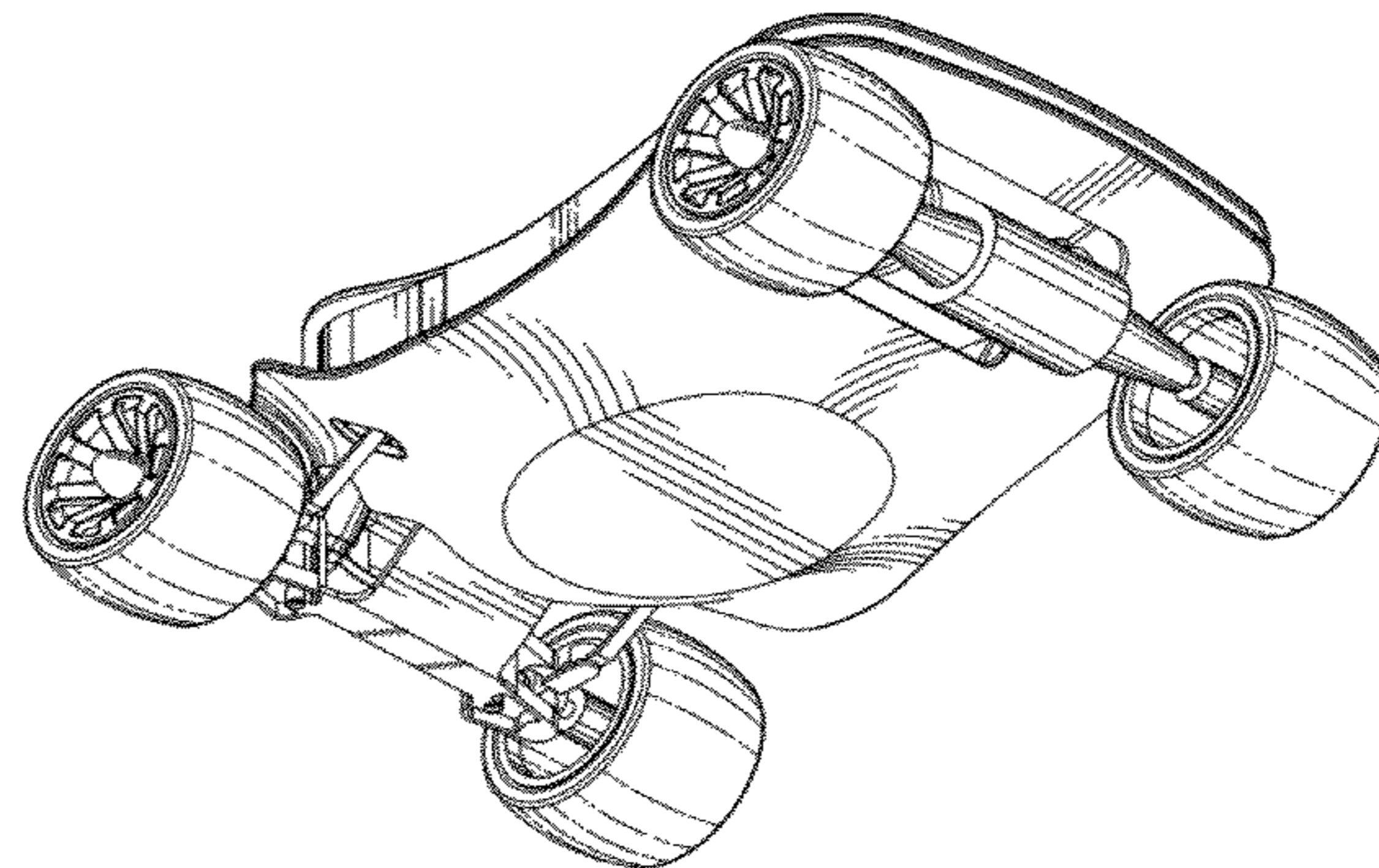
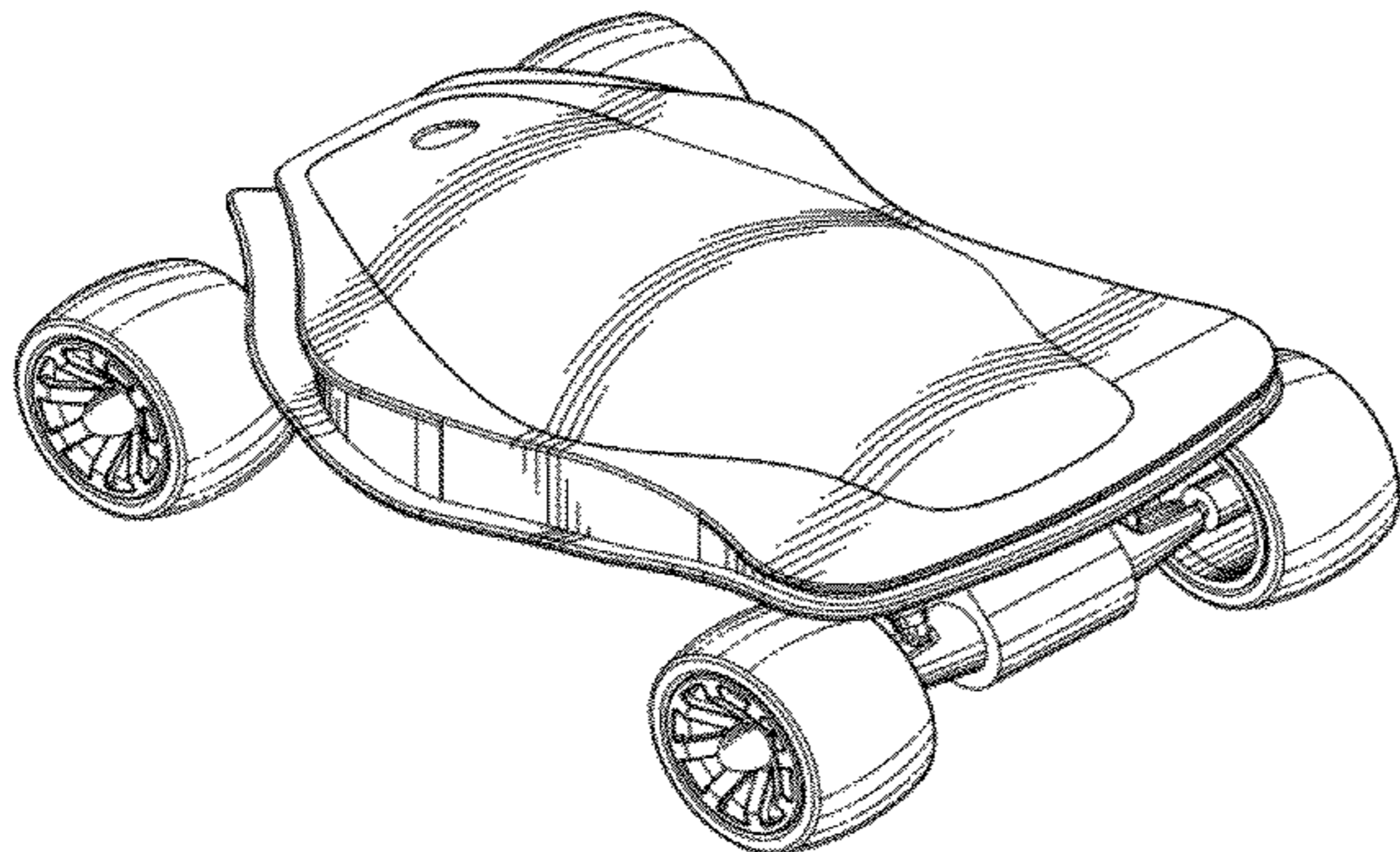
FIG. 4 is an opposing side view thereof;

FIG. 5 is a front view thereof;

FIG. 6 is a rear view thereof; and,

FIG. 7 is a top view thereof.

1 Claim, 7 Drawing Sheets



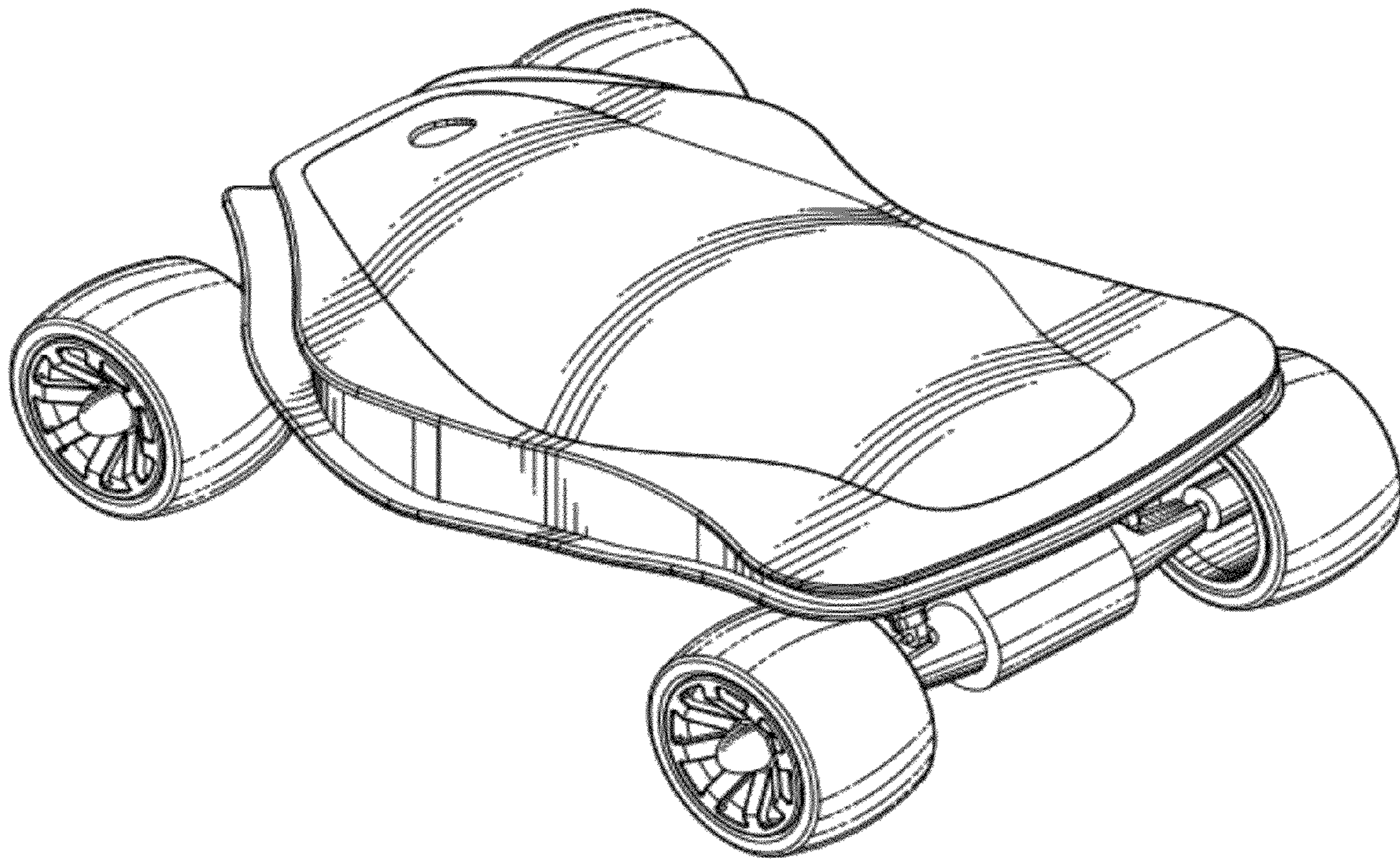


Fig. 1

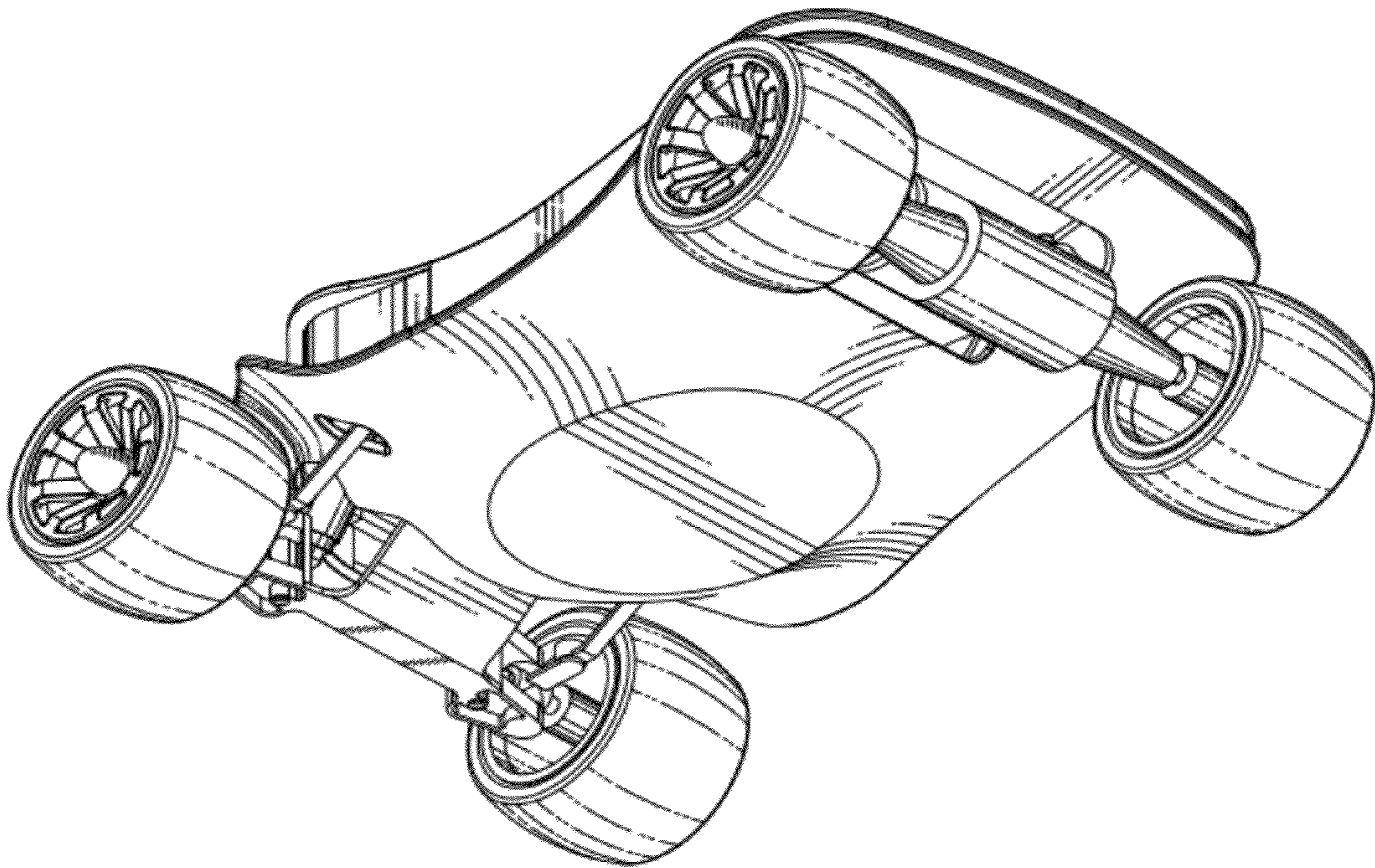


Fig. 2

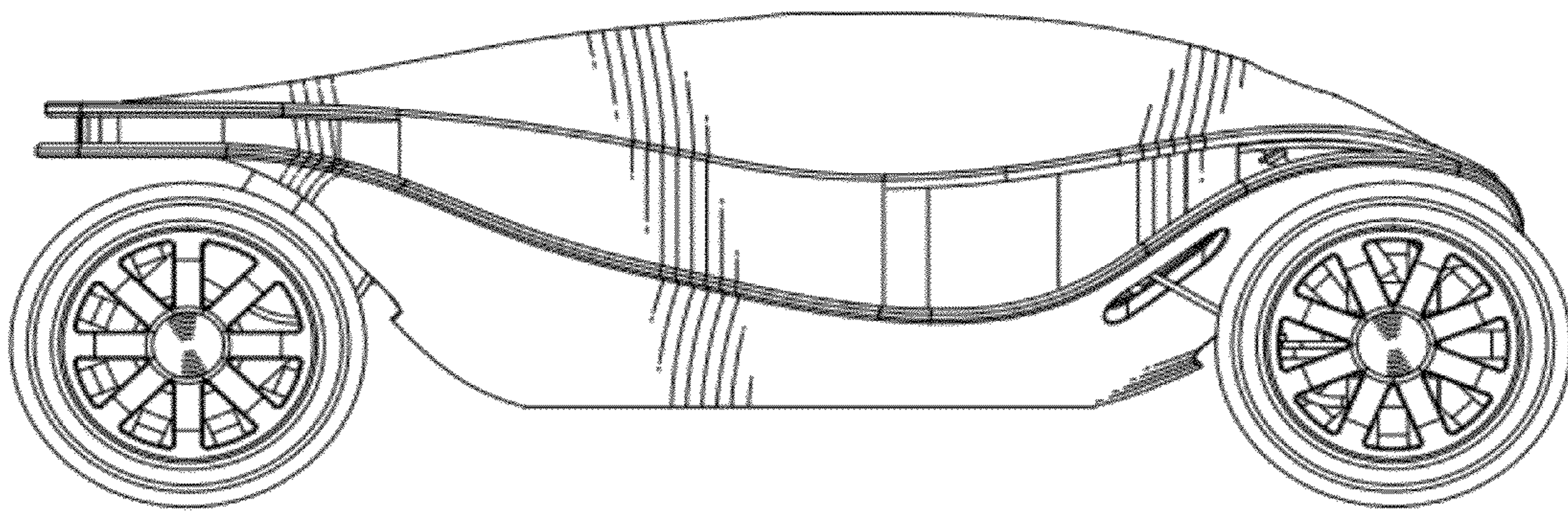


Fig. 3

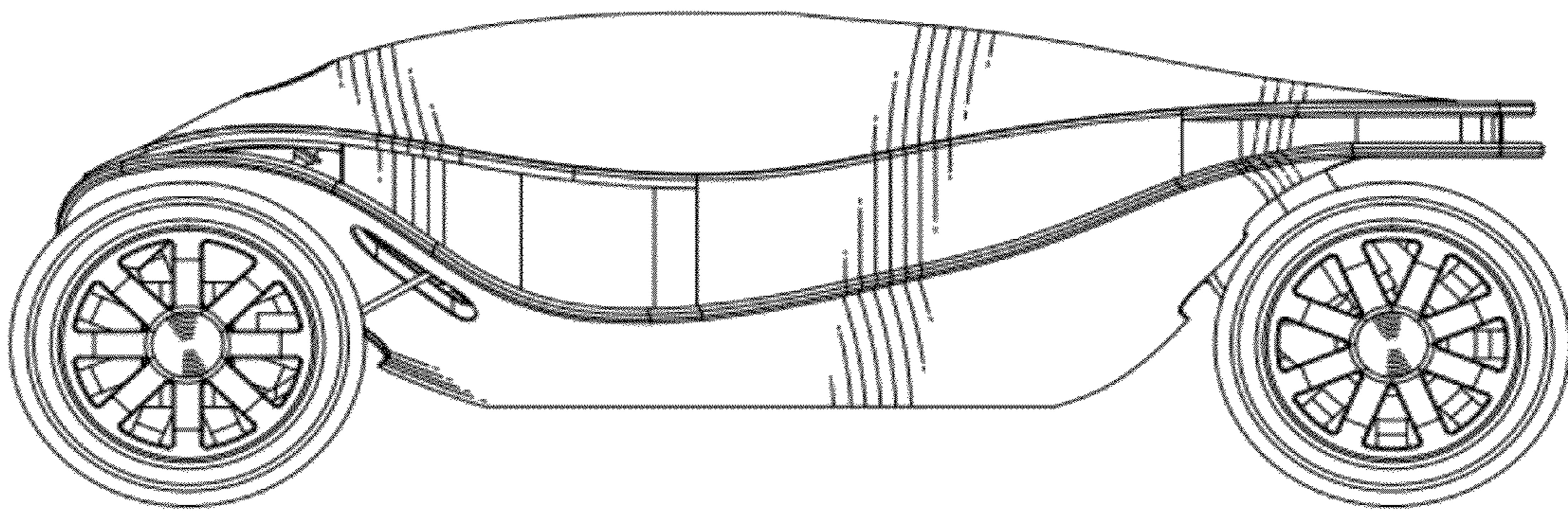


Fig. 4

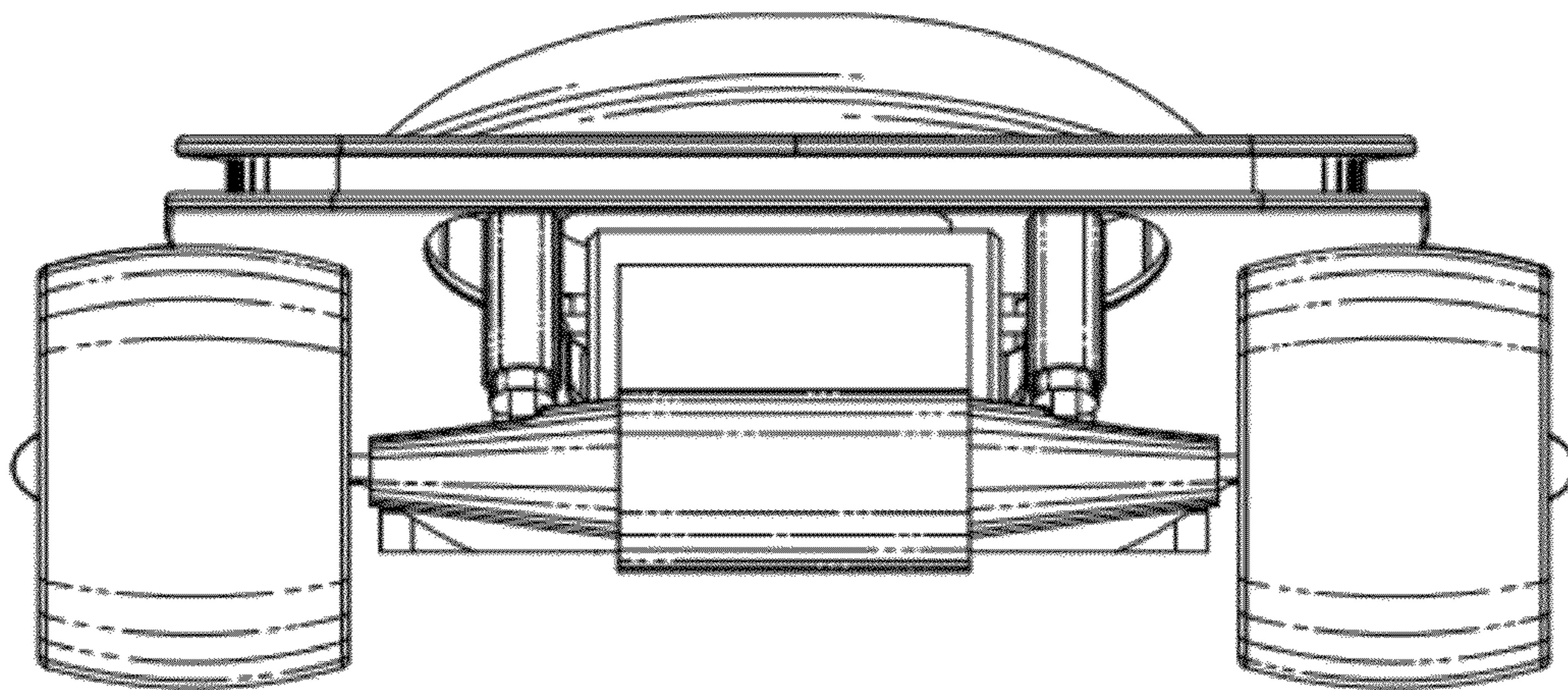


Fig. 5

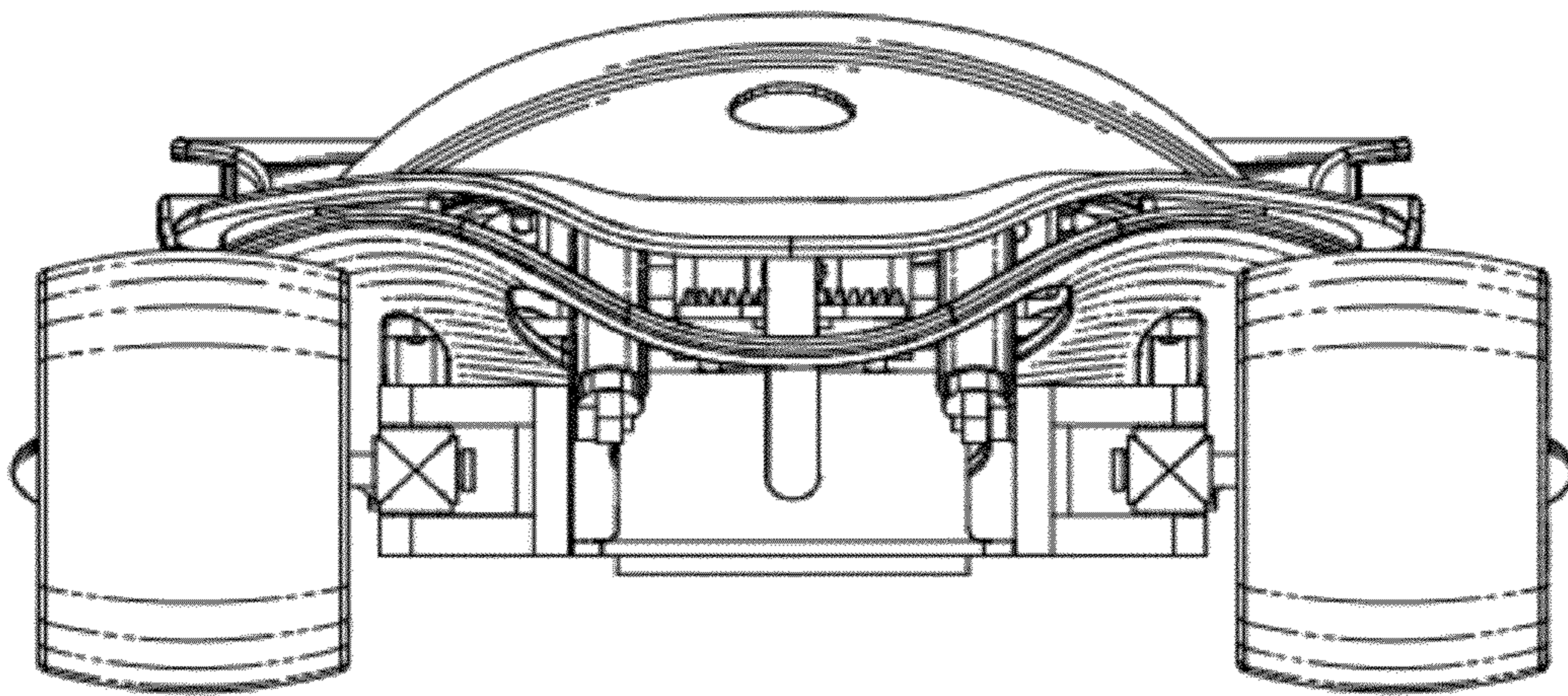


Fig. 6

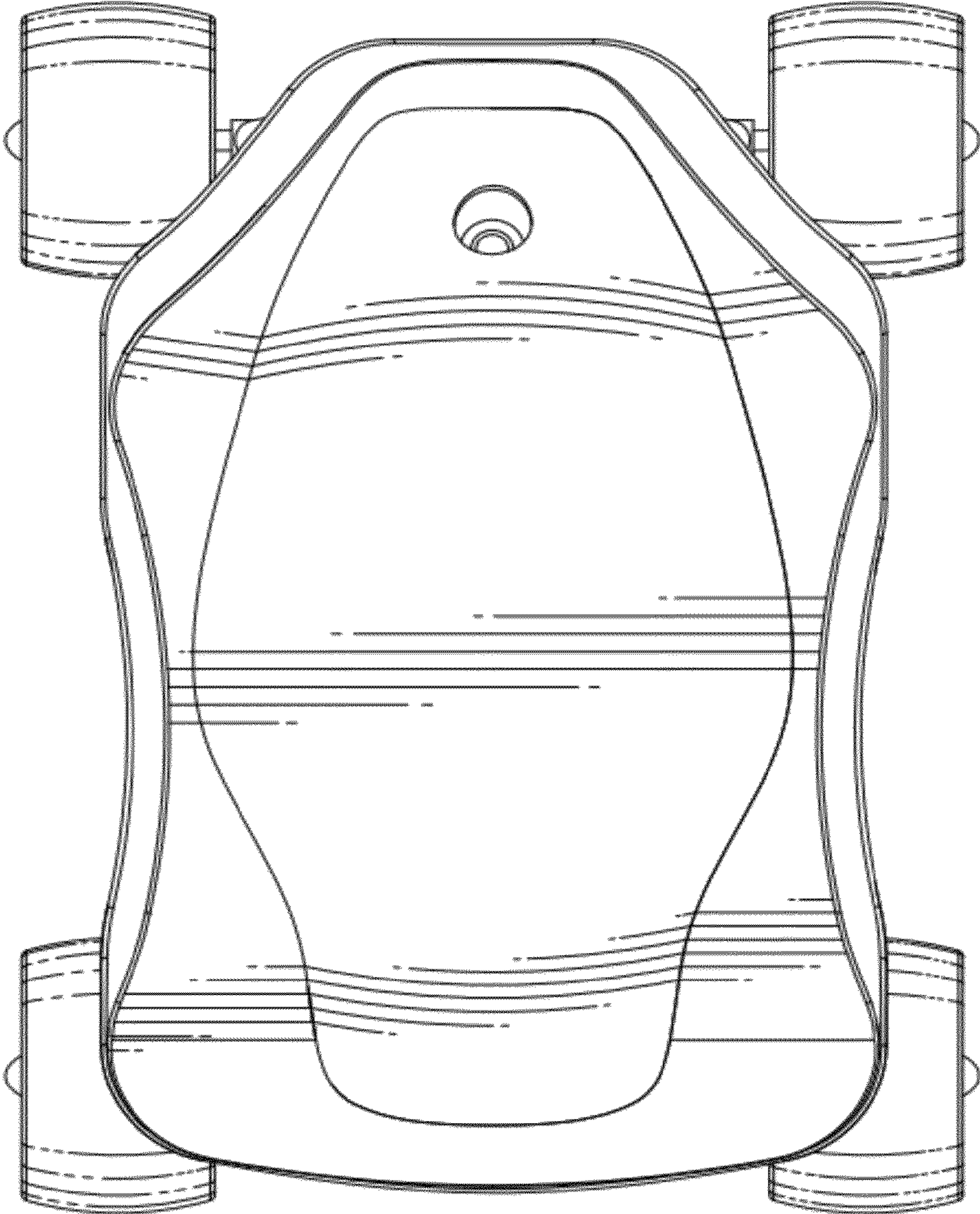


Fig. 7