



US00D677343S

(12) **United States Design Patent**
Chase et al.

(10) **Patent No.:** **US D677,343 S**
(45) **Date of Patent:** **** Mar. 5, 2013**

(54) **TABLE**

(75) Inventors: **Mark Chase**, Minneapolis, MN (US);
Daniel J. Hoyord, St. Paul, MN (US);
Justin F. Wood, Minneapolis, MN (US);
Christopher T. Sodt, Plymouth, MN
(US); **Joel T. Bodkin**, Minneapolis, MN
(US); **Wanda Dent**, Chanhassen, MN
(US)

(73) Assignee: **Target Brands, Inc.**, Minneapolis, MN
(US)

(**) Term: **14 Years**

(21) Appl. No.: **29/426,904**

(22) Filed: **Jul. 11, 2012**

(51) **LOC (9) Cl.** **21-01**

(52) **U.S. Cl.** **D21/522; D6/480**

(58) **Field of Classification Search** D6/480,
D6/406.1, 353, 406.6, 484, 430, 349, 397,
D6/396, 485, 490; 446/85, 91, 102–128,
446/71, 73, 75, 77; D21/397, 521, 522, 494,
D21/519, 485; 108/26, 11, 12, 13, 14, 25
See application file for complete search history.

(56) **References Cited**

U.S. PATENT DOCUMENTS

D265,026	S	*	6/1982	Macho et al.	D6/353
D267,214	S	*	12/1982	Orenstein	D21/397
D269,196	S	*	5/1983	Appel et al.	D21/522
D277,877	S		3/1985	Chatani		
D282,218	S	*	1/1986	Catelli	D21/522
D318,960	S	*	8/1991	Lilly et al.	D6/406.6
D326,295	S	*	5/1992	Monneret	D21/521
5,218,912	A	*	6/1993	Buske	108/26
D350,247	S	*	9/1994	Buske	D6/484
D358,421	S		5/1995	Chow et al.		
D358,511	S	*	5/1995	Frahm	D6/484
D377,378	S	*	1/1997	Monneret	D6/430
5,794,540	A		8/1998	Dombrowski et al.		
D474,900	S		5/2003	Underbrink		
D506,080	S	*	6/2005	Ho	D6/349
D563,122	S	*	3/2008	Kreiss	D6/480
D569,132	S	*	5/2008	Sexton	D6/480

D604,064	S	*	11/2009	Garbin	D6/480
D619,822	S	*	7/2010	Damgaard-Sorensen	..	D6/406.1
D624,606	S	*	9/2010	Carmack	D21/522
D647,145	S	*	10/2011	Damhorst	D21/521
2004/0060483	A1		4/2004	Underbrink		

OTHER PUBLICATIONS

“Imaginarium Flip and Fold Double-Sided Easel—Primary Colors,”
printed from www.toysrus.com in Nov. 2011 (3 pages).
“EverEarth Flip Over Music Triangle,” printed from www.
outofthetoybox.com in Nov. 2011 (4 pages).
“Crayola Childrens Qwik Flip 2-sided Easel,” printed from www.
ebay.com in Nov. 2011 (4 pages).
“Music Activity Table,” printed from www.amazon.com in Nov.
2011 (5 pages).
“Boikido Wooden Percussion Table,” printed from www.amazon.
com in Nov. 2011 (6 pages).
“Musical Slices of Fun Table by Anatex,” printed from www.amazon.
com in Nov. 2011 (6 pages).
“2-in-1 Discovery Table,” printed from www.vtechkids.com/prod-
uct/detail/2059/2-in-1-Discovery-Table in Nov. 2011 (4 pages).

* cited by examiner

Primary Examiner — Philip S Hyder

Assistant Examiner — Sydney Buffalow

(74) *Attorney, Agent, or Firm* — Griffiths & Seaton PLLC

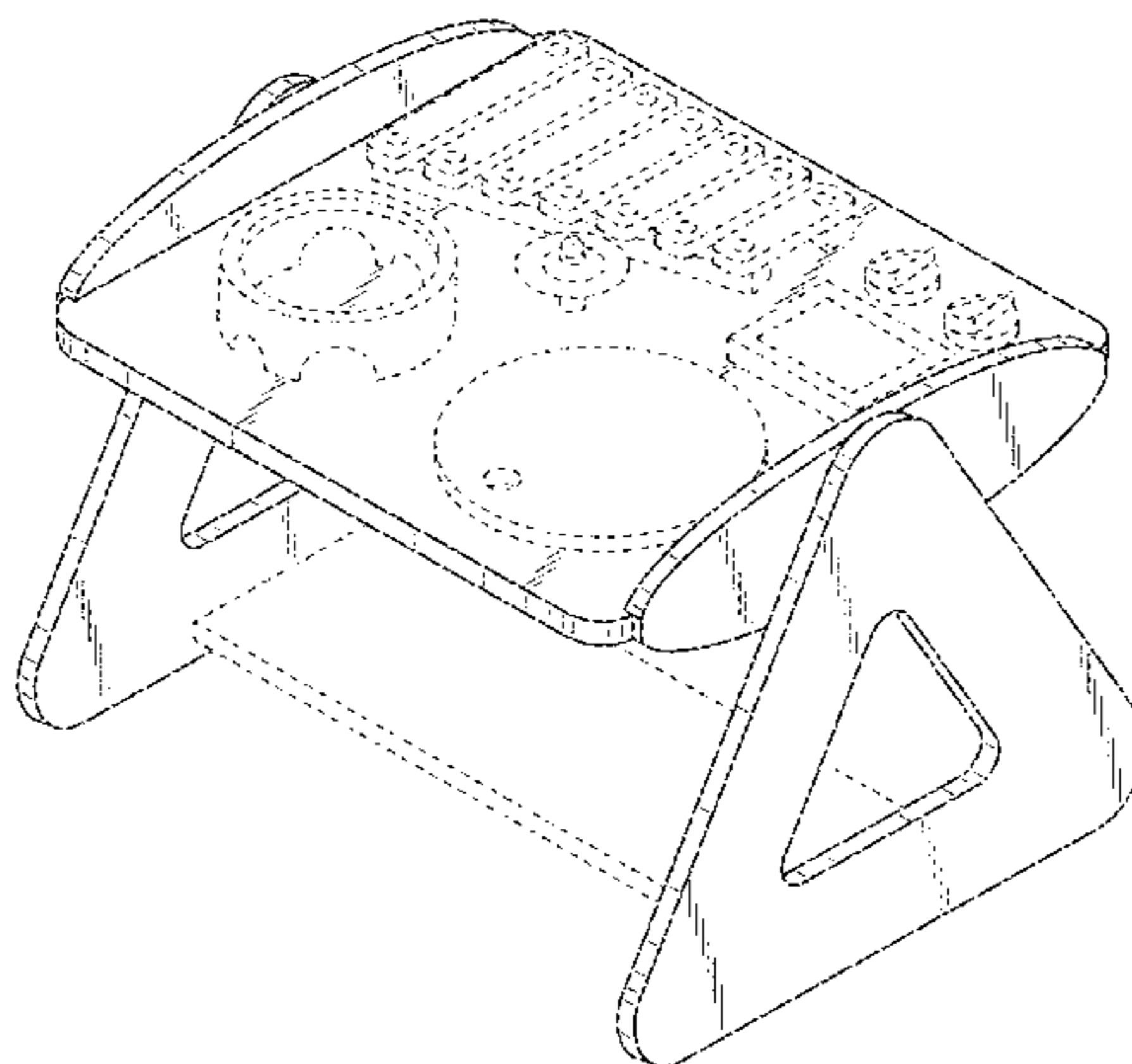
(57) **CLAIM**

The ornamental design for a table, as shown and described.

DESCRIPTION

FIG. 1 is a front, perspective view of a table showing our new
design;
FIG. 2 is a front view thereof;
FIG. 3 is a rear view thereof;
FIG. 4 is a right side view thereof;
FIG. 5 is a left side view thereof;
FIG. 6 is a top view thereof; and,
FIG. 7 is a bottom view thereof.
The features shown in broken lines are environmental subject
matter to the table or portions of the table forming no part of
the claimed design.

1 Claim, 7 Drawing Sheets



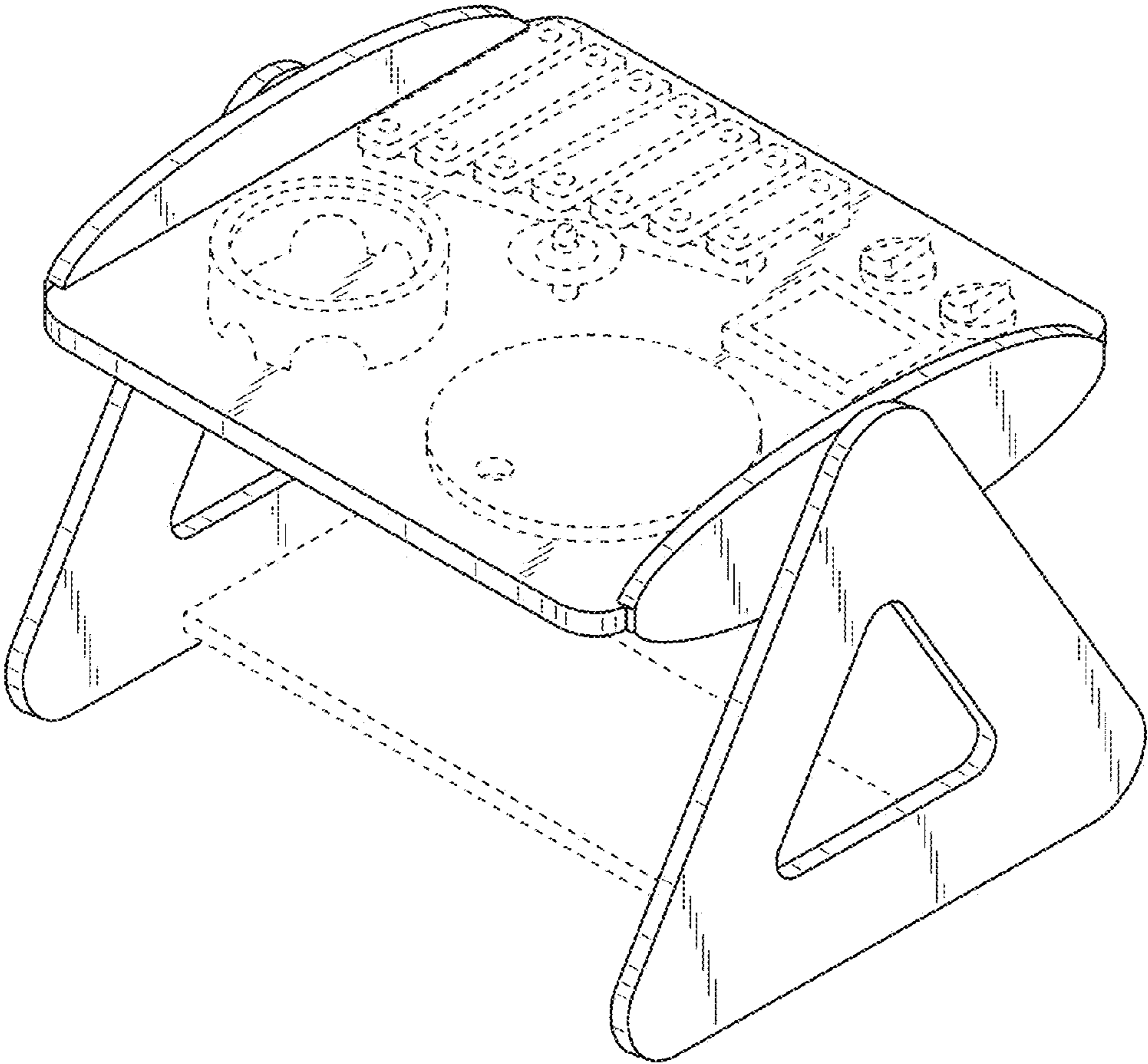


FIG. 1

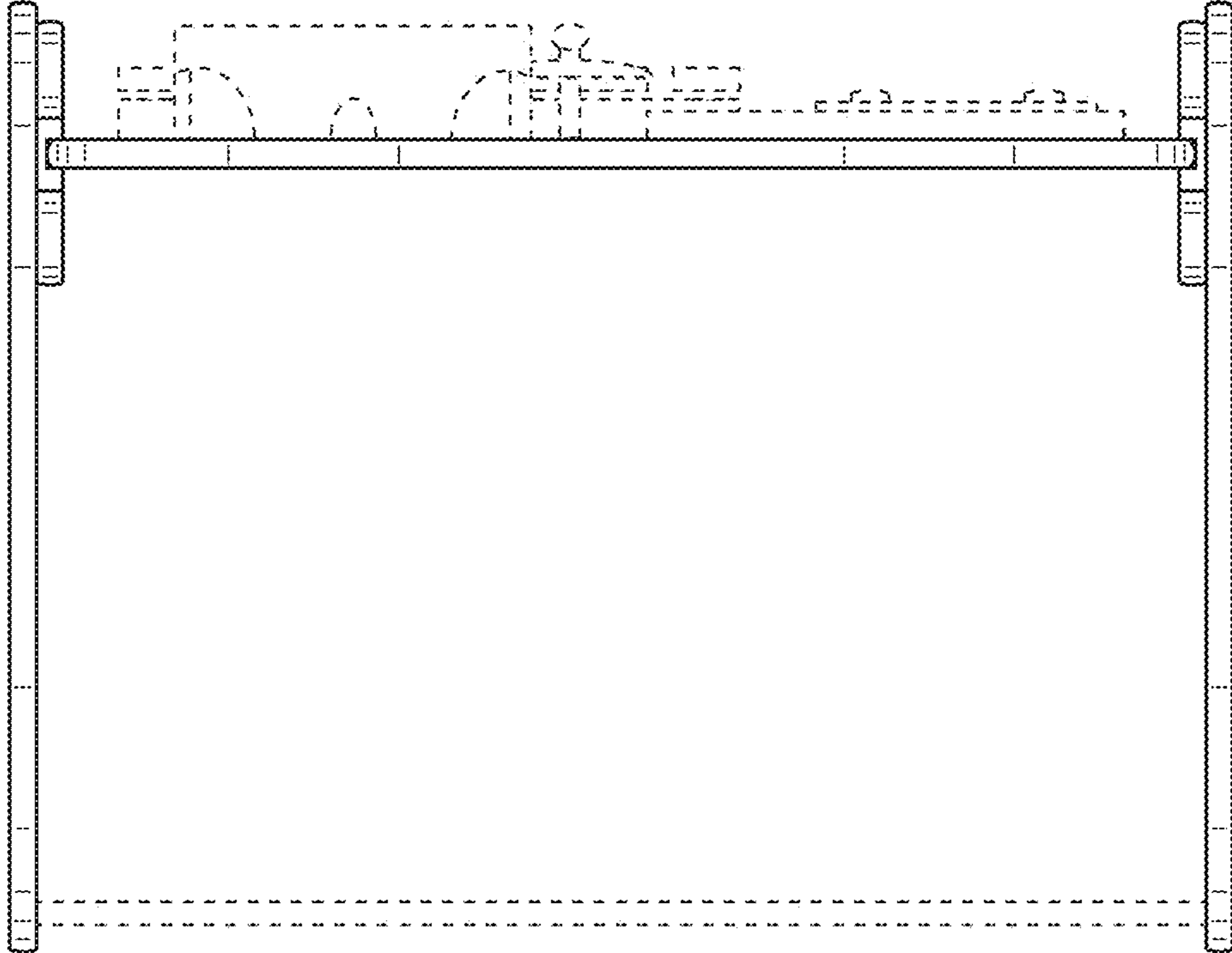


FIG. 2

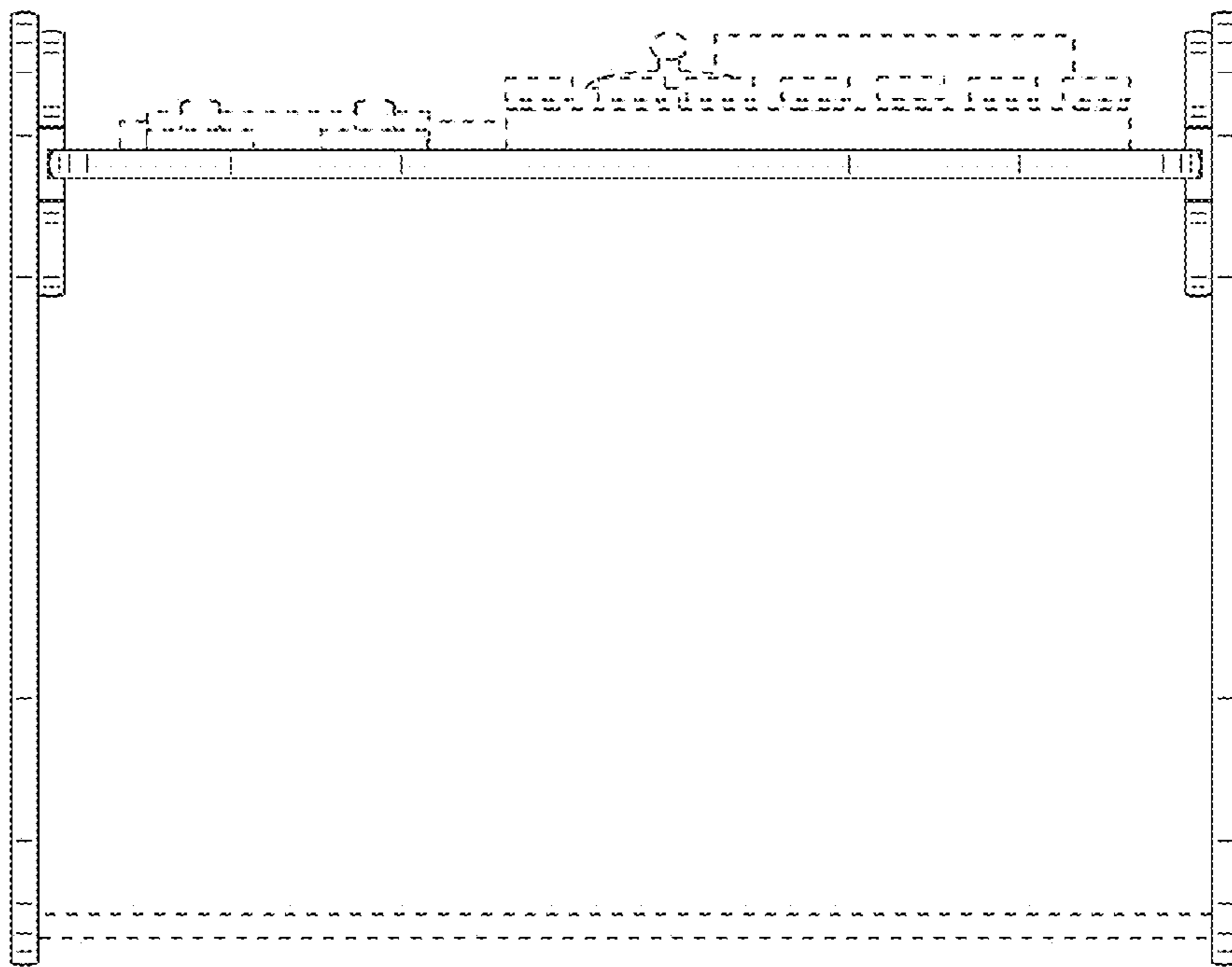


FIG. 3

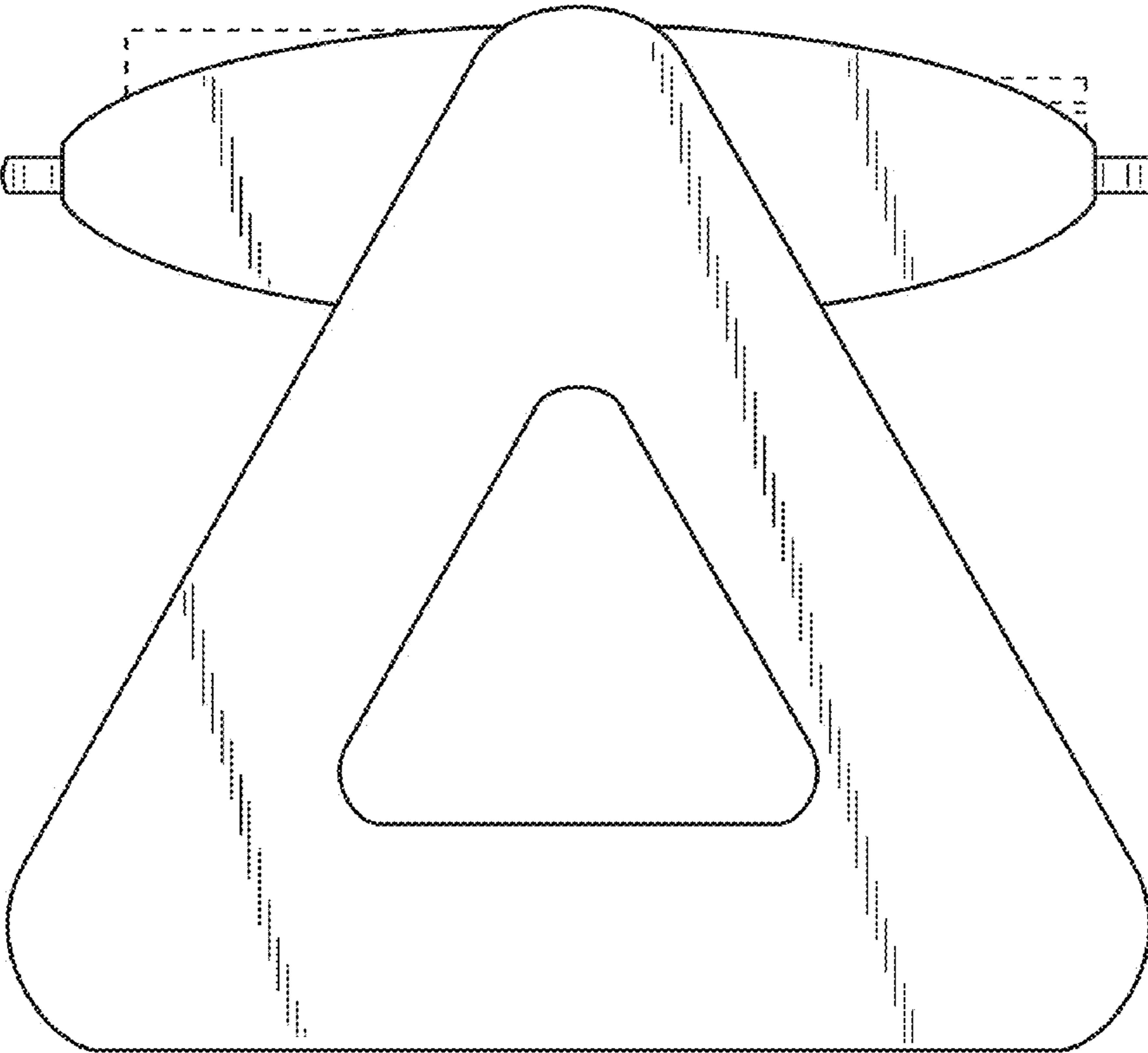


FIG. 4

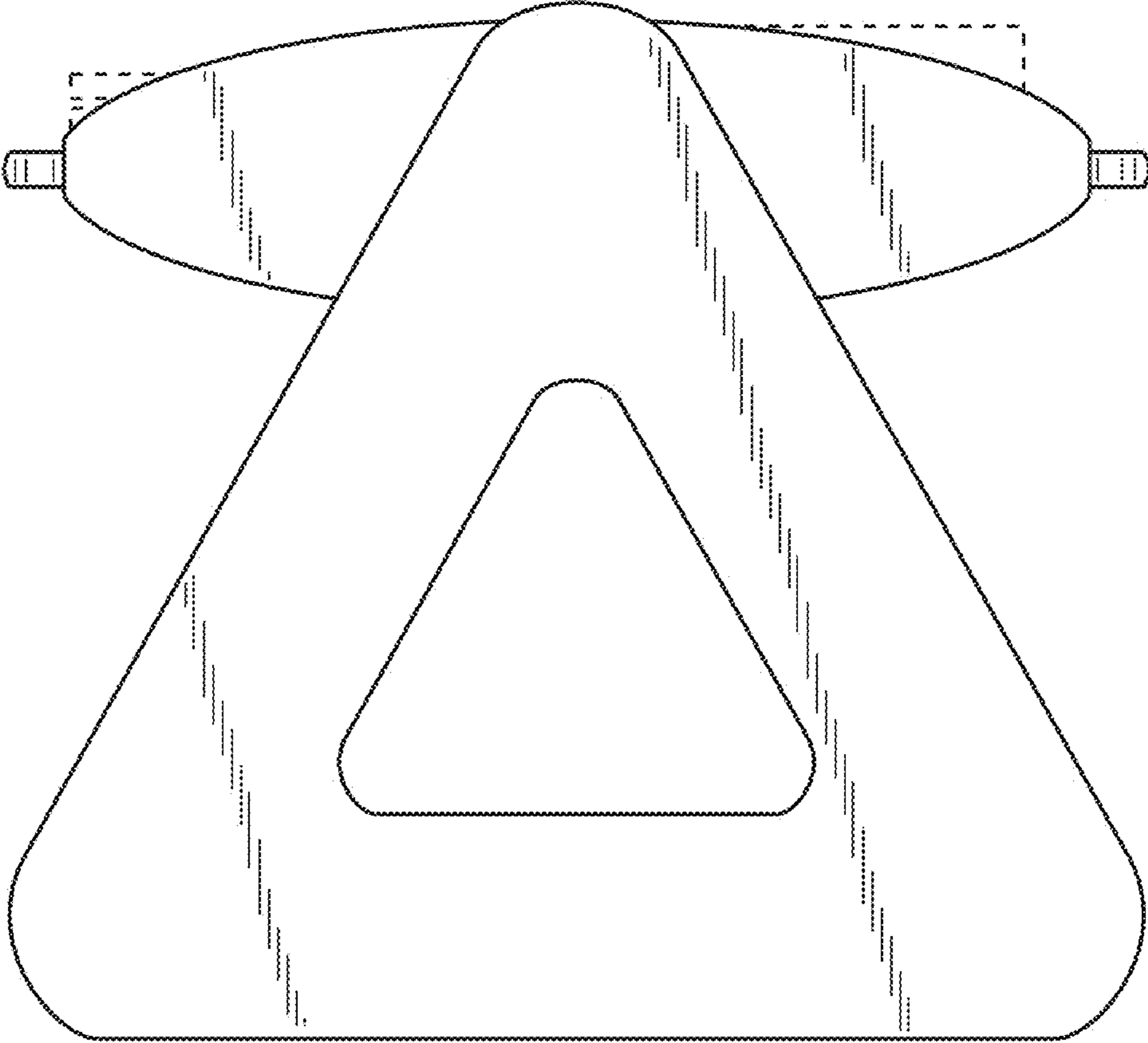


FIG. 5

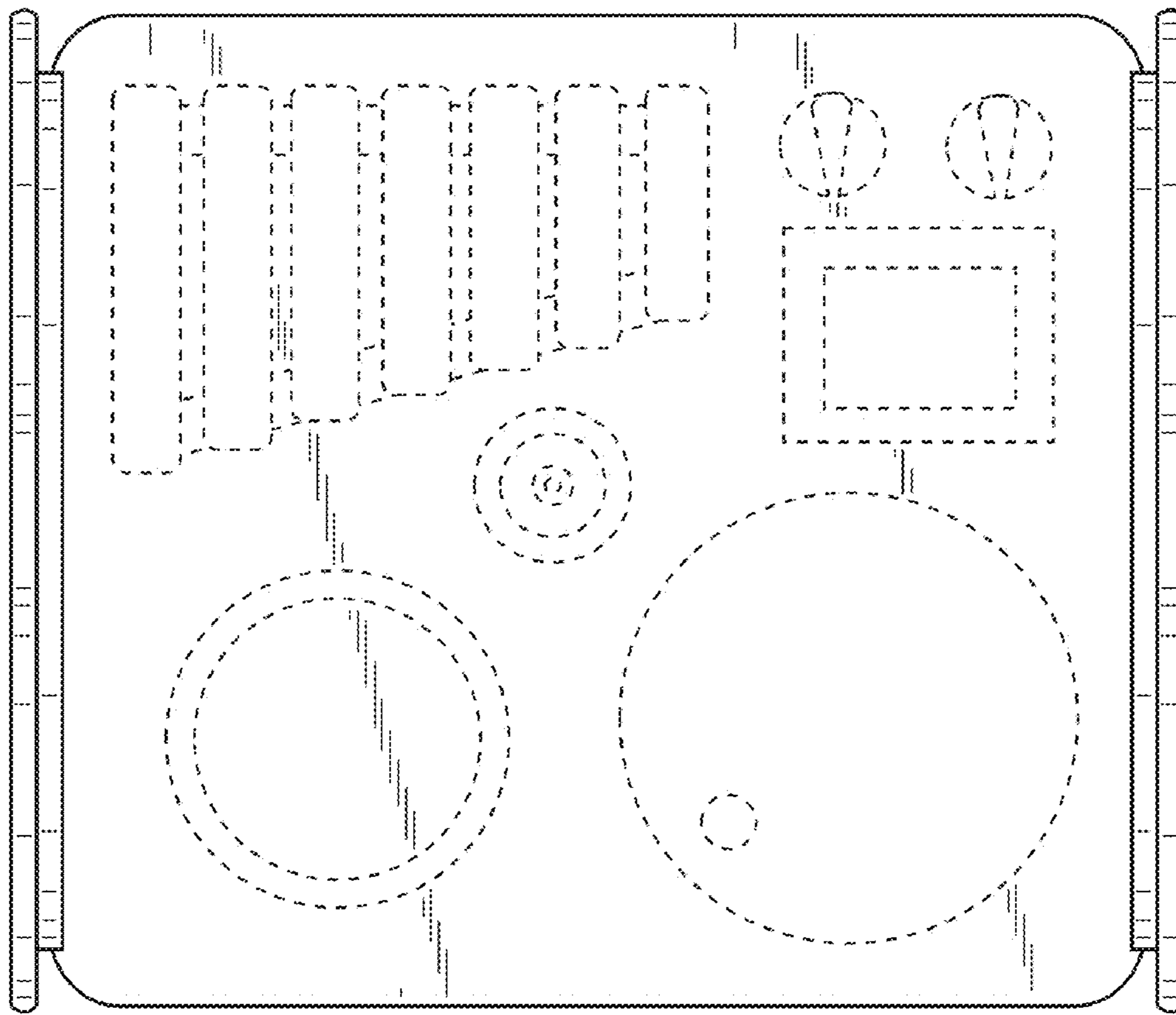


FIG. 6

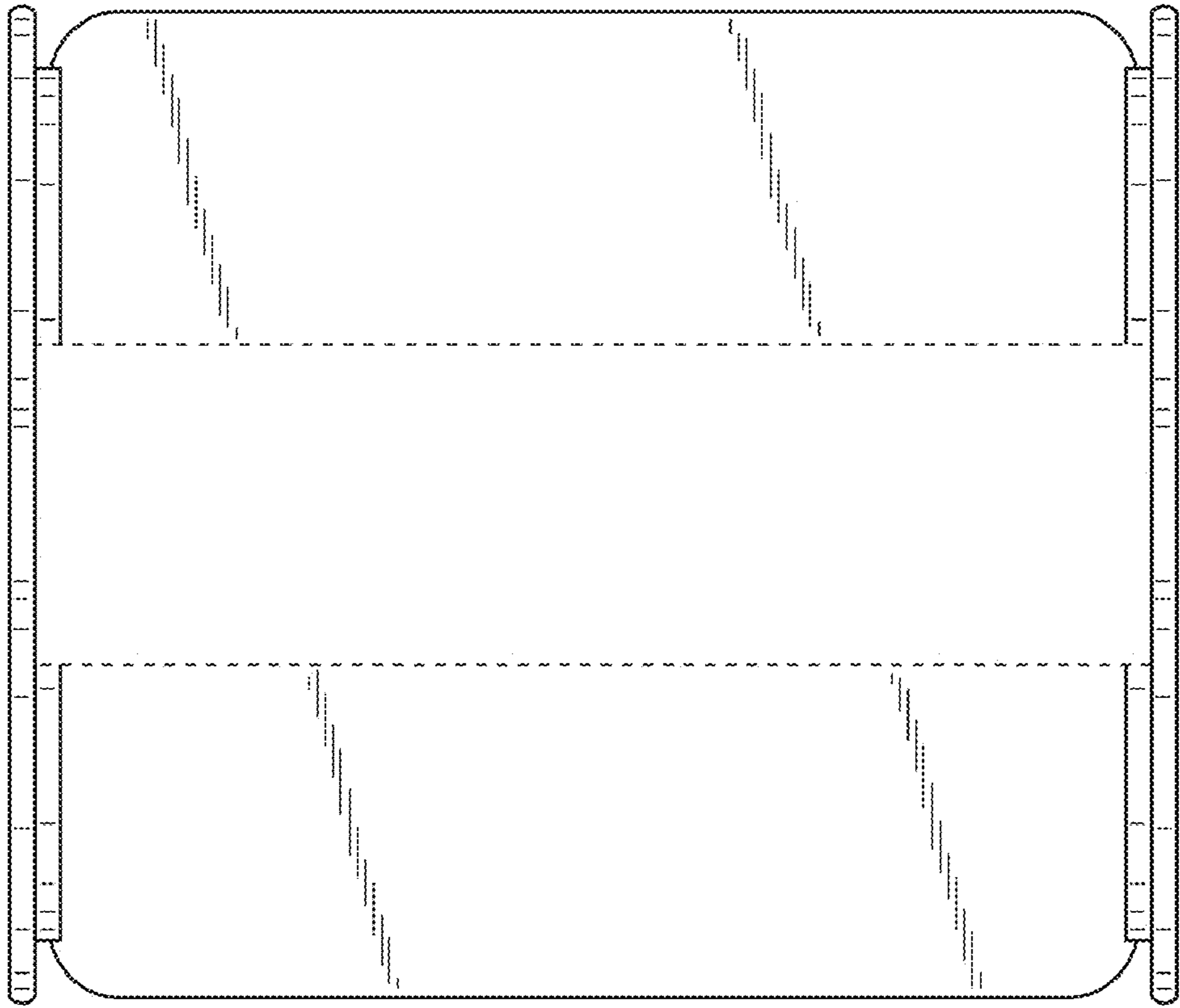


FIG. 7