



US00D677341S

(12) **United States Design Patent**  
**English et al.**

(10) **Patent No.:** **US D677,341 S**  
(45) **Date of Patent:** **\*\* Mar. 5, 2013**

- (54) **FLYING SHARK BALLOON TOY**
- (75) Inventors: **Blake English**, Claremont, CA (US);  
**William Mark Forti**, Claremont, CA (US)
- (73) Assignee: **William Mark Corporation**, Claremont, CA (US)
- (\*\*) Term: **14 Years**
- (21) Appl. No.: **29/404,858**
- (22) Filed: **Oct. 26, 2011**
- (51) **LOC (9) Cl.** ..... **21-01**
- (52) **U.S. Cl.** ..... **D21/439; D21/599**
- (58) **Field of Classification Search** ..... D21/414, D21/428, 436, 438, 439, 440, 585, 599, 712; D22/133; D12/323; 446/220, 221, 222, 446/223, 224, 225, 226, 486; 472/128, 129  
See application file for complete search history.

4,891,029 A	1/1990	Hutchinson	
D306,189 S *	2/1990	Reilly et al.	D21/440
4,946,415 A *	8/1990	Huang	446/225
4,964,598 A	10/1990	Berejik et al.	
5,194,029 A	3/1993	Kinoshita	
5,240,206 A	8/1993	Omiya	
D350,577 S *	9/1994	Giudice	D21/712
5,344,357 A	9/1994	Lyczek	
D371,822 S *	7/1996	Petrolle	D22/133
5,906,335 A	5/1999	Thompson	
6,126,510 A *	10/2000	Weiss, Jr.	446/486
6,244,923 B1 *	6/2001	Komaba	446/224
D499,774 S *	12/2004	Dong	D21/599
2008/0087762 A1 *	4/2008	Holloman et al.	244/30

\* cited by examiner

*Primary Examiner* — Janice Seeger  
*Assistant Examiner* — Martie K Holtje  
(74) *Attorney, Agent, or Firm* — Fish & Associates, PC

(57) **CLAIM**  
The ornamental design for a flying shark balloon toy, as shown and described.

(56) **References Cited**

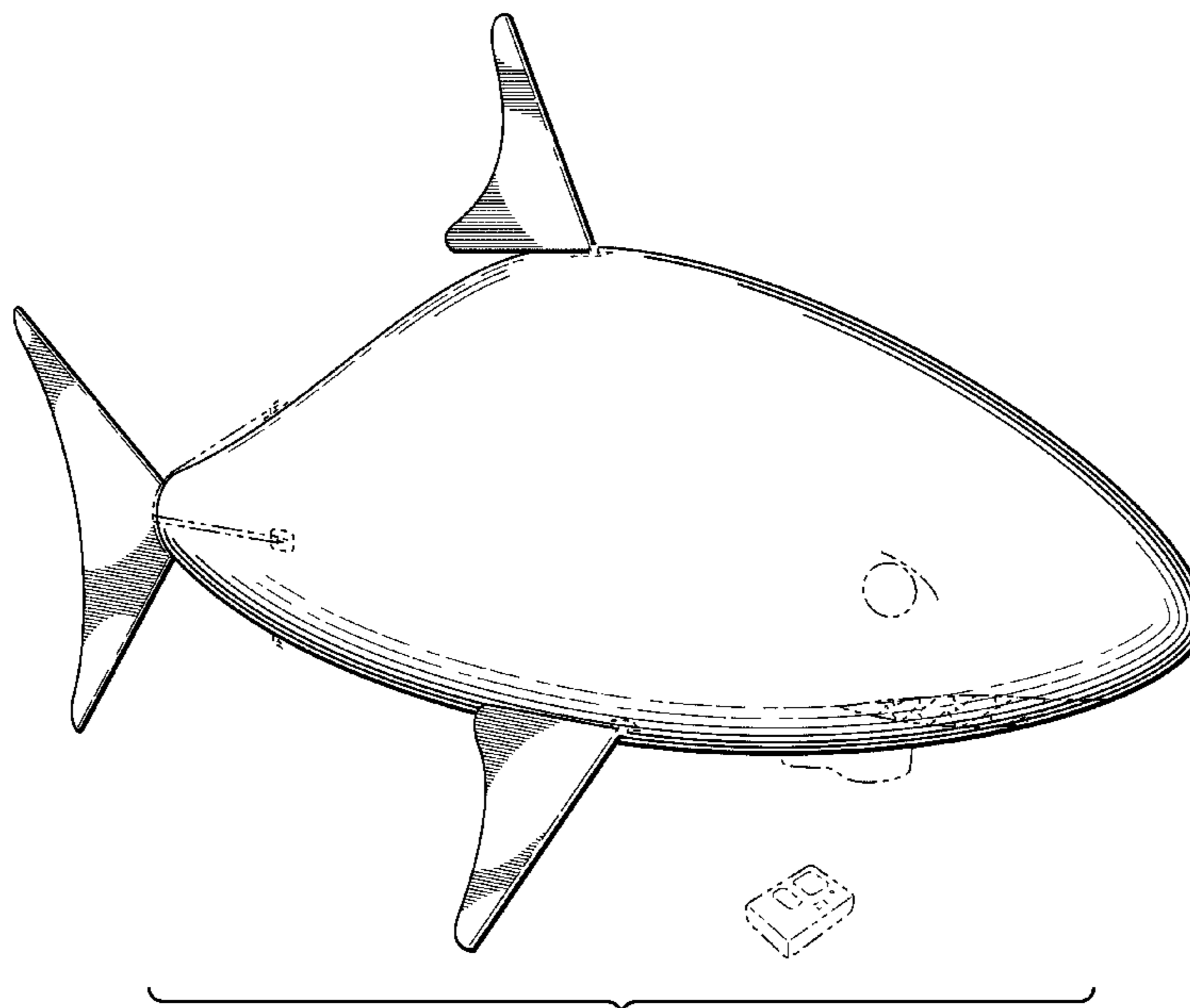
U.S. PATENT DOCUMENTS

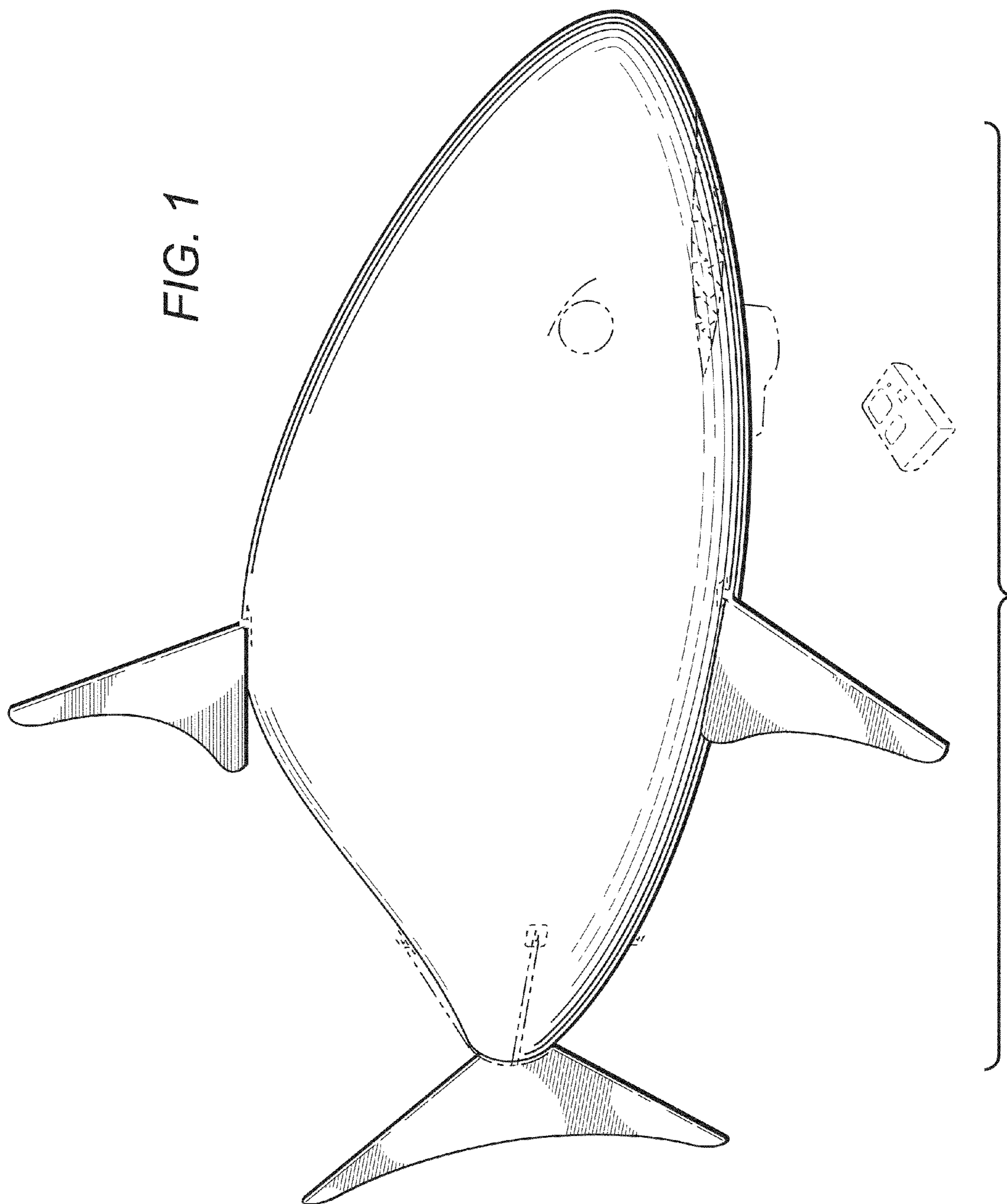
1,020,775 A *	3/1912	Ogden	446/225
2,027,225 A *	1/1936	Gill	446/226
2,193,069 A *	3/1940	Krueger	446/226
2,801,850 A *	8/1957	Yount	472/129
2,962,283 A *	11/1960	Casey	472/129
D205,457 S *	8/1966	Bronte	D21/599
3,267,604 A *	8/1966	Goldsmith	446/222
3,491,997 A *	1/1970	Winters	472/129
3,751,030 A *	8/1973	Winters	472/129
D229,328 S *	11/1973	Grieder	D21/585
D244,047 S *	4/1977	Daverin et al.	D21/428
4,272,042 A	6/1981	Slater	
4,799,914 A *	1/1989	Hutchinson	446/225
D301,257 S *	5/1989	Reilly et al.	D21/440
D301,347 S *	5/1989	Reilly et al.	D21/440

**DESCRIPTION**

FIG. 1 is a left front perspective view of a flying shark balloon toy, the right side being a mirror image thereof; FIG. 2 is a right side elevational view, the left side being a mirror image thereof; FIG. 3 is a front elevational view thereof; FIG. 4 is a rear elevational view thereof; FIG. 5 is a top plan view thereof; and, FIG. 6 is a bottom plan view thereof. The broken lines showing the remote control and structural elements are included for the purpose of illustrating environment and form no part of the claimed design.

**1 Claim, 5 Drawing Sheets**





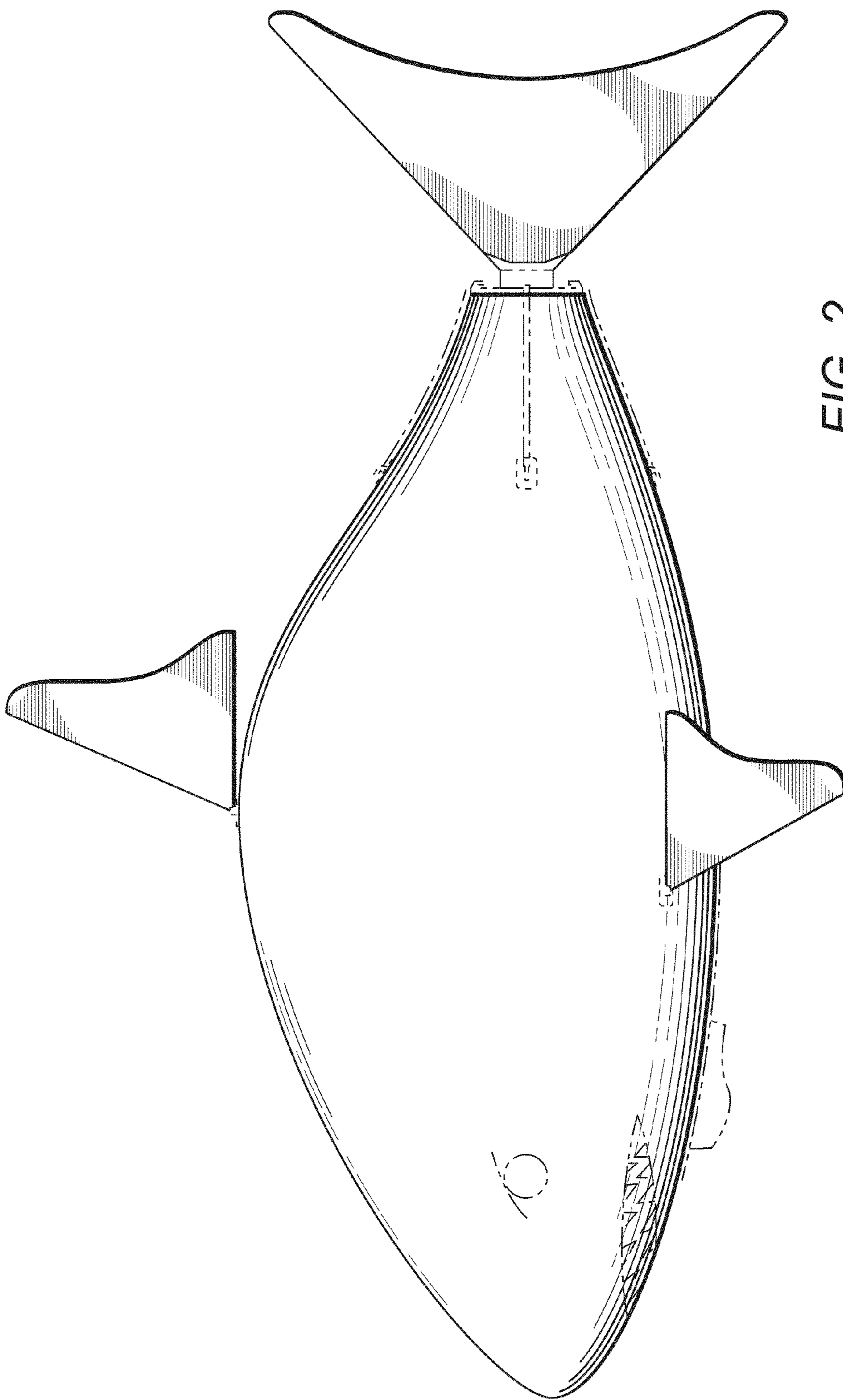


FIG. 2

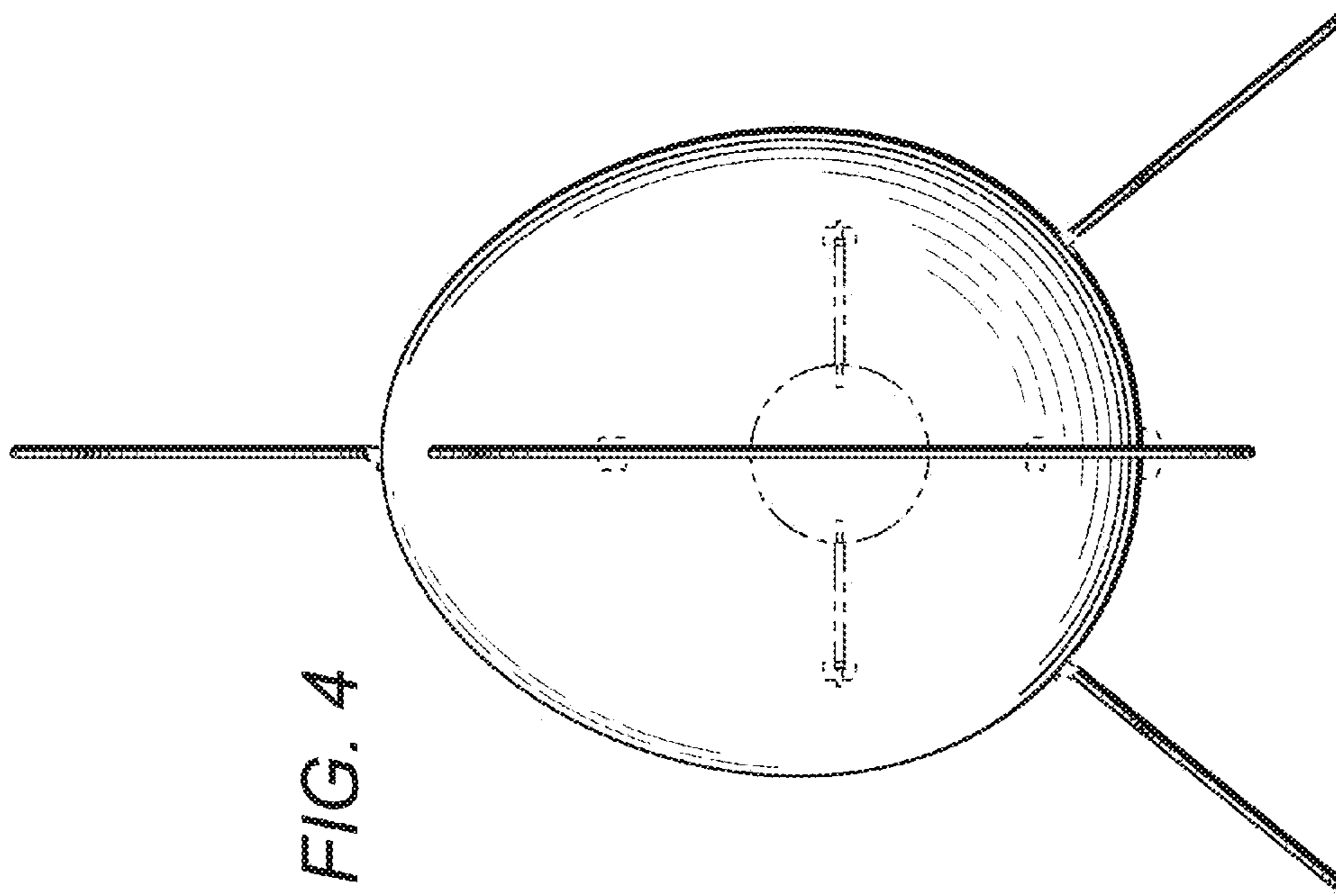


FIG. 4

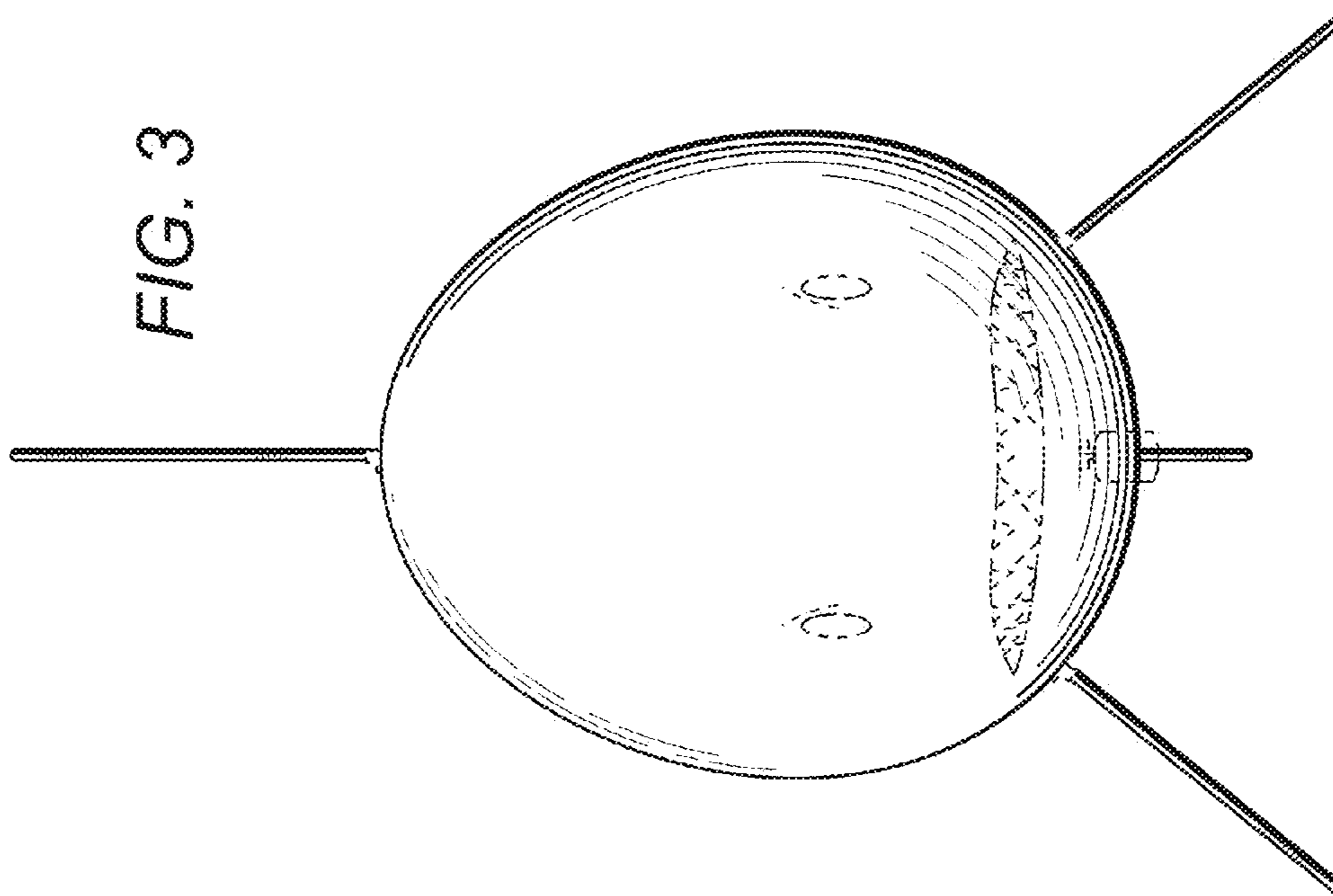


FIG. 3

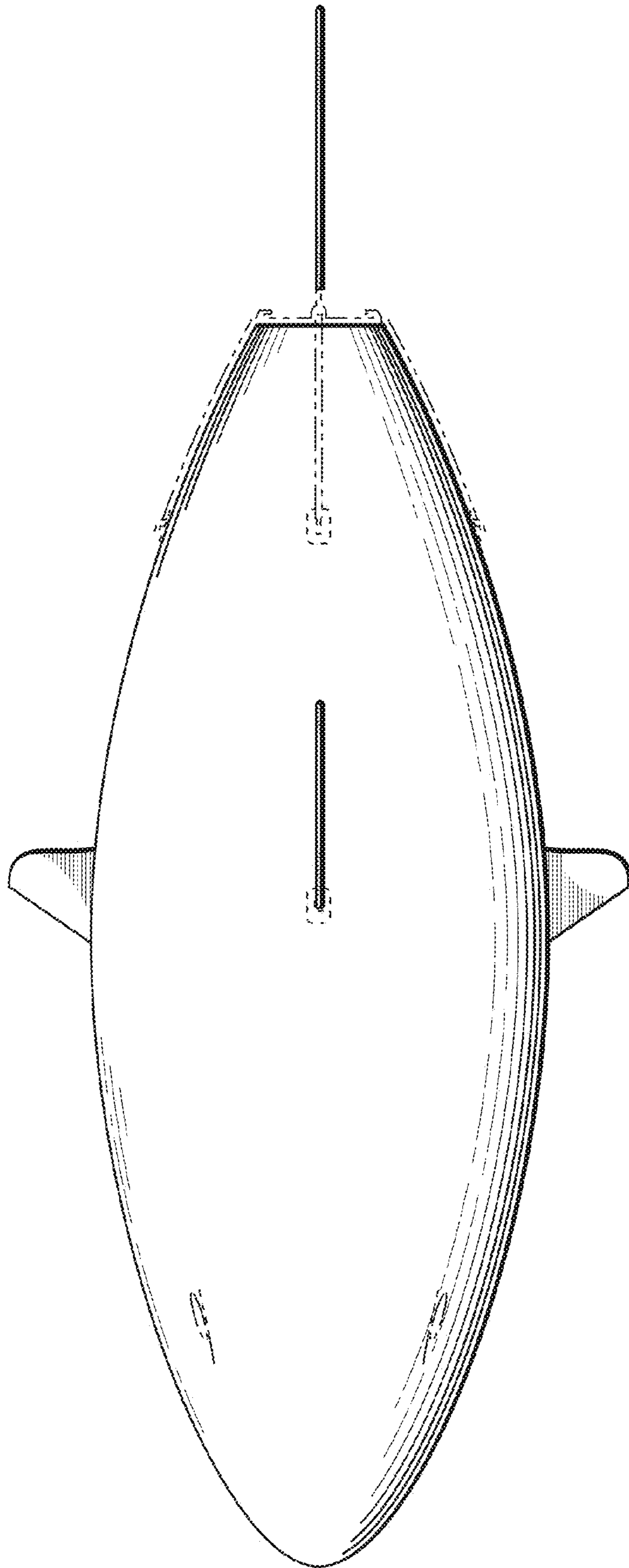


FIG. 5

FIG. 6

