



US00D677339S

(12) **United States Design Patent**  
**Bengyak**

(10) **Patent No.:** **US D677,339 S**  
(45) **Date of Patent:** **\*\* Mar. 5, 2013**

(54) **HAND SIGN**

*Primary Examiner — Mary Ann Calabrese*

(76) Inventor: **Christopher Edward Bengyak**, Vero Beach, FL (US)

(57) **CLAIM**

The ornamental design for a hand sign, as shown and described.

(\*\*) Term: **14 Years**

(21) Appl. No.: **29/421,353**

(22) Filed: **Jul. 9, 2012**

**DESCRIPTION**

(51) **LOC (9) Cl.** ..... **20-03**

(52) **U.S. Cl.** ..... **D20/29; D20/33**

(58) **Field of Classification Search** ..... D20/10,  
D20/19, 29-33, 35-37, 99; 40/446, 538,  
40/541, 584, 586; D2/615; D11/131, 157,  
D11/158; D21/400; D5/64

See application file for complete search history.

FIG. 1 is a right-side elevational view of a first embodiment of a left-hand hand sign according to the invention; FIG. 2 is a left-side elevational view of the left-hand hand sign of FIG. 1; FIG. 3 is a rear elevational view of the left-hand hand sign of FIG. 1; FIG. 4 is a front elevational view of the left-hand hand sign of FIG. 1; FIG. 5 is a top plan view of the left-hand hand sign of FIG. 1; FIG. 6 is a bottom plan view of the left-hand hand sign of FIG. 1; FIG. 7 is a perspective view from below the rear of the left side of the left-hand hand sign of FIG. 2; FIG. 8 is a left-side elevational view of a second embodiment of a right-hand hand sign according to the invention; FIG. 9 is a right-side elevational view of the right-hand hand sign of FIG. 8; FIG. 10 is a front elevational view of the right-hand hand sign of FIG. 8; FIG. 11 is a rear elevational view of the right-hand hand sign of FIG. 8; FIG. 12 is a top plan view of the right-hand hand sign of FIG. 8; FIG. 13 is a bottom plan view of the right-hand hand sign of FIG. 8; and, FIG. 14 is a perspective view from below the rear of the right side of the right-hand hand sign of FIG. 9.

(56) **References Cited**

**U.S. PATENT DOCUMENTS**

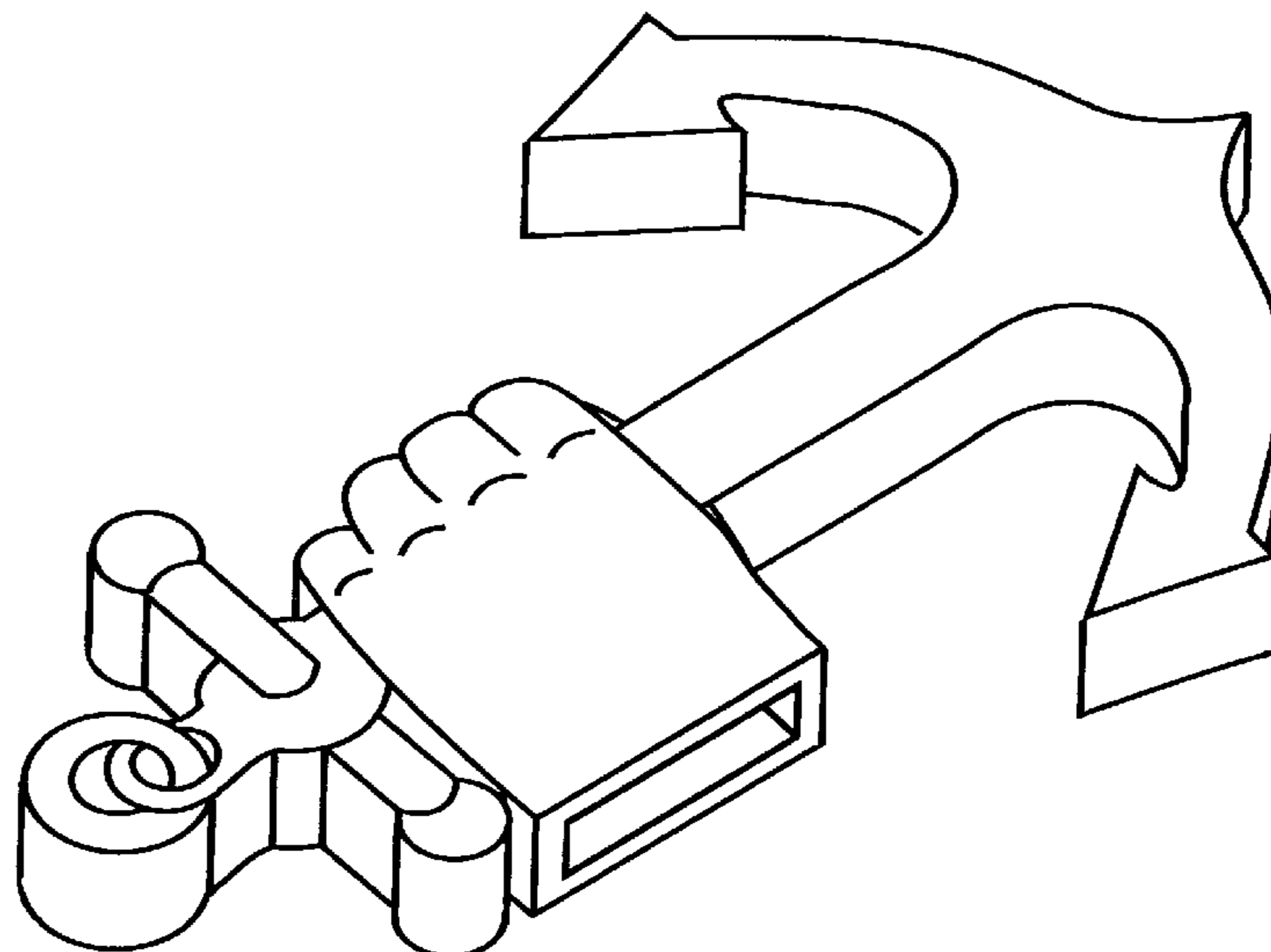
D98,579 S *	2/1936	Emmey	.....	D5/64
D98,580 S *	2/1936	Emmey	.....	D5/64
D429,285 S *	8/2000	Schini	.....	D20/32
D647,571 S *	10/2011	Bengyak	.....	D20/33
D661,743 S *	6/2012	Bengyak	.....	D20/29
D662,142 S *	6/2012	Bengyak	.....	D20/29
D662,143 S *	6/2012	Bengyak	.....	D20/29
D662,144 S *	6/2012	Bengyak	.....	D20/29
D662,145 S *	6/2012	Bengyak	.....	D20/29
D662,549 S *	6/2012	Bengyak	.....	D20/29
D662,551 S *	6/2012	Bengyak	.....	D20/29
D663,781 S *	7/2012	Bengyak	.....	D20/29
D666,677 S *	9/2012	Bengyak	.....	D20/29

**OTHER PUBLICATIONS**

Foam Floating Keychain—Anchor—OEMPROMO.COM Copyright © 2007-2010 Promo Industrial Co., Limited <http://www.oempromo.com/product/Foam/F/Foam-Floating-Keychain---Anchor-281340.htm> pulled from the web on Aug. 20, 2012.\*

\* cited by examiner

**1 Claim, 10 Drawing Sheets**



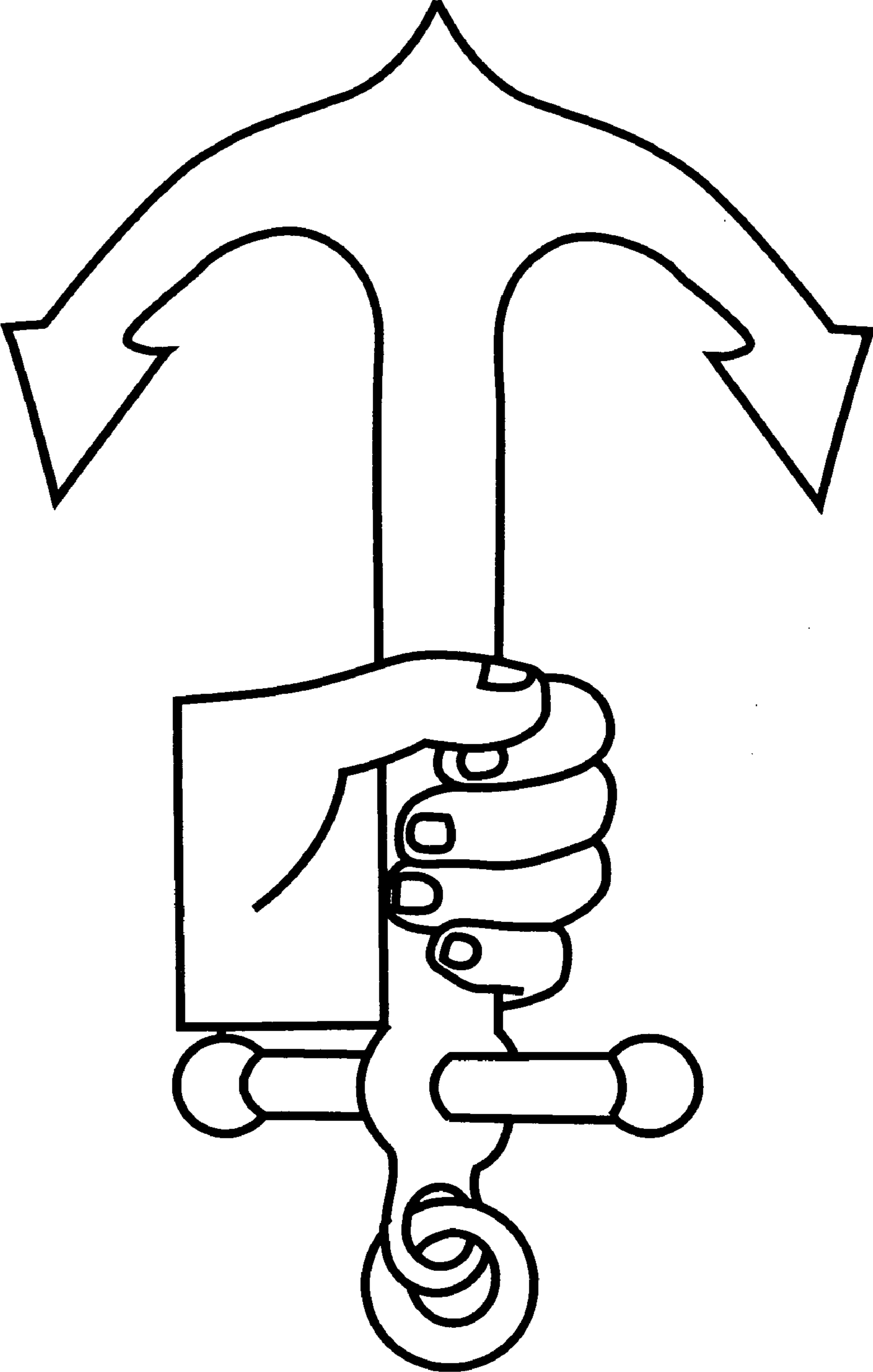


FIG. 1

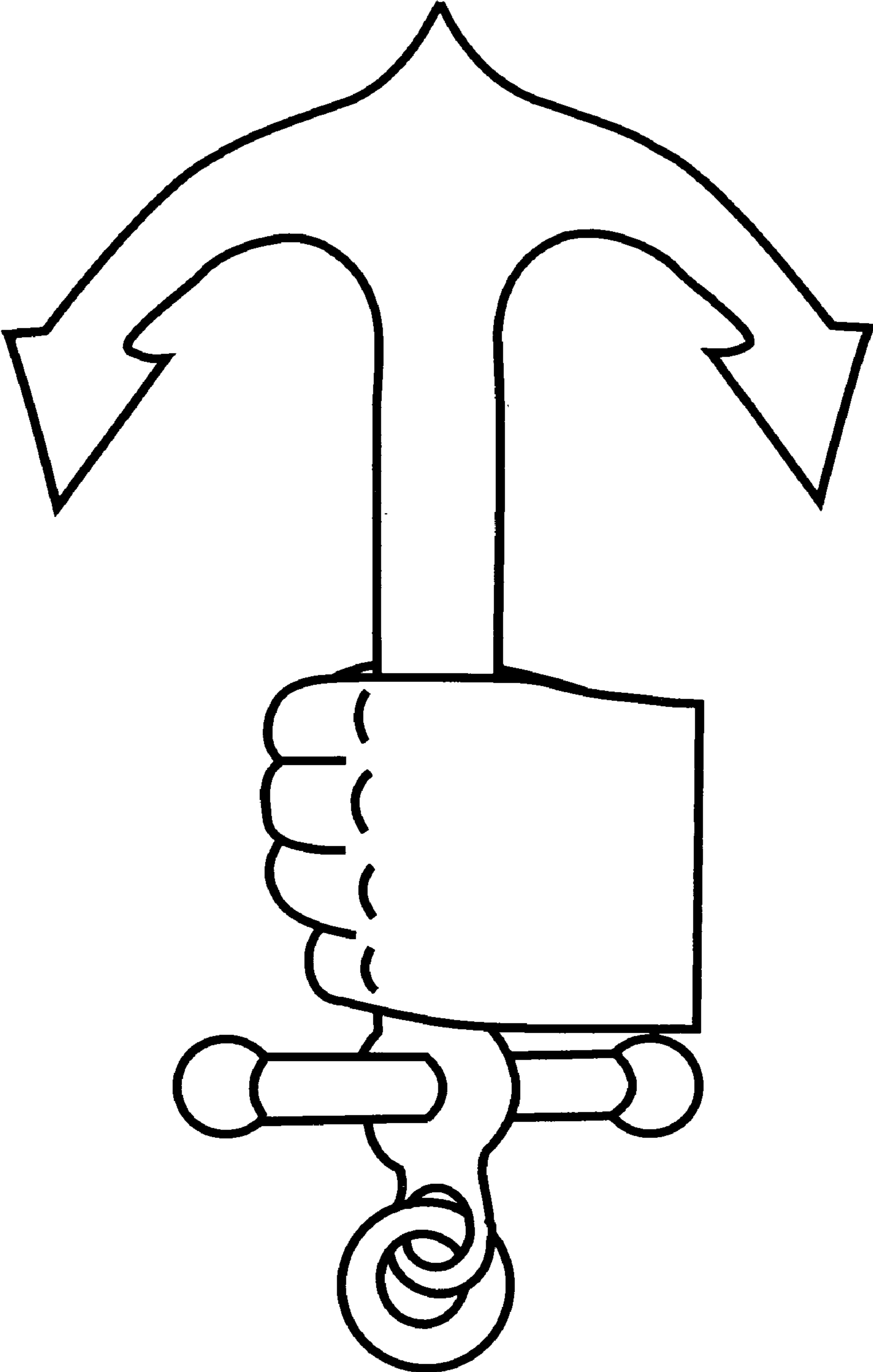


FIG. 2

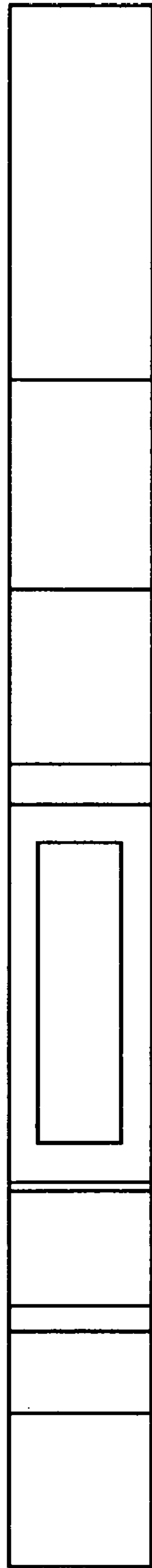


FIG. 3

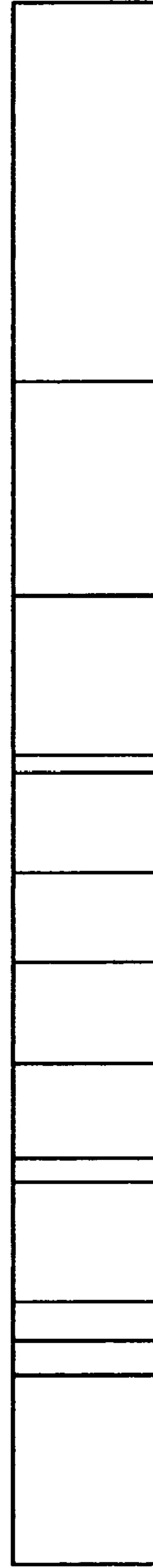


FIG. 4

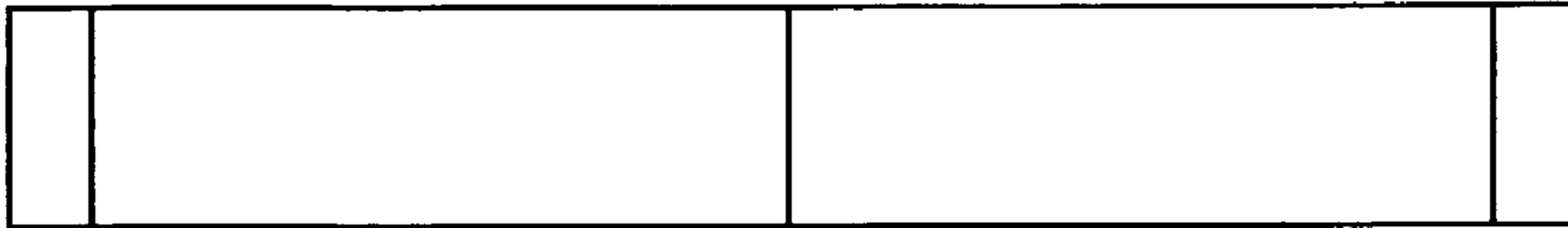


FIG. 5



FIG. 6

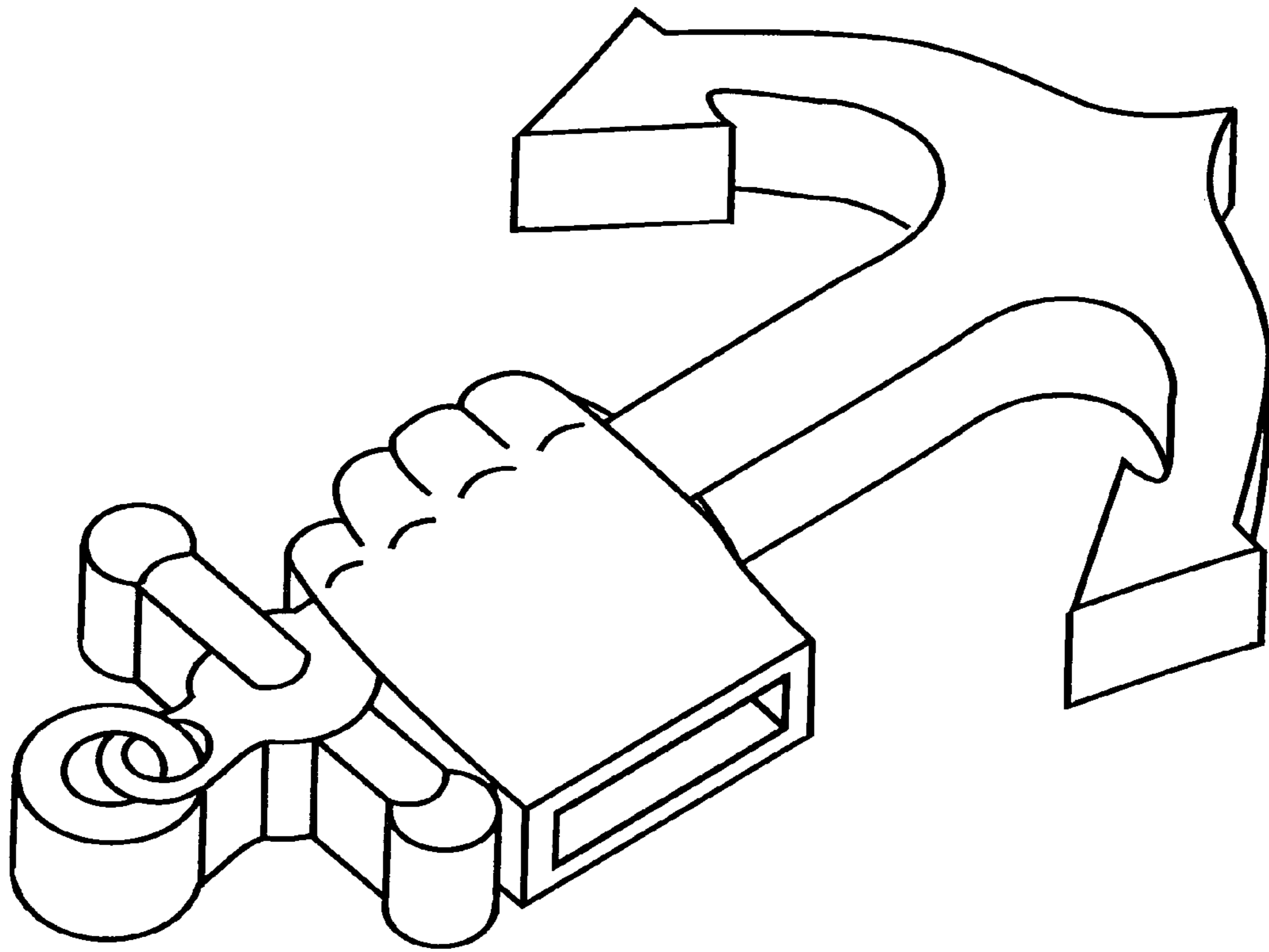


FIG. 7

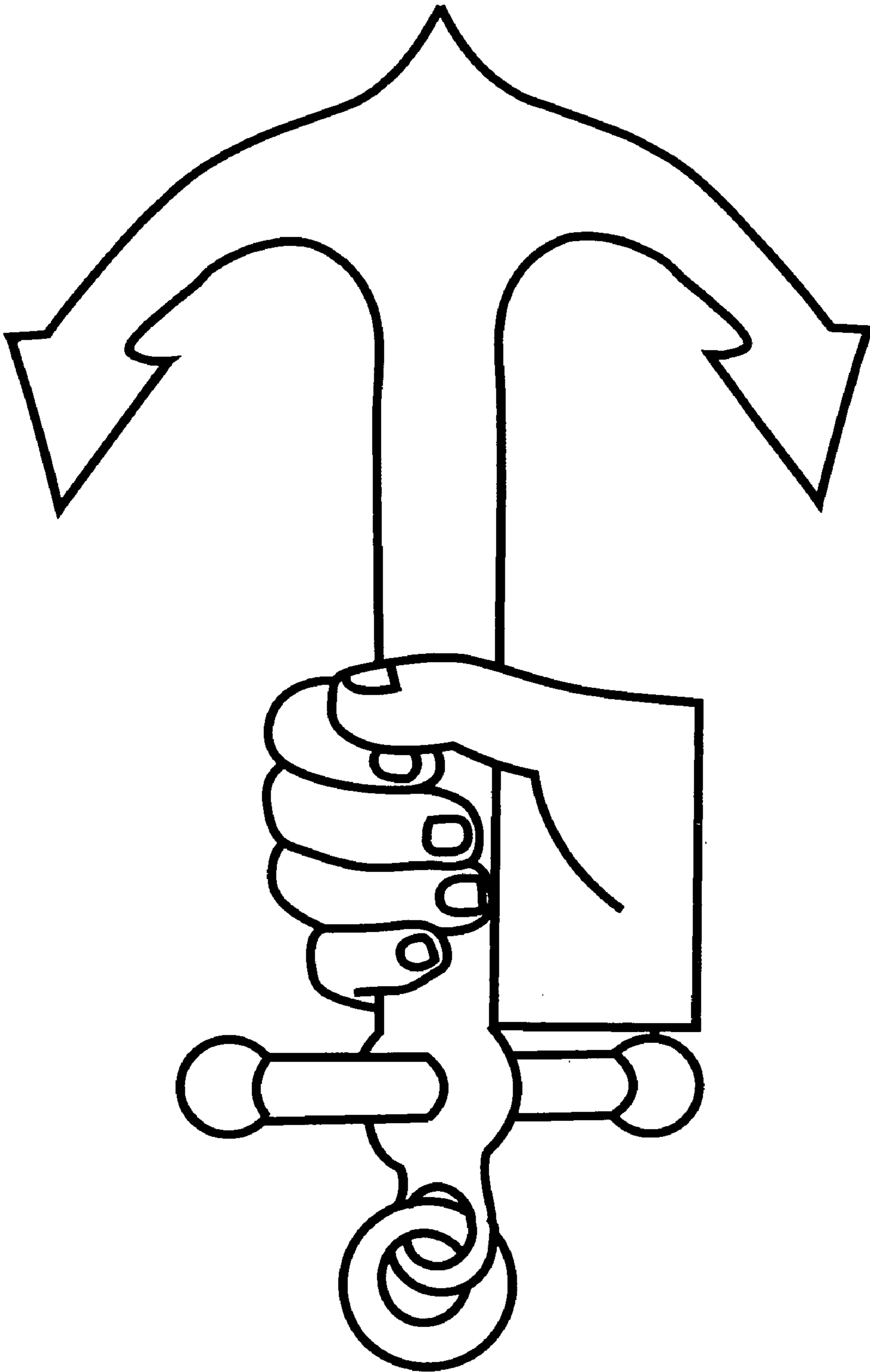


FIG. 8

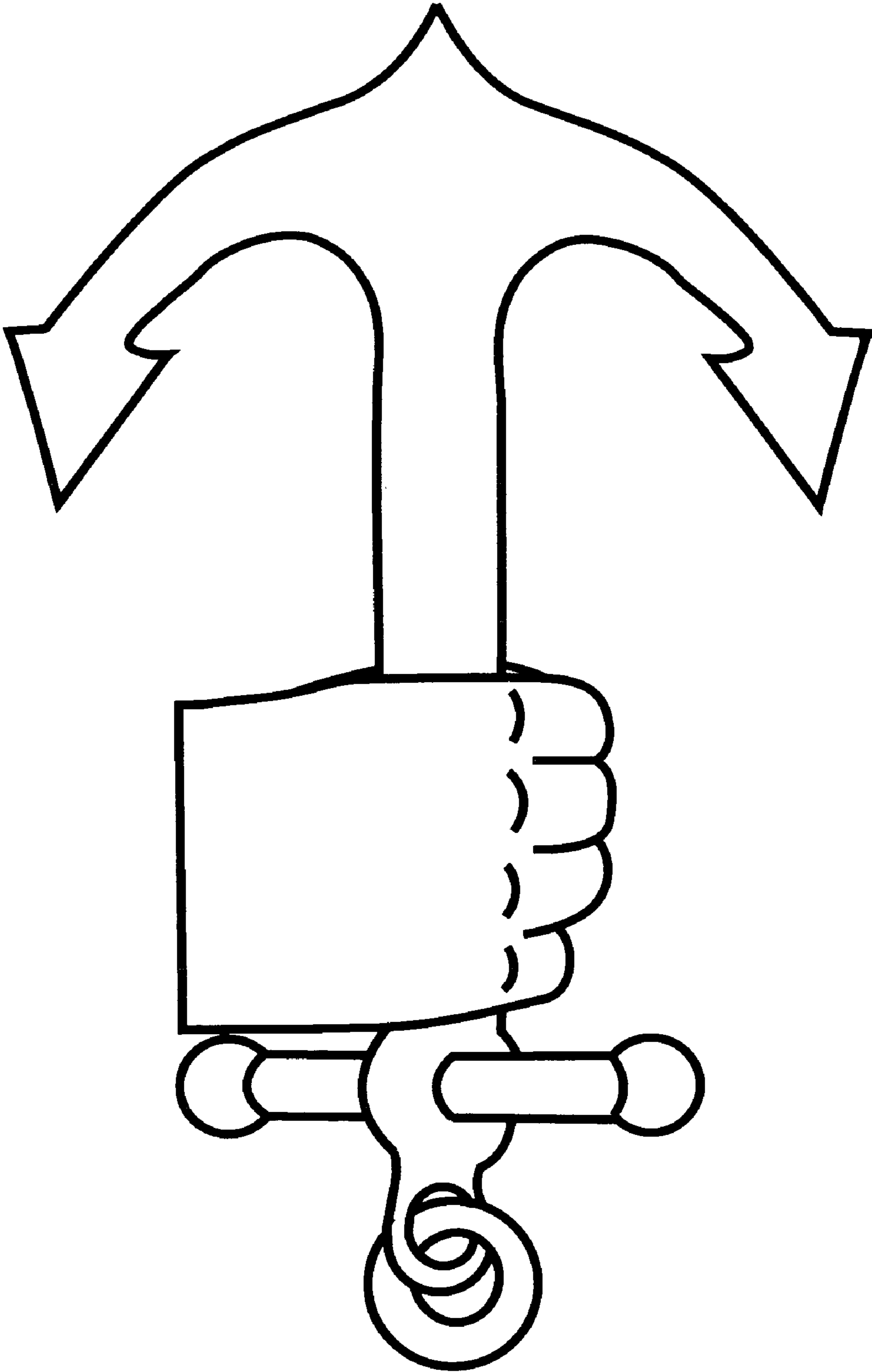


FIG. 9



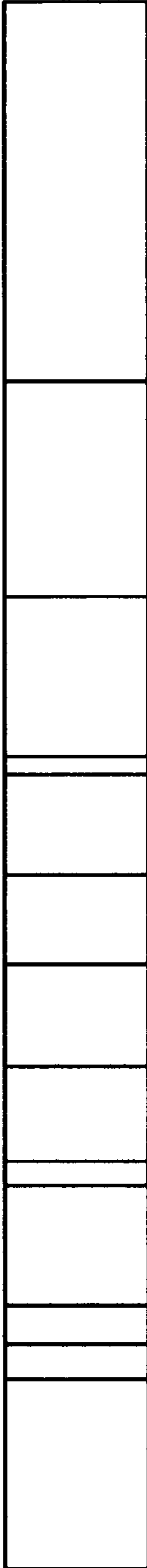


FIG. 10

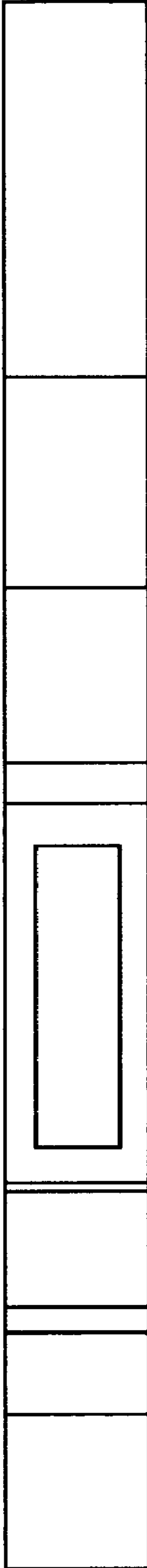


FIG. 11

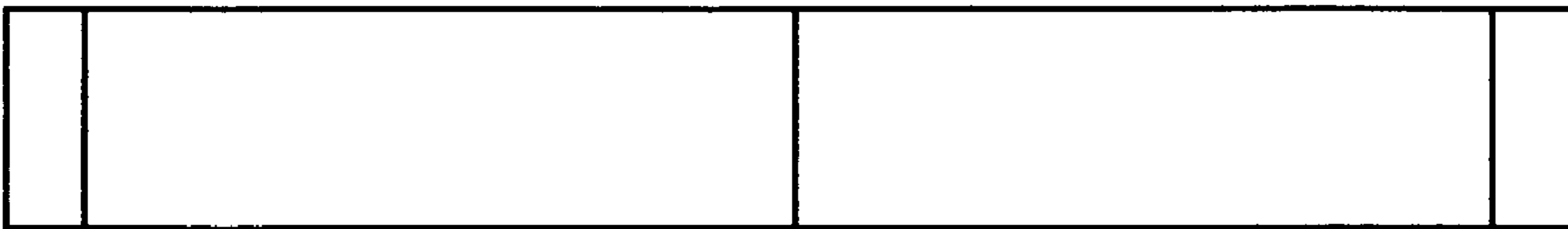


FIG. 12

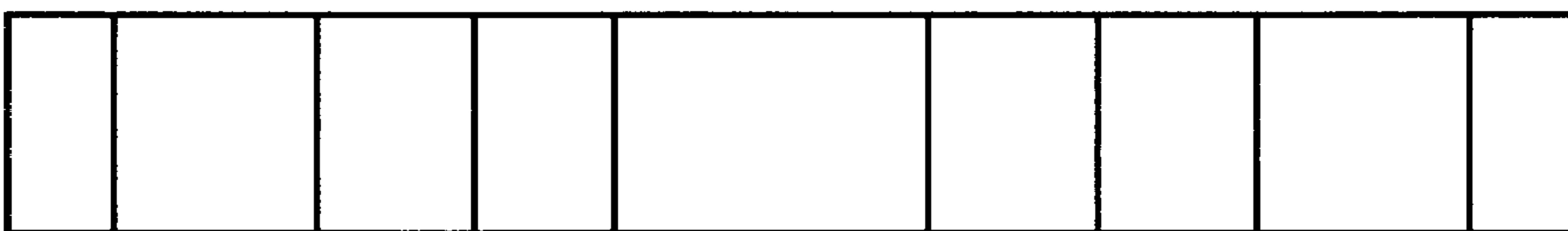


FIG. 13

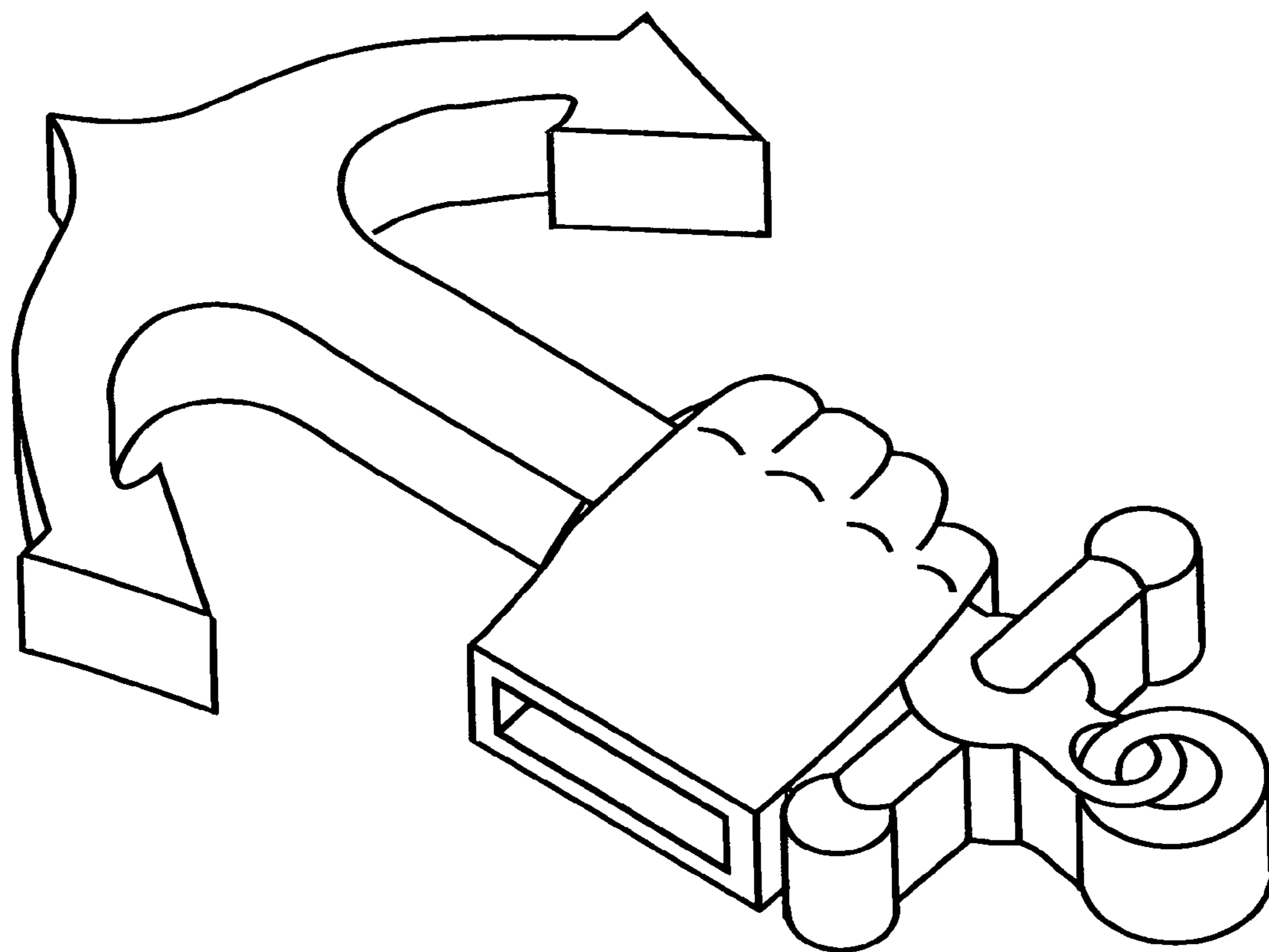


FIG. 14