



US00D677333S

(12) **United States Design Patent**
Barnett

(10) **Patent No.:** **US D677,333 S**
(45) **Date of Patent:** **** Mar. 5, 2013**

- (54) **ILLUMINATED ADDRESS PANEL**
- (76) Inventor: **Chris Barnett**, Seattle, WA (US)
- (**) Term: **14 Years**
- (21) Appl. No.: **29/432,029**
- (22) Filed: **Sep. 12, 2012**

5,664,352 A *	9/1997	Beckman	40/545
D444,503 S	7/2001	Phelps		
D460,784 S	7/2002	Emma		
D463,826 S	10/2002	Garcia		
D469,128 S	1/2003	Hilton		
6,557,283 B1 *	5/2003	Canfield	40/564
D476,039 S	6/2003	Forman		
D662,146 S	6/2012	Podd		

* cited by examiner

Related U.S. Application Data

- (63) Continuation-in-part of application No. 29/428,399, filed on Jul. 30, 2012.
- (51) **LOC (9) Cl.** **20-03**
- (52) **U.S. Cl.** **D20/17**
- (58) **Field of Classification Search** D20/10, D20/17-19, 29, 39, 41, 42, 99; 40/446, 448, 40/538, 541, 542, 545, 546, 564, 568, 574, 40/577, 584, 588, 591, 600, 612, 616, 617, 40/611.01, 642.01; D6/300; D10/109.1, D10/109.2; 362/145, 812
See application file for complete search history.

Primary Examiner — Mary Ann Calabrese

(74) *Attorney, Agent, or Firm* — QuickPatents; Kevin Prince

(57) **CLAIM**

I claim the ornamental design for an illuminated address panel, as shown and described.

DESCRIPTION

FIG. 1 is a perspective view of an illuminated address panel, showing my new design;
 FIG. 2 is an exploded perspective view thereof;
 FIG. 3 is a front elevational view thereof;
 FIG. 4 is a rear elevational view thereof;
 FIG. 5 is a left-side elevational view thereof, the right-side elevational view being a mirror image thereof; and,
 FIG. 6 is a top plan view thereof, the bottom plan view being a mirror image thereof.

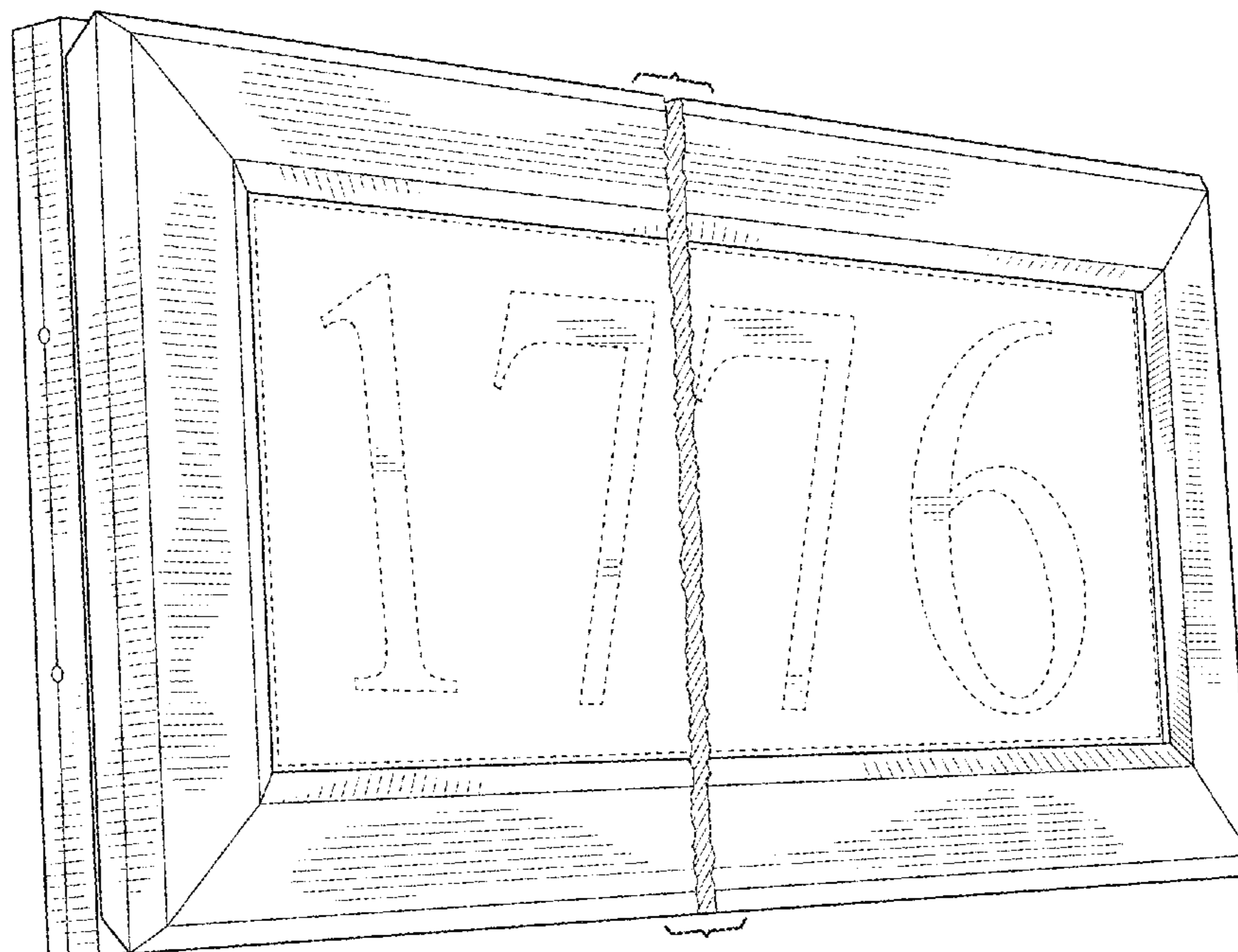
The broken lines showing an address sheet in FIGS. 1 and 2 and mounting hardware in FIG. 3 depict environmental matter and form no part of the claimed design. The areas between the break lines in the figures depicting no specific width form no part of the claimed design.

(56) **References Cited**

U.S. PATENT DOCUMENTS

2,802,292 A *	8/1957	Bader	40/591
D217,539 S	5/1970	Wren		
4,007,552 A *	2/1977	Brooks	40/611.05
4,488,368 A *	12/1984	Coleman	40/564
D289,063 S	3/1987	Rutter		
D311,551 S	10/1990	Hill		
D355,220 S	2/1995	Russo		
D359,076 S *	6/1995	Dorp	D20/17

1 Claim, 4 Drawing Sheets



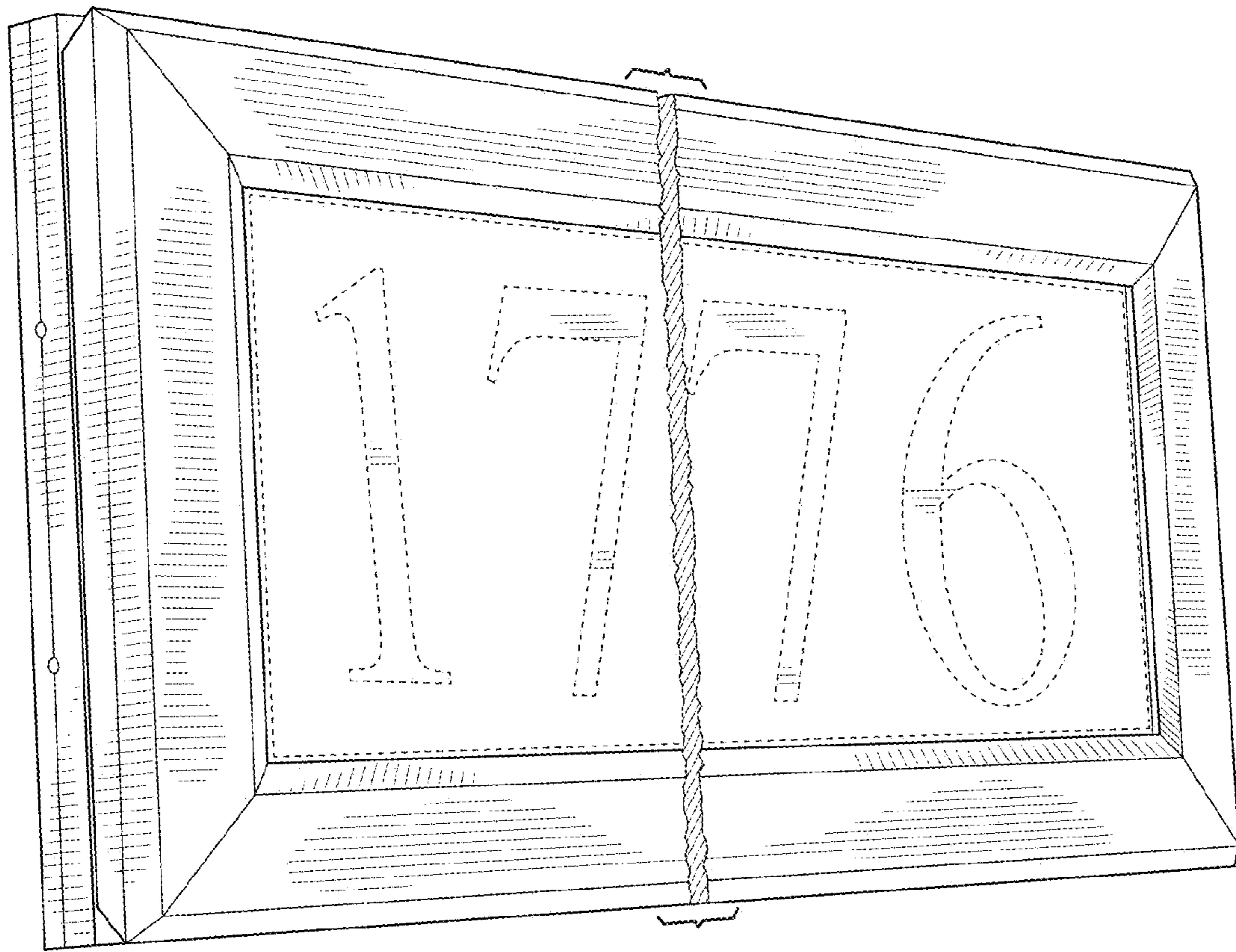


FIG. 1

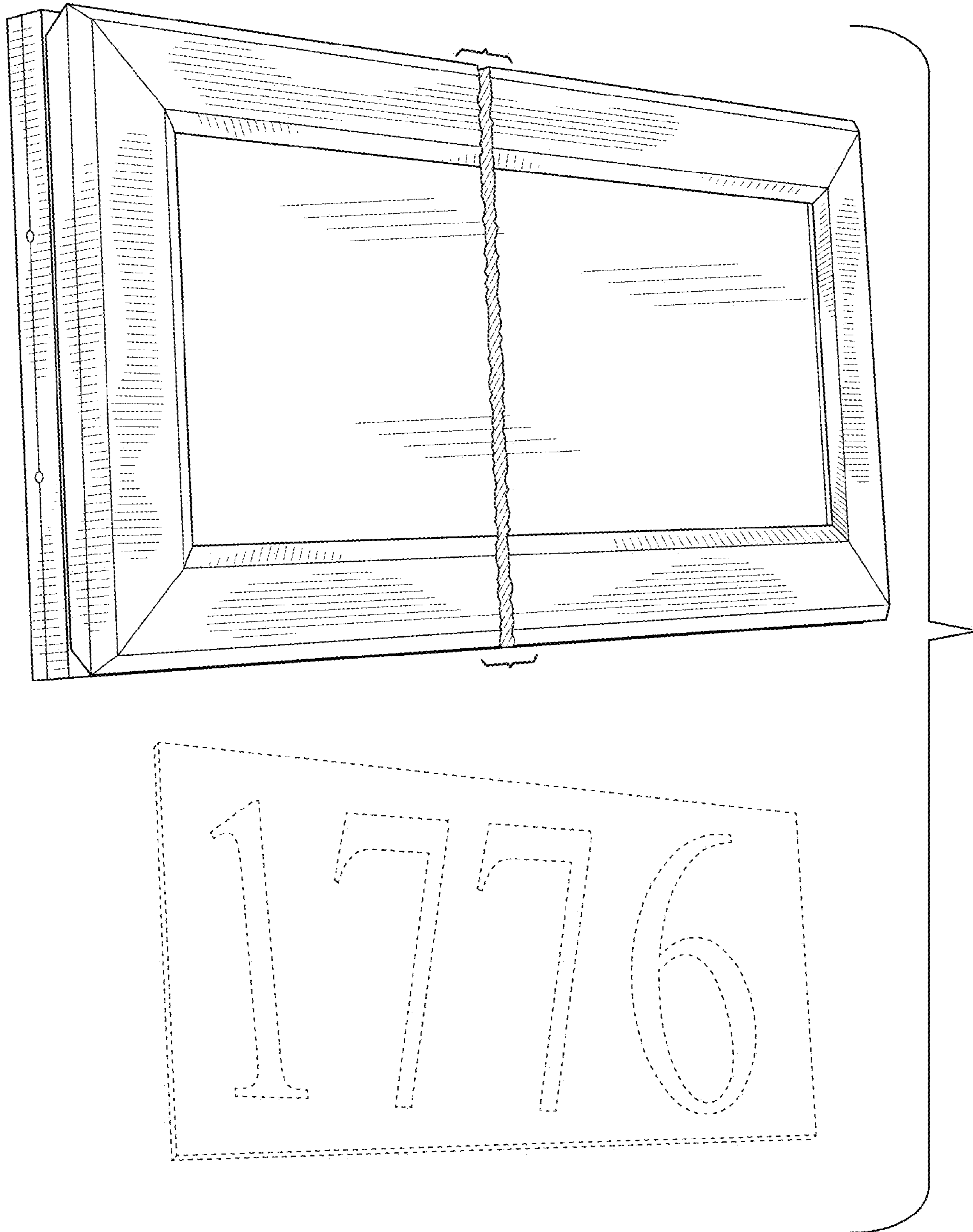


FIG. 2

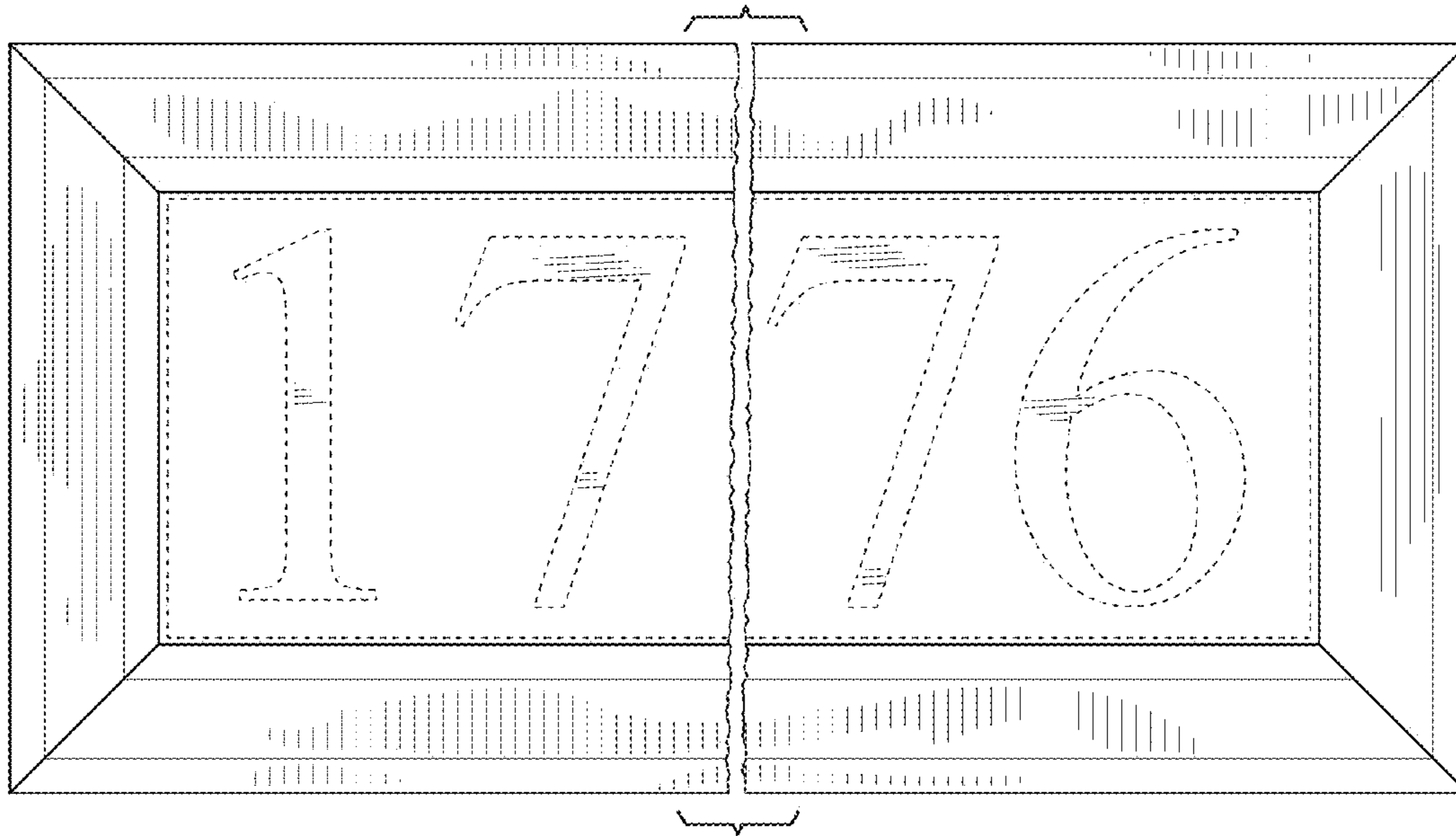


FIG. 3

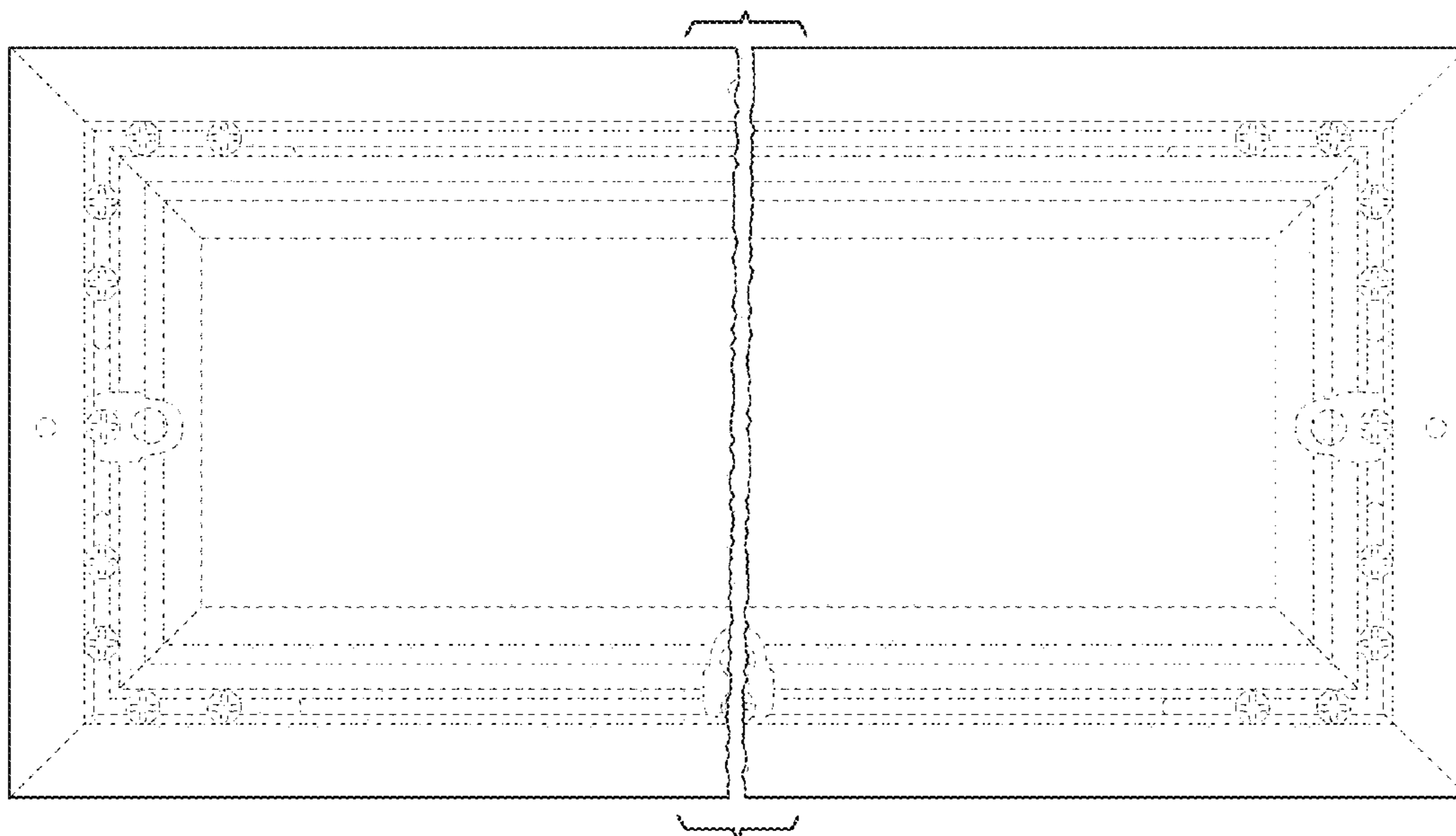


FIG. 4

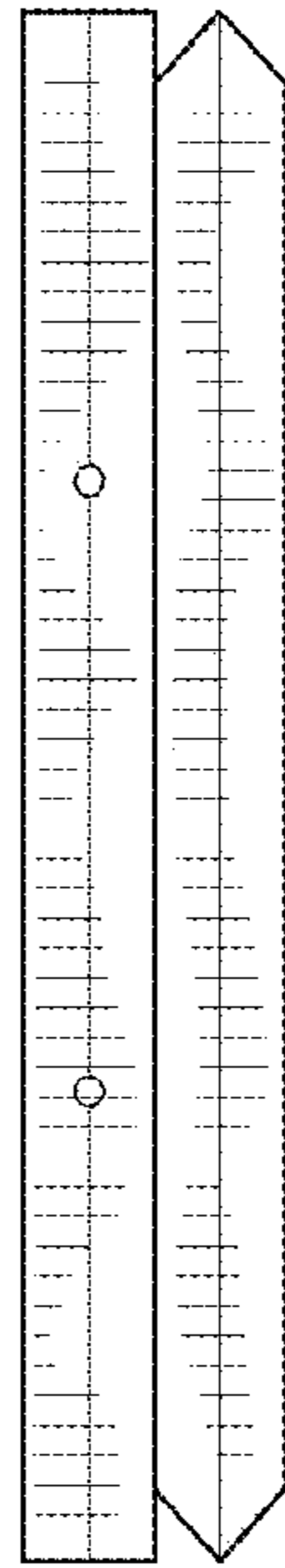


FIG. 5

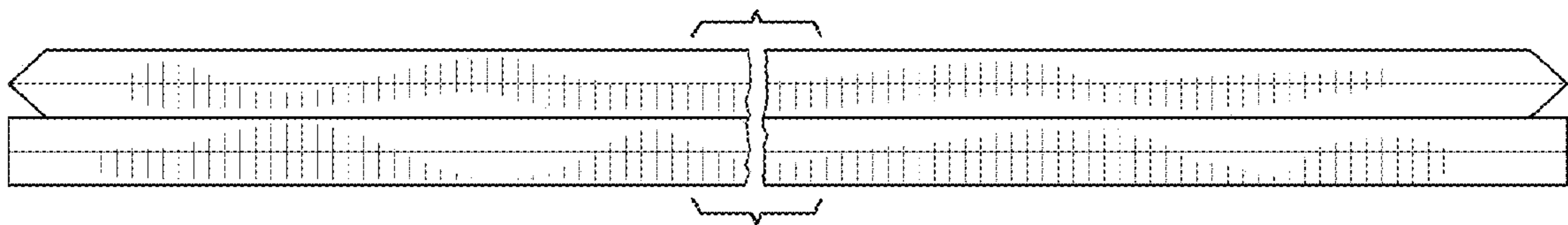


FIG. 6