



US00D677322S

(12) **United States Design Patent**  
**Zindl et al.**

(10) **Patent No.:** **US D677,322 S**  
(45) **Date of Patent:** **\*\* Mar. 5, 2013**

(54) **STAMP PAD HOLDER**

(75) Inventors: **Peter Zindl**, Marchtrenk (AT); **Markus Zehetner**, Leonding (AT); **Volker Martin**, Linz (AT)

(73) Assignee: **Trodat GmbH** (AT)

(\*\*) Term: **14 Years**

(21) Appl. No.: **29/428,251**

(22) Filed: **Jul. 27, 2012**

**Related U.S. Application Data**

(62) Division of application No. 29/375,230, filed on Sep. 20, 2010, now Pat. No. Des. 668,714.

**Foreign Application Priority Data**

Mar. 19, 2010 (EM) ..... 001202998-0007  
Mar. 19, 2010 (EM) ..... 001202998-0009

(51) **LOC (9) Cl.** ..... **19-02**

(52) **U.S. Cl.** ..... **D18/18; D18/17**

(58) **Field of Classification Search** ..... D18/14,  
D18/15–21, 50, 51, 36; 400/88; 118/264,  
118/268, 31.5; 101/333, 334, 327, 328, 405,  
101/406, 287, 104, 379; 347/109; 358/1.18  
See application file for complete search history.

(56) **References Cited**

**U.S. PATENT DOCUMENTS**

5,152,223 A 10/1992 Mairon  
D375,117 S 10/1996 Keohan  
D378,765 S 4/1997 Johannsen  
5,623,875 A 4/1997 Perets  
5,649,485 A 7/1997 Dour et al.  
D389,175 S 1/1998 Imamaki  
6,725,802 B1 4/2004 Carrington et al.  
6,761,114 B2 7/2004 Koneczny et al.  
6,796,230 B2 9/2004 Pichler et al.  
6,813,999 B2 11/2004 Trembl  
6,877,426 B1 4/2005 Huang

6,892,637 B2 5/2005 Petersen  
6,945,172 B1 9/2005 Shih  
7,069,852 B2 7/2006 Zindl et al.  
7,086,331 B2 8/2006 Moody  
D538,840 S 3/2007 Shih  
7,380,497 B2 6/2008 Faber  
8,104,402 B2 1/2012 Feilecker et al.  
D668,714 S \* 10/2012 Zindl et al. .... D18/18  
2007/0272099 A1 11/2007 Pointl  
2009/0101032 A1 4/2009 Slane et al.  
2010/0031835 A1 2/2010 Faber  
2011/0192299 A1 8/2011 Anthony  
2011/0277647 A1 11/2011 Zindl et al.

\* cited by examiner

*Primary Examiner* — Jeffrey D Asch

(74) *Attorney, Agent, or Firm* — Lerner, David, Littenberg, Krumholz & Mentlik, LLP

(57) **CLAIM**

The ornamental design for stamp pad holder, as shown and described.

**DESCRIPTION**

FIG. 1 is a front perspective view of a first embodiment of our design for the stamp pad holder;  
FIG. 2 is a rear elevational view of the embodiment of FIG. 1;  
FIG. 3 is a front elevational view of the embodiment of FIG. 1;  
FIG. 4 is a top plan view of the embodiment of FIG. 1;  
FIG. 5 is a left side view of the embodiment of FIG. 1 (the right side being a mirror image of the left side view);  
FIG. 6 is a bottom plan view of the embodiment of FIG. 1;  
FIG. 7 is a front perspective view of a second embodiment of our design for the stamp pad holder; and,  
FIG. 8 is a left side view of the embodiment of FIG. 7 (the right side being a mirror image of the left side view).  
The rear elevational view, front elevational view, top plan view, and bottom plan view of the second embodiment are the same as the corresponding views of the first embodiment, and are shown in FIGS. 2, 3, 4 and 6, respectively.

**1 Claim, 4 Drawing Sheets**

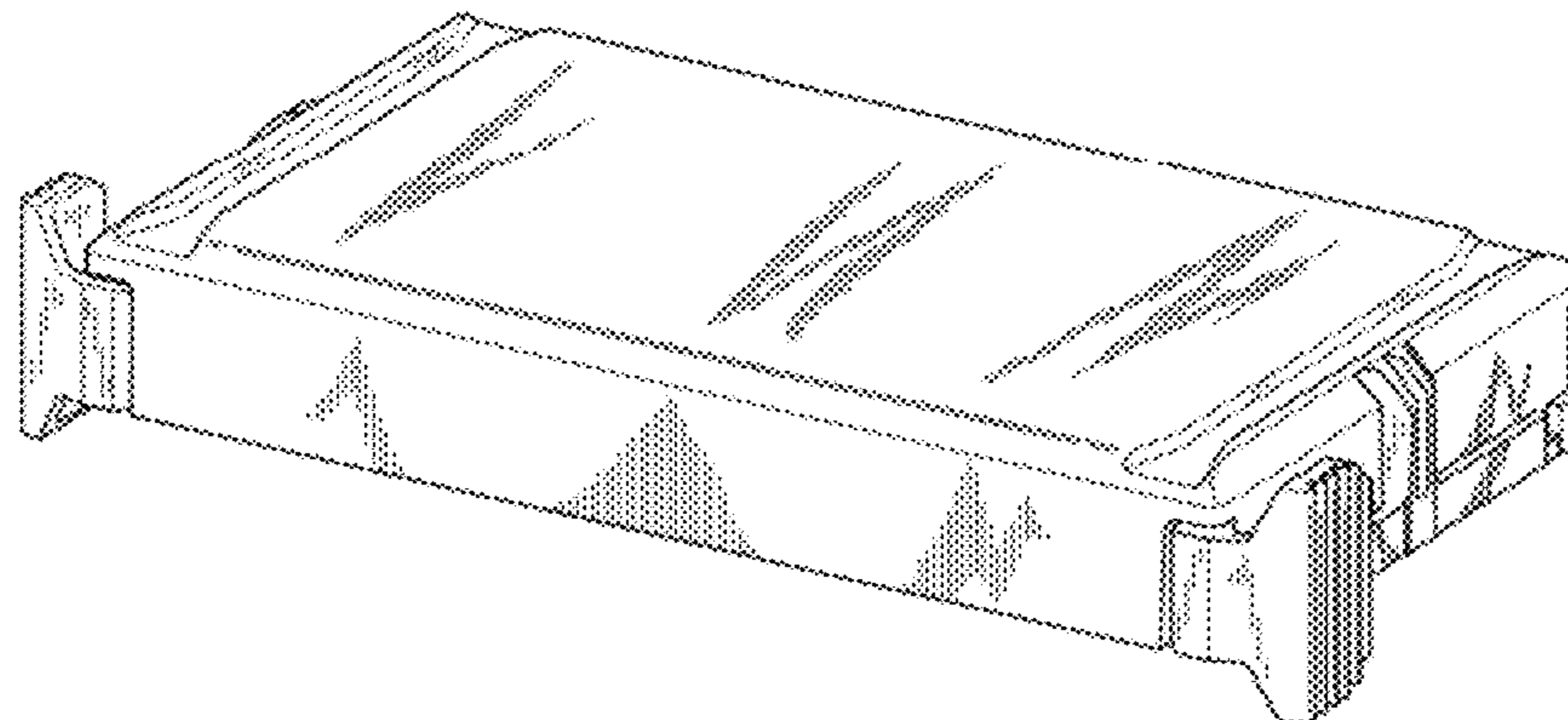


FIG. 1

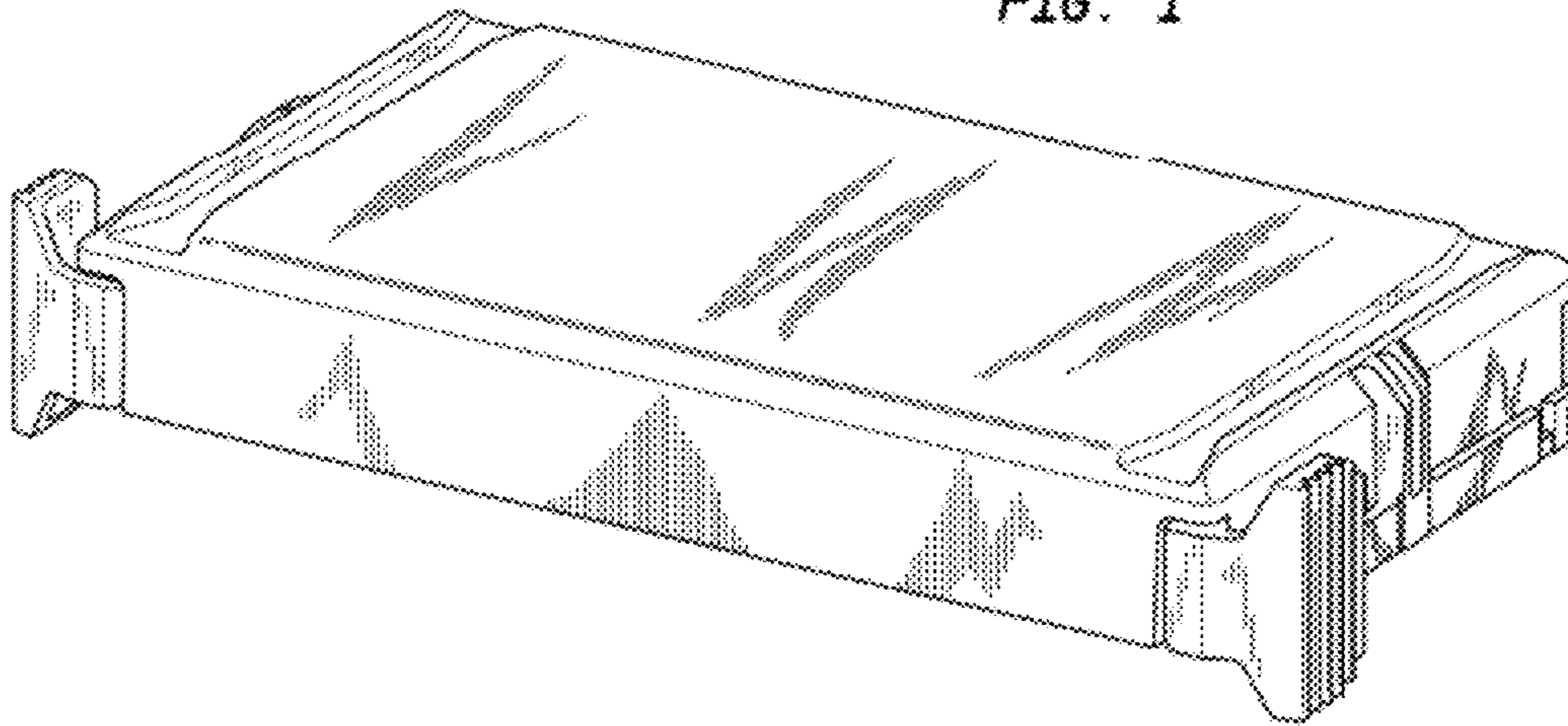


FIG. 2



FIG. 3

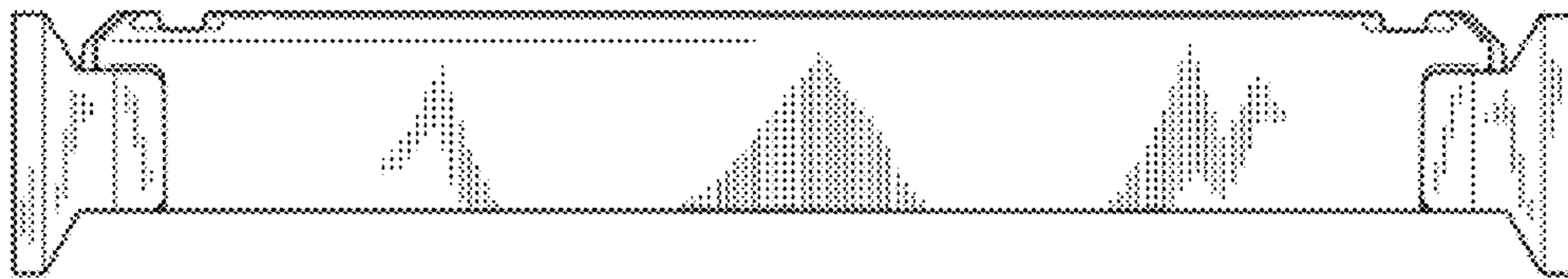


FIG. 4

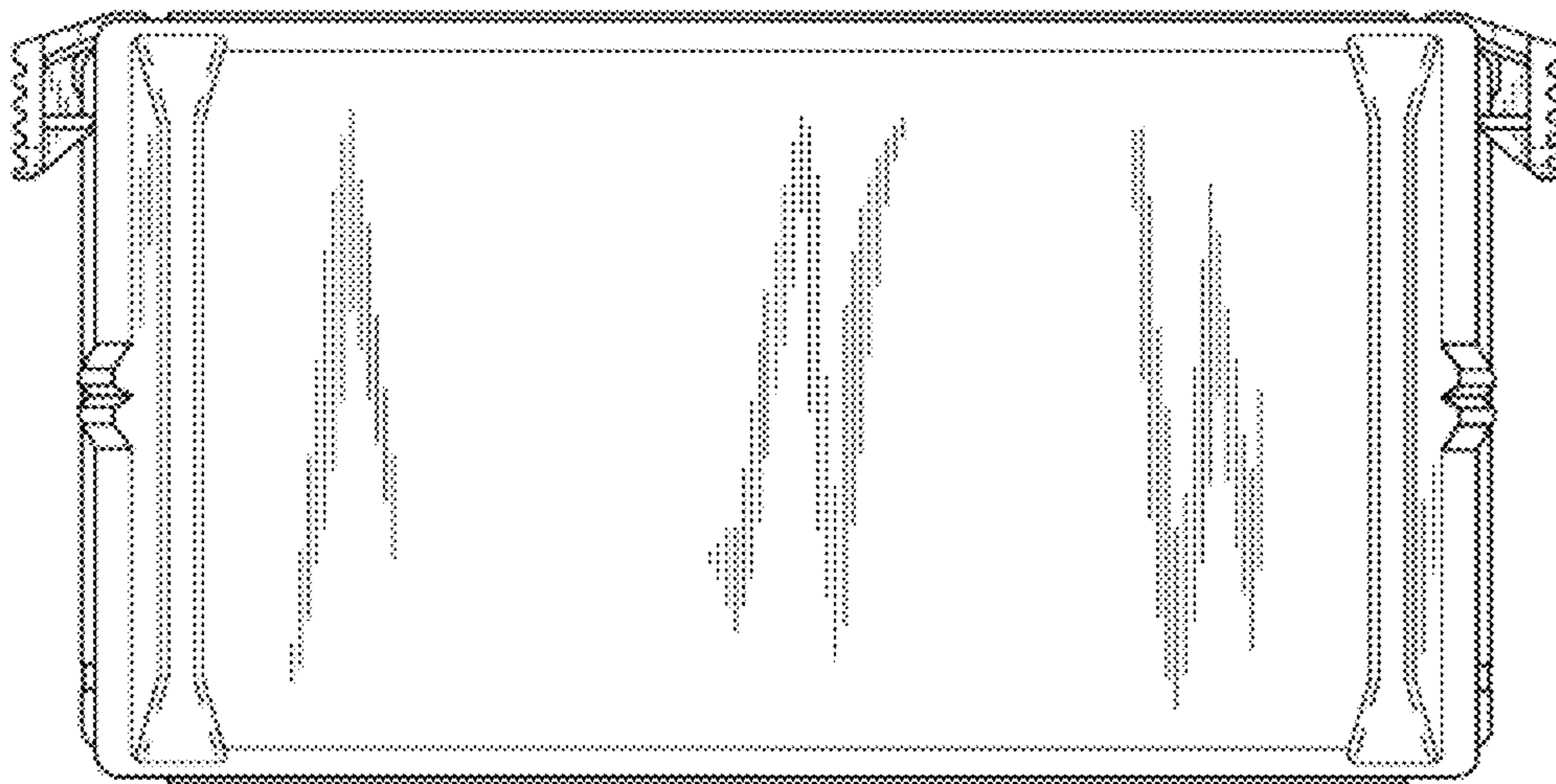


FIG. 5

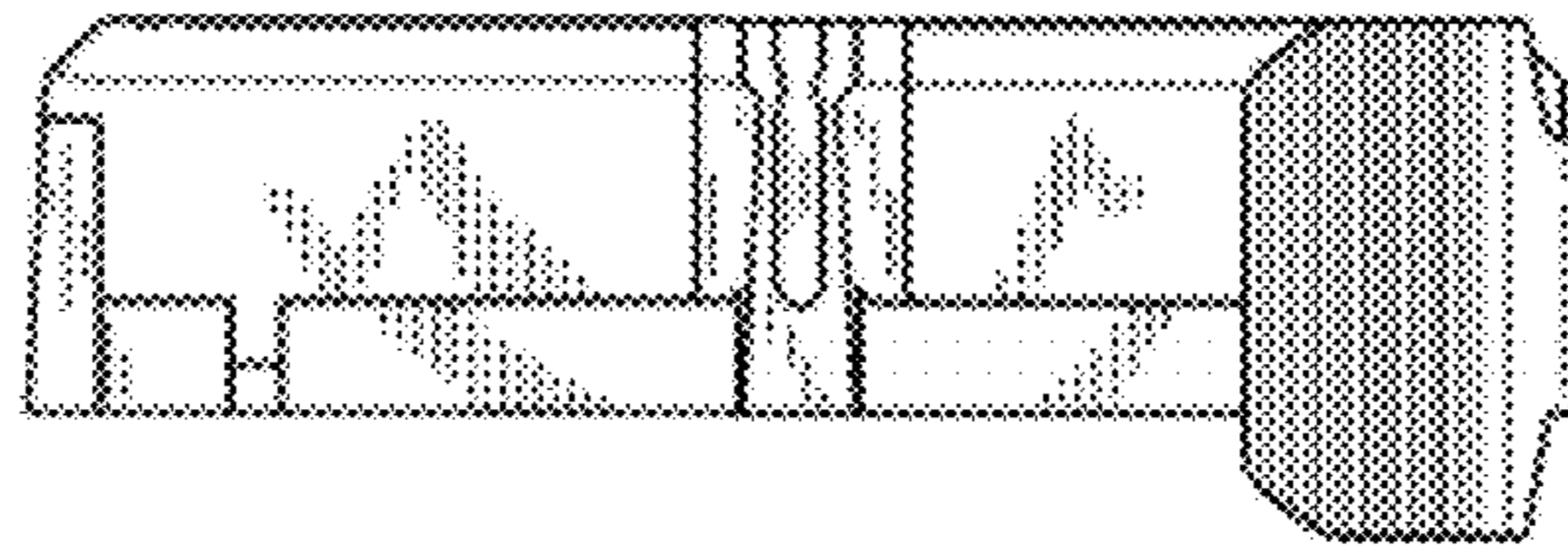


FIG. 6

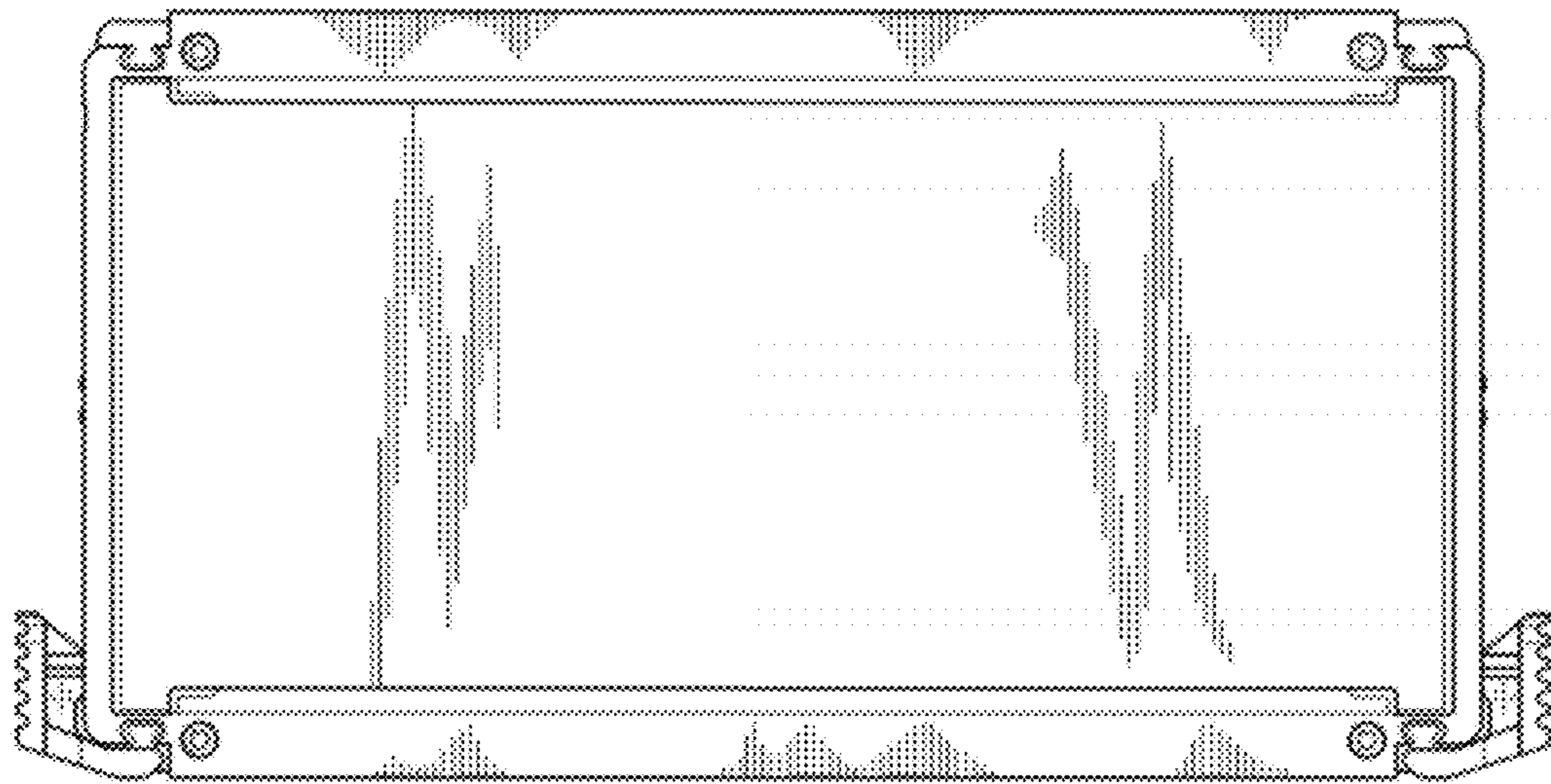


FIG. 7

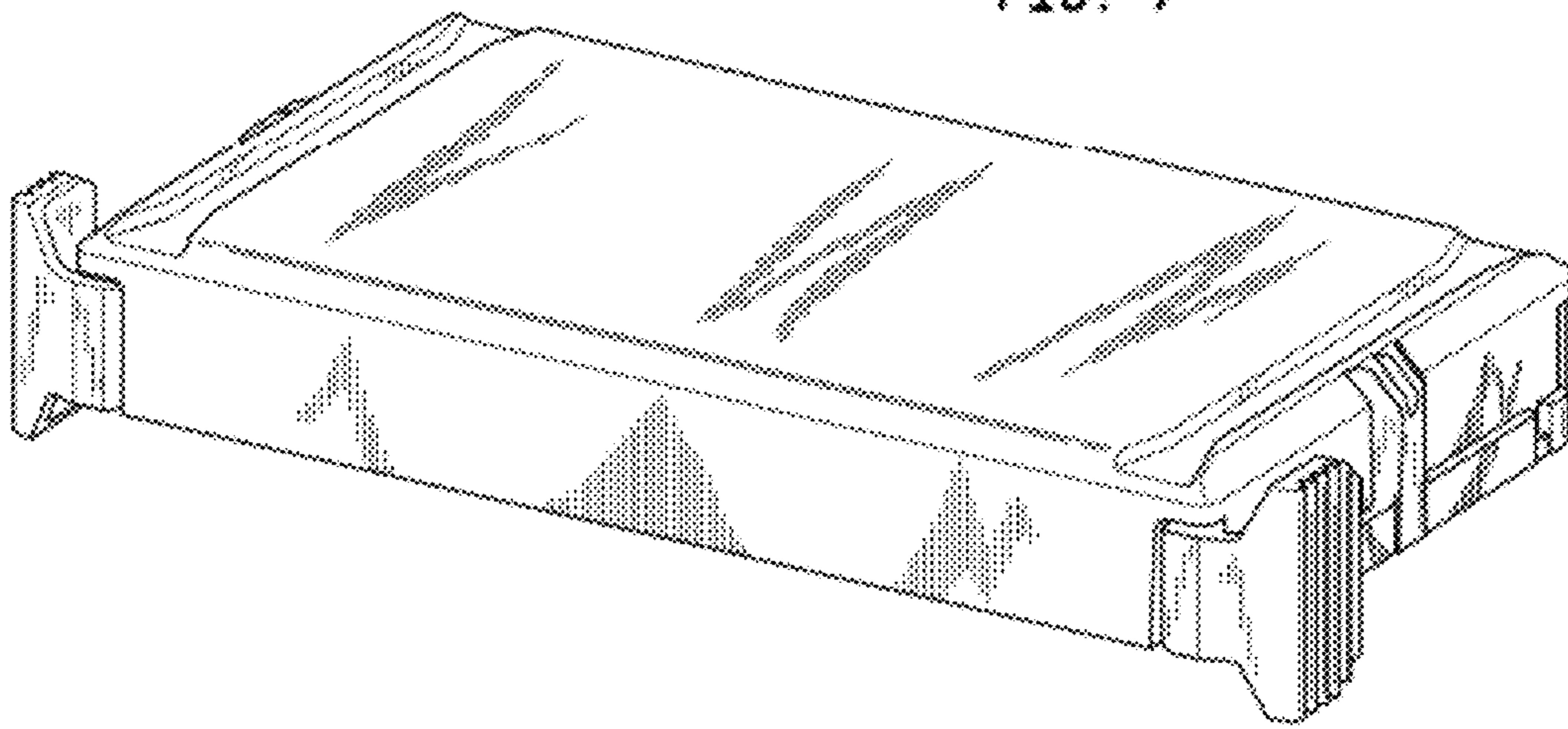


FIG. 8

