



US00D677315S

(12) **United States Design Patent**
Maier

(10) **Patent No.:** **US D677,315 S**
(45) **Date of Patent:** **** Mar. 5, 2013**

(54) **EYEGLASSES**

(75) Inventor: **Tomas Maier**, Delray Beach, FL (US)

(73) Assignee: **Bottega Veneta S.A.**, Cadempino (CH)

(**) Term: **14 Years**

(21) Appl. No.: **29/431,975**

(22) Filed: **Sep. 12, 2012**

(30) **Foreign Application Priority Data**

Mar. 21, 2012 (WO) DM/078 008

(51) **LOC (9) Cl.** **16-06**

(52) **U.S. Cl.** **D16/323**; D16/335; D16/326

(58) **Field of Classification Search** D16/101,
D16/300-342, 900; D29/109-110; D24/110.2;
351/41, 44, 51-52, 62, 158, 92, 103-123,
351/140, 153, 45-46; 2/426-432, 447-449,
2/441, 434-437, 13, 15; D21/483, 659-661;
D14/372

See application file for complete search history.

(56) **References Cited**

U.S. PATENT DOCUMENTS

D227,407 S * 6/1973 Marchi D16/323
D243,951 S * 4/1977 Shindler D16/326
D559,538 S * 1/2008 Dew D3/232

D568,369 S * 5/2008 Della Valle D16/326
D568,923 S * 5/2008 Fuchs D16/326
D581,659 S * 12/2008 Sassi D3/232
D586,380 S * 2/2009 Yee D16/326
D594,501 S * 6/2009 Yee D16/326
D601,615 S * 10/2009 Mage D16/326
D637,644 S * 5/2011 Gonzalez D16/326
D648,772 S * 11/2011 Shin et al. D16/326
D648,773 S * 11/2011 Thixton D16/326
D650,826 S * 12/2011 Markovitz et al. D16/326
D654,946 S * 2/2012 Markovitz et al. D16/326
D662,537 S * 6/2012 Markovitz et al. D16/326

* cited by examiner

Primary Examiner — Raphael Barkai

(74) *Attorney, Agent, or Firm* — Lucas & Mercanti, LLP

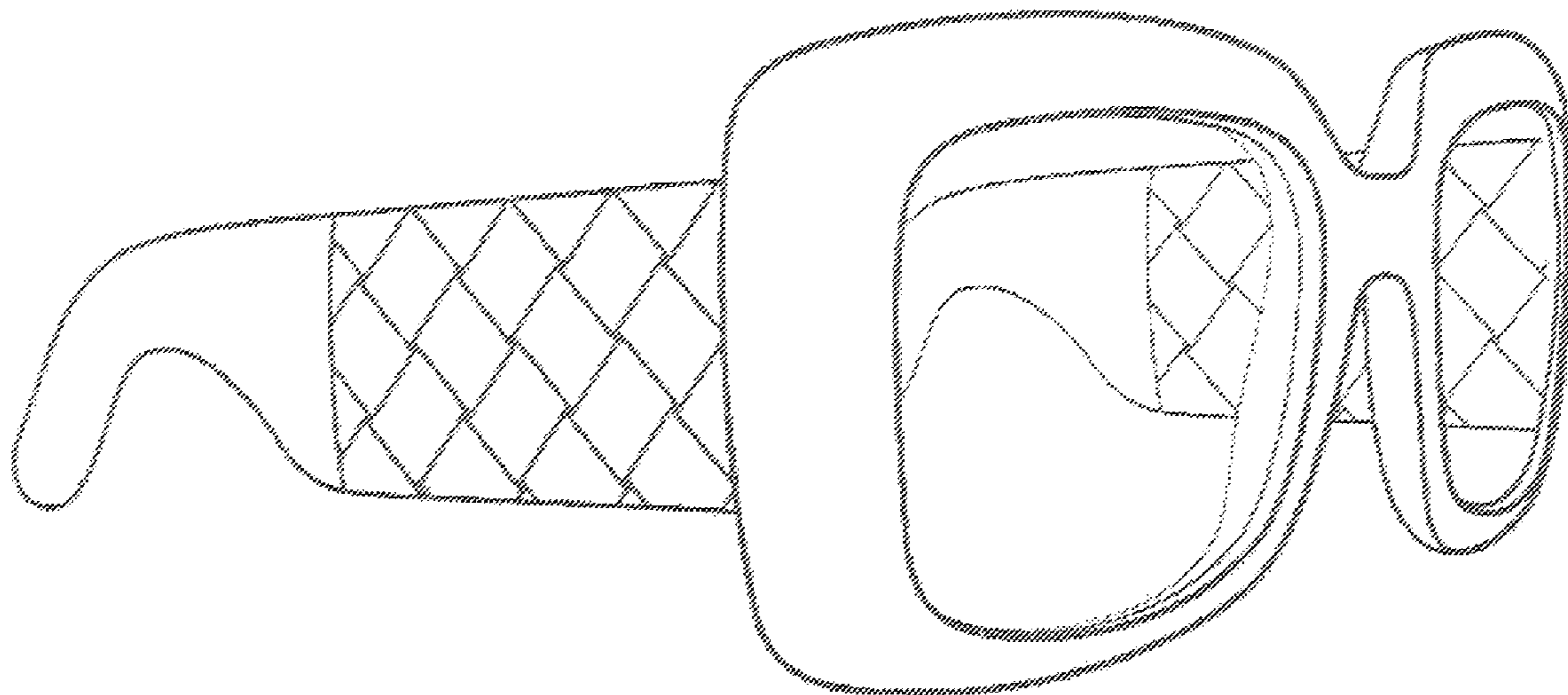
(57) **CLAIM**

I claim the ornamental design for eyeglasses, as shown and described.

DESCRIPTION

FIG. 1 is a perspective view of the of eyeglasses showing my new design;
FIG. 2 is a left side view thereof;
FIG. 3 is a right side view thereof;
FIG. 4 is a front view thereof;
FIG. 5 is a rear view thereof;
FIG. 6 is a top view thereof; and,
FIG. 7 is a bottom view thereof.

1 Claim, 7 Drawing Sheets



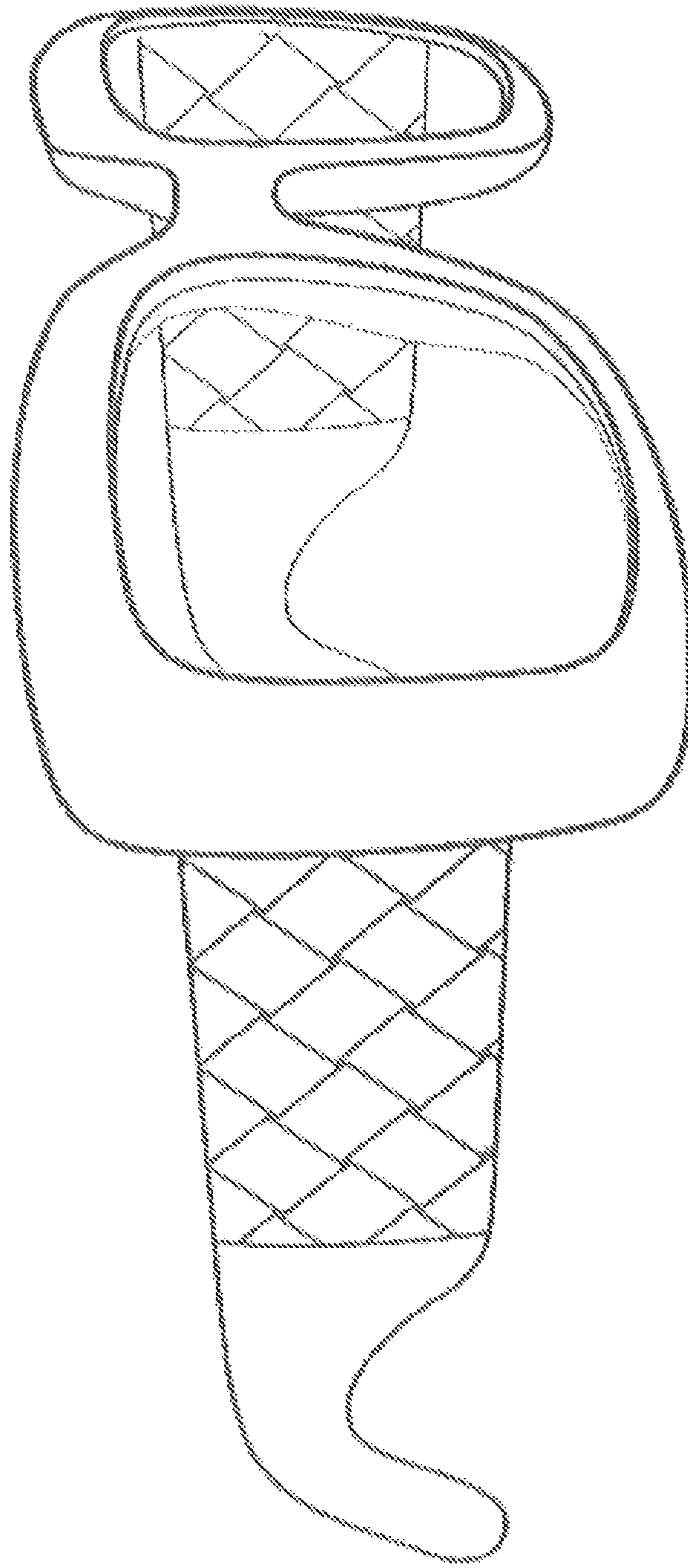


FIG. 1

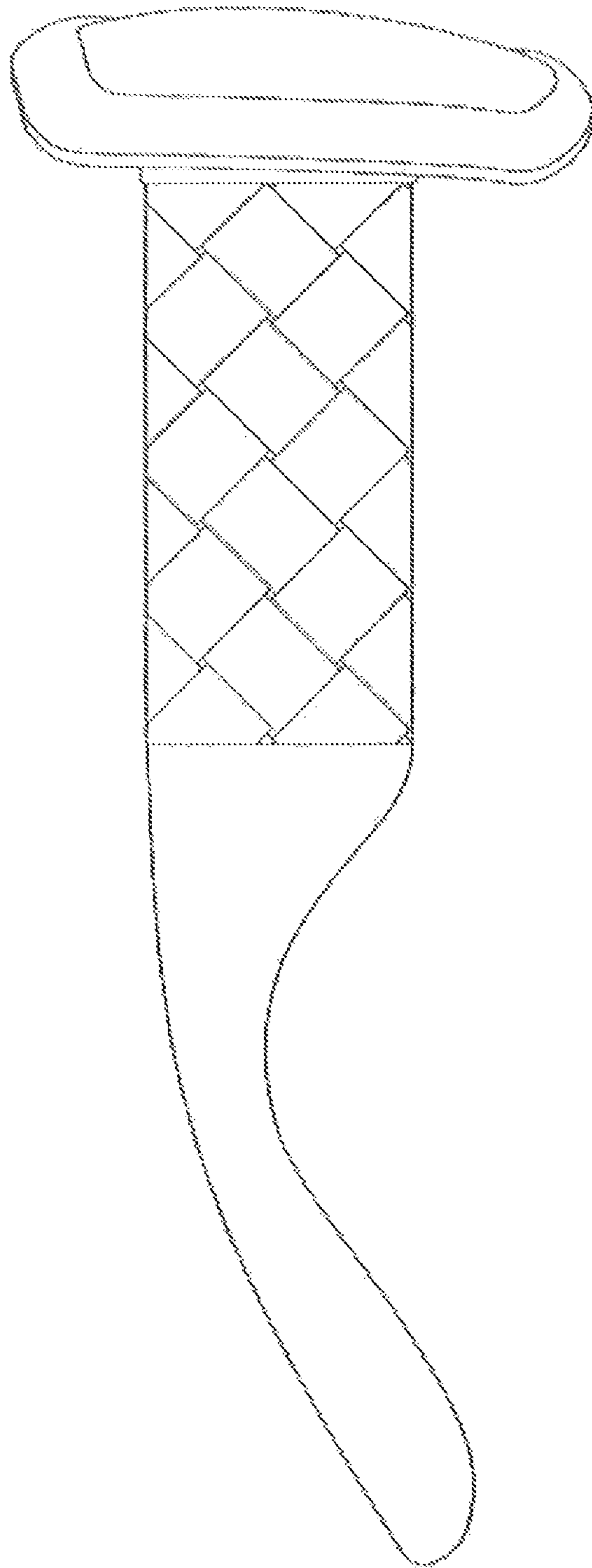


FIG. 2

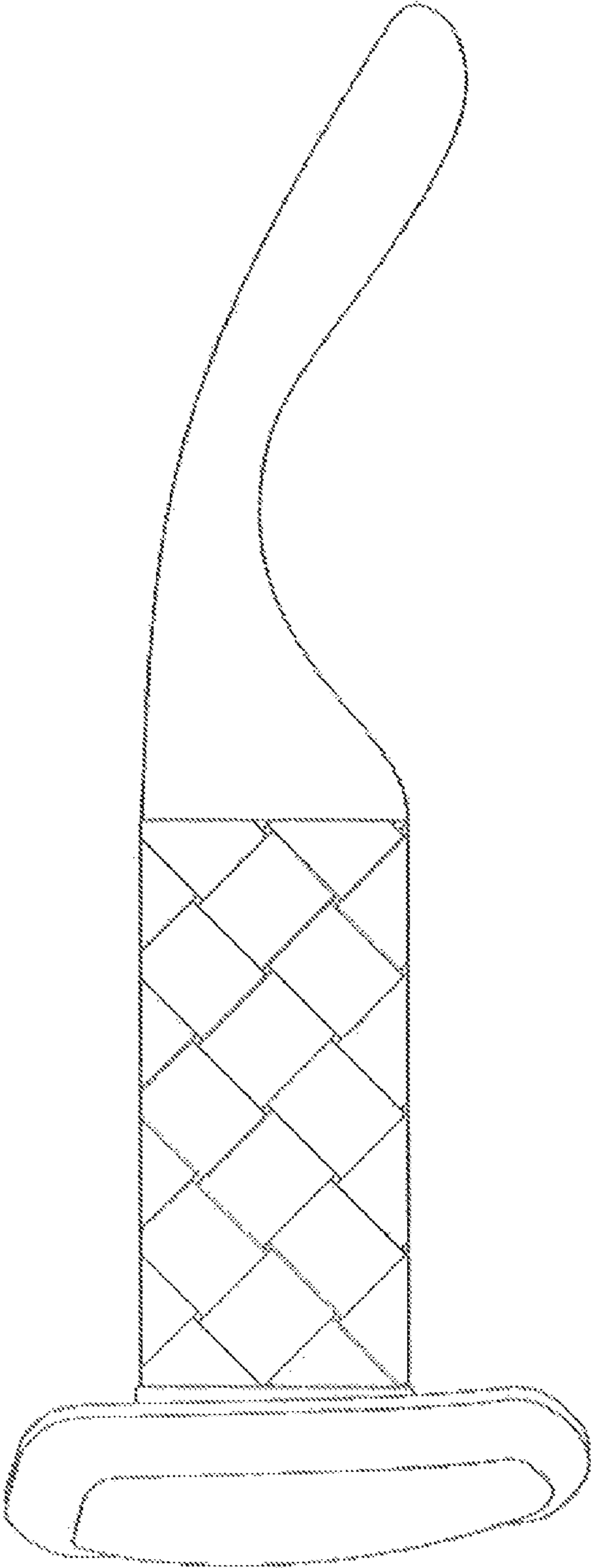


FIG. 3

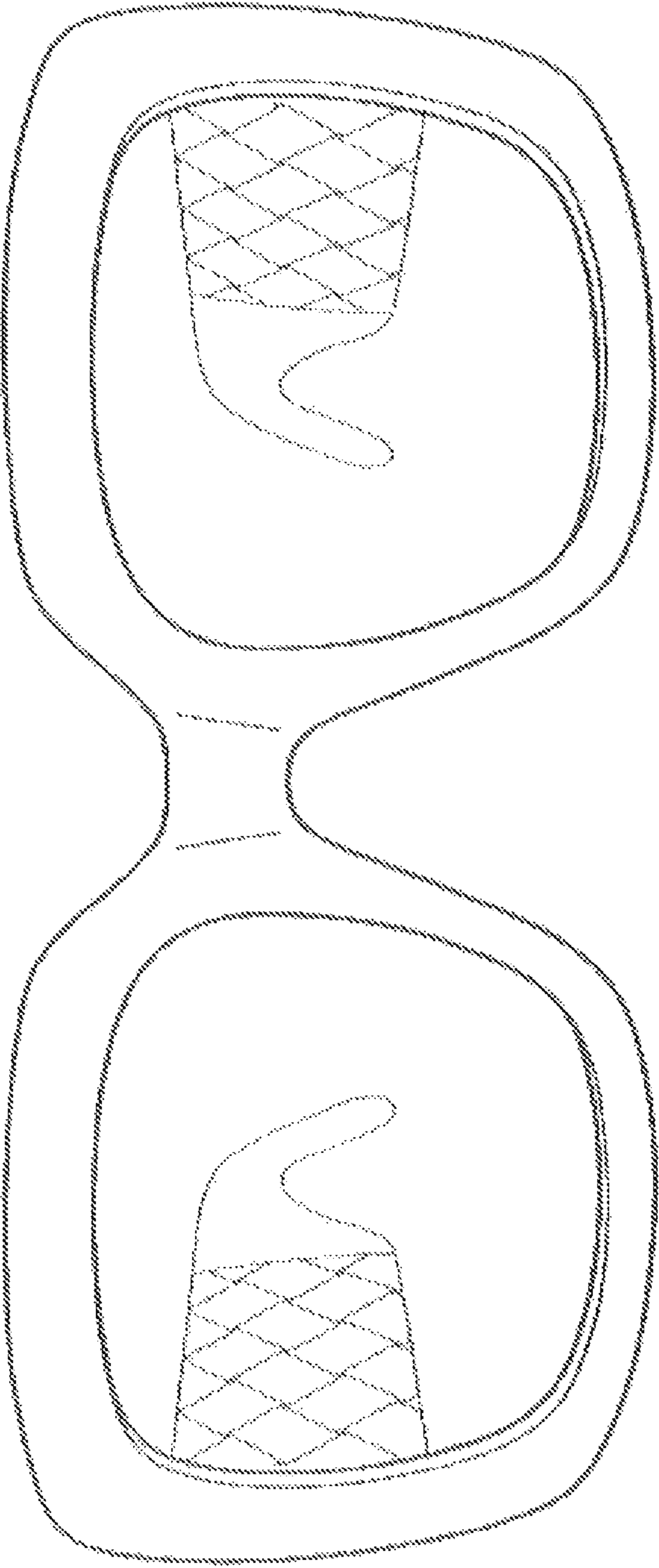


FIG. 4

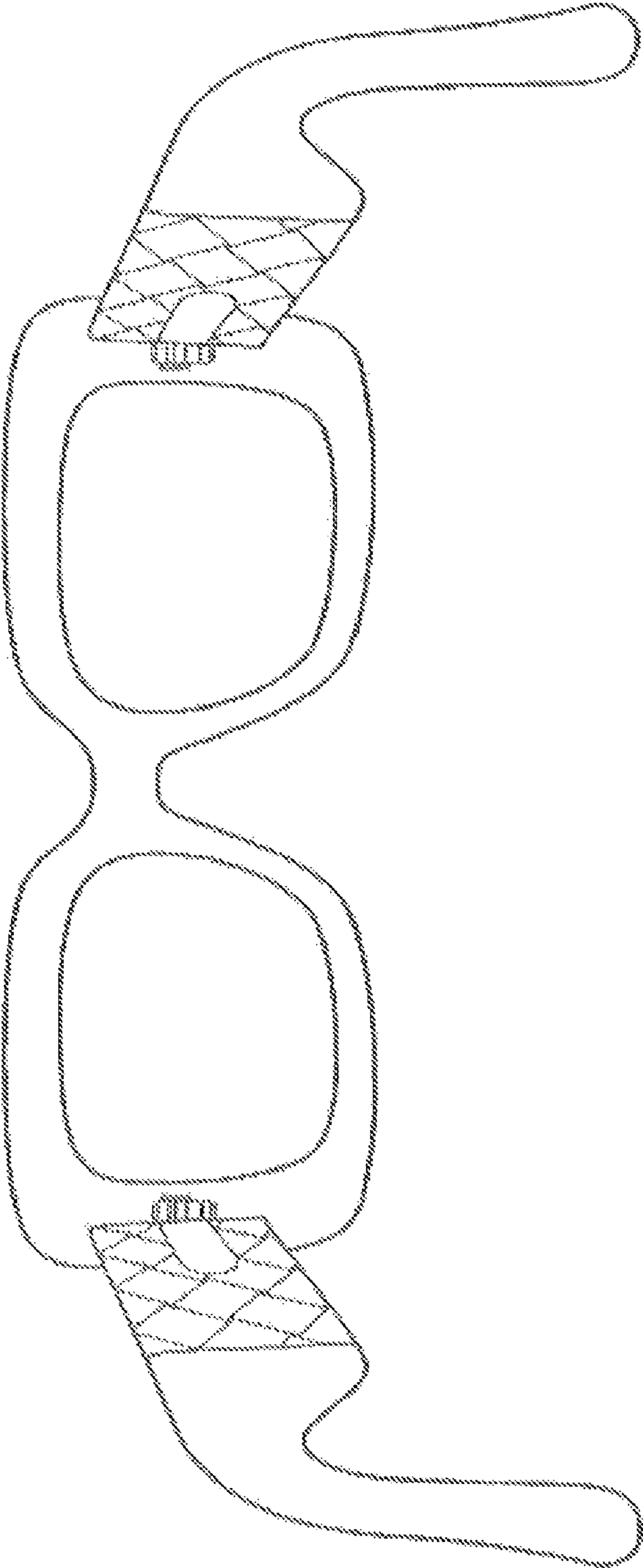


FIG. 5

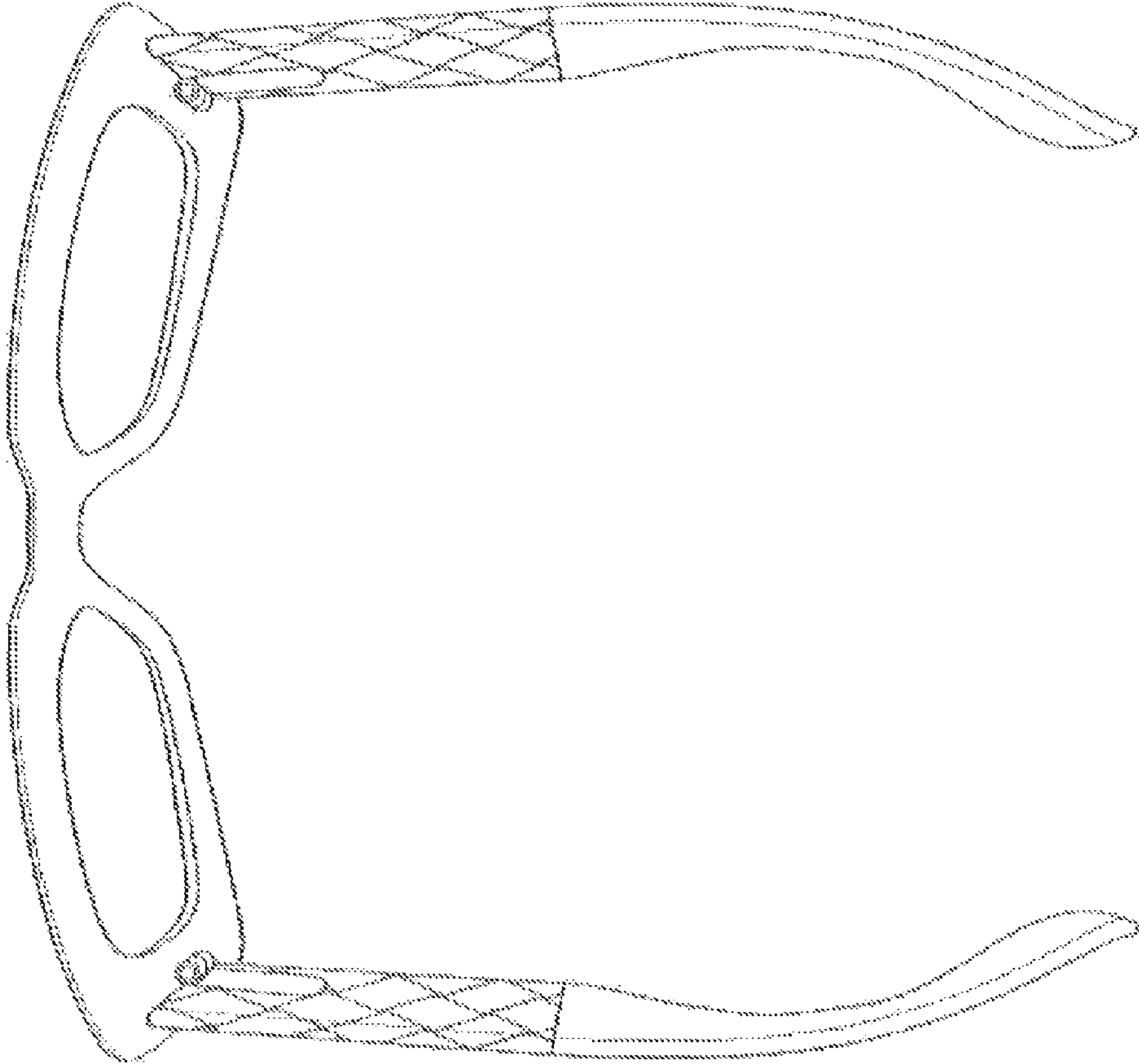


FIG. 6

FIG. 7

