



US00D677309S

(12) **United States Design Patent**
Asano

(10) **Patent No.:** **US D677,309 S**
(45) **Date of Patent:** **** Mar. 5, 2013**

(54) **CAMERA GRIP**

(75) Inventor: **Hiroyuki Asano**, Tokyo (JP)

(73) Assignee: **Nikon Corporation**, Tokyo (JP)

(**) Term: **14 Years**

(21) Appl. No.: **29/415,365**

(22) Filed: **Mar. 9, 2012**

(30) **Foreign Application Priority Data**

Sep. 15, 2011 (JP) 2011-021155

(51) **LOC (9) Cl.** **16-05**

(52) **U.S. Cl.** **D16/243**

(58) **Field of Classification Search** D16/130-132,
D16/237-245; D14/140.6, 251; D8/349;
248/176.1, 177.1, 187.1; 396/419, 428
See application file for complete search history.

(56) **References Cited**

U.S. PATENT DOCUMENTS

3,820,148	A	*	6/1974	Osanai	396/387
D246,372	S	*	11/1977	Yoshino	D16/243
D258,067	S	*	1/1981	Bogart, Jr.	D16/243
D270,916	S	*	10/1983	Cheplo	D16/243
D283,624	S	*	4/1986	Maitani et al.	D16/219
D308,389	S	*	6/1990	Horn et al.	D16/242
D391,937	S	*	3/1998	Rosen	D14/452

D425,540	S	*	5/2000	Hubbell	D16/242
D427,223	S	*	6/2000	Shimamura et al.	D16/242
D452,260	S	*	12/2001	Petravic et al.	D16/243

* cited by examiner

Primary Examiner — Robert M Spear

Assistant Examiner — Vy Koenig

(74) *Attorney, Agent, or Firm* — Wolf, Greenfield & Sacks, P.C.; Randy J. Pritzker

(57) **CLAIM**

The ornamental design for a camera grip, as shown and described.

DESCRIPTION

FIG. 1 is a front view of a camera grip showing my new design;
FIG. 2 is a rear perspective view thereof;
FIG. 3 is a front view thereof;
FIG. 4 is a rear view thereof;
FIG. 5 is a top plan view thereof;
FIG. 6 is a bottom plan view thereof;
FIG. 7 is a right side view thereof;
FIG. 8 is a left side view thereof; and,
FIG. 9 is a referential view showing the article in use.
The features shown in broken lines in the drawings depict environmental subject matter only and form no part of the claimed design.

1 Claim, 8 Drawing Sheets

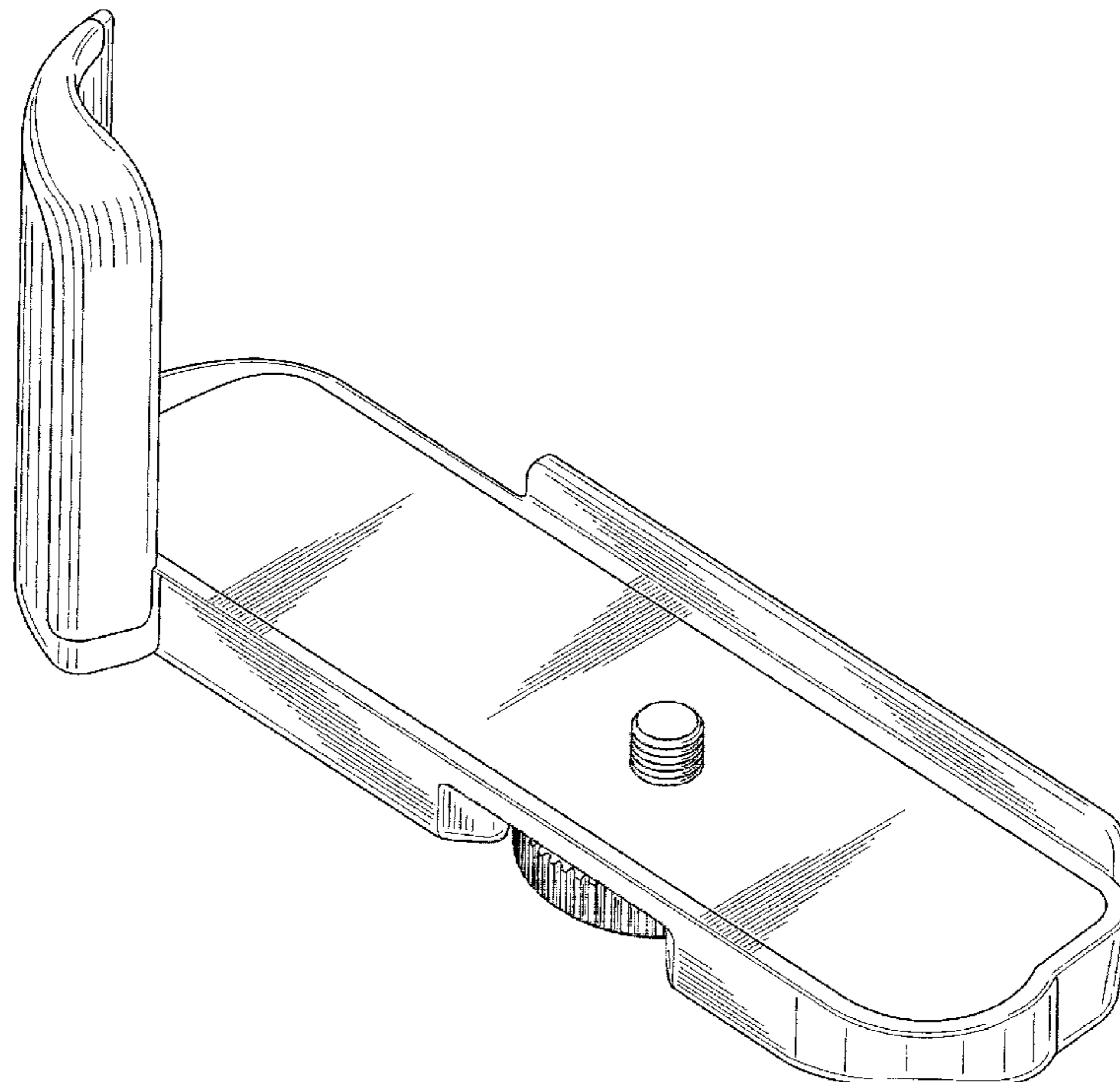
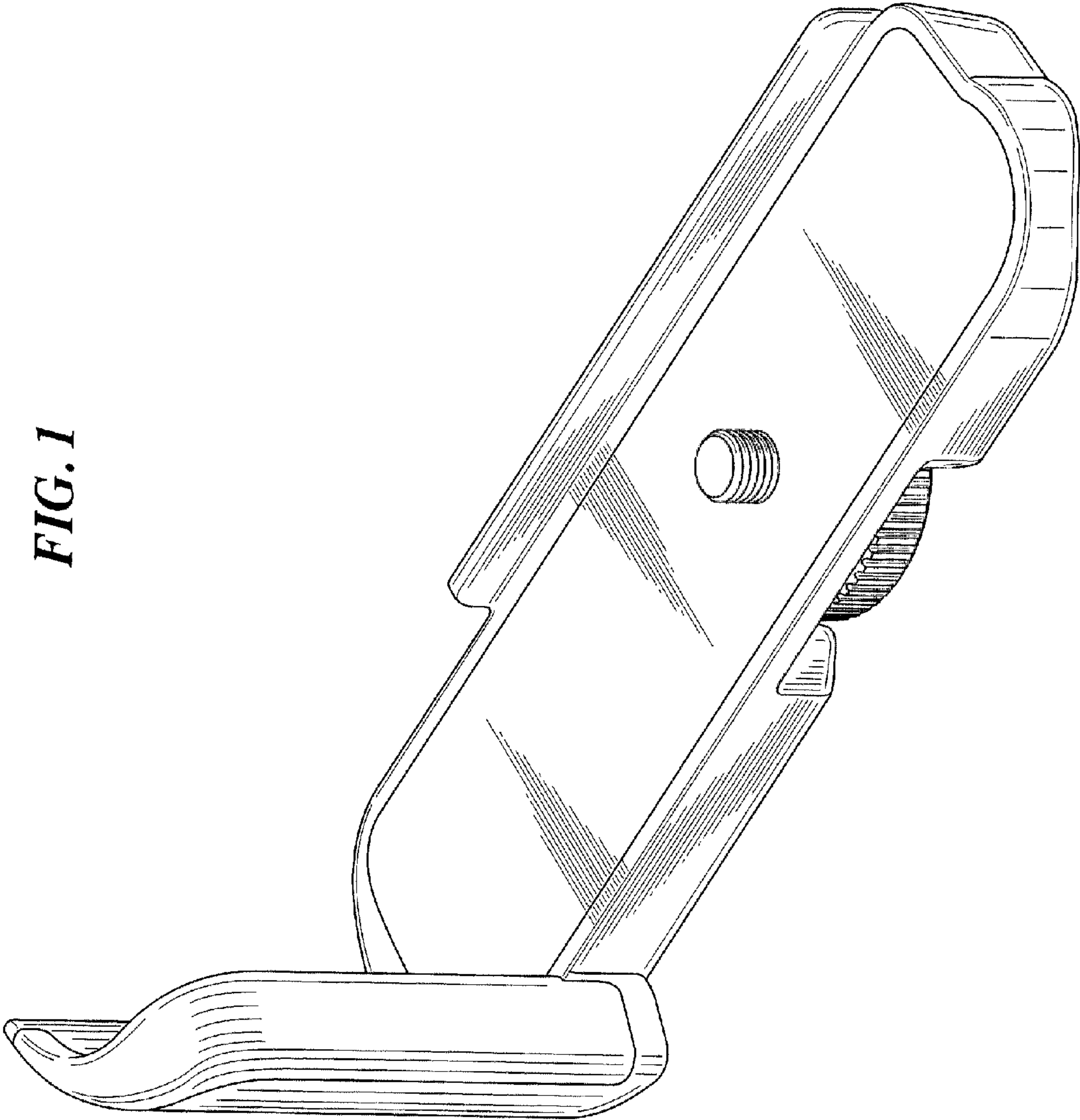


FIG. 1



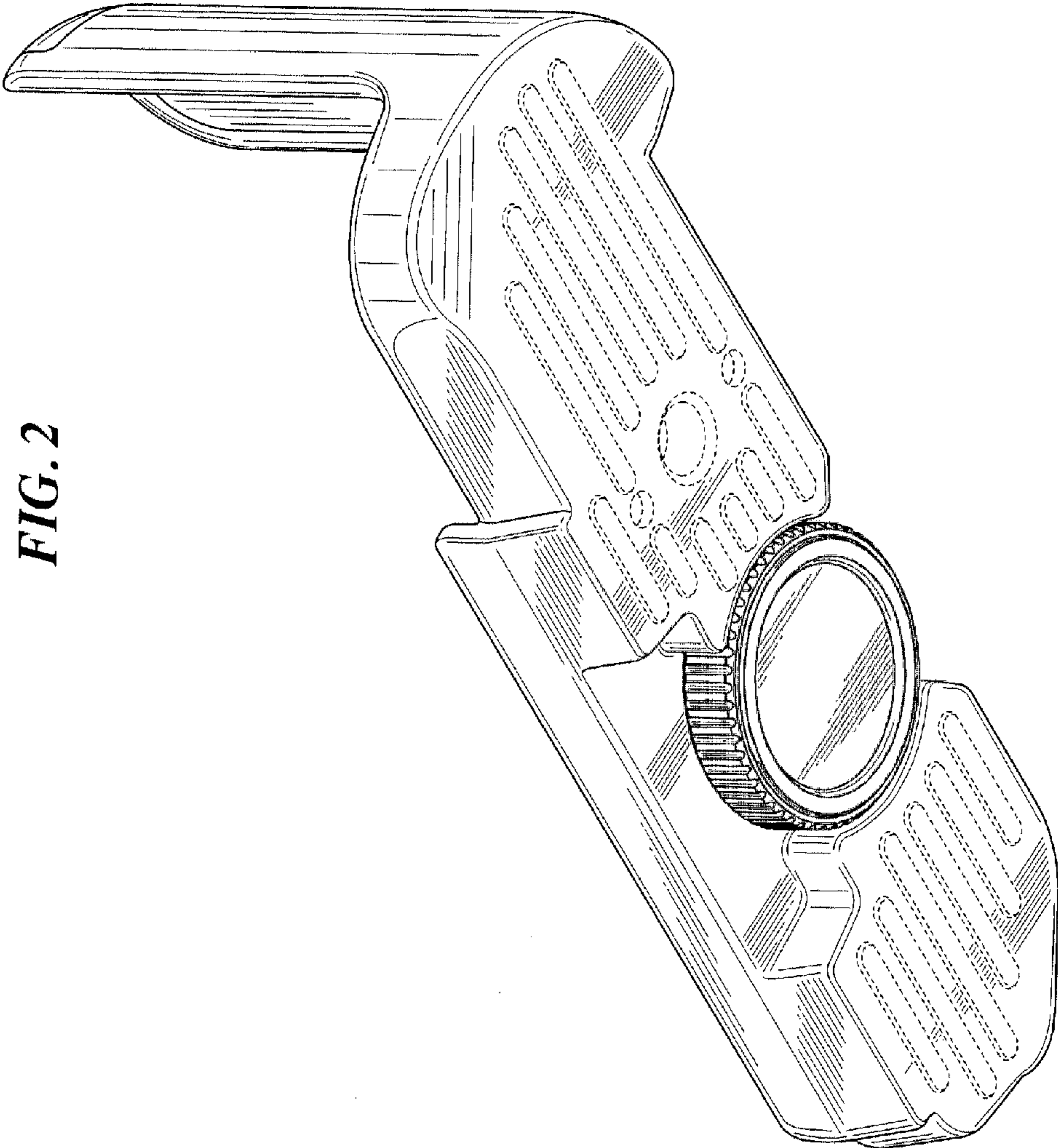


FIG. 2

FIG. 3

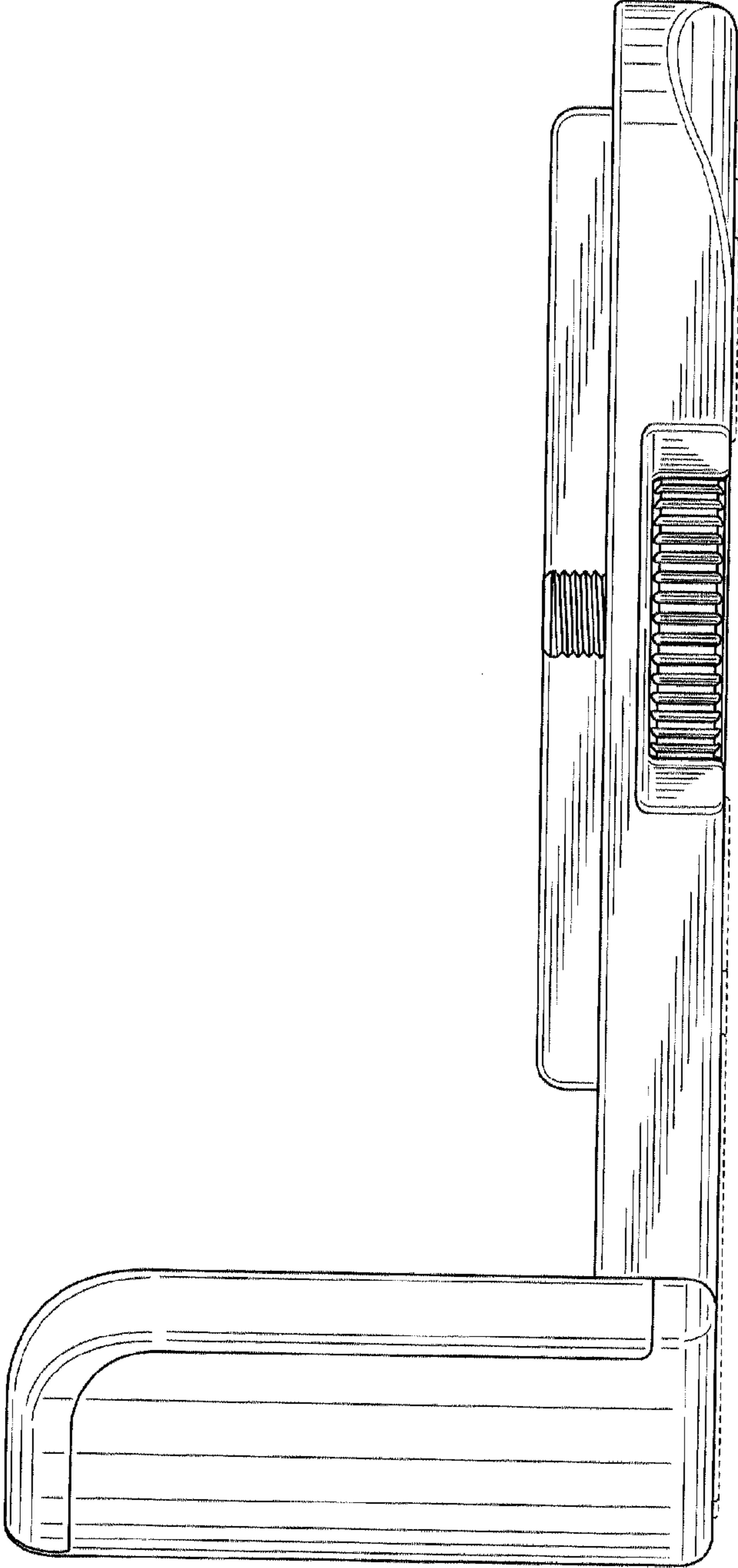


FIG. 4

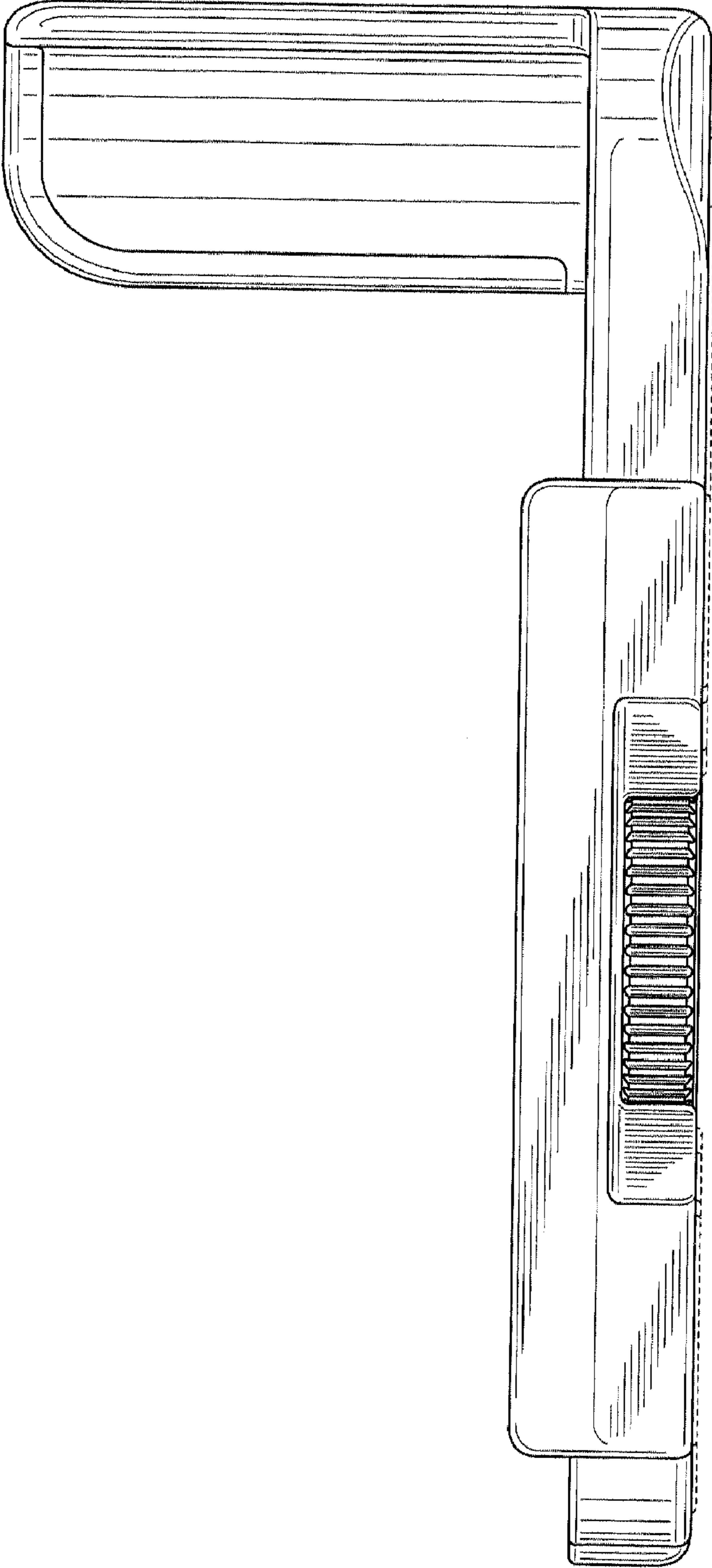


FIG. 5

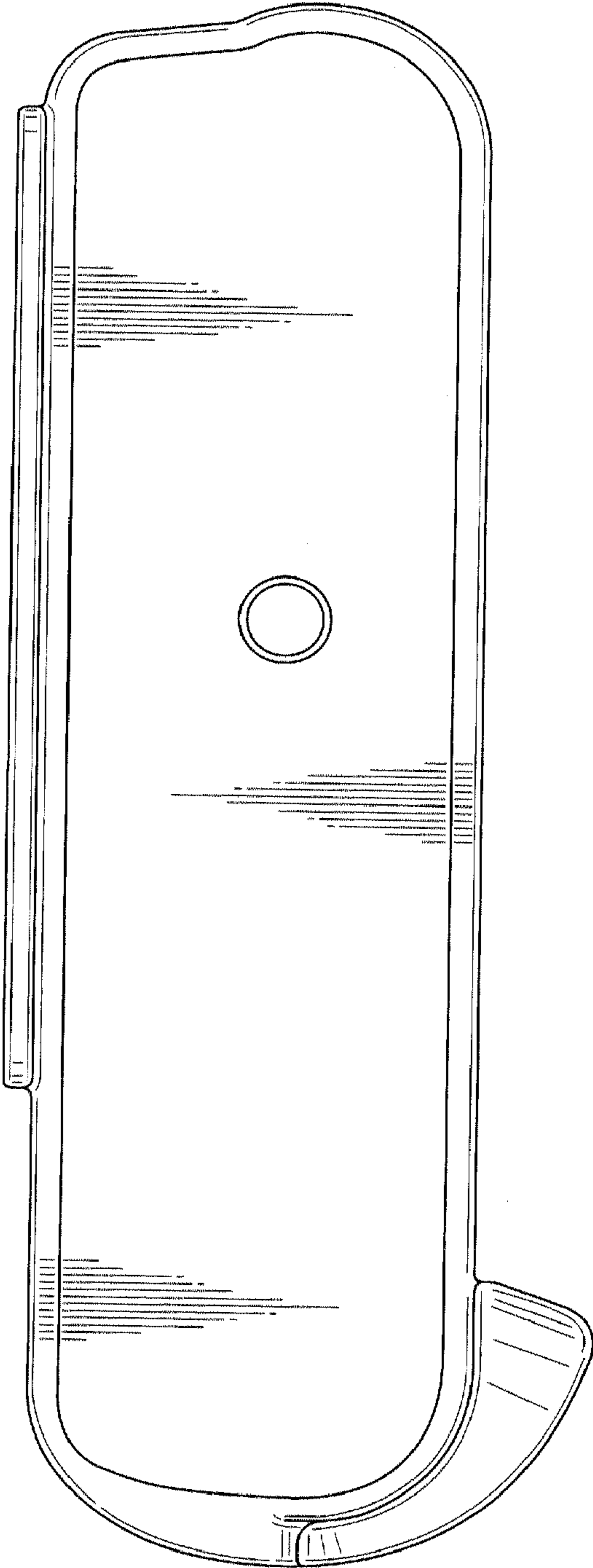


FIG. 6

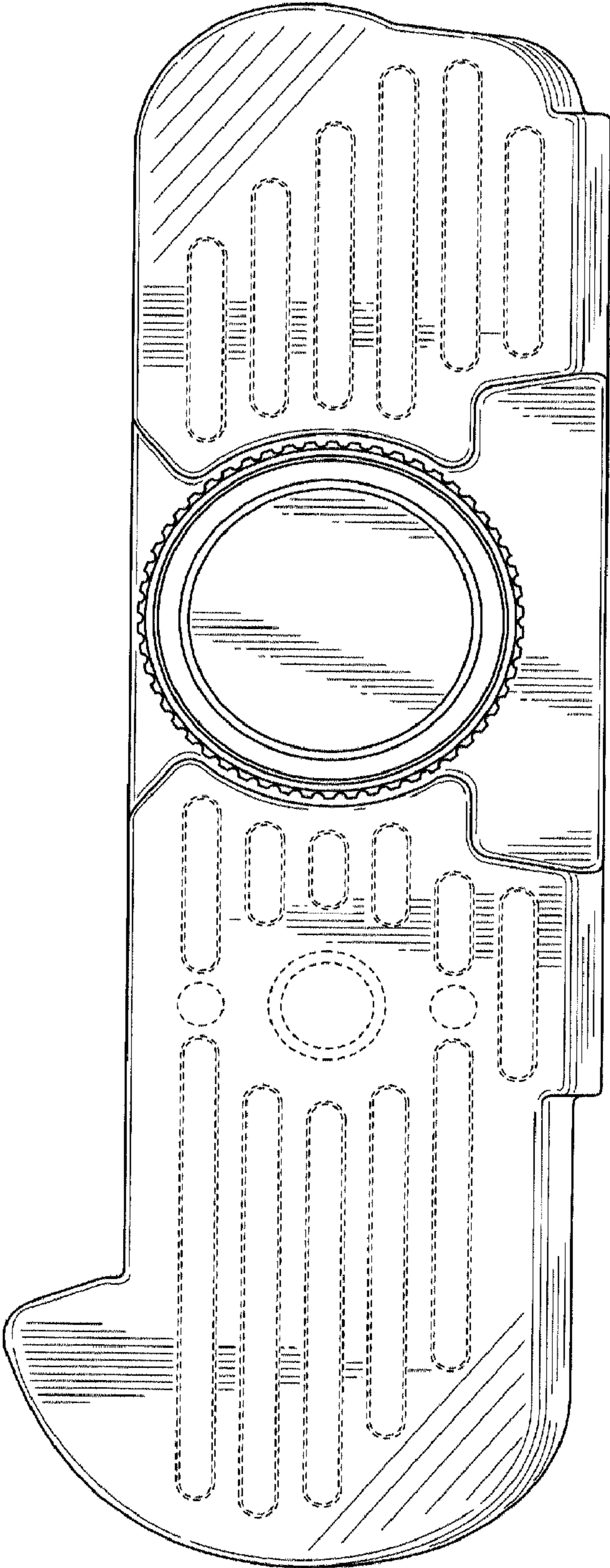


FIG. 8

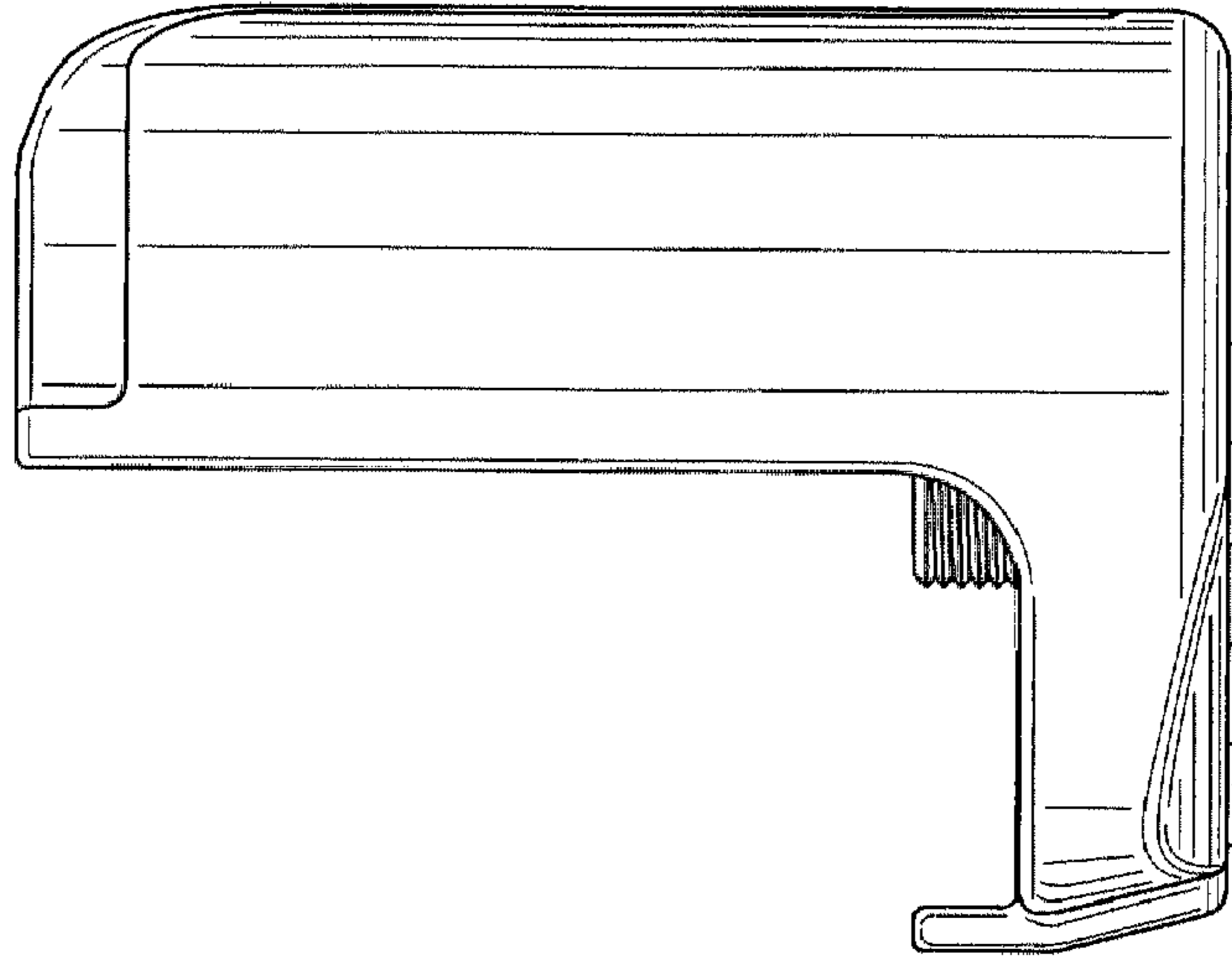


FIG. 7

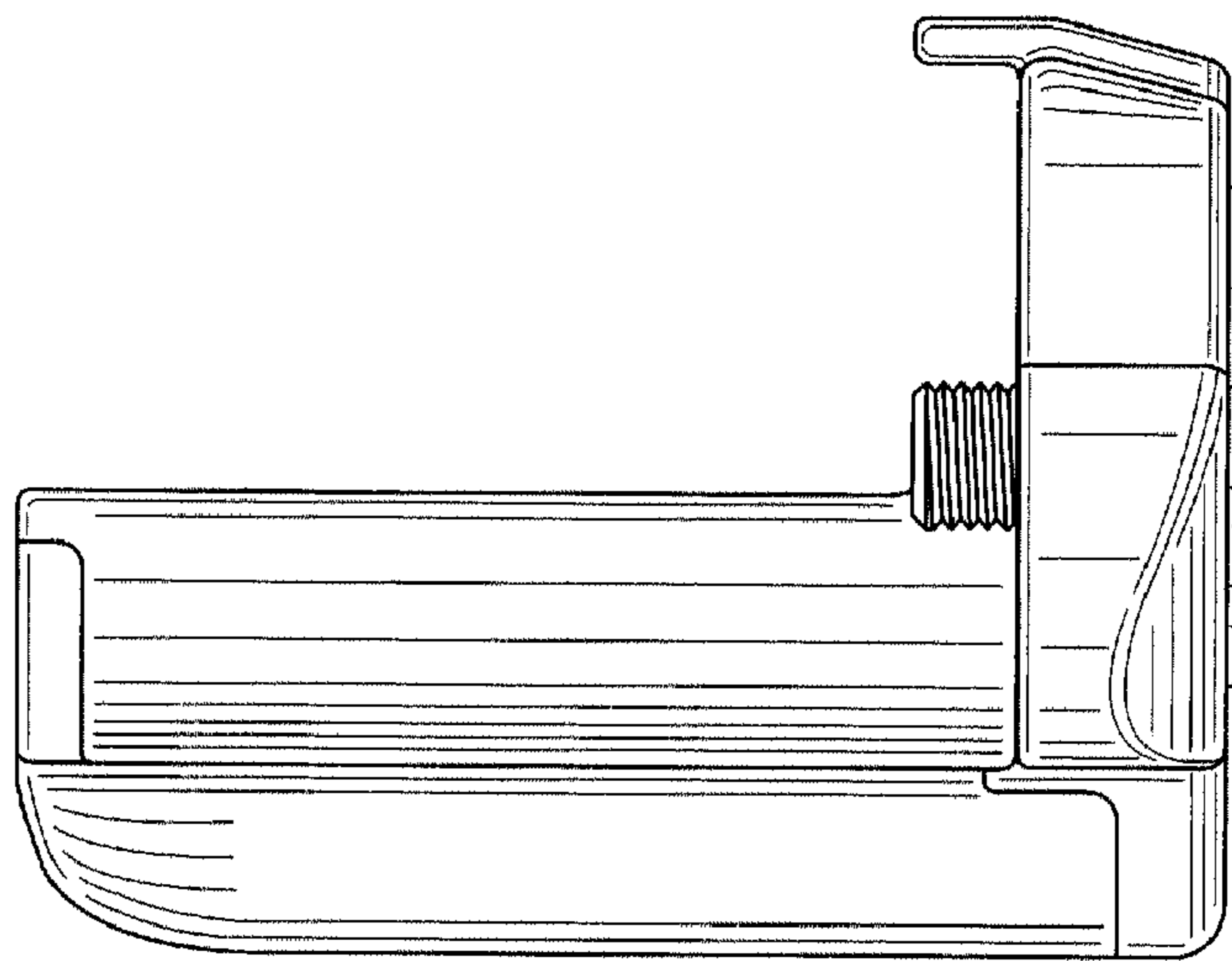


FIG. 9

