



US00D677305S

(12) **United States Design Patent**
Inoue et al.

(10) **Patent No.:** **US D677,305 S**
(45) **Date of Patent:** **** Mar. 5, 2013**

(54) **PROJECTOR**

(75) Inventors: **Kazuya Inoue**, Minato-ku (JP);
Toshiyuki Yamaguchi, Minato-ku (JP);
Takuji Katsutani, Ota-ku (JP)

(73) Assignee: **NEC Display Solutions, Ltd.**, Tokyo
(JP)

(**) Term: **14 Years**

(21) Appl. No.: **29/406,792**

(22) Filed: **Nov. 18, 2011**

(30) **Foreign Application Priority Data**

Jun. 9, 2011 (JP) 2011-13048

(51) **LOC (9) Cl.** **16-02**

(52) **U.S. Cl.** **D16/235; D16/230**

(58) **Field of Classification Search** D16/205,
D16/208, 219, 221, 225, 230-231, 234-235;
D21/514; 352/34, 242; 353/100-101, 115,
353/119, 122; 396/448

See application file for complete search history.

(56) **References Cited**

U.S. PATENT DOCUMENTS

D497,929 S * 11/2004 Ohki et al. D16/230
D545,865 S * 7/2007 Azuma et al. D16/230

D557,318 S * 12/2007 Nishimura et al. D16/230
D565,077 S * 3/2008 Sakamaki et al. D16/230
D565,630 S * 4/2008 Morishita D16/230
D565,631 S * 4/2008 Morishita D16/235
D569,892 S * 5/2008 Fujita et al. D16/235
D594,498 S * 6/2009 Nagase D16/235
D605,215 S * 12/2009 Azuma D16/230
D605,683 S * 12/2009 Inoue et al. D16/235
D663,349 S * 7/2012 Takeda et al. D16/235
D663,759 S * 7/2012 Cho et al. D16/230

* cited by examiner

Primary Examiner — Wan Laymon

(74) *Attorney, Agent, or Firm* — Sughrue Mion, PLLC

(57) **CLAIM**

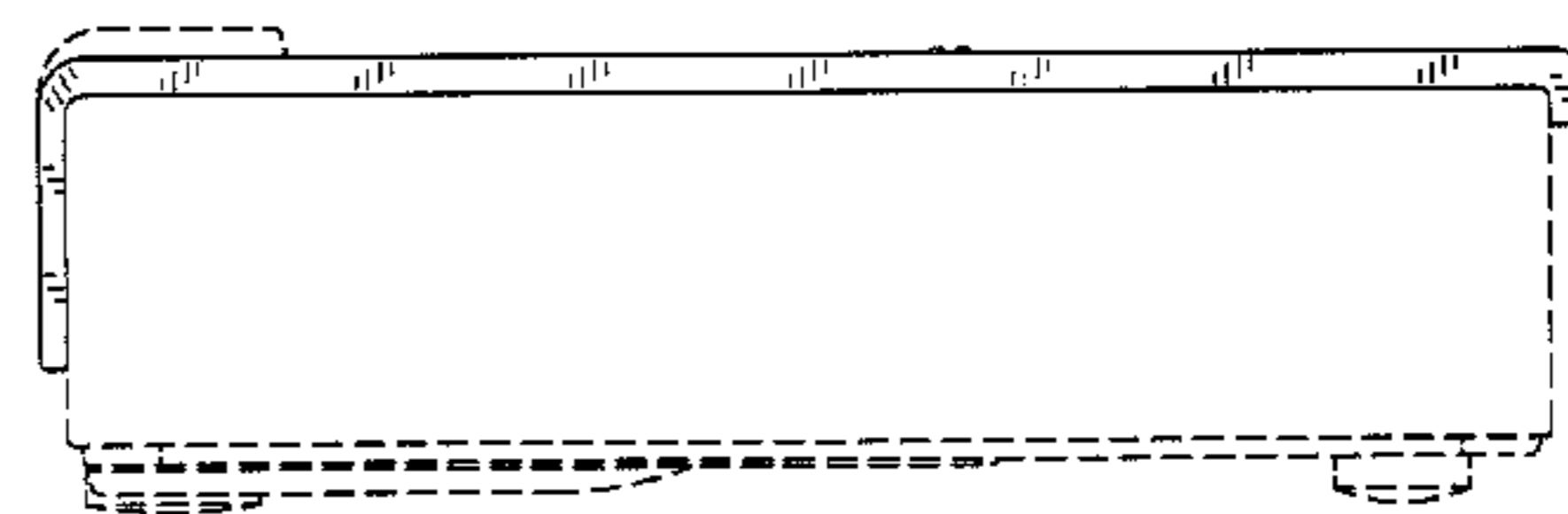
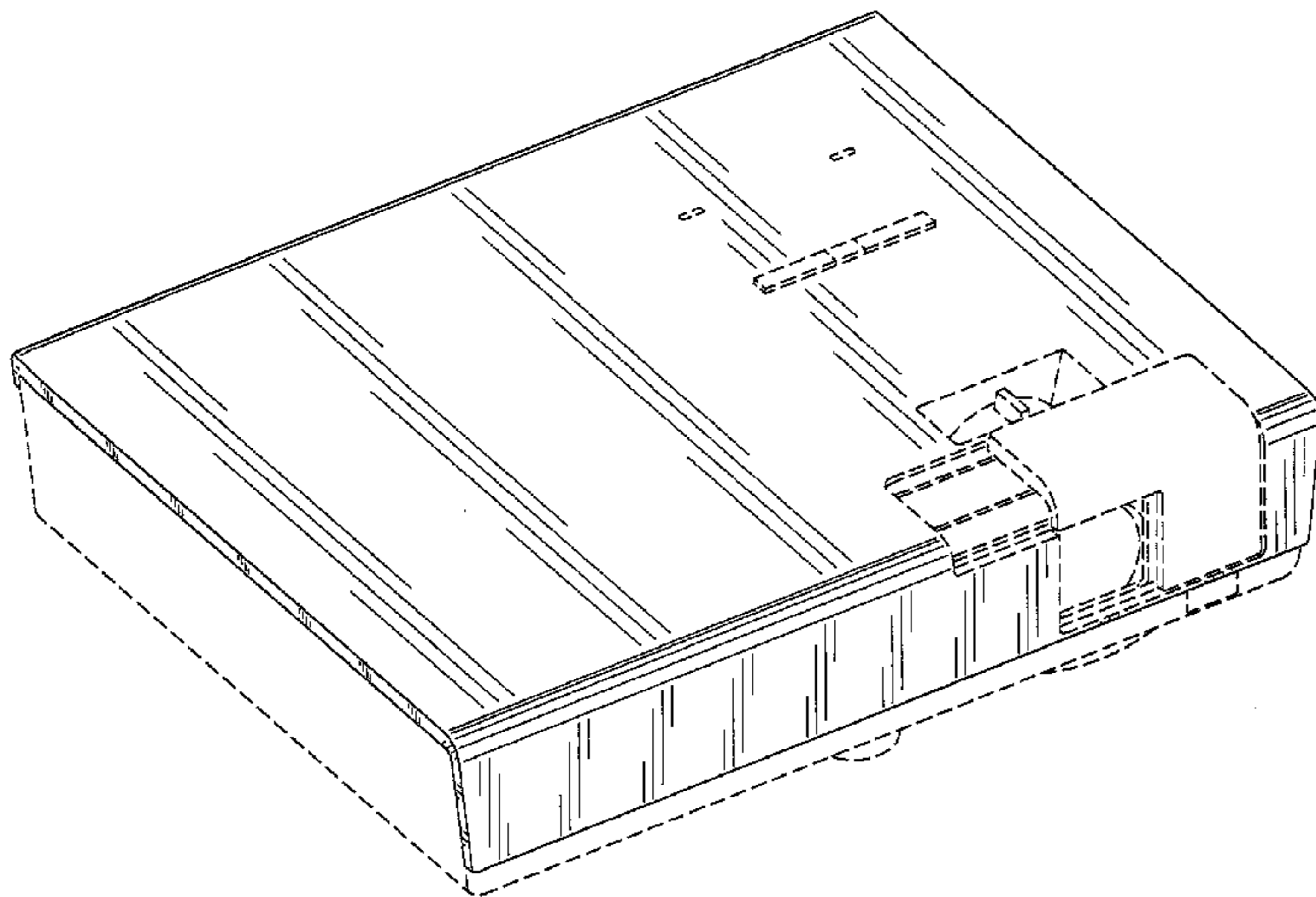
The ornamental design for a projector, as shown and described.

DESCRIPTION

FIG. 1 is a front, left side, top perspective view of a projector showing our new design;
FIG. 2 is a front elevational view thereof;
FIG. 3 is a rear elevational view thereof;
FIG. 4 is a left side elevational view thereof;
FIG. 5 is a right side elevational view thereof;
FIG. 6 is a slightly enlarged top plan view thereof;
FIG. 7 is a slightly enlarged bottom plan view thereof; and,
FIG. 8 is a front, left side, top perspective view thereof showing a state in which a lens cover is closed.

The broken lines shown in the figures represent portions of the projector that form no part of the claimed design.

1 Claim, 8 Drawing Sheets



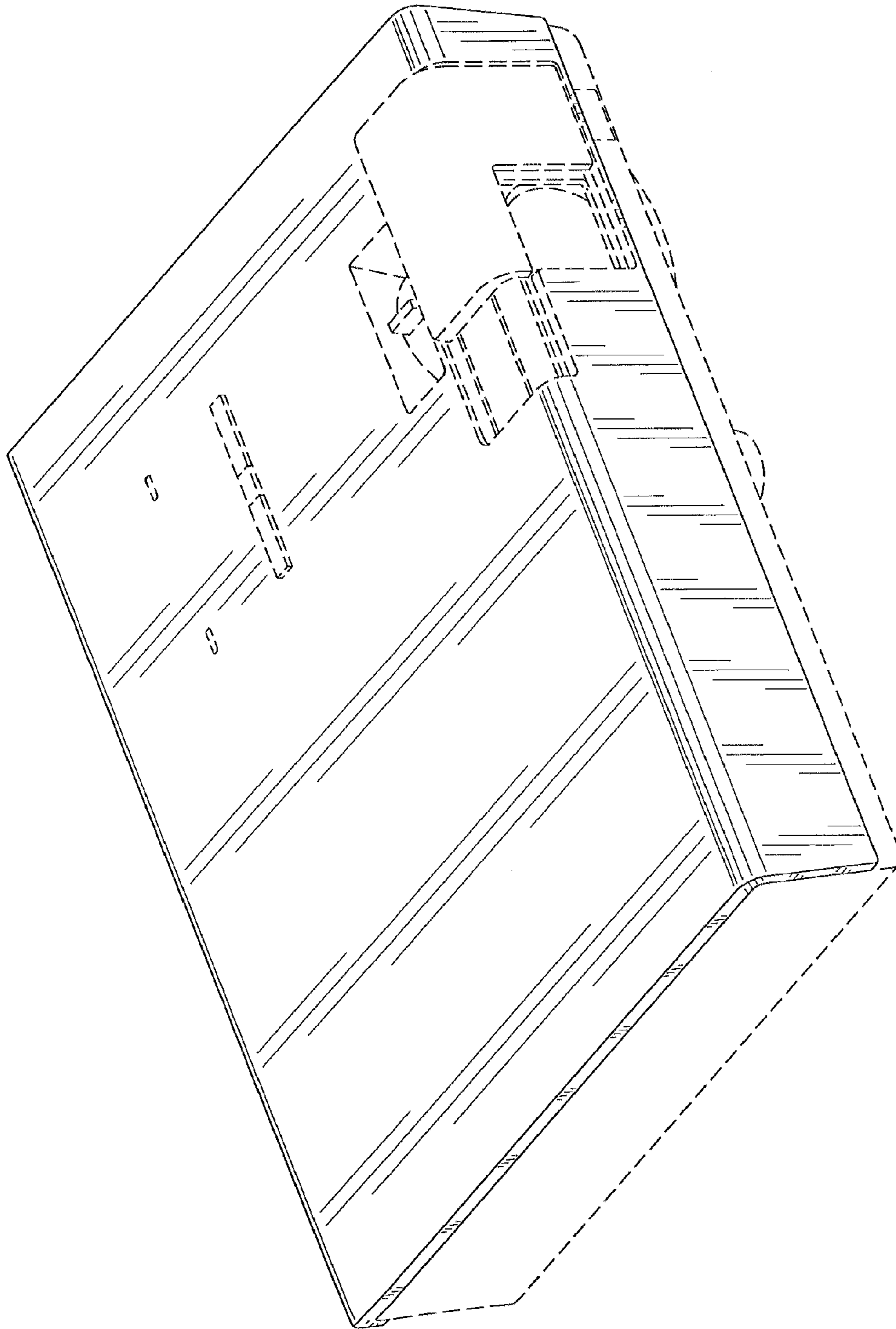


FIG. 1

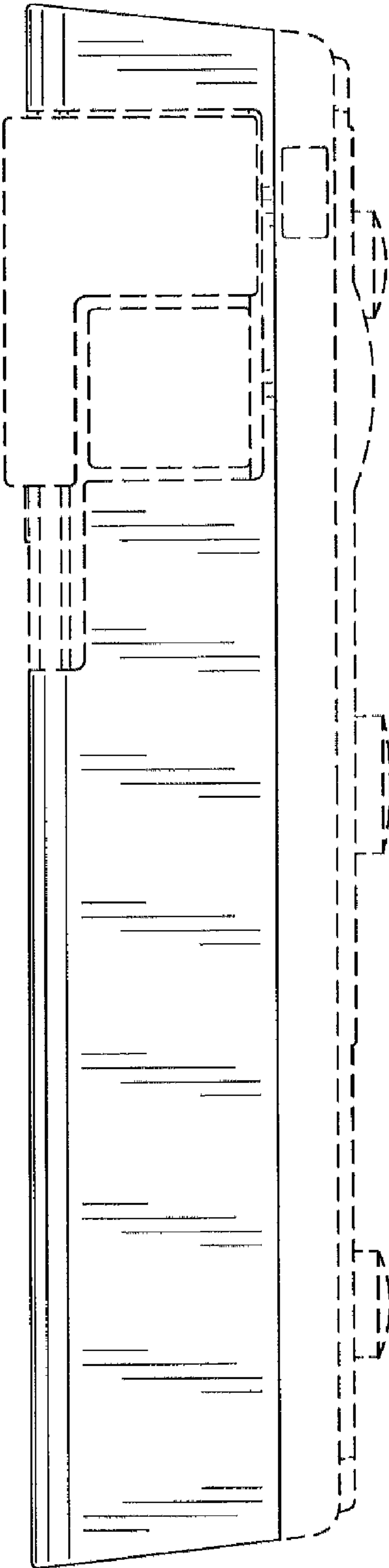


FIG. 2

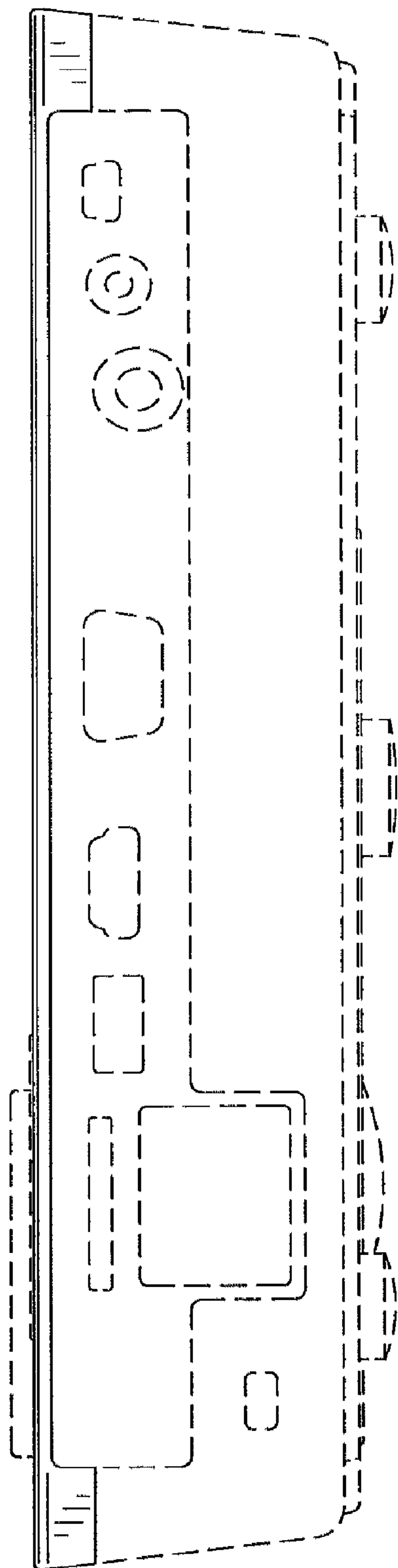


FIG. 3

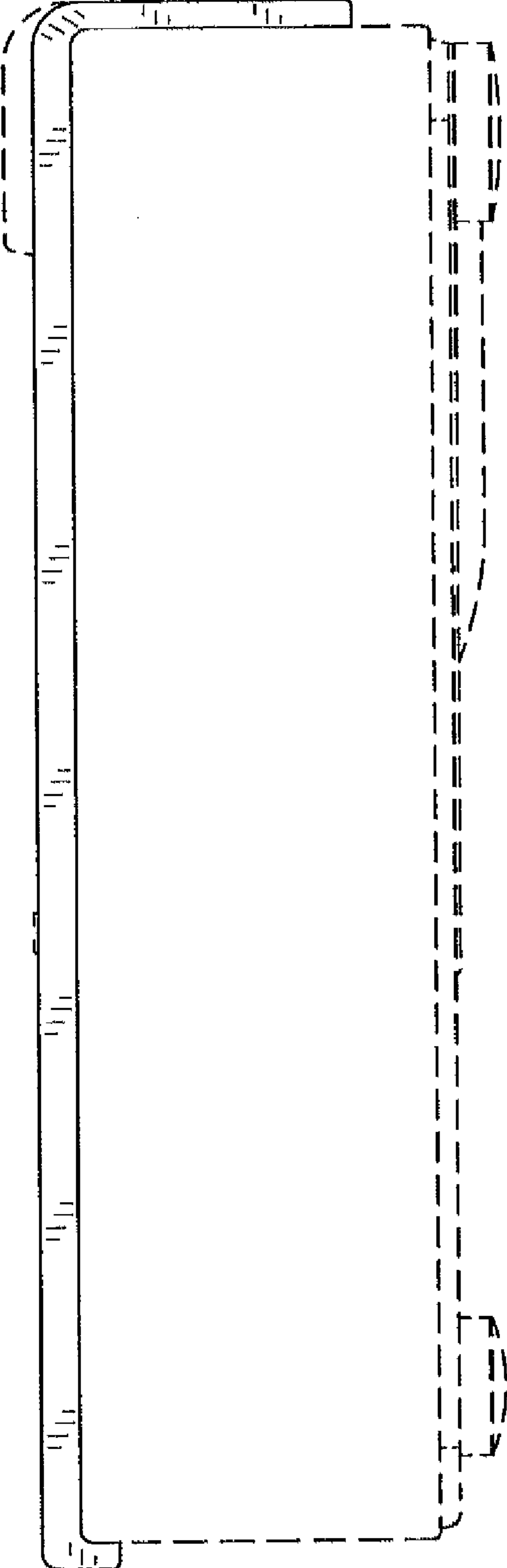


FIG. 4

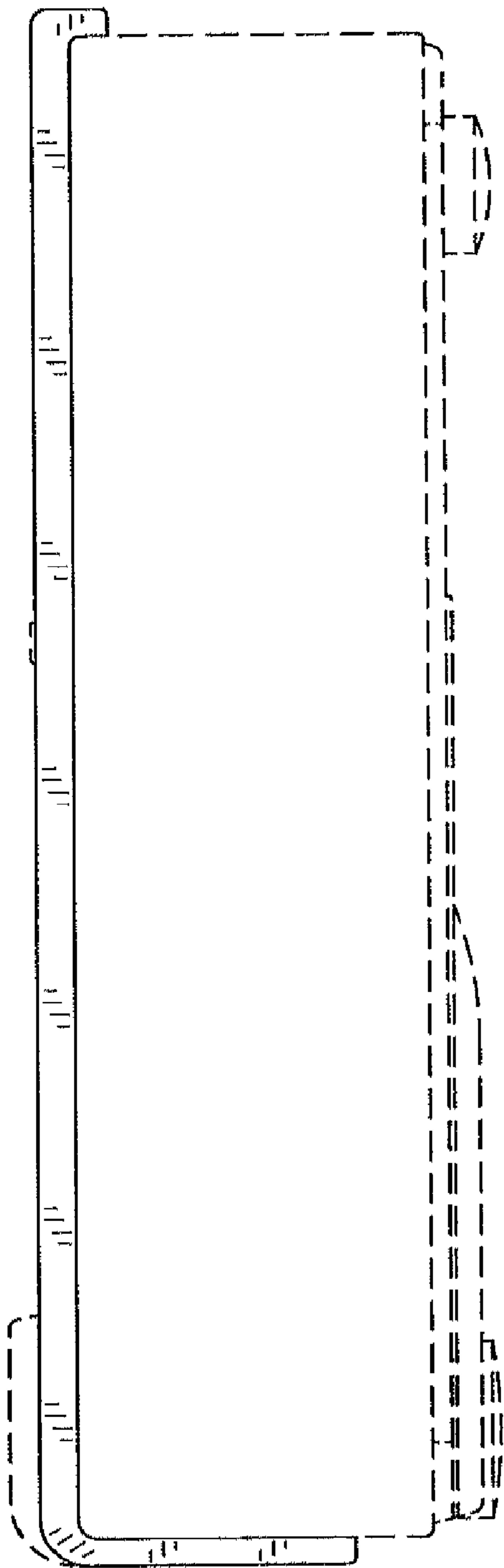


FIG. 5

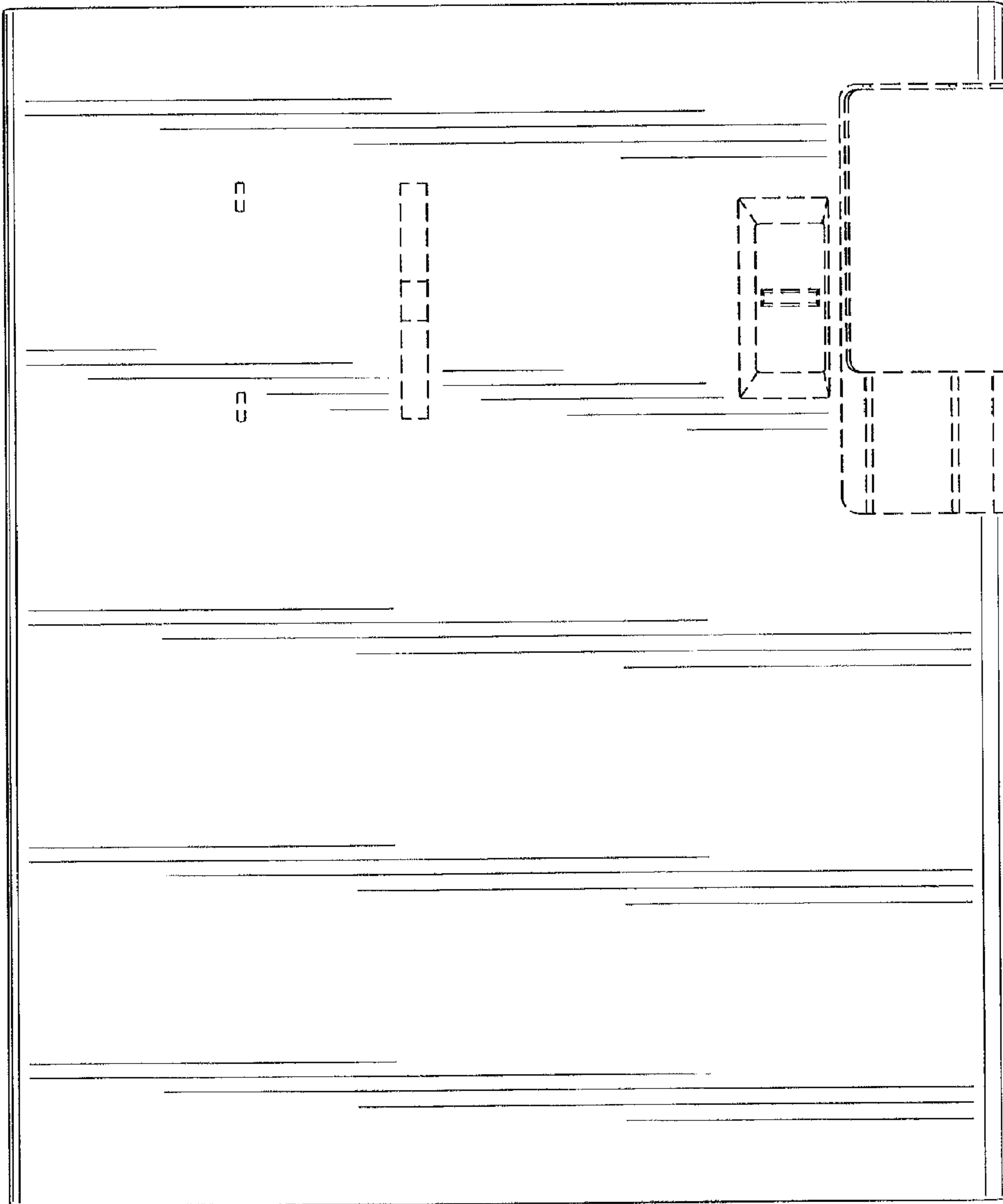


FIG. 6

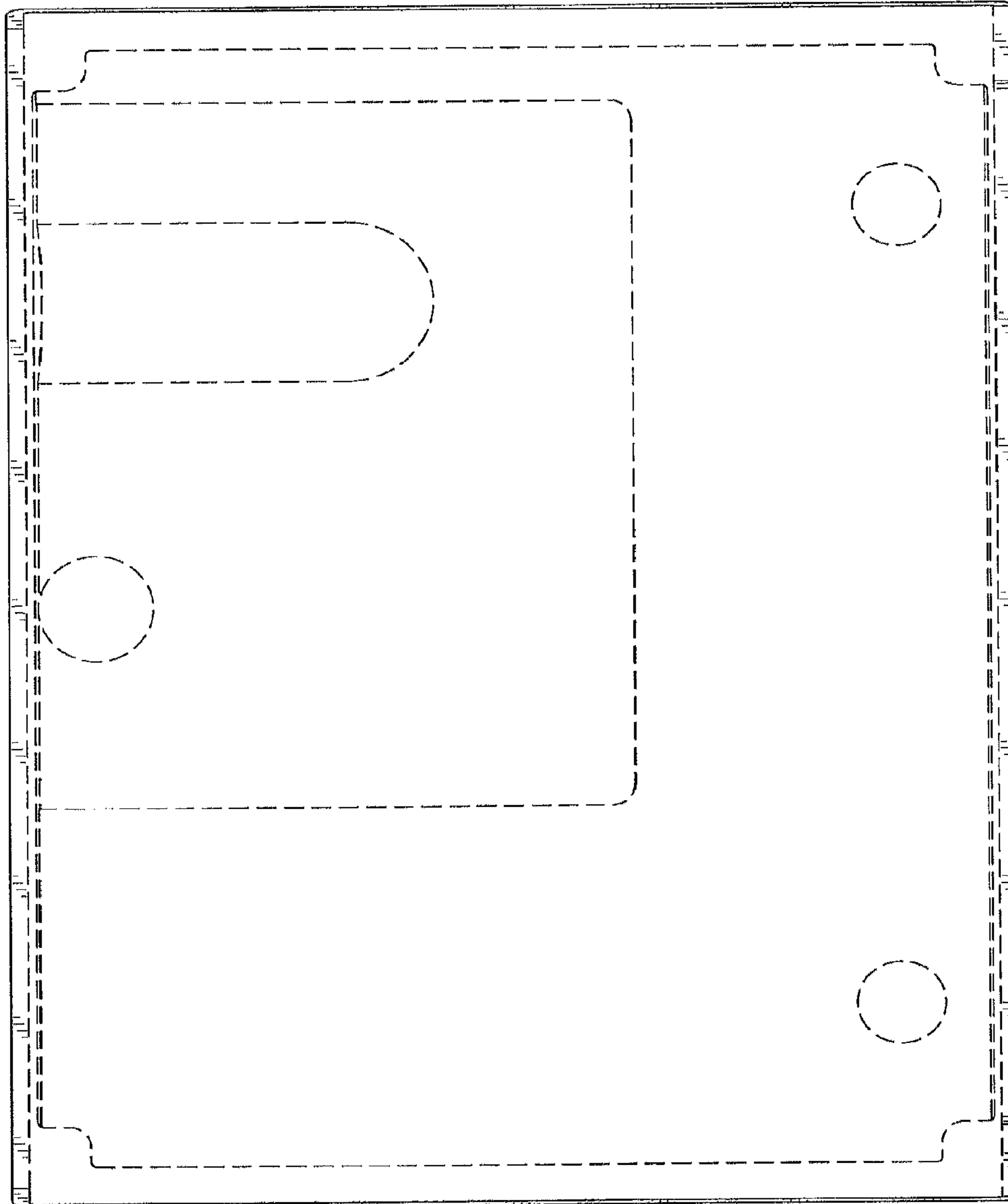


FIG. 7

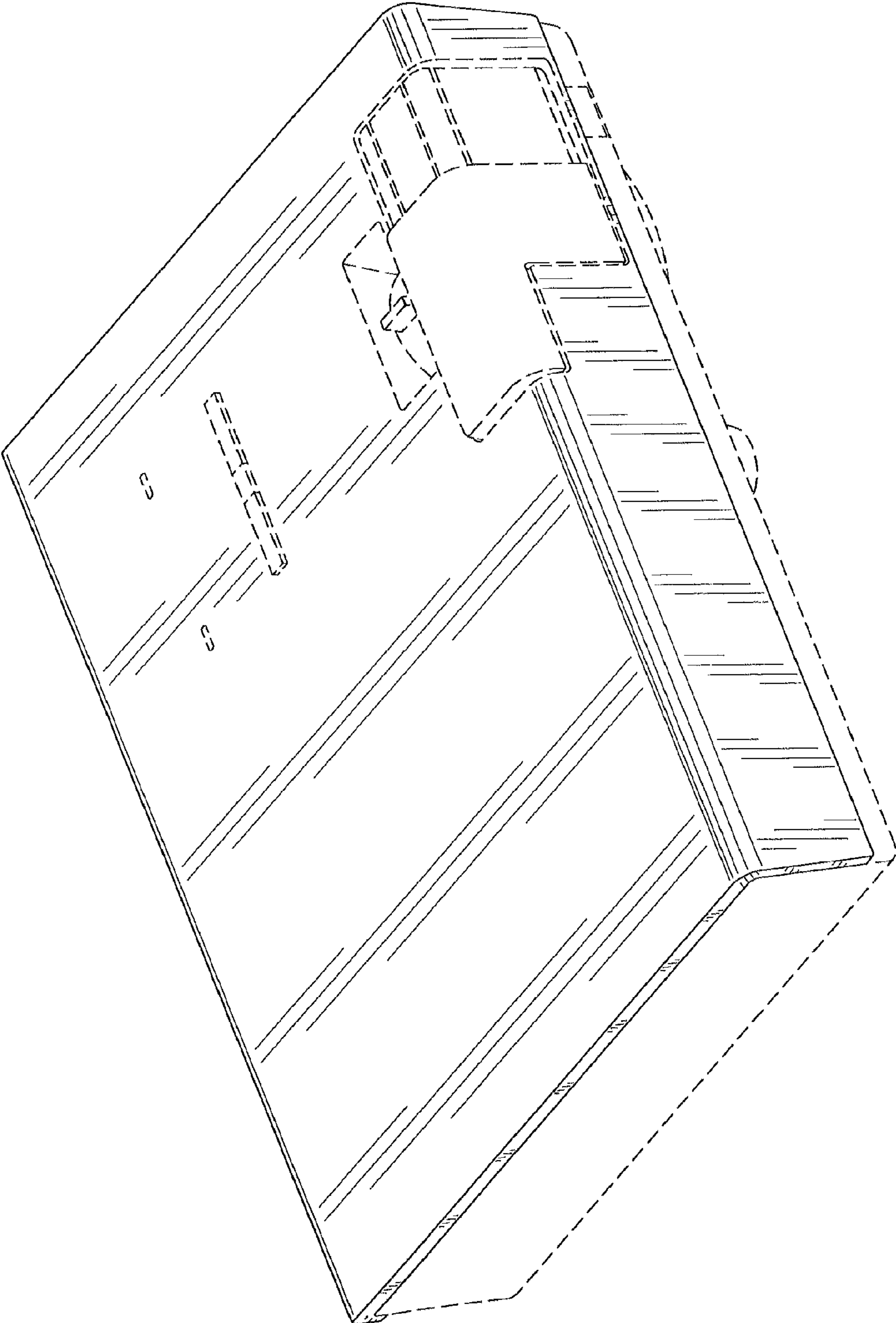


FIG. 8