



US00D677301S

(12) **United States Design Patent**
Nojima et al.

(10) **Patent No.:** **US D677,301 S**
(45) **Date of Patent:** **** Mar. 5, 2013**

(54) **DIGITAL CAMERA**

FOREIGN PATENT DOCUMENTS

(75) Inventors: **Akira Nojima**, Tokyo (JP); **Ken Moro**, Tokyo (JP); **Yasuki Nagaoka**, Saitama (JP); **Arata Ono**, Odawara (JP); **Masanobu Iwabuchi**, Yokohama (JP); **Shoko Ryuen**, Tokyo (JP); **Sumito Watanabe**, Tokyo (JP); **Yutaka Nikaido**, Kamakura (JP); **Yasuhide Yokoi**, Shinagawa-ku (JP); **Giorgetto Giugiaro**, Moncalieri Turin (IT)

JP	1193823	11/2003
JP	1194163	11/2003
JP	1194164	11/2003
JP	1194165	11/2003
JP	1194166	11/2003
JP	1194167	11/2003
JP	1194168	11/2003
JP	1194169	11/2003
JP	1194170	11/2003
JP	1194171	11/2003
JP	1194172	11/2003
JP	1194173	11/2003
JP	1194174	11/2003
JP	1194175	11/2003

(73) Assignee: **Nikon Corporation**, Tokyo (JP)

* cited by examiner

(**) Term: **14 Years**

Primary Examiner — Adir Aronovich

(74) *Attorney, Agent, or Firm* — Wolf, Greenfield & Sacks, P.C.; Randy J. Pritzker

(21) Appl. No.: **29/403,189**

(57) **CLAIM**

(22) Filed: **Oct. 3, 2011**

The ornamental design for a digital camera, as shown and described.

(30) **Foreign Application Priority Data**

DESCRIPTION

Apr. 4, 2011 (JP) 2011-007786
Apr. 4, 2011 (JP) 2011-007788

(51) **LOC (9) Cl.** **16-05**
(52) **U.S. Cl.** **D16/219**
(58) **Field of Classification Search** D16/200,
D16/202, 203, 204, 208, 206, 217–219;
348/373–376; 396/354, 535–541
See application file for complete search history.

FIG. 1 is a front perspective view of a first embodiment of a digital camera showing our new design;
FIG. 2 is a front elevational view thereof;
FIG. 3 is a top plan view thereof;
FIG. 4 is a bottom plan view thereof;
FIG. 5 is a right side elevational view thereof;
FIG. 6 is a left side elevational view thereof;
FIG. 7 is a front perspective view of a second embodiment of a digital camera showing our new design;
FIG. 8 is a front elevational view thereof;
FIG. 9 is a top plan view thereof;
FIG. 10 is a bottom plan view thereof;
FIG. 11 is a right side elevational view thereof; and,
FIG. 12 is a left side elevational view thereof.
The features shown in broken lines in the drawings depict environmental subject matter only and form no part of the claimed design. The dot-dashed lines denote the boundary of the claim, and form no part of the claimed design.

(56) **References Cited**

U.S. PATENT DOCUMENTS

D429,748 S *	8/2000	Hatakeyama	D16/219
D446,235 S *	8/2001	Morishita et al.	D16/217
D480,744 S *	10/2003	Matsumura et al.	D16/219
D491,593 S *	6/2004	Haga	D16/202
7,182,529 B2 *	2/2007	Kurosawa	396/535
D560,239 S *	1/2008	Kim et al.	D16/202
D561,806 S *	2/2008	Funakoshi et al.	D16/217
D592,232 S *	5/2009	Matsuda	D16/219
D595,755 S *	7/2009	Funakoshi	D16/202

1 Claim, 12 Drawing Sheets

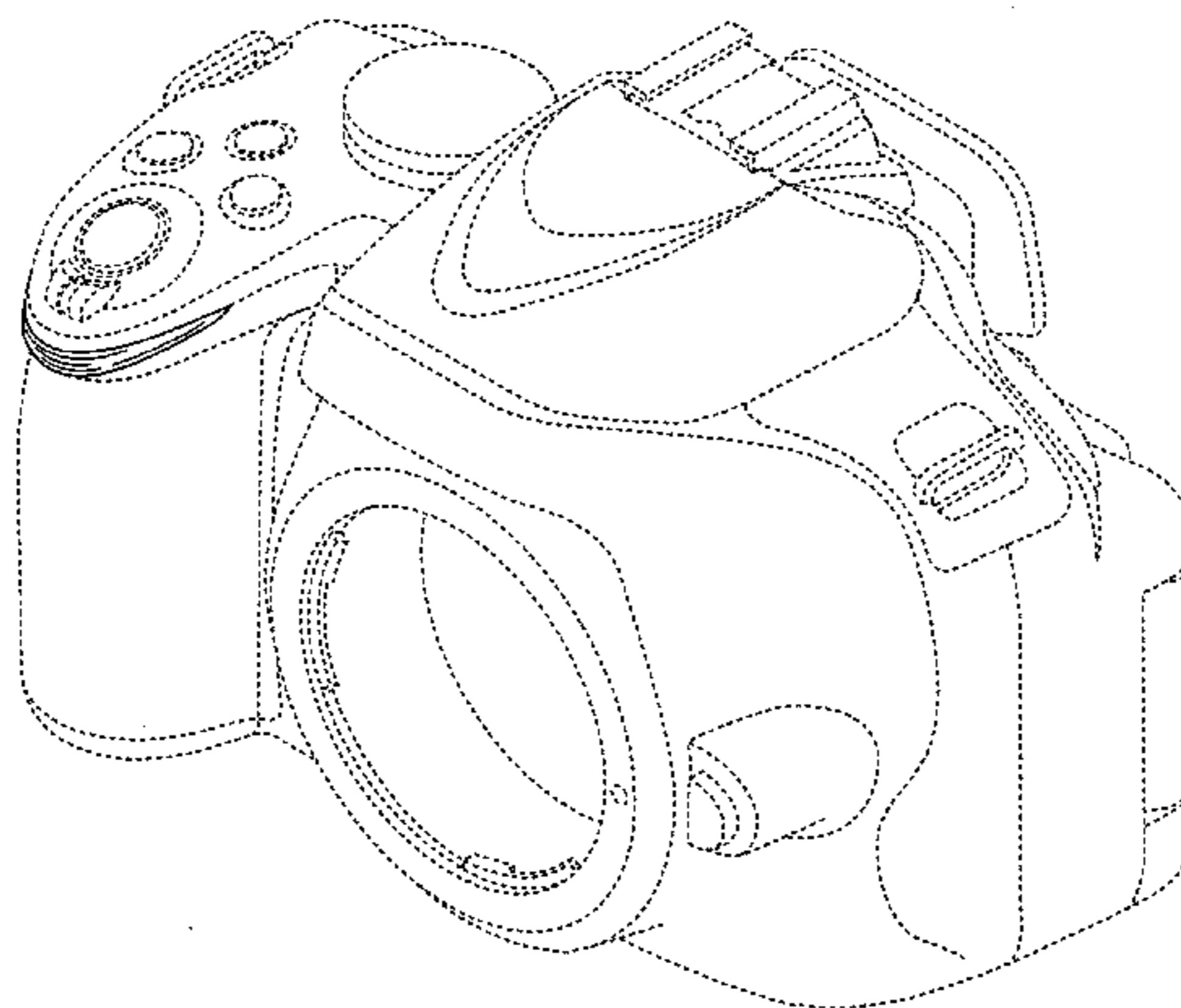


FIG. 1

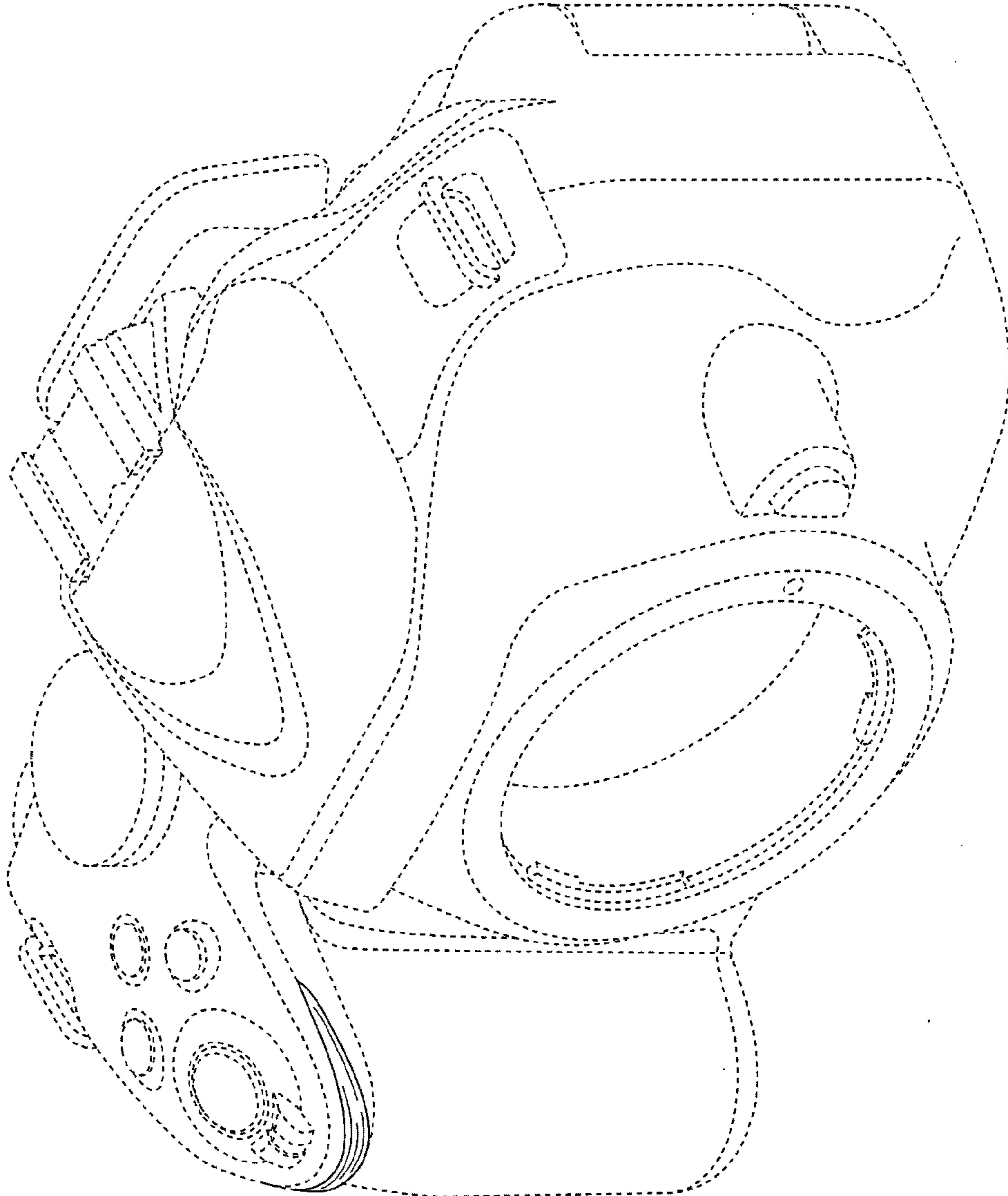


FIG. 2

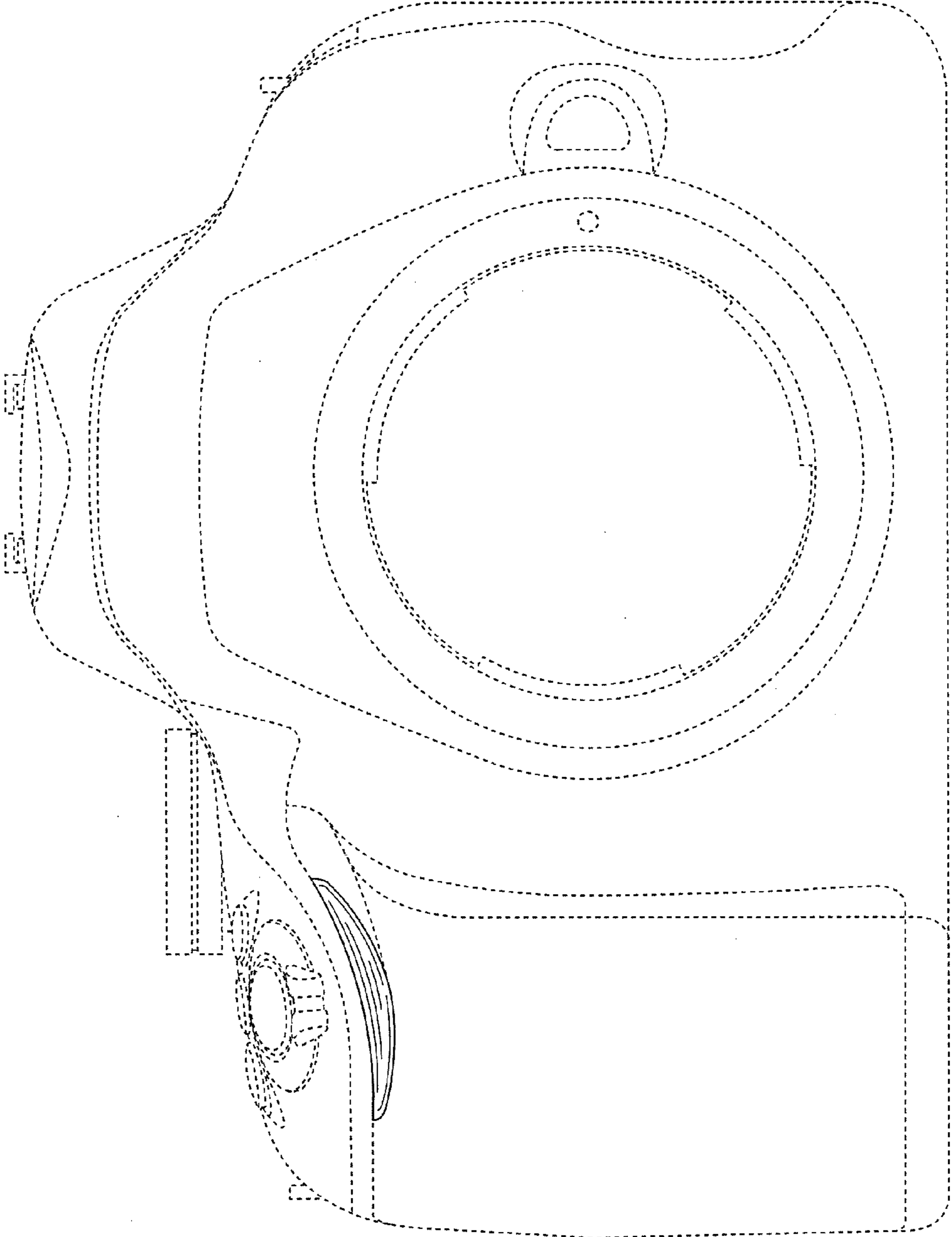


FIG. 3

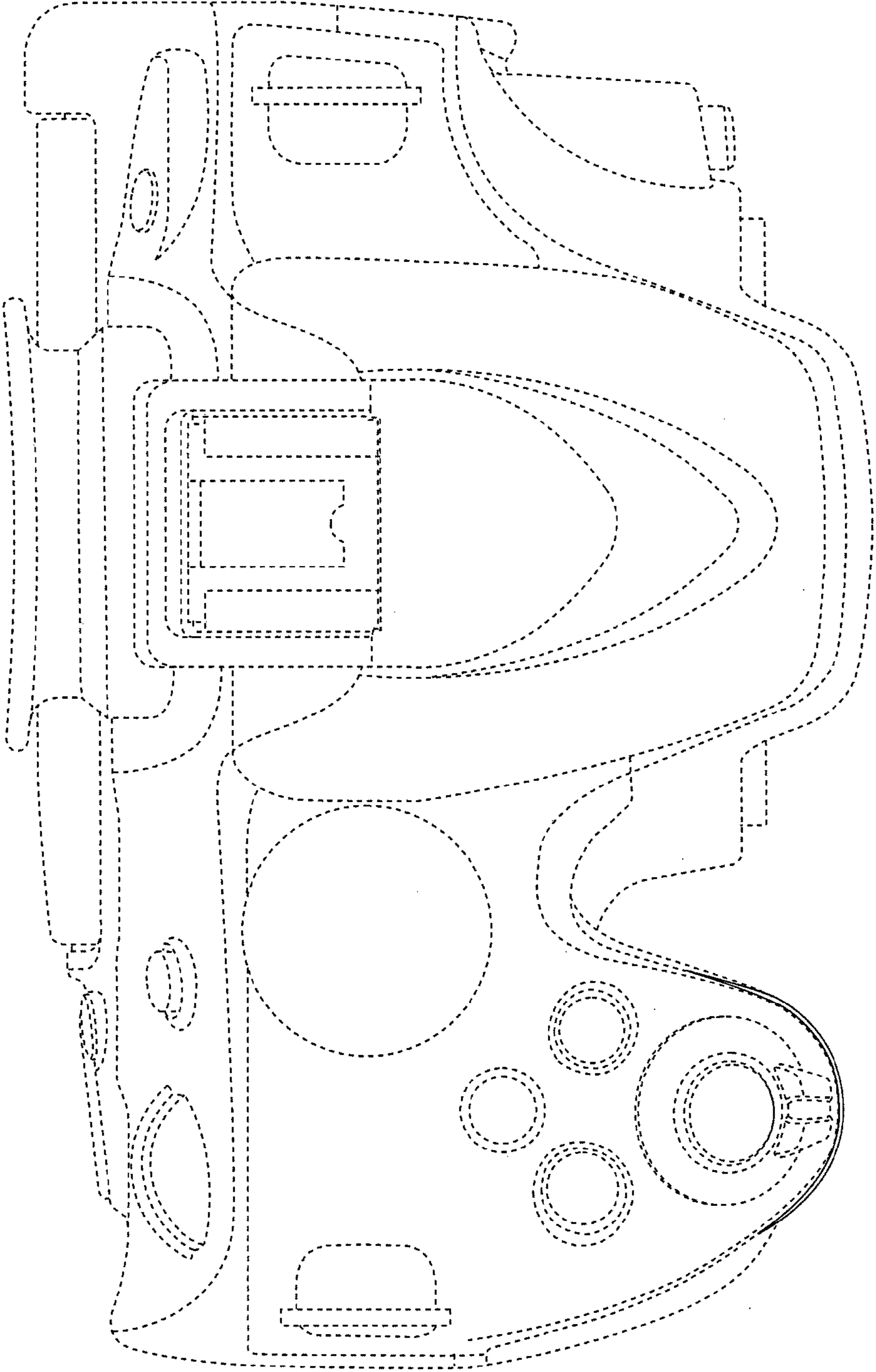


FIG. 4

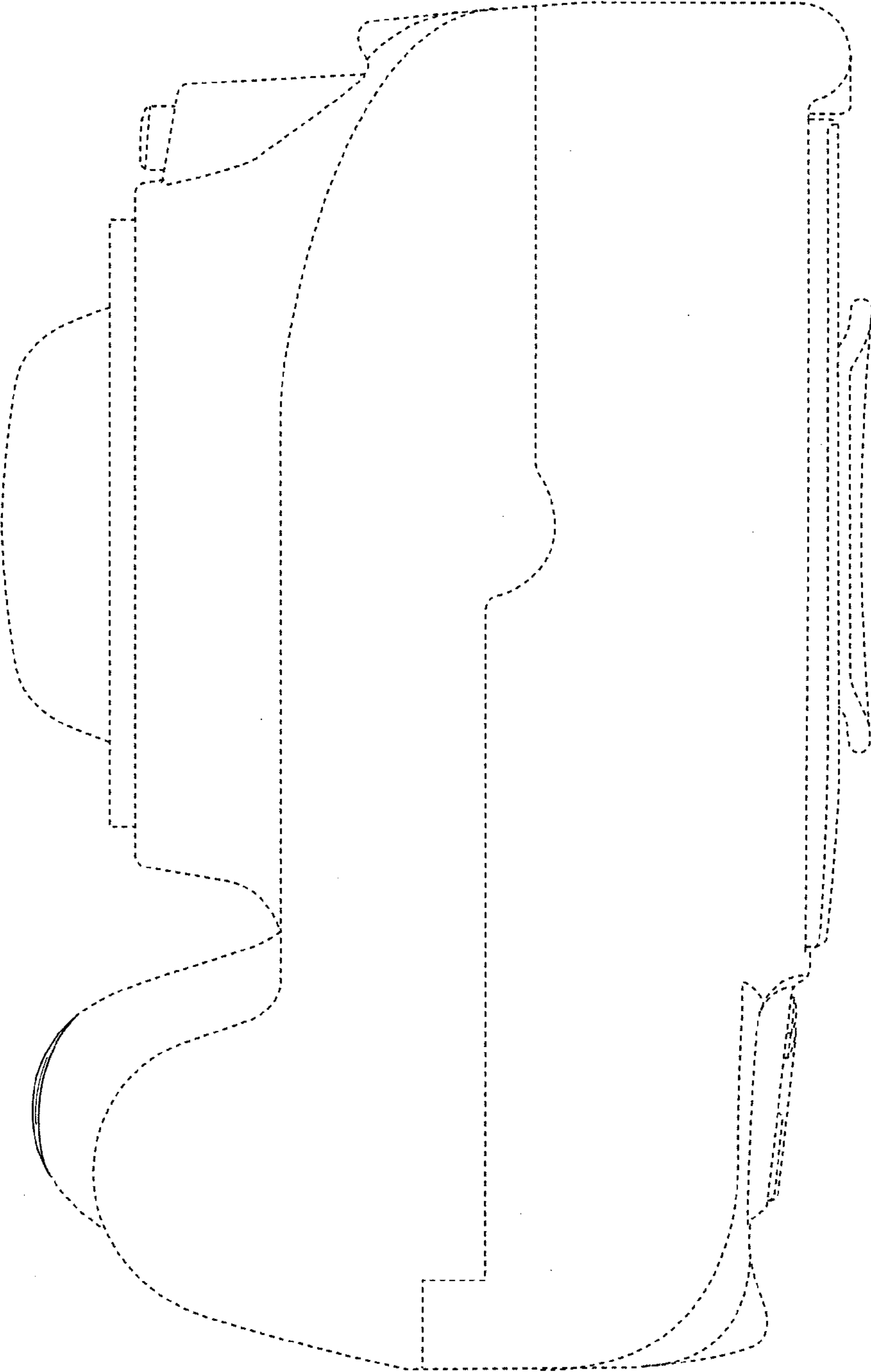


FIG. 5

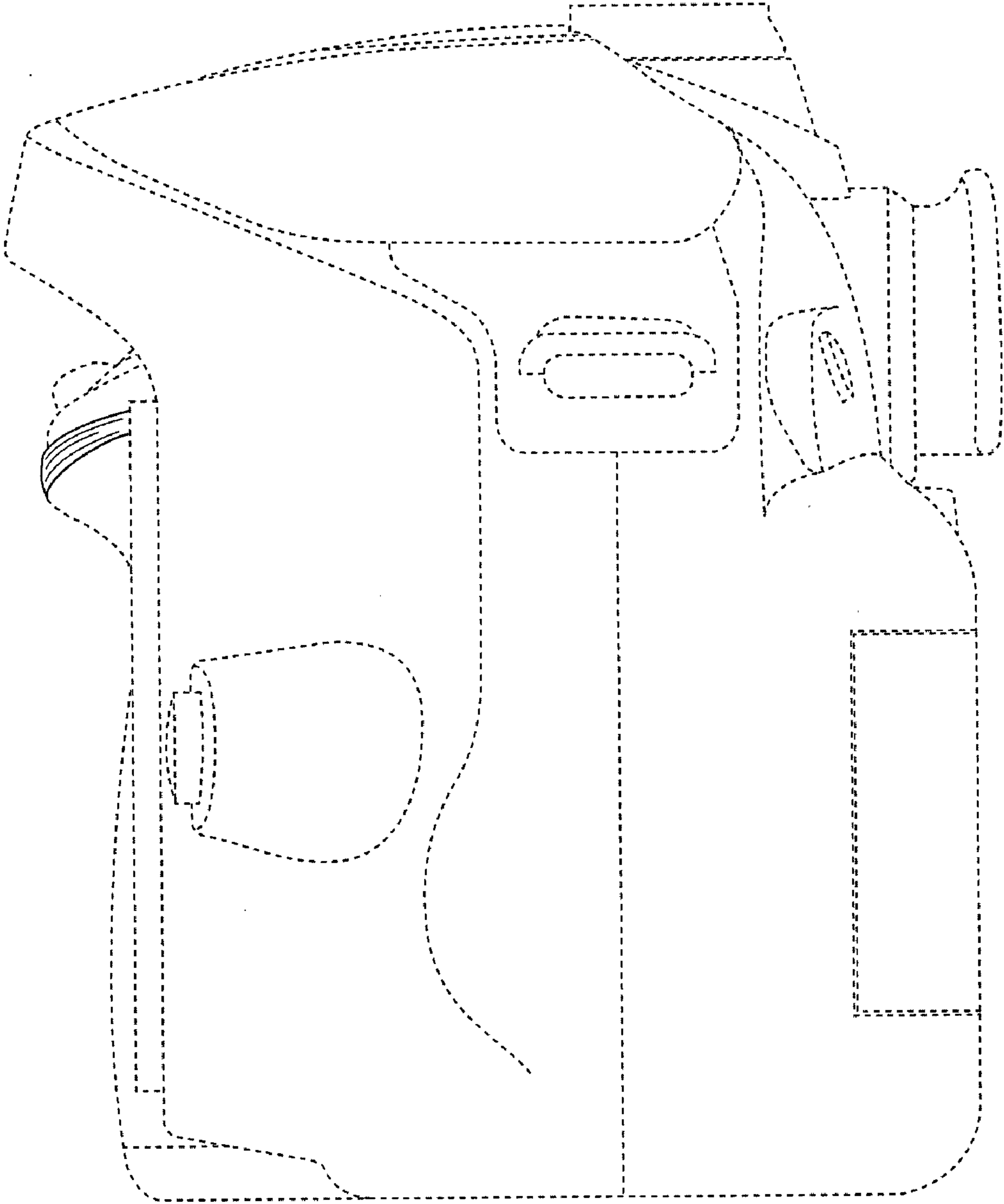


FIG. 6

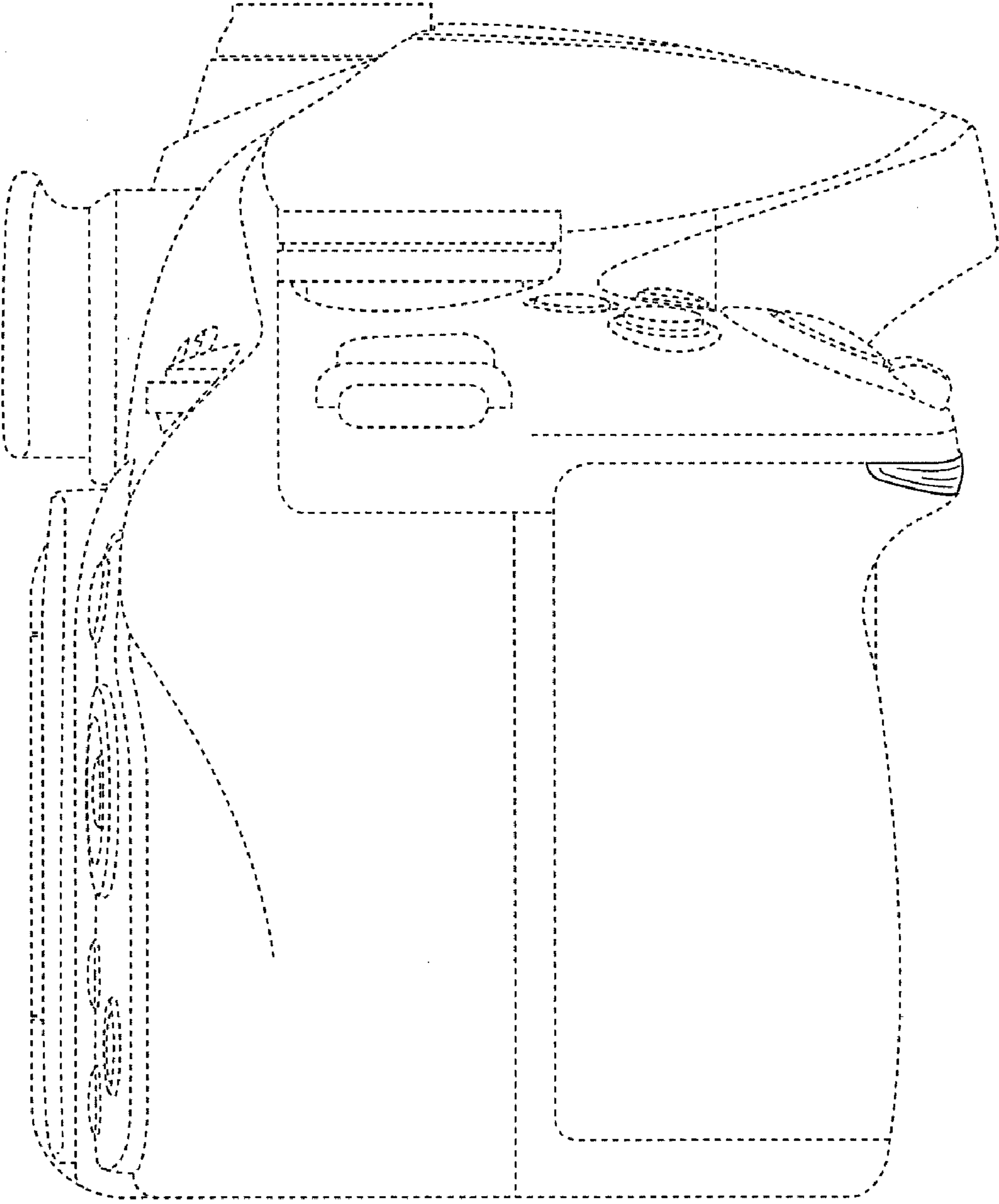


FIG. 7

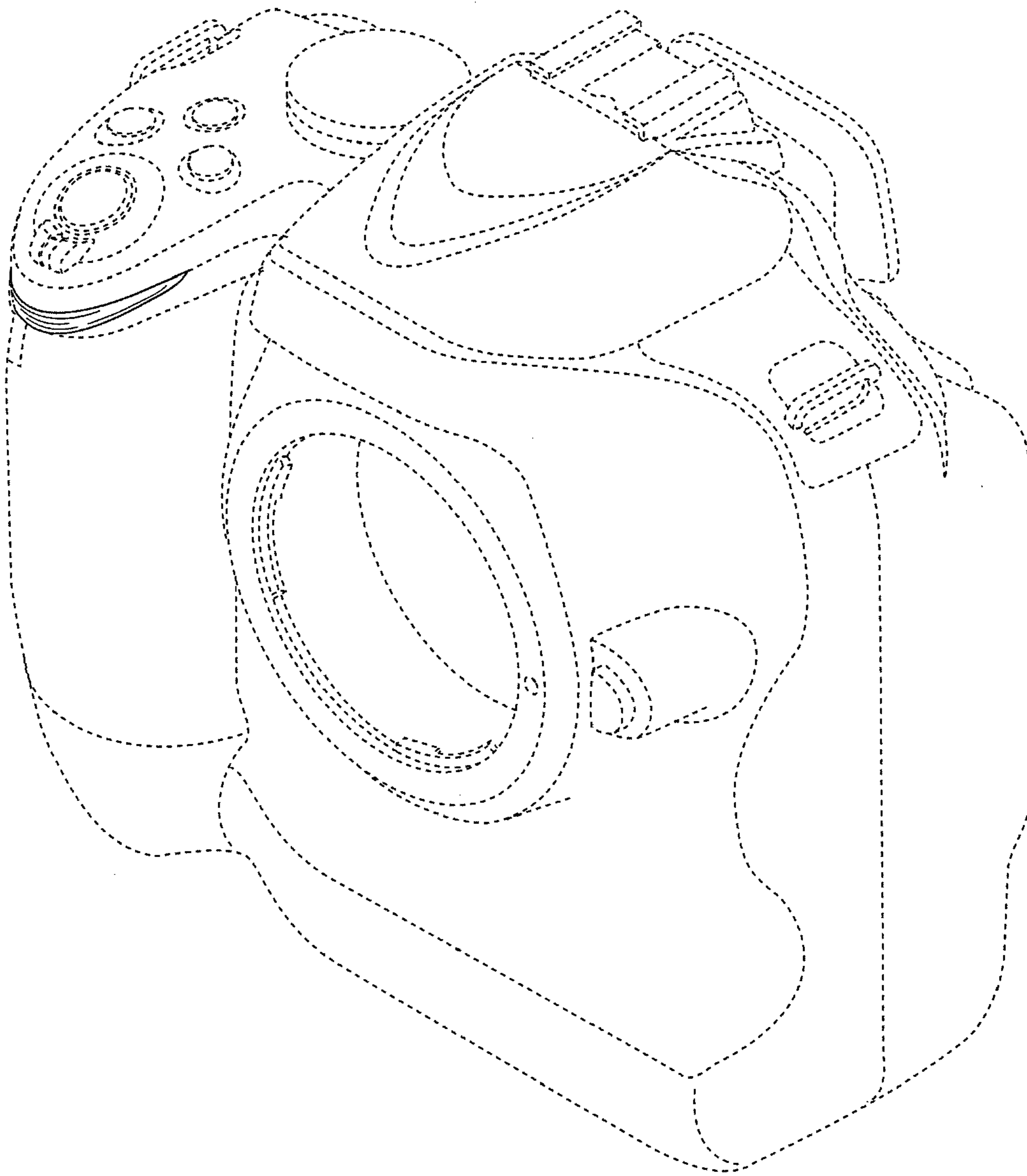


FIG. 8

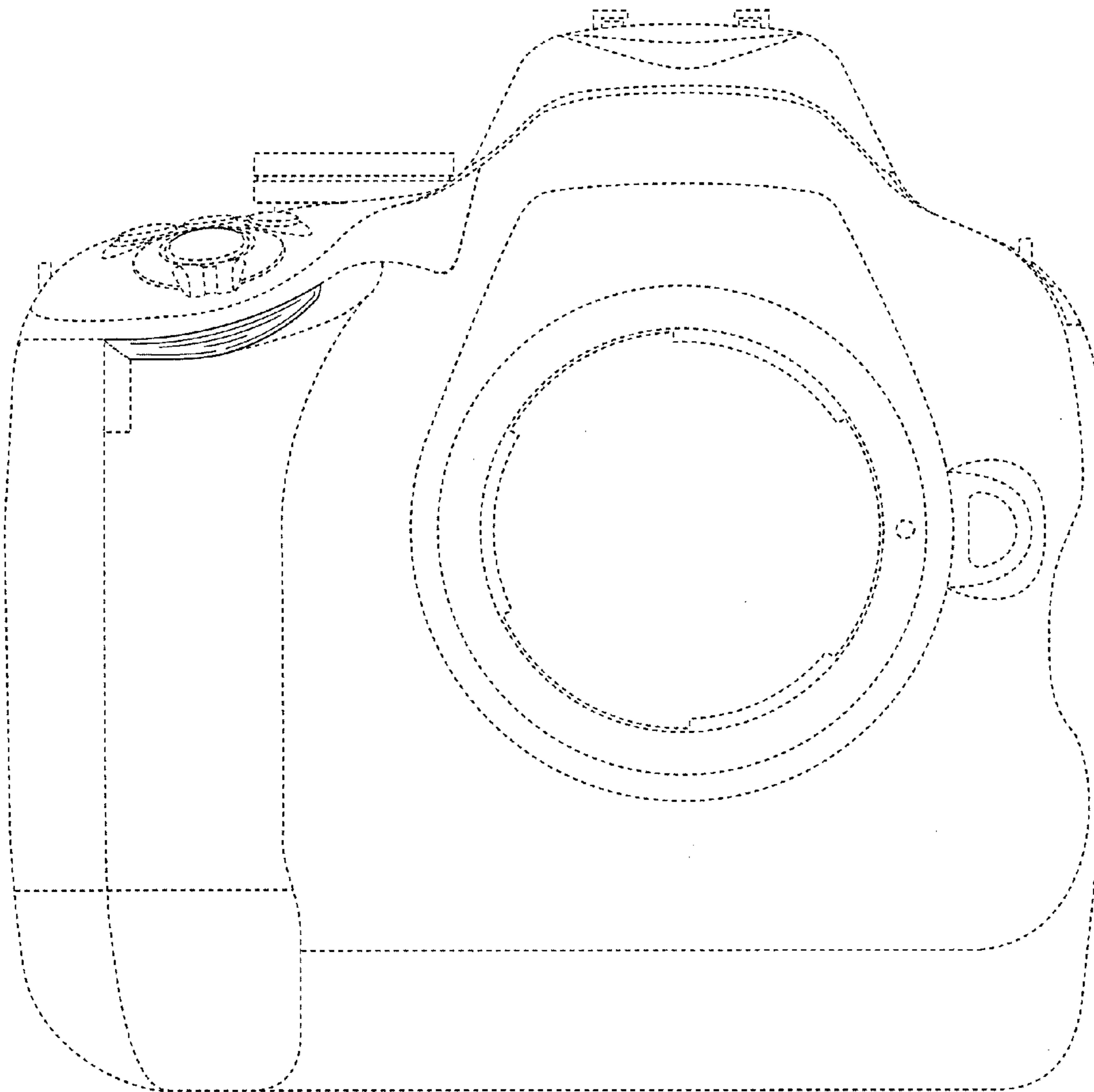


FIG. 9

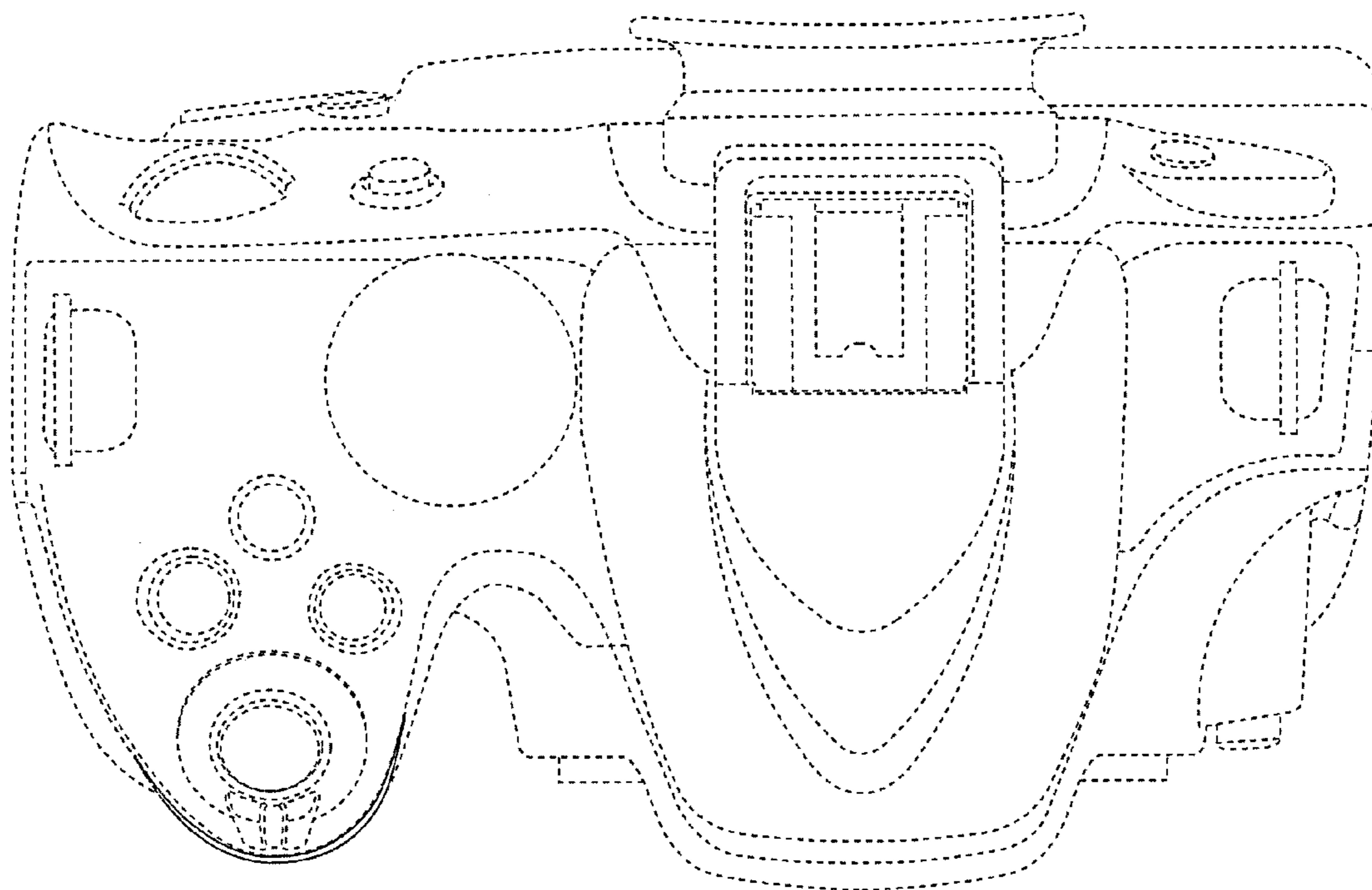


FIG. 10

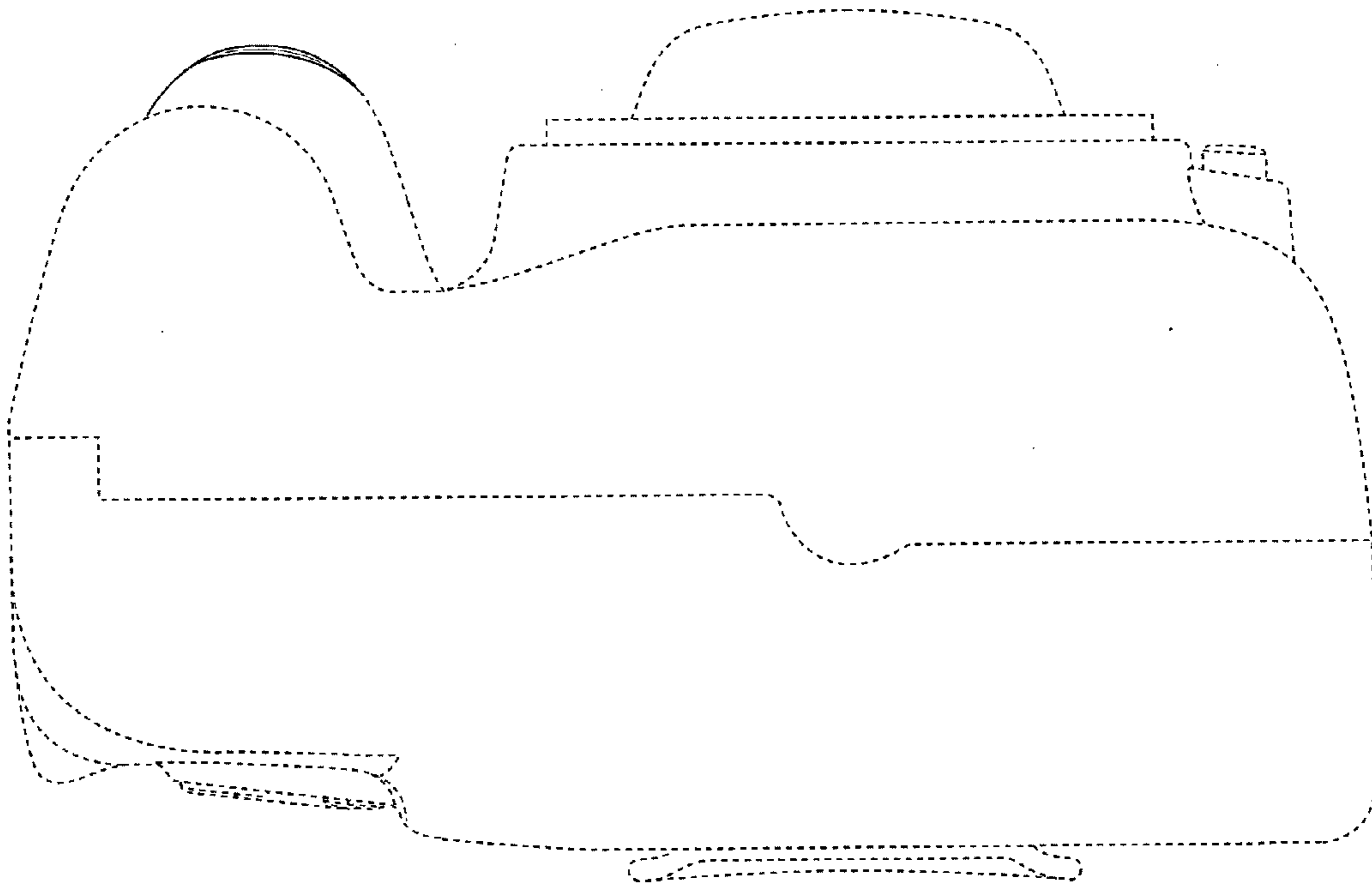


FIG. 11

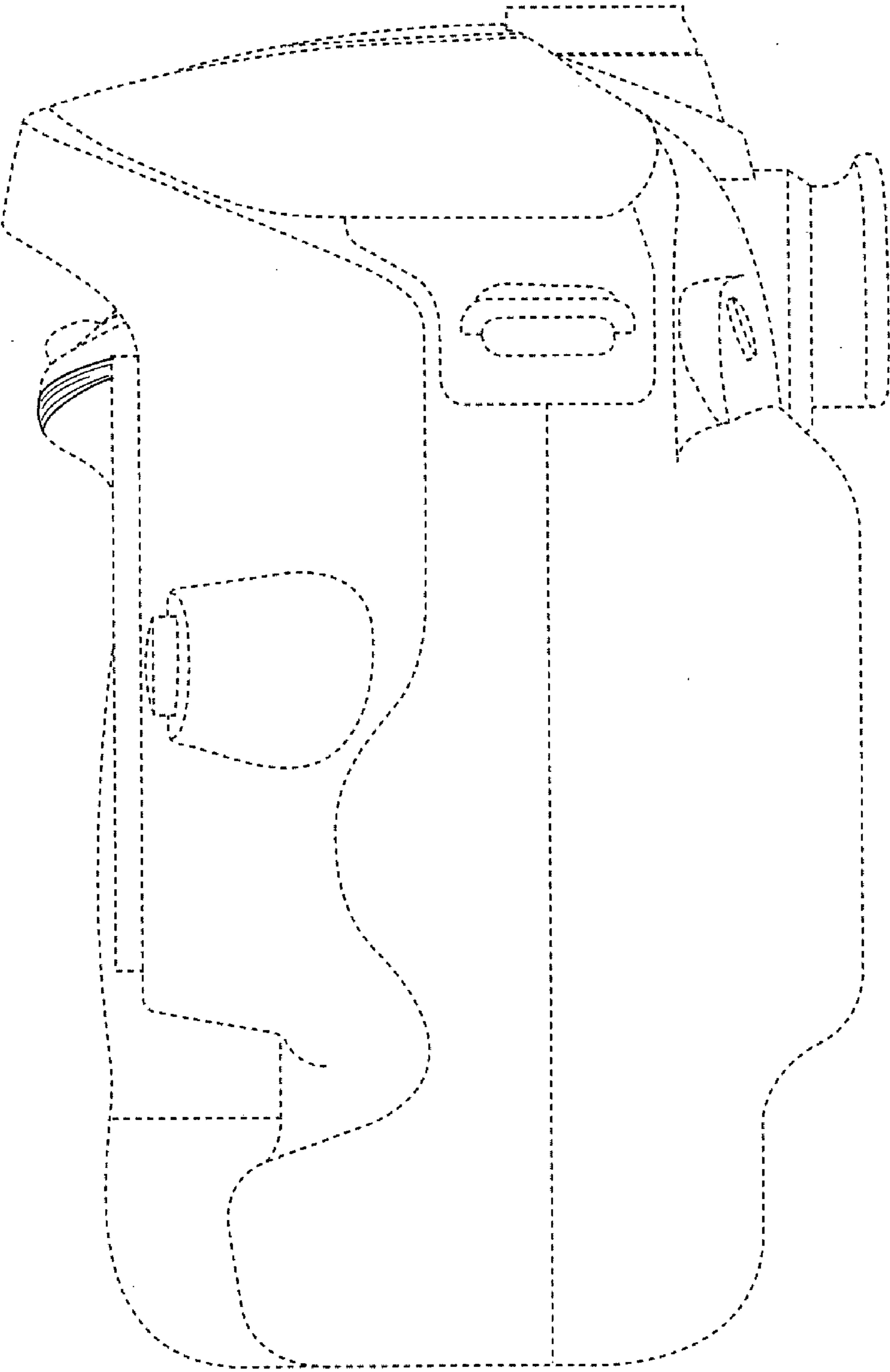


FIG. 12

