



US00D677300S

(12) **United States Design Patent**
Yokoi et al.

(10) **Patent No.:** **US D677,300 S**
(45) **Date of Patent:** **** Mar. 5, 2013**

(54) **DIGITAL CAMERA**
(75) Inventors: **Yasuhide Yokoi**, Tokyo (JP); **Yutaka Nikaido**, Kamakura (JP)
(73) Assignee: **Nikon Corporation**, Tokyo (JP)
(**) Term: **14 Years**
(21) Appl. No.: **29/401,588**
(22) Filed: **Sep. 13, 2011**
(30) **Foreign Application Priority Data**

Mar. 15, 2011 (JP) 2011-005913
(51) **LOC (9) Cl.** **16-05**
(52) **U.S. Cl.** **D16/219**
(58) **Field of Classification Search** D16/134,
D16/200, 202, 204, 208, 217, 218, 219;
348/373-376; 396/529, 531, 535-541
See application file for complete search history.

(56) **References Cited**

U.S. PATENT DOCUMENTS

D388,109 S * 12/1997 Kimura et al. D16/217
6,545,825 B2 * 4/2003 Shoji et al. 359/819
7,085,485 B2 8/2006 Sugita et al.
7,118,295 B2 10/2006 Koyama et al.
7,182,529 B2 * 2/2007 Kurosawa 396/535
D581,440 S * 11/2008 Nakamura D16/202
D600,265 S * 9/2009 Miyashita D16/219
7,868,942 B2 * 1/2011 Urakami 348/373
8,144,244 B2 * 3/2012 Tomatsu et al. 348/375
2005/0030410 A1 2/2005 Tsukatani et al.

FOREIGN PATENT DOCUMENTS

JP 0464761 8/1980
JP 0499652 1/1982

JP 10-003116 A 1/1998
JP 2005-070712 A 3/2005
JP 2010-039296 A 2/2010

OTHER PUBLICATIONS

Japanese Patent Office Publicly Known Material No. HA05020207 Magazine, "Asahi Camera" p. A-7, Accepted by the National Center for Industrial Property Information on Oct. 25, 1993.

* cited by examiner

Primary Examiner — Adir Aronovich

(74) *Attorney, Agent, or Firm* — Wolf, Greenfield & Sacks, P.C.; Randy J. Pritzker

(57) **CLAIM**

The ornamental design for a digital camera, as shown and described.

DESCRIPTION

FIG. 1 is a perspective view of a digital camera showing our new design;

FIG. 2 is a front view thereof;

FIG. 3 is a top plan view thereof;

FIG. 4 is a bottom plan view thereof;

FIG. 5 is a right side elevational view thereof;

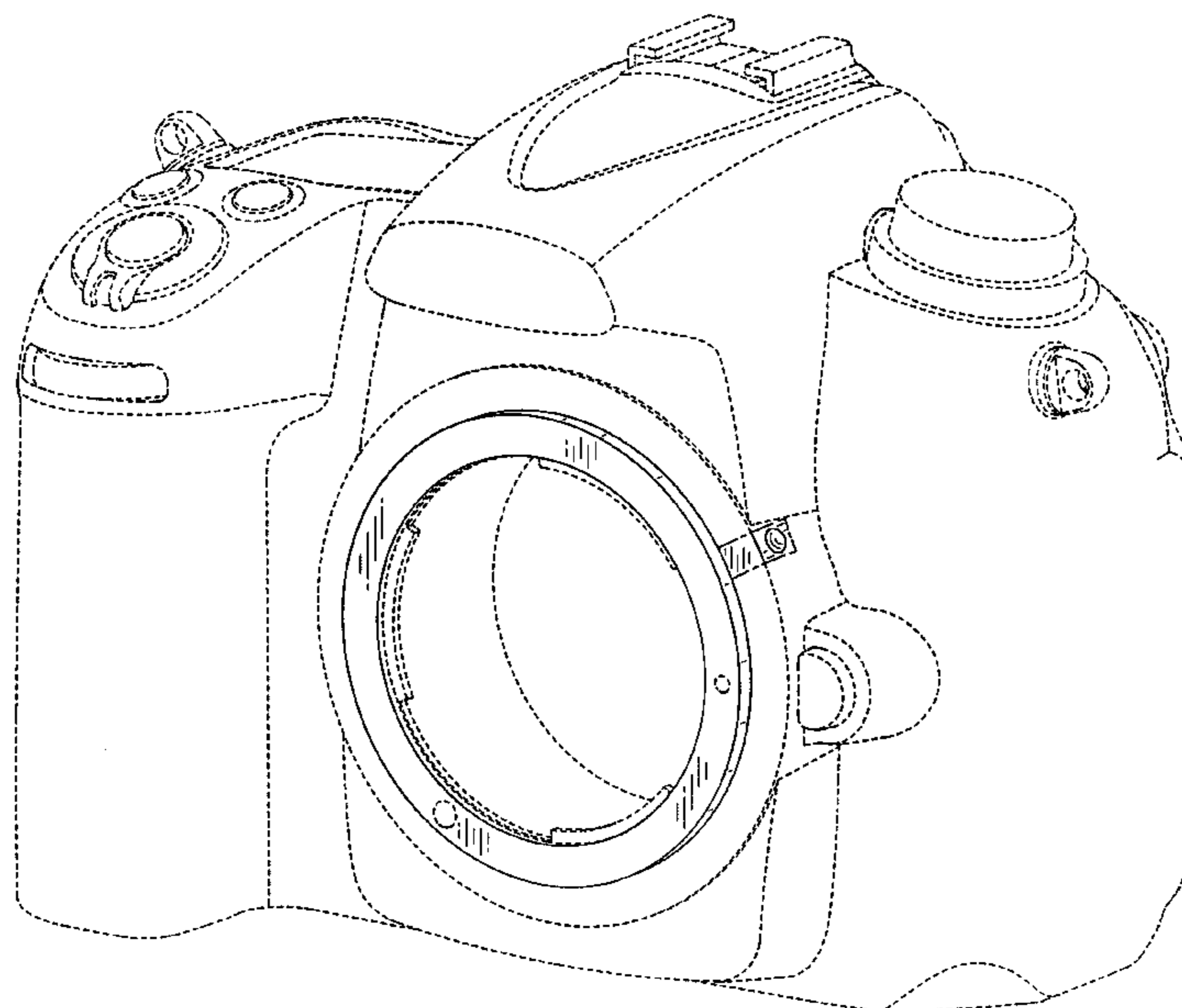
FIG. 6 is an enlarged view of the portion defined by crop lines 6-6 in FIG. 5; and,

FIG. 7 is a cross-sectional view of a part taken along line 7-7 in FIG. 6 with the internal structure omitted.

The features shown in broken lines in the drawings depict environmental subject matter only and form no part of the claimed design.

The dot-dashed lines denote the boundary of the claim and form no part of the claimed design.

1 Claim, 6 Drawing Sheets



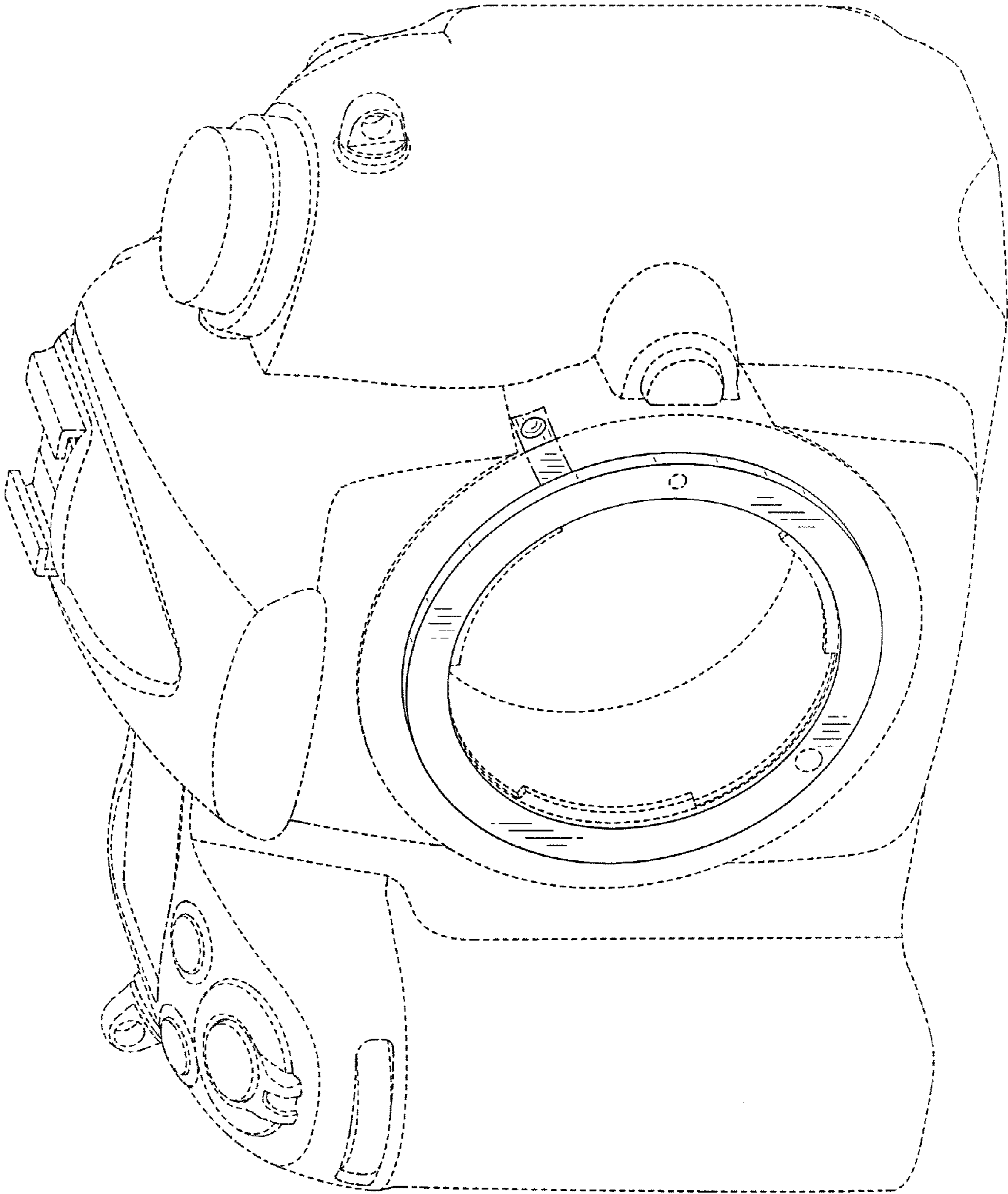


Fig. 1

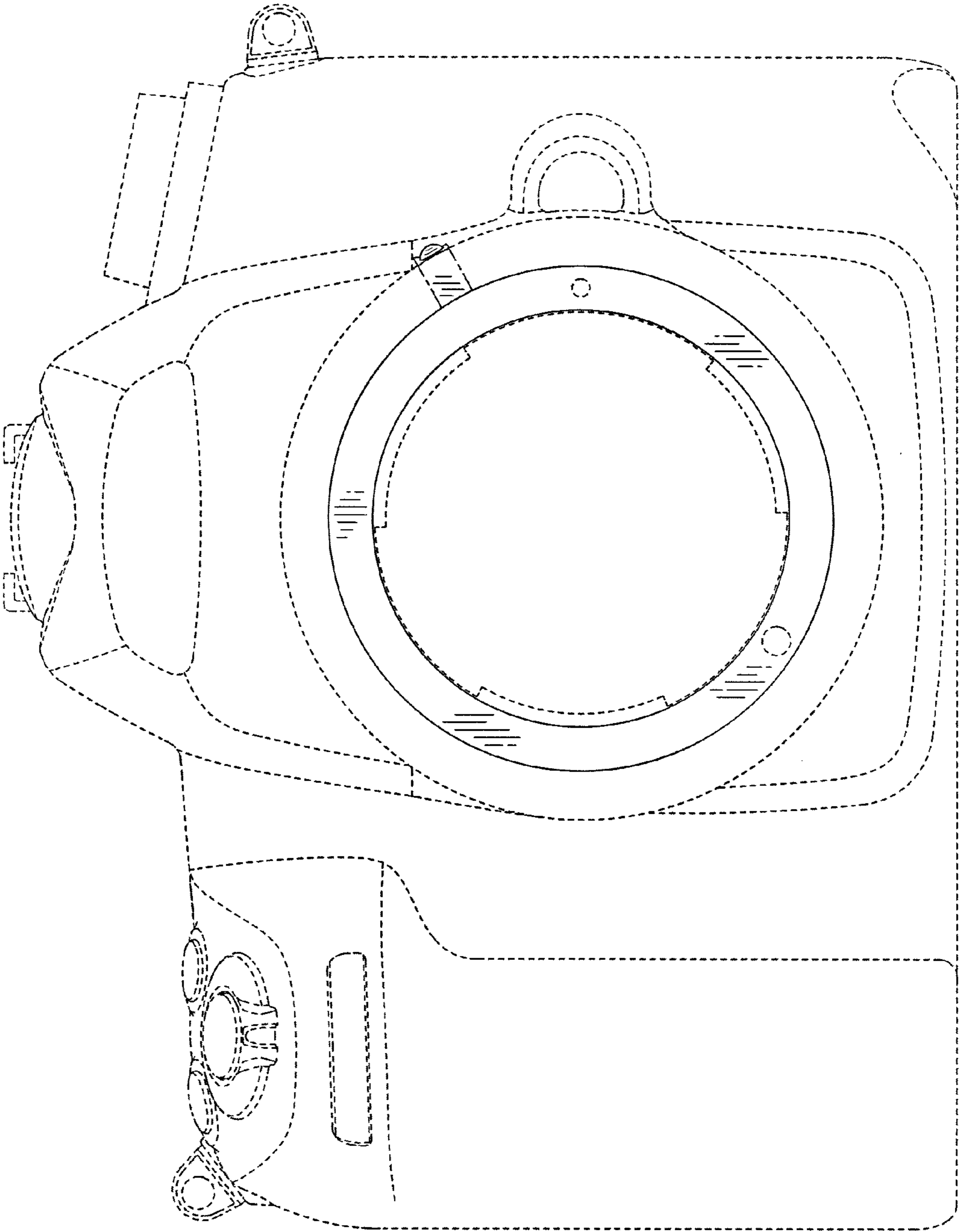


Fig. 2

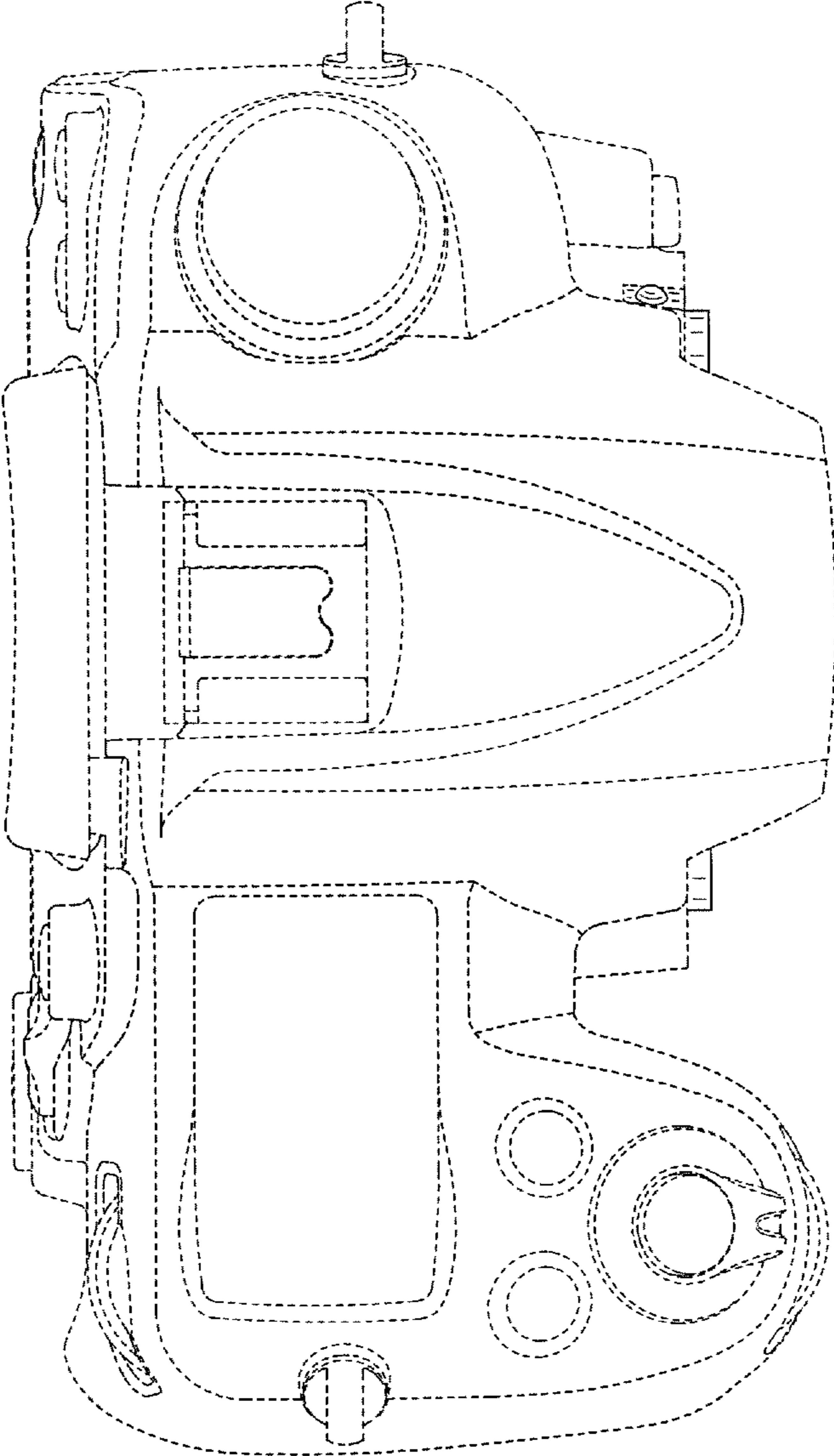


Fig. 3

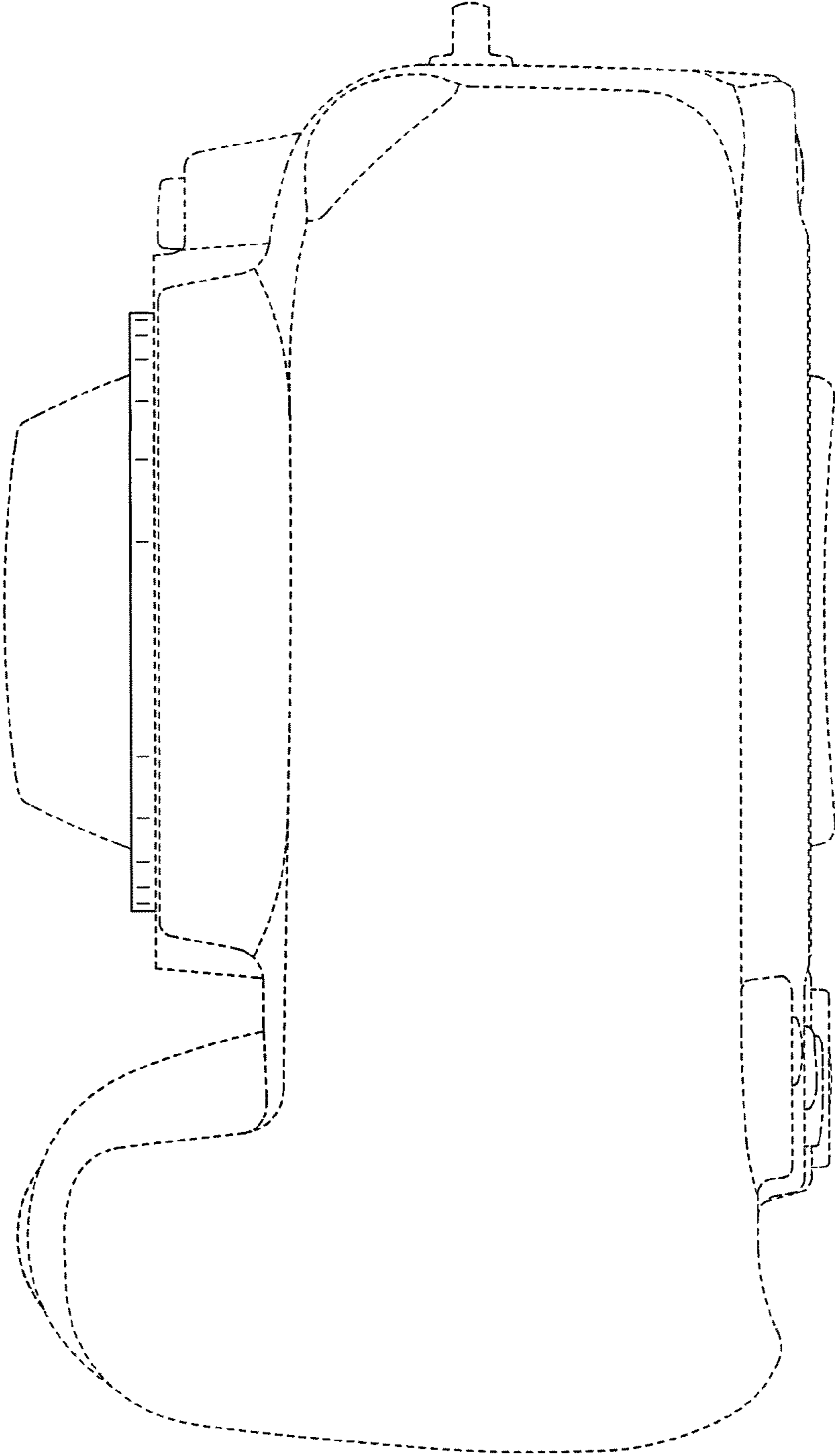


Fig. 4

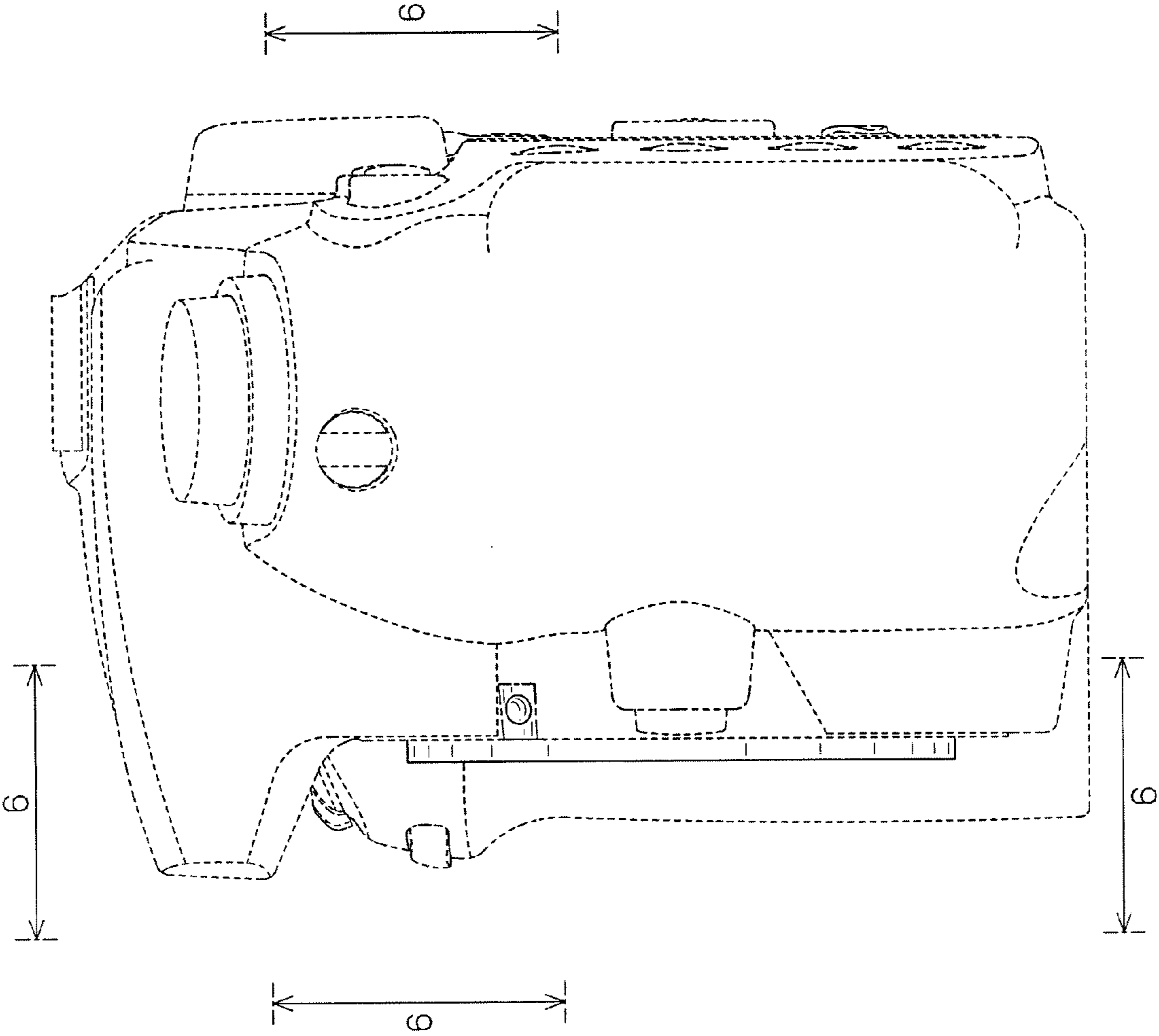


Fig. 5

Fig. 7

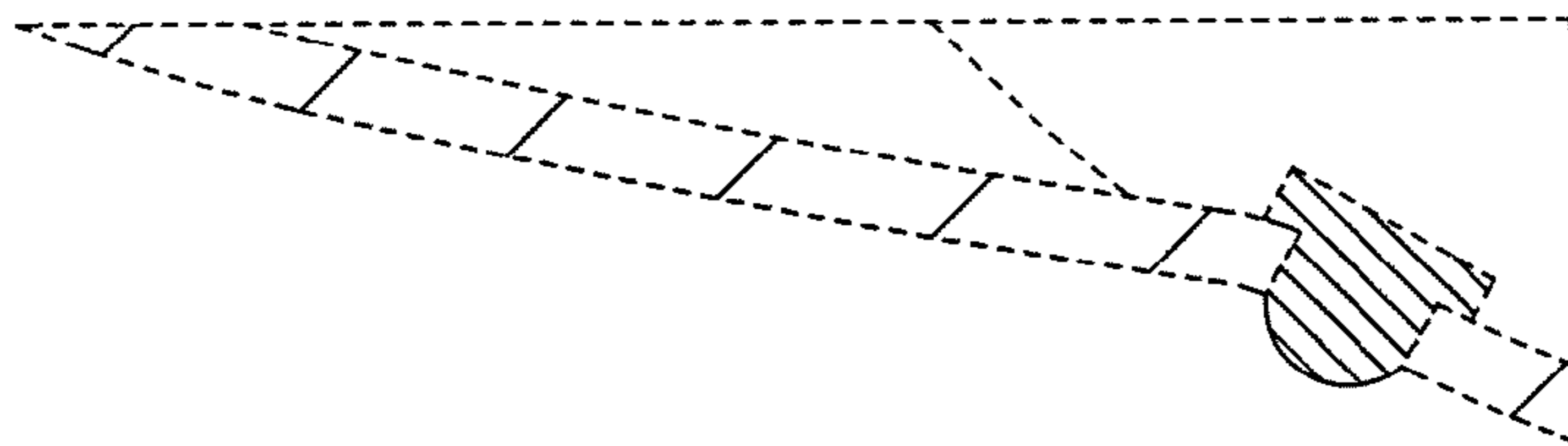


Fig. 6

