



US00D677298S

(12) **United States Design Patent**
Hällgren

(10) **Patent No.:** **US D677,298 S**

(45) **Date of Patent:** **** Mar. 5, 2013**

(54) **CAMERA**

(75) Inventor: **Tomas Hällgren**, Bromma (SE)

(73) Assignee: **FLIR Systems AB**, Taby (SE)

(**) Term: **14 Years**

(21) Appl. No.: **29/407,306**

(22) Filed: **Nov. 28, 2011**

(51) **LOC (9) Cl.** **16-01**

(52) **U.S. Cl.** **D16/206**

(58) **Field of Classification Search** D16/200,
D16/202, 203, 206, 208, 218, 243; 250/330;
348/373, 376; 396/419

See application file for complete search history.

(56) **References Cited**

U.S. PATENT DOCUMENTS

D445,817 S *	7/2001	Okuley	D16/206
D472,911 S *	4/2003	Bielefeld	D16/130
D493,733 S *	8/2004	Chen	D10/57
D540,838 S *	4/2007	Aronsson et al.	D16/206
7,236,243 B2 *	6/2007	Beecroft et al.	356/328
7,250,603 B1 *	7/2007	Nugent	250/330
D658,222 S *	4/2012	Elrod et al.	D16/206
D665,440 S *	8/2012	Sigward	D16/206

OTHER PUBLICATIONS

FLIR Systems, Inc., FLIR i-Series Point-and-Shoot Thermal Imaging Cameras, May 2011, 6 pages, FLIR Systems, Inc., U.S.

FLIR Systems, Inc., FLIR E-Series Thermal Imaging Cameras, Oct. 2011, 8 pages, FLIR Systems, Inc., U.S.

* cited by examiner

Primary Examiner — Adir Aronovich

(74) *Attorney, Agent, or Firm* — Haynes and Boone, LLP

(57) **CLAIM**

The ornamental design for a camera, as shown and described.

DESCRIPTION

FIG. 1 is a front-left-top perspective view of a camera embodying the new design;

FIG. 2 is a front elevational view thereof;

FIG. 3 is a rear elevational view thereof;

FIG. 4 is a right side elevational view thereof;

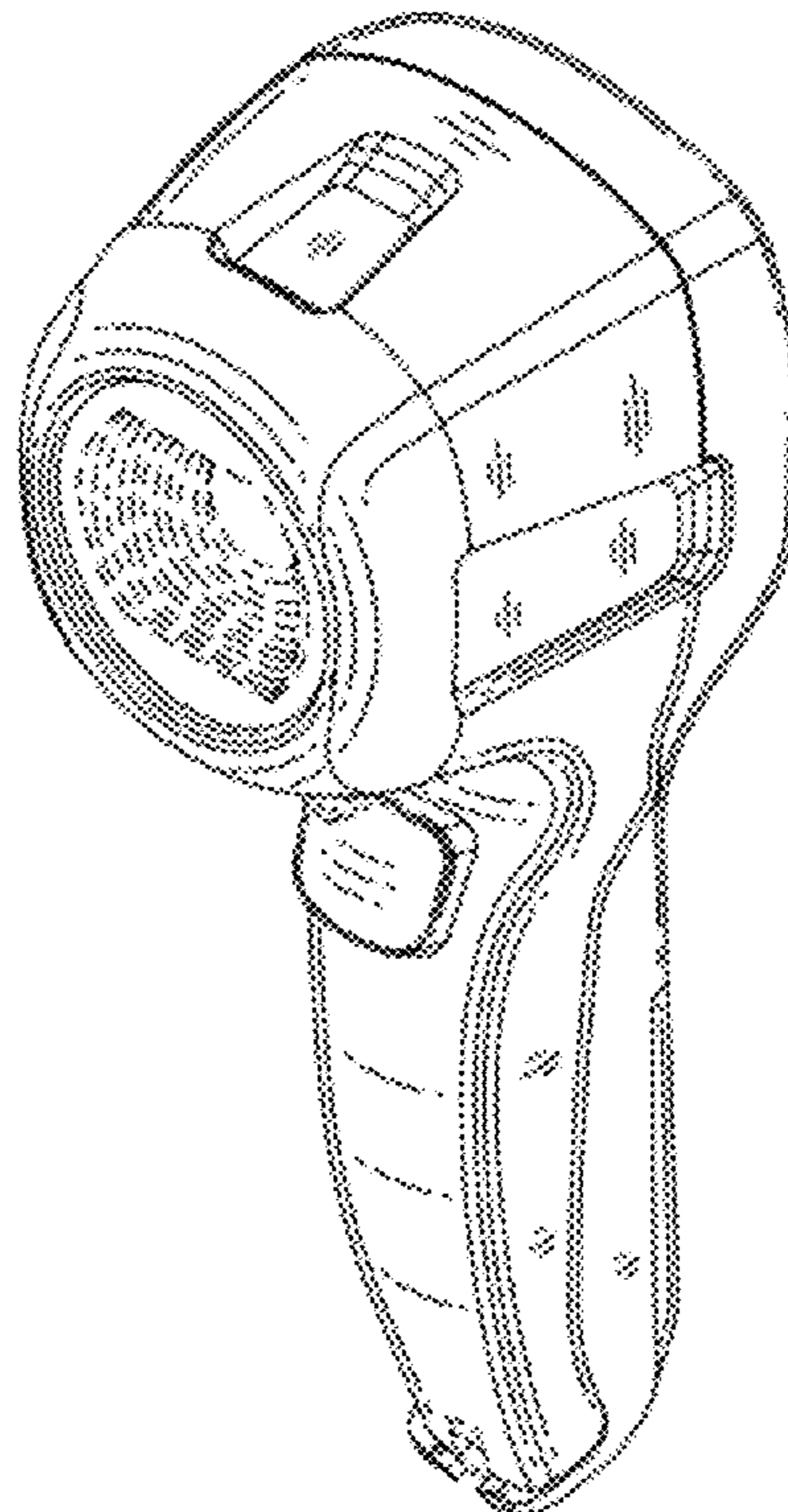
FIG. 5 is a left side elevational view thereof;

FIG. 6 is a top plan view thereof; and,

FIG. 7 is a bottom plan view thereof.

The broken lines in the figures are shown for the purpose of illustrating environmental matter and form no part of the claimed design.

1 Claim, 7 Drawing Sheets



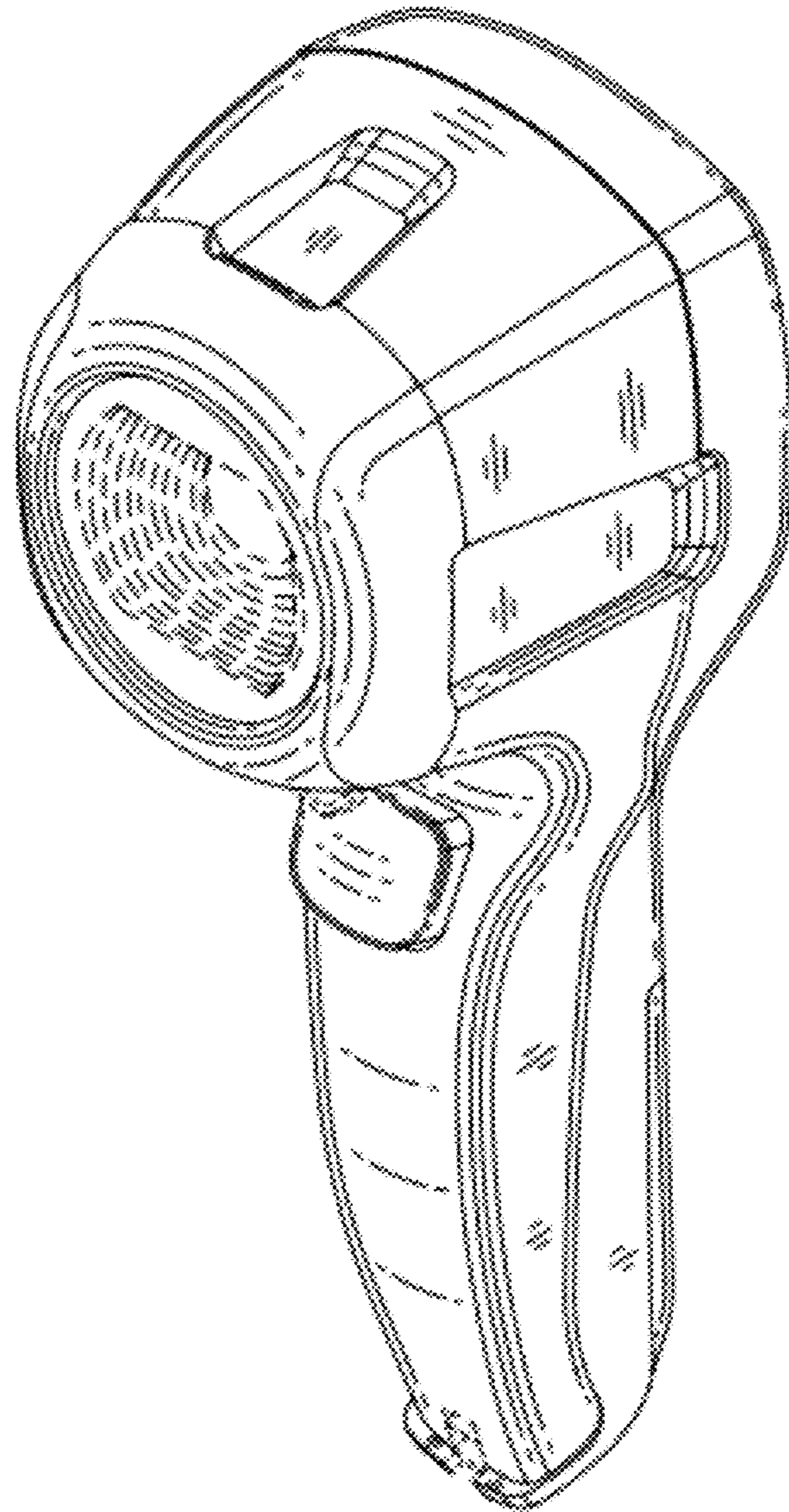


FIG. 1

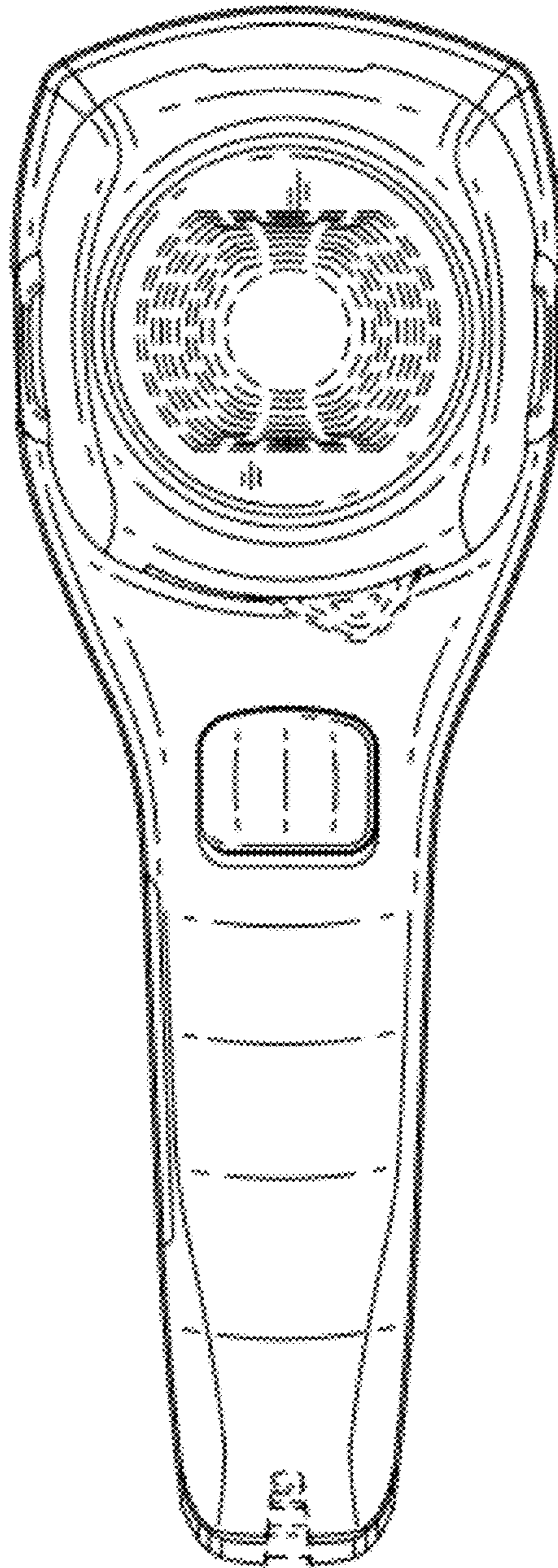


FIG. 2

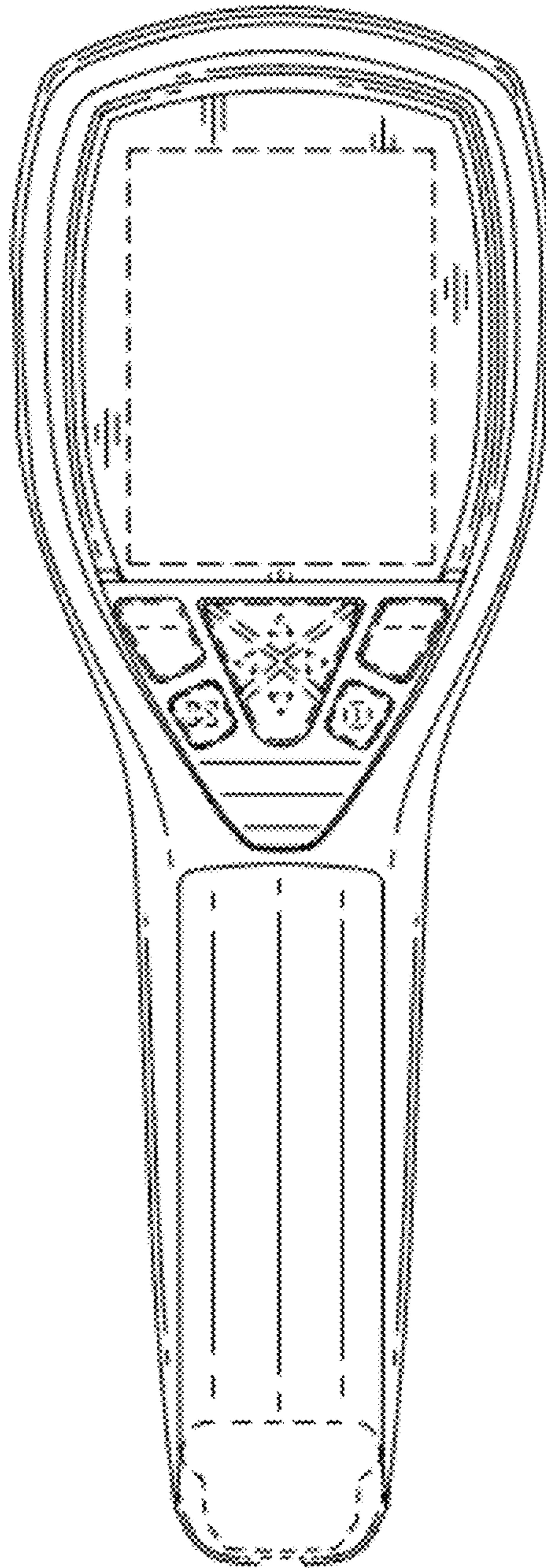


FIG. 3

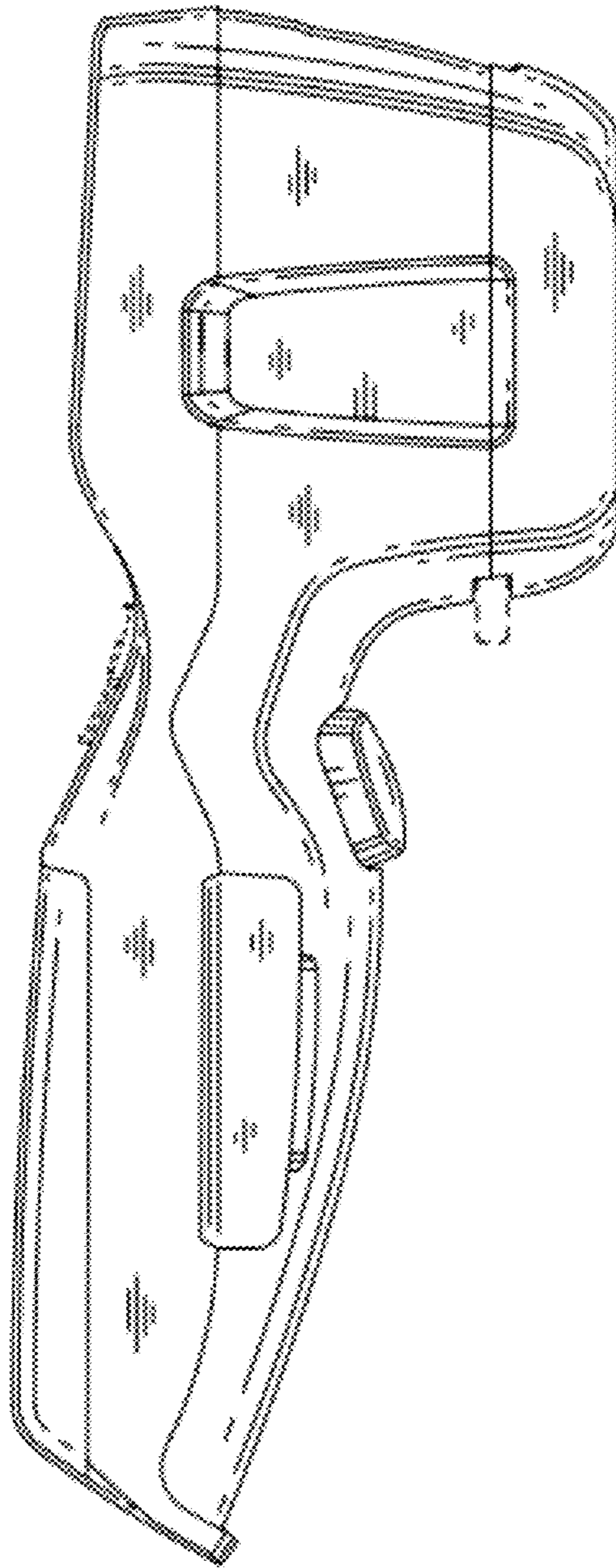


FIG. 4

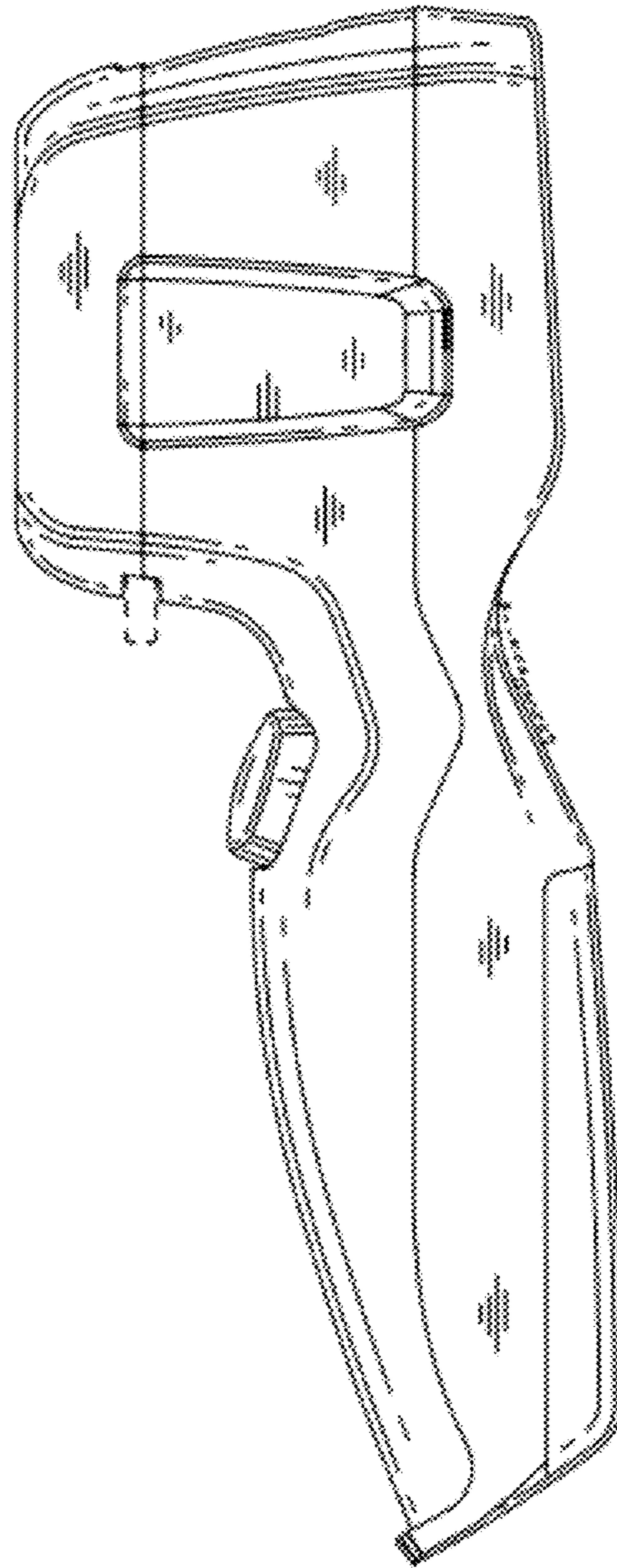


FIG. 5

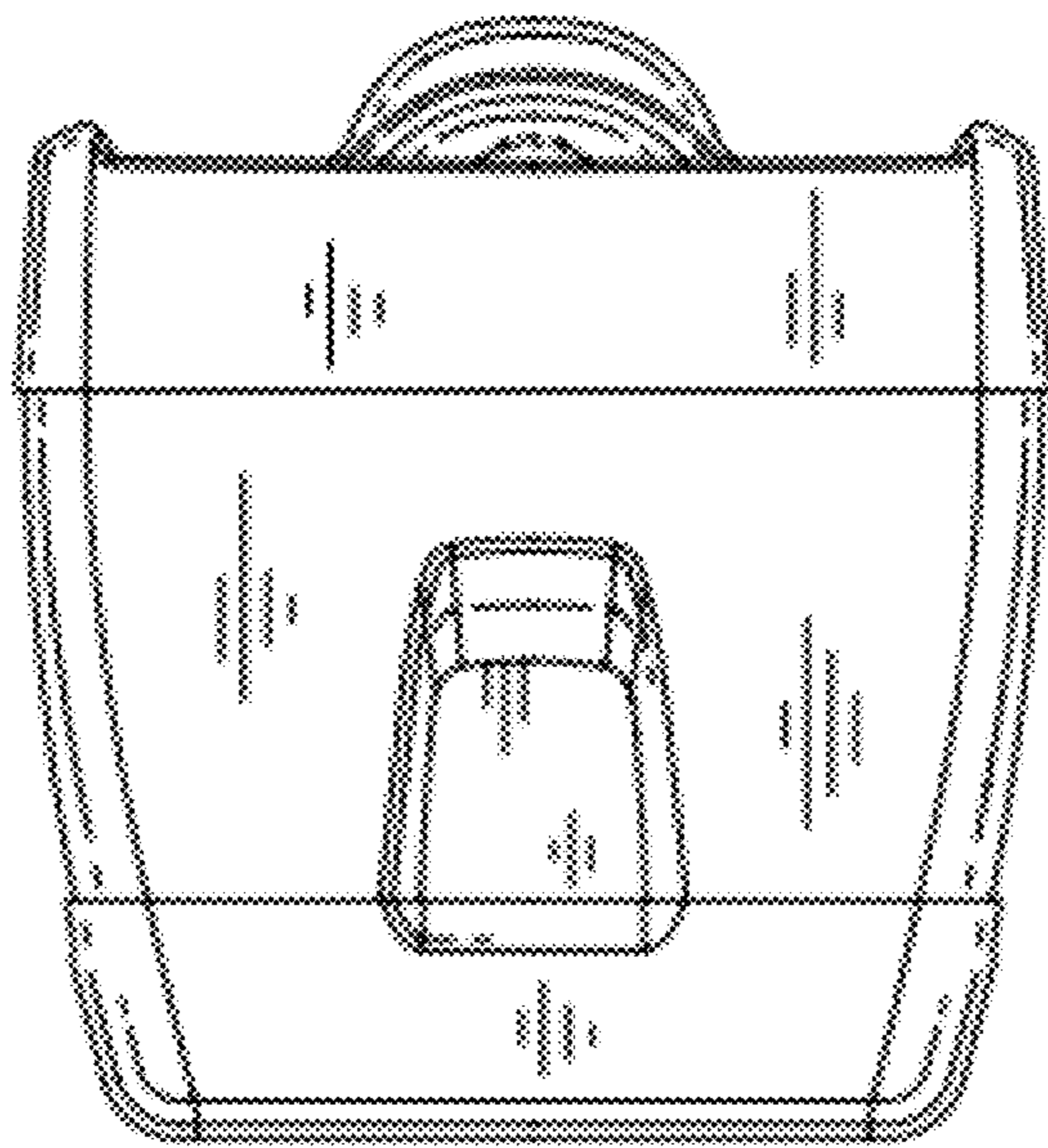


FIG. 6

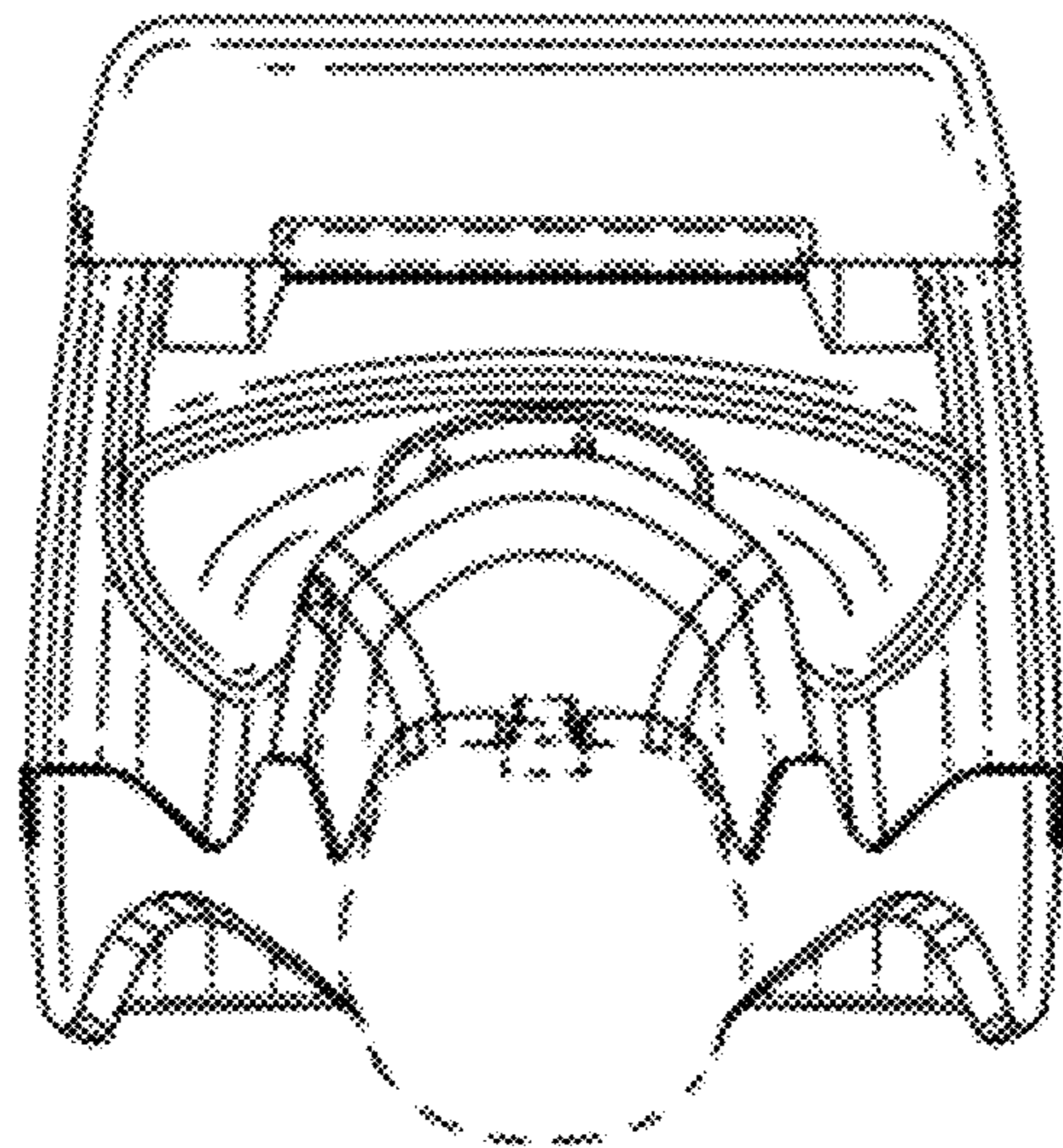


FIG. 7