



US00D677295S

(12) **United States Design Patent**
Fujita et al.

(10) **Patent No.:** **US D677,295 S**
(45) **Date of Patent:** **** Mar. 5, 2013**

(54) **PROJECTOR-EQUIPPED DIGITAL CAMERA**

(75) Inventors: **Chikara Fujita**, Ota (JP); **Chihiro Tsukamoto**, Tokyo (JP)

(73) Assignee: **Nikon Corporation**, Tokyo (JP)

(**) Term: **14 Years**

(21) Appl. No.: **29/410,106**

(22) Filed: **Jan. 4, 2012**

(30) **Foreign Application Priority Data**

Jul. 8, 2011 (JP) 2011-015700

(51) **LOC (9) Cl.** **16-01**

(52) **U.S. Cl.** **D16/202**

(58) **Field of Classification Search** D16/200–204,
D16/208, 218, 212, 219; 348/373–376; 358/909.1;
396/59, 448, 535–541

See application file for complete search history.

(56) **References Cited**

U.S. PATENT DOCUMENTS

5,162,832	A	*	11/1992	Kakita et al.	396/59
6,347,893	B1	*	2/2002	Shiono et al.	396/448
D500,333	S	*	12/2004	Hong et al.	D16/218
D570,889	S	*	6/2008	Nakajima	D16/202
D585,084	S	*	1/2009	Yamamoto et al.	D16/202
D610,179	S	*	2/2010	Tajima	D16/202

D610,182	S	*	2/2010	Ohta	D16/202
D635,604	S	*	4/2011	Sul et al.	D16/202
D648,765	S	*	11/2011	Tsukamoto	D16/202
D665,003	S	*	8/2012	Sakai	D16/202

* cited by examiner

Primary Examiner — Adir Aronovich

(74) *Attorney, Agent, or Firm* — Posz Law Group, PLC

(57) **CLAIM**

The ornamental design for a projector-equipped digital camera, as shown and described.

DESCRIPTION

FIG. 1 is a front, top and right side perspective view of projector-equipped digital camera showing our new design; FIG. 2 is a rear, bottom and left side perspective view thereof; FIG. 3 is a front elevational view thereof; FIG. 4 is a rear elevational view thereof; FIG. 5 is a top plan view thereof; FIG. 6 is a bottom plan view thereof; FIG. 7 is a right side elevational view thereof; FIG. 8 is a left side elevational view thereof; and, FIG. 9 is a front elevational view, the sliding cover in an opened position.

The features shown in broken lines in the drawings depict environmental subject matter only and form no part of the claimed design.

1 Claim, 7 Drawing Sheets

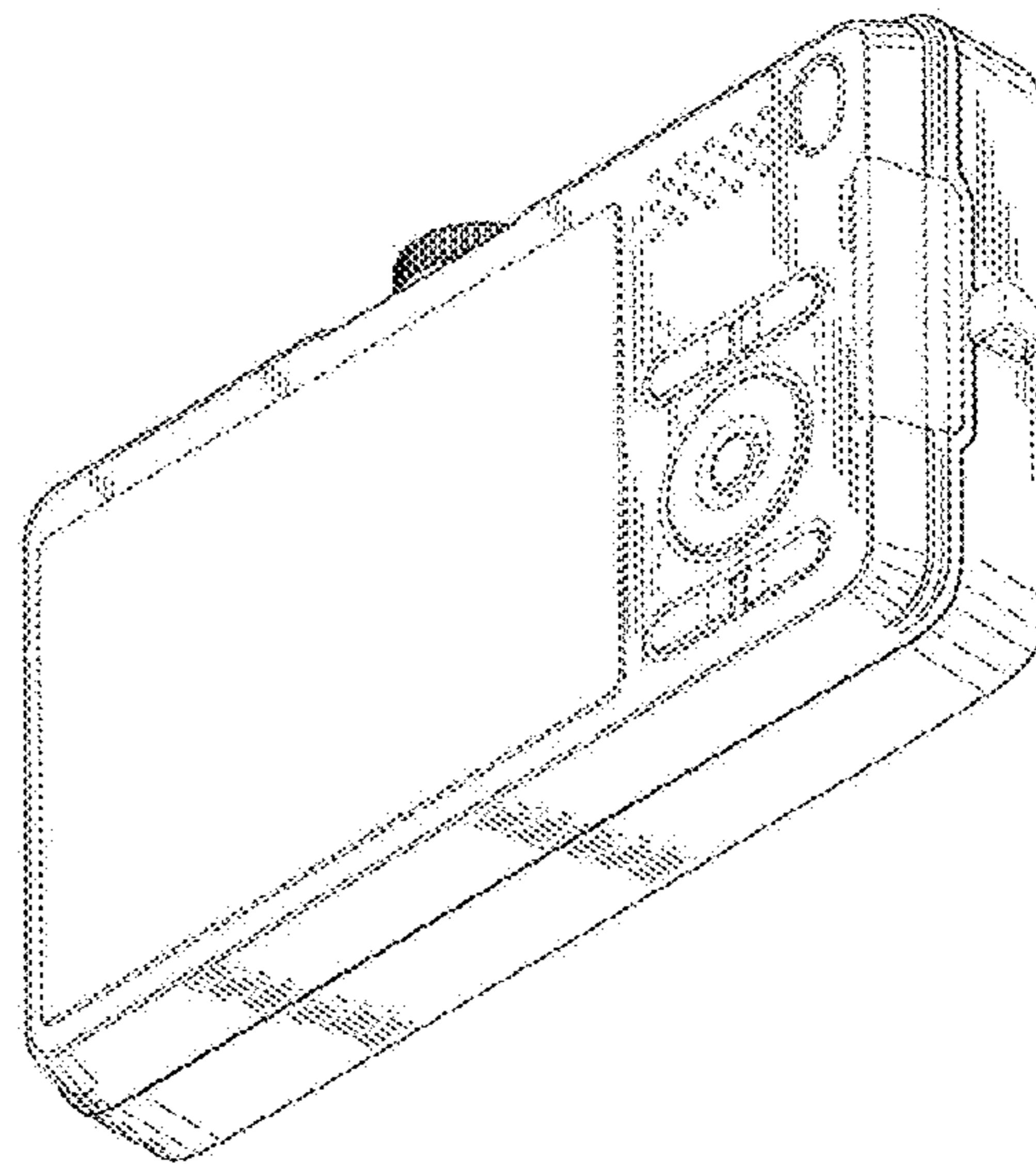
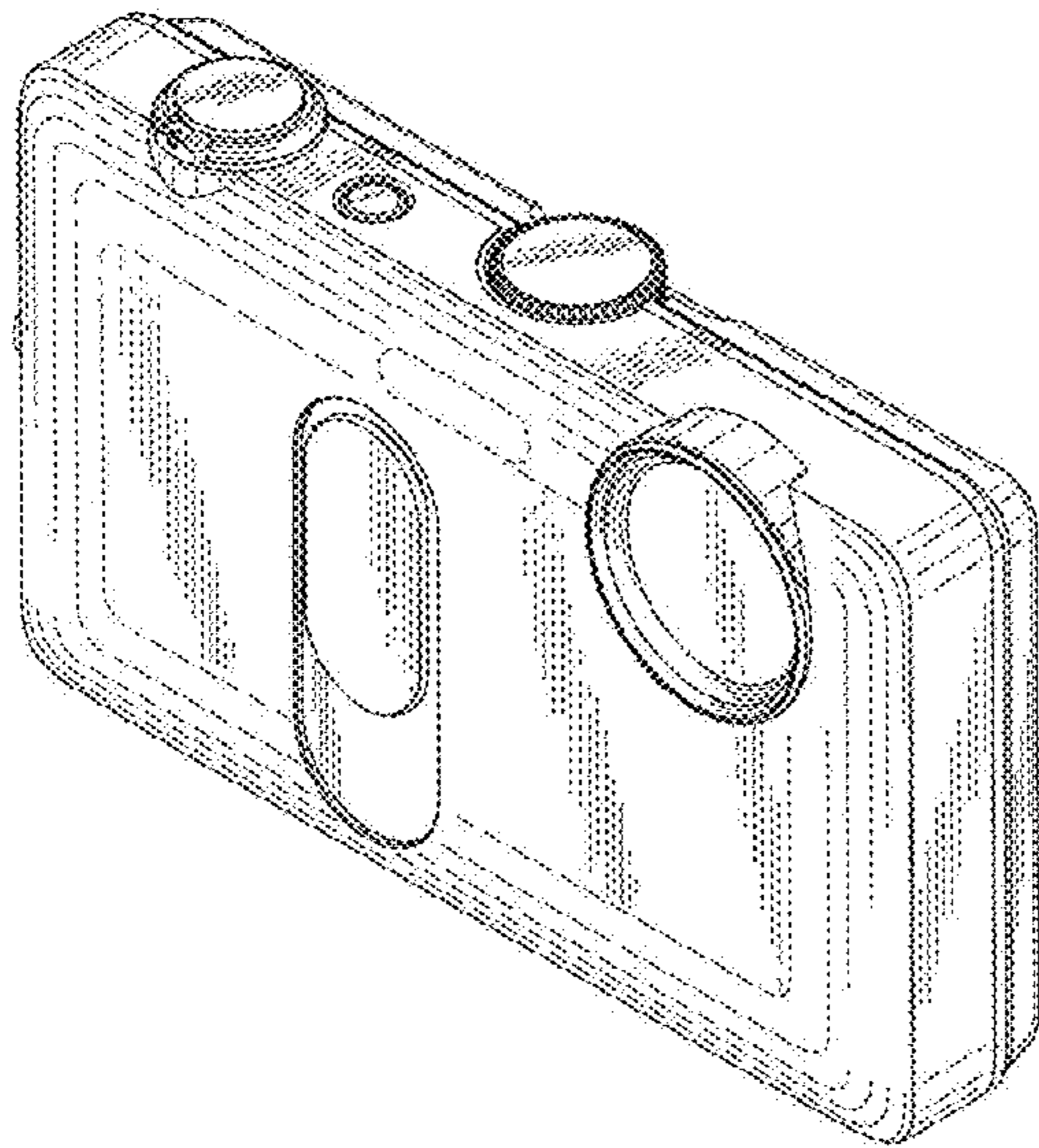


FIG. 1

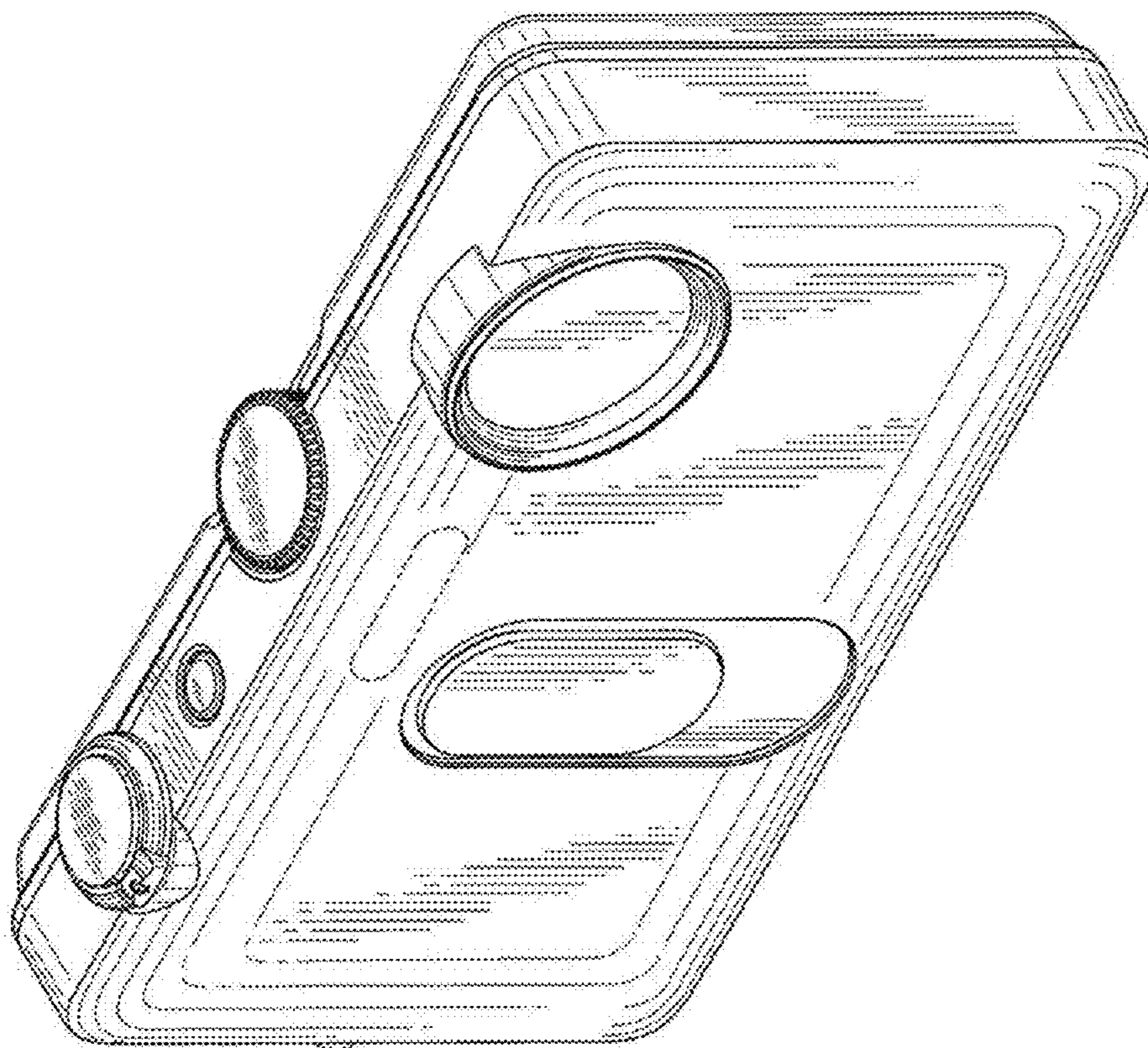


FIG. 2

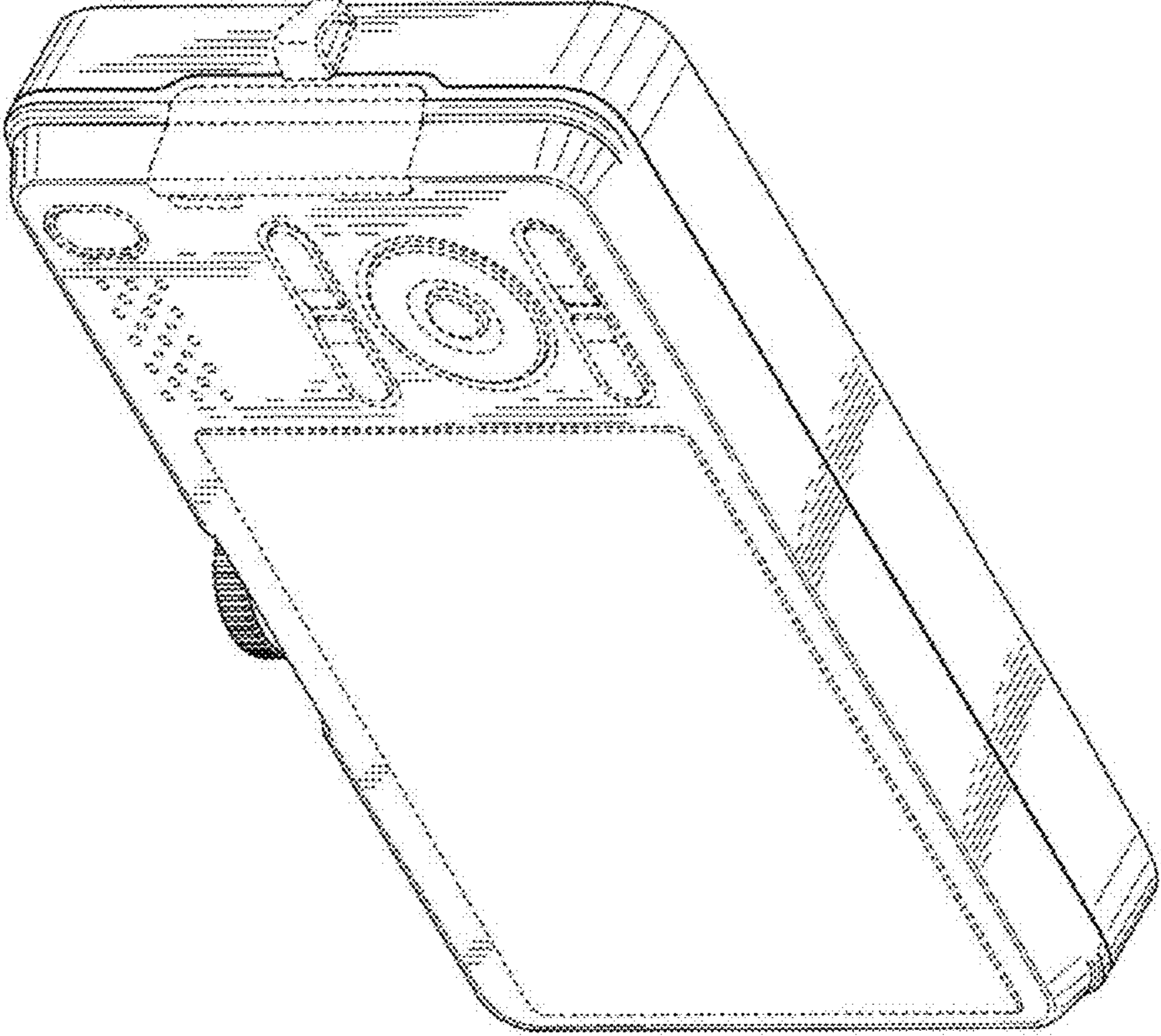


FIG. 3

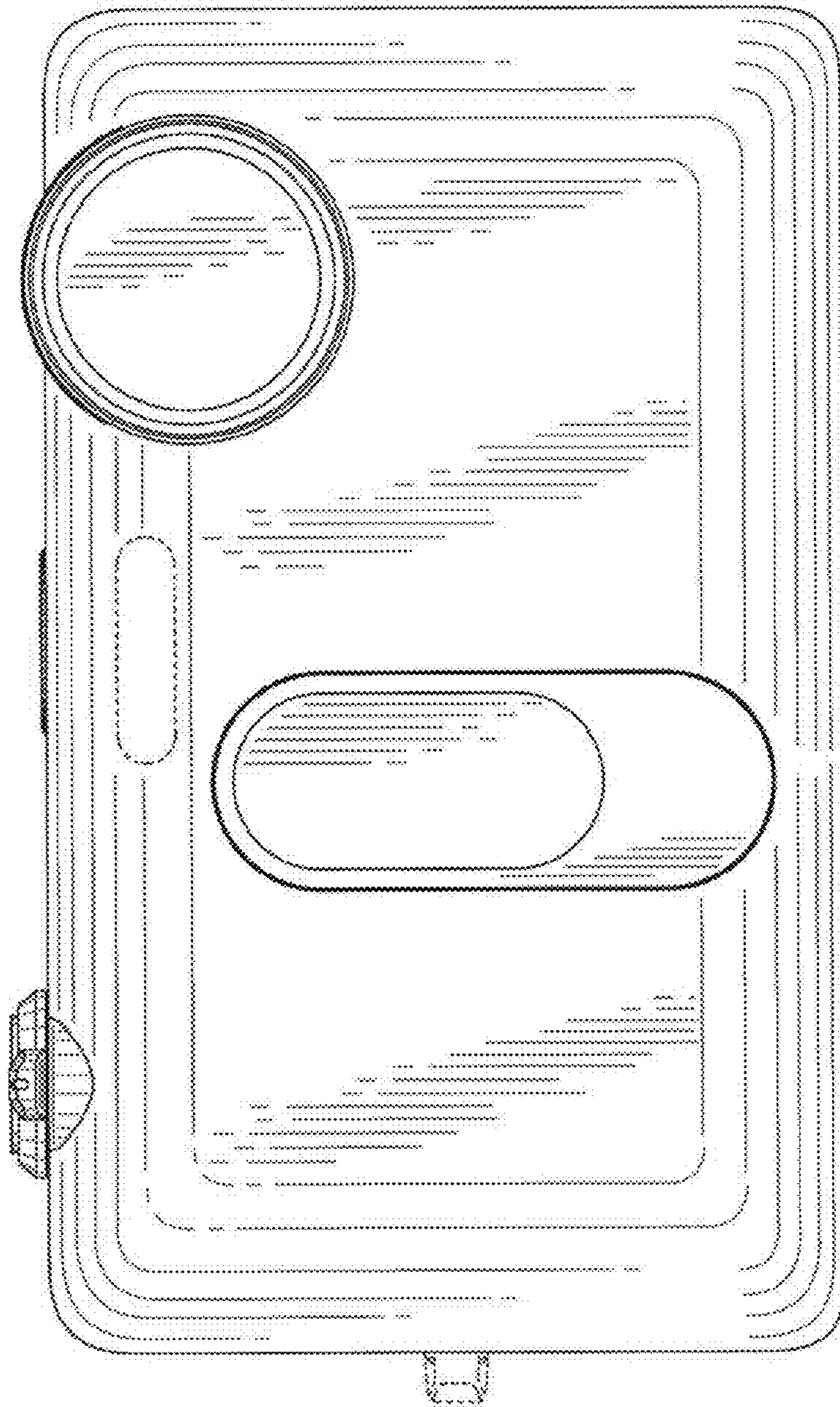


FIG. 4

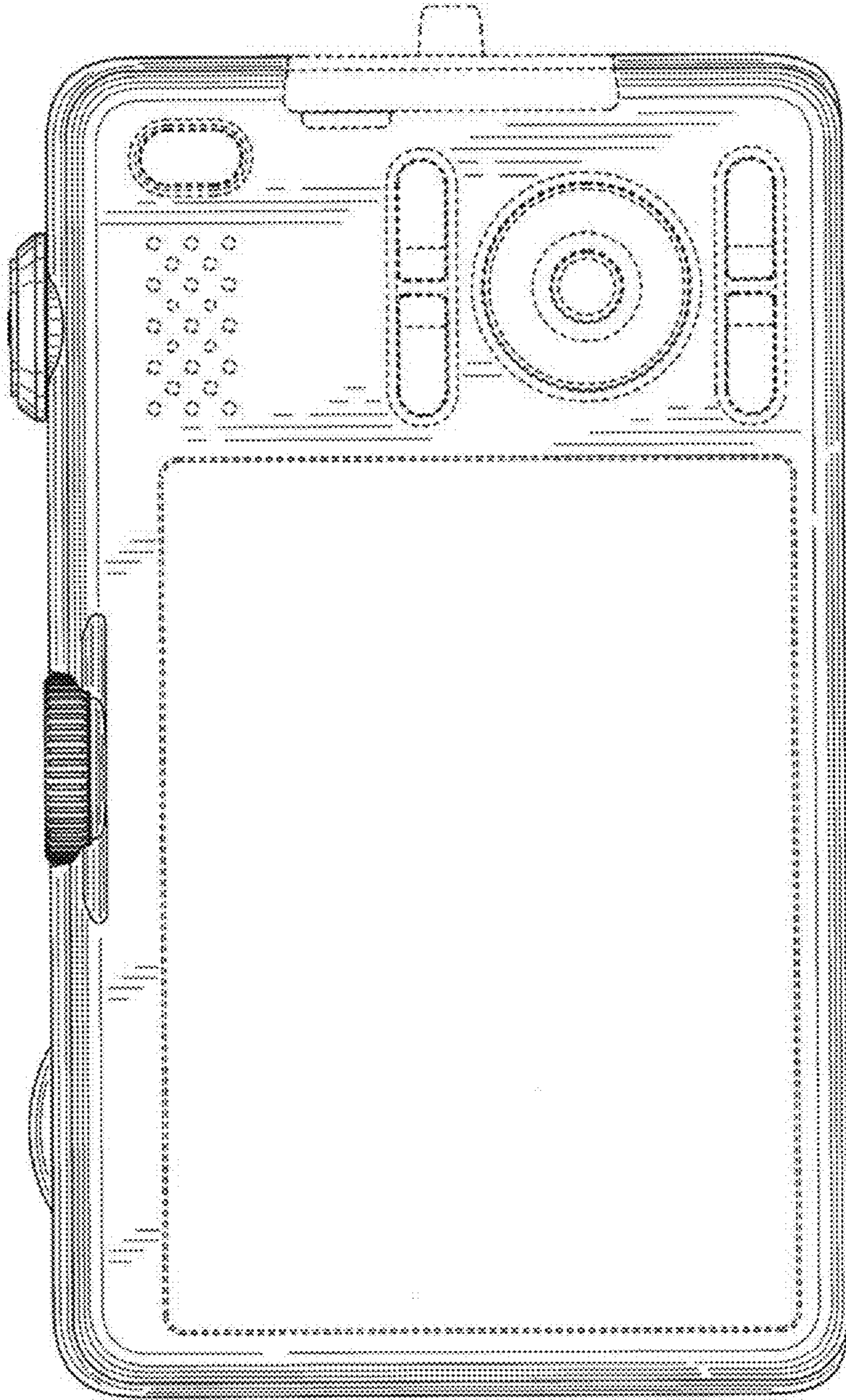


FIG. 5

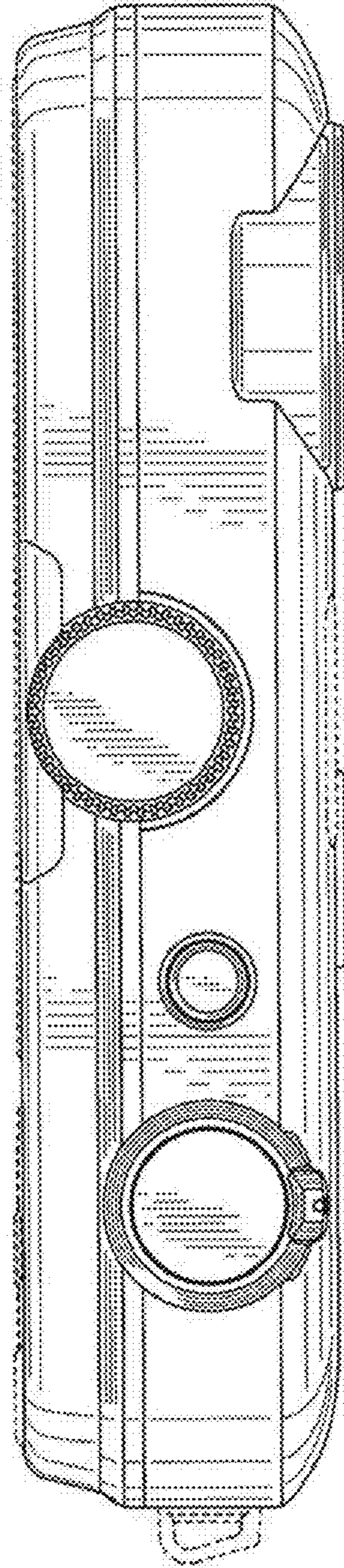


FIG. 6

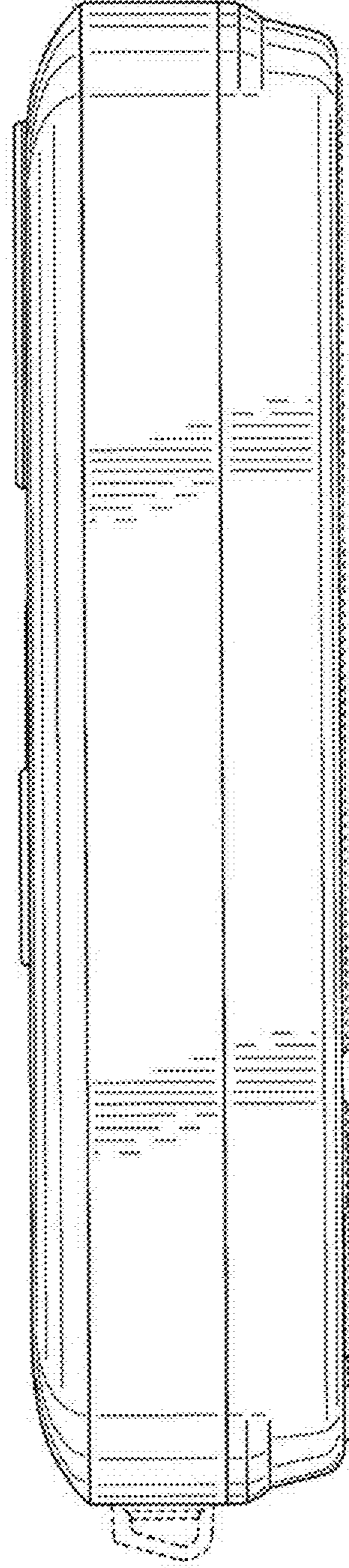


FIG. 8

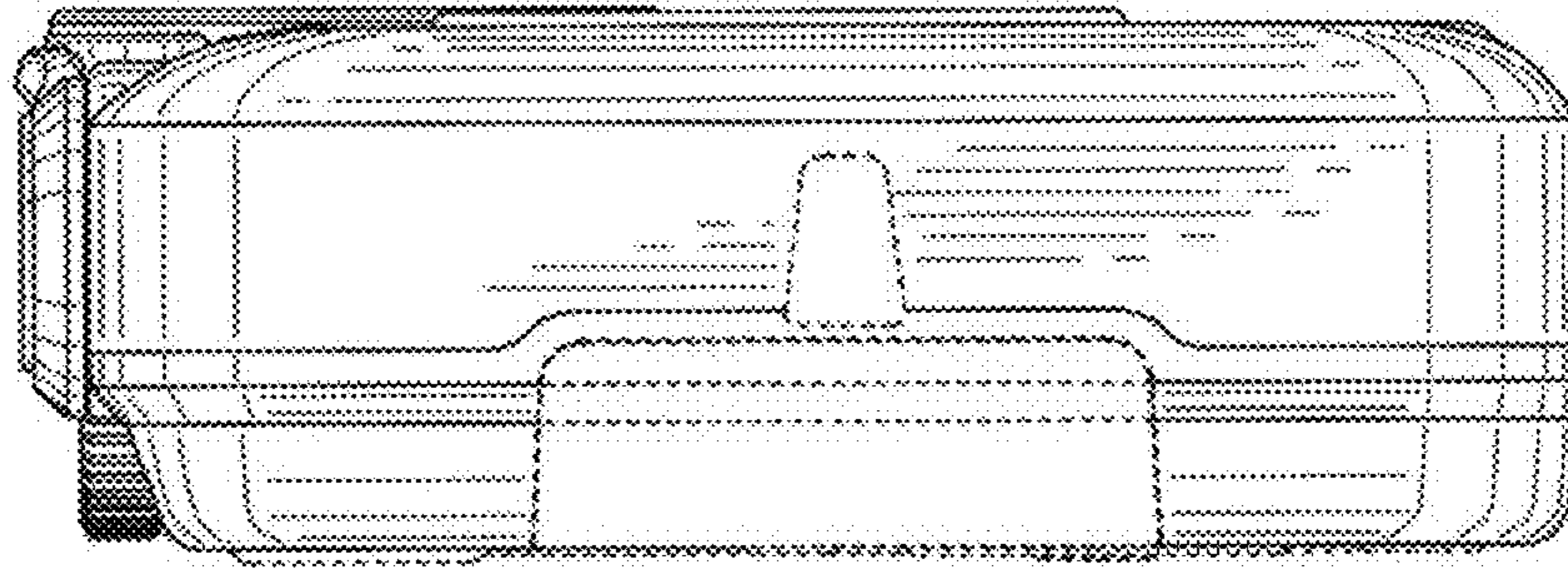


FIG. 7



FIG. 9

