



US00D677294S

(12) **United States Design Patent**
Long

(10) **Patent No.:** **US D677,294 S**
(45) **Date of Patent:** **** Mar. 5, 2013**

(54) **ROBOT**

(75) Inventor: **Bo Long**, Shenzhen (CN)

(73) Assignee: **Hon Hai Precision Industry Co., Ltd.**,
New Taipei (TW)

(**) Term: **14 Years**

(21) Appl. No.: **29/432,238**

(22) Filed: **Sep. 14, 2012**

(51) **LOC (9) Cl.** **15-99**

(52) **U.S. Cl.** **D15/199**

(58) **Field of Classification Search** D15/122,
D15/199; D24/176; D34/35; 74/490.01,
74/490.02, 490.03, 490.05; 198/370.1, 370.04,
198/722, 771, 782, 866, 890, 890.1; 219/124.34,
219/639; 318/560; 414/744.1, 935, 936,
414/937, 938, 940

See application file for complete search history.

(56) **References Cited**

U.S. PATENT DOCUMENTS

D300,935 S *	5/1989	Maddock et al.	D15/199
D334,581 S *	4/1993	Yoshikawa et al.	D15/199
D344,279 S *	2/1994	Koyama et al.	D15/199
D344,280 S *	2/1994	Koyama et al.	D15/199
D440,241 S *	4/2001	Kawahara et al.	D15/199
D444,488 S *	7/2001	Selic et al.	D15/199
D613,781 S *	4/2010	Liu et al.	D15/199
D615,574 S *	5/2010	Liu et al.	D15/199
D616,477 S *	5/2010	Long et al.	D15/199

D616,909 S *	6/2010	Long	D15/199
D624,104 S *	9/2010	Miyake et al.	D15/199
D629,030 S *	12/2010	Long et al.	D15/199
D638,044 S *	5/2011	Ikoma et al.	D15/199
D638,455 S *	5/2011	Long	D15/199
D650,820 S *	12/2011	Long	D15/199
D651,627 S *	1/2012	Long	D15/199
D670,319 S *	11/2012	Liu et al.	D15/199
2005/0092122 A1 *	5/2005	Markert et al.	74/490.01
2005/0204850 A1 *	9/2005	Nihei et al.	74/490.01
2011/0303042 A1 *	12/2011	Pan et al.	74/490.05

* cited by examiner

Primary Examiner — Patricia Palasik

(74) *Attorney, Agent, or Firm* — Altis Law Group, Inc.

(57) **CLAIM**

The ornamental design for a robot, as shown and described.

DESCRIPTION

FIG. 1 is a perspective view of a robot showing my design.

FIG. 2 is a front elevational view thereof;

FIG. 3 is a rear elevational view thereof;

FIG. 4 is a left-side elevational view thereof;

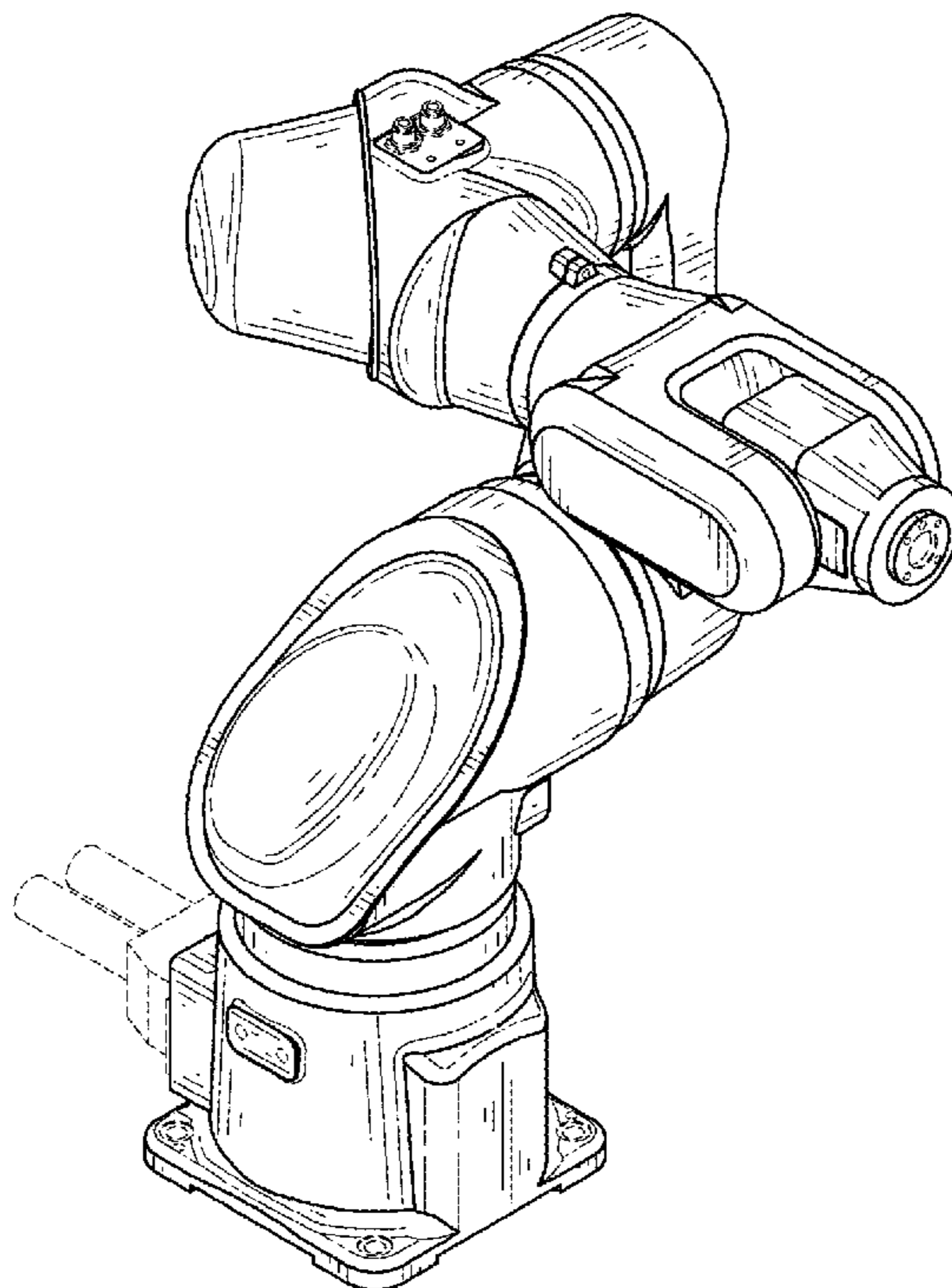
FIG. 5 is a right-side elevational view thereof;

FIG. 6 is a top plan view thereof; and,

FIG. 7 is a bottom plan view thereof.

The broken lines shown are for the purpose of illustrating unclaimed portions of the robot and form no part of the claimed design.

1 Claim, 7 Drawing Sheets



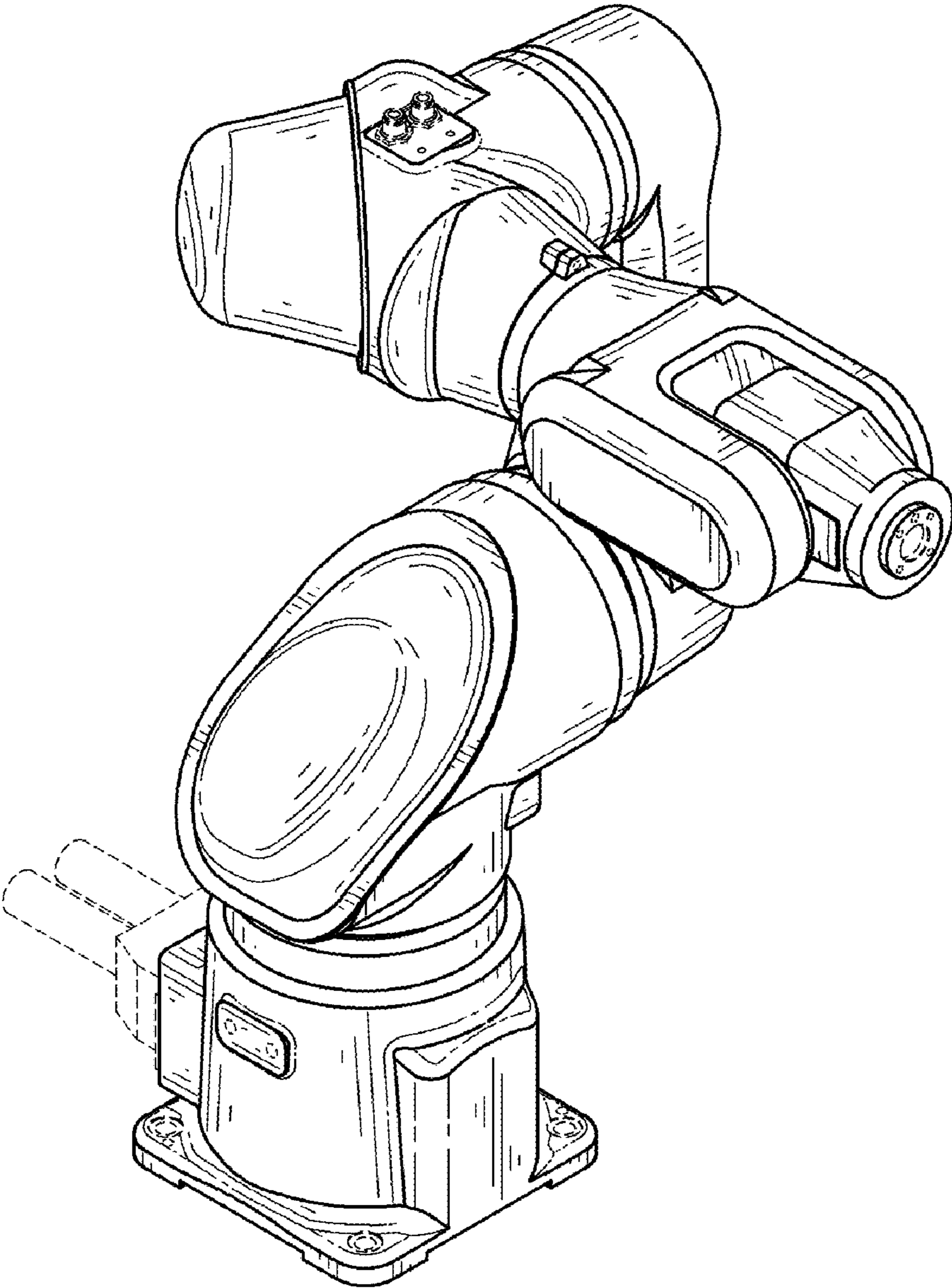


FIG. 1

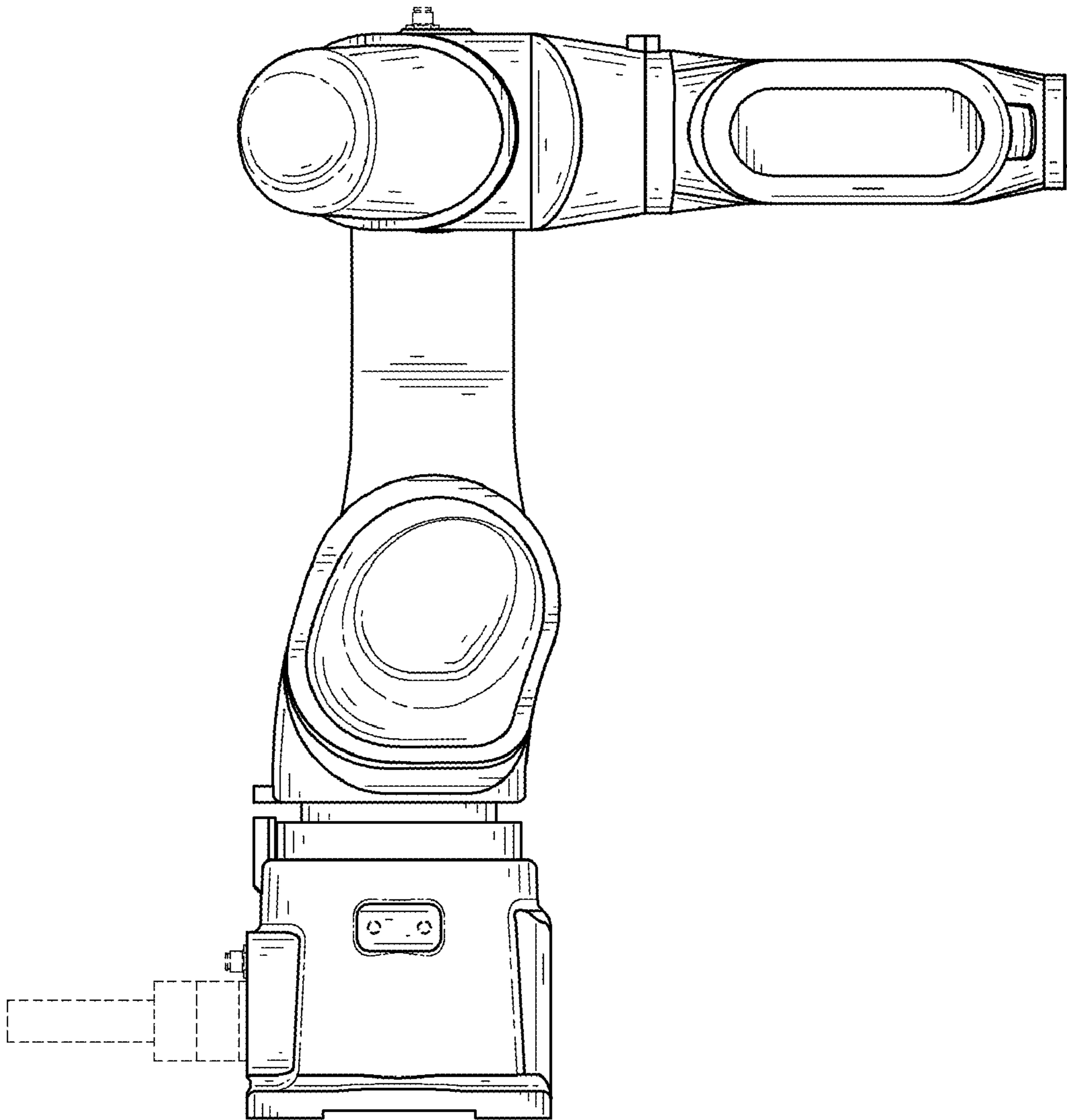


FIG. 2

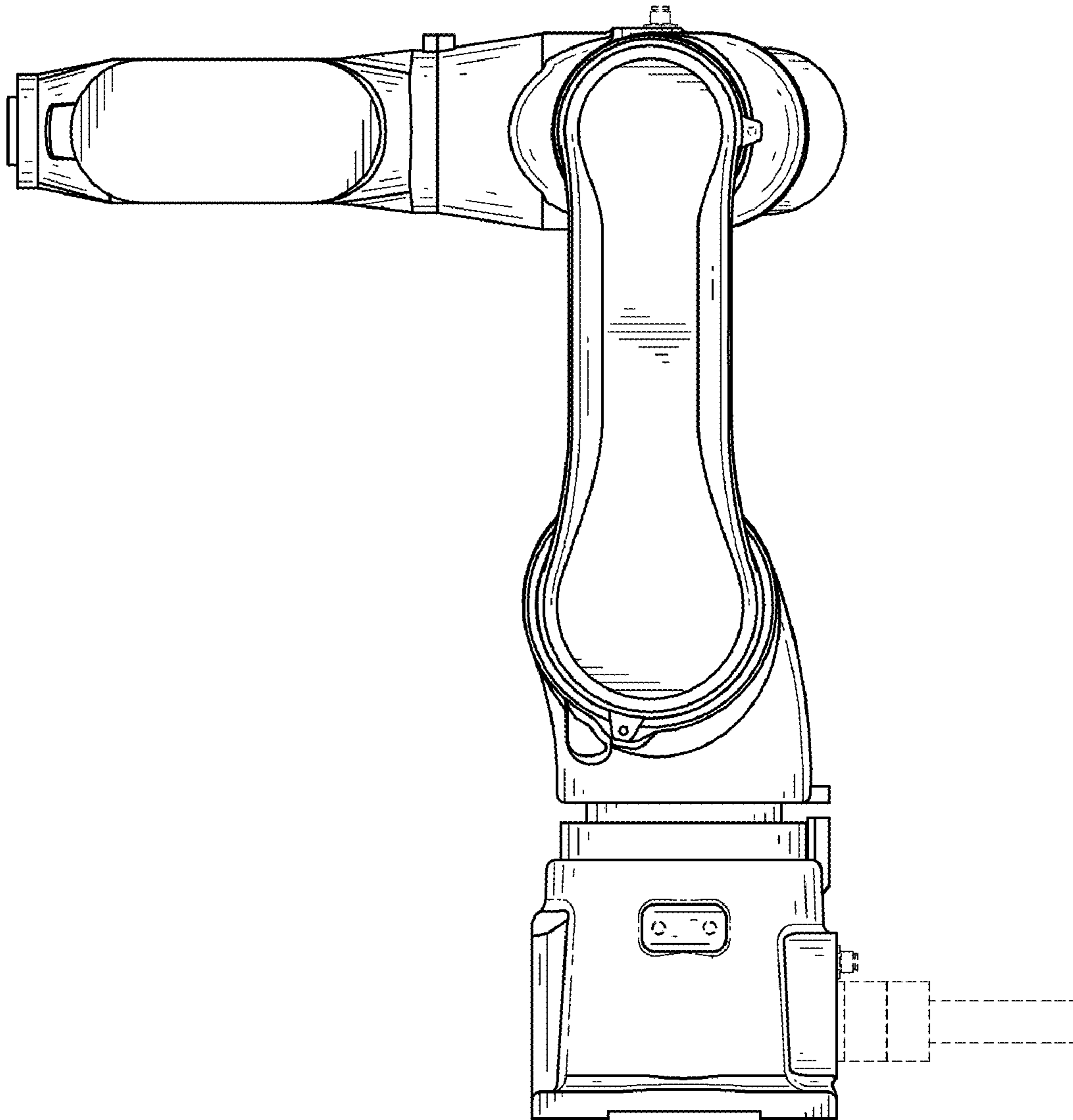


FIG. 3

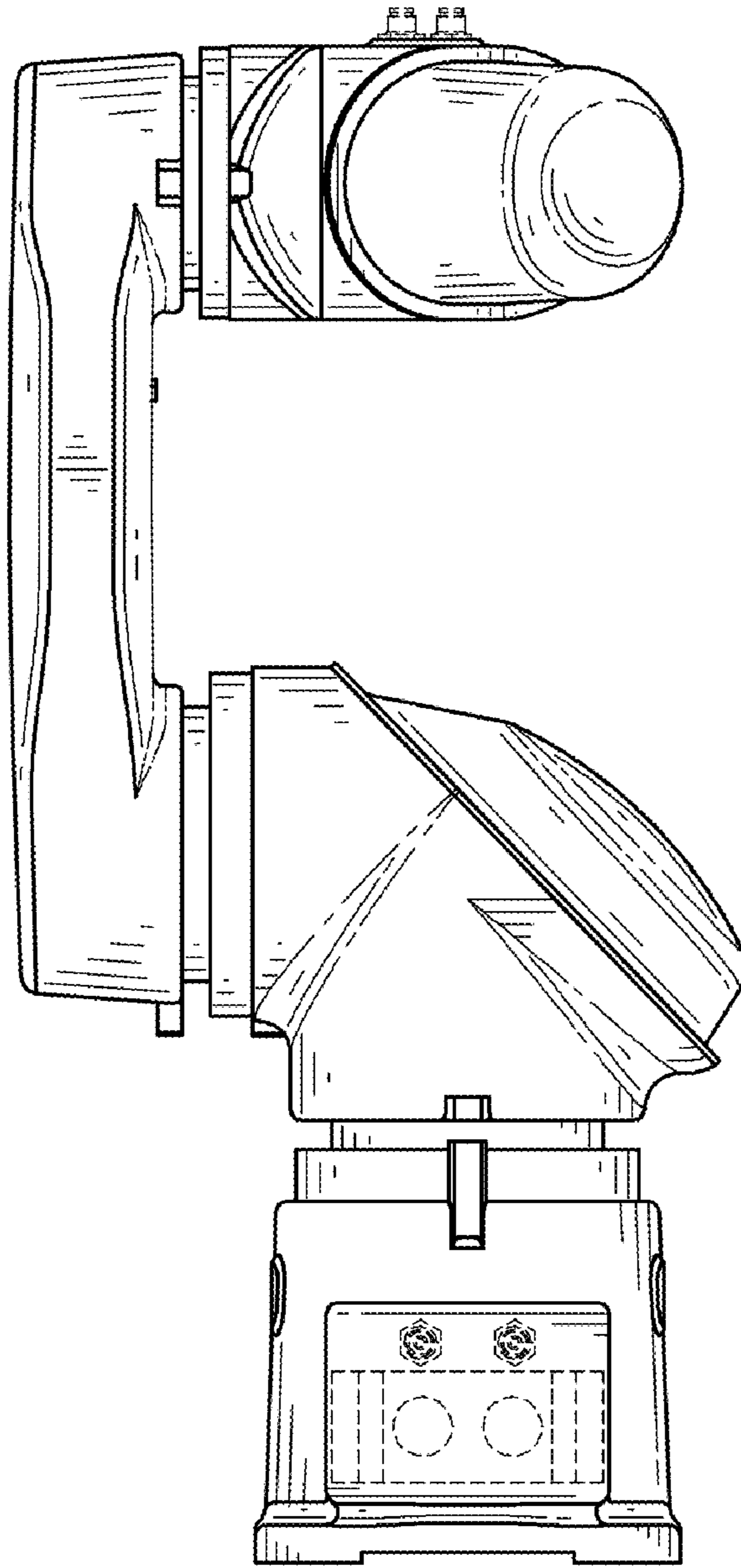


FIG. 4

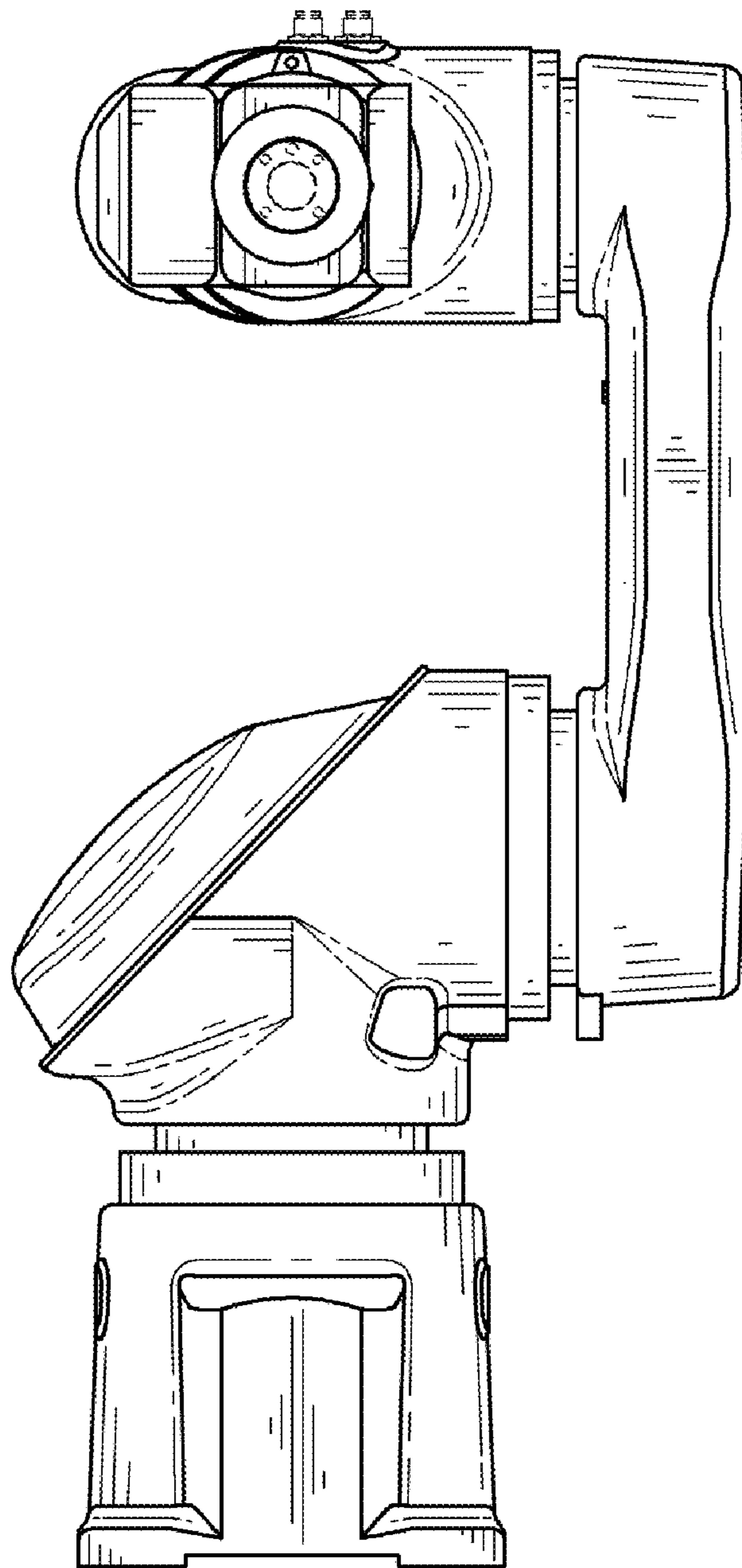


FIG. 5

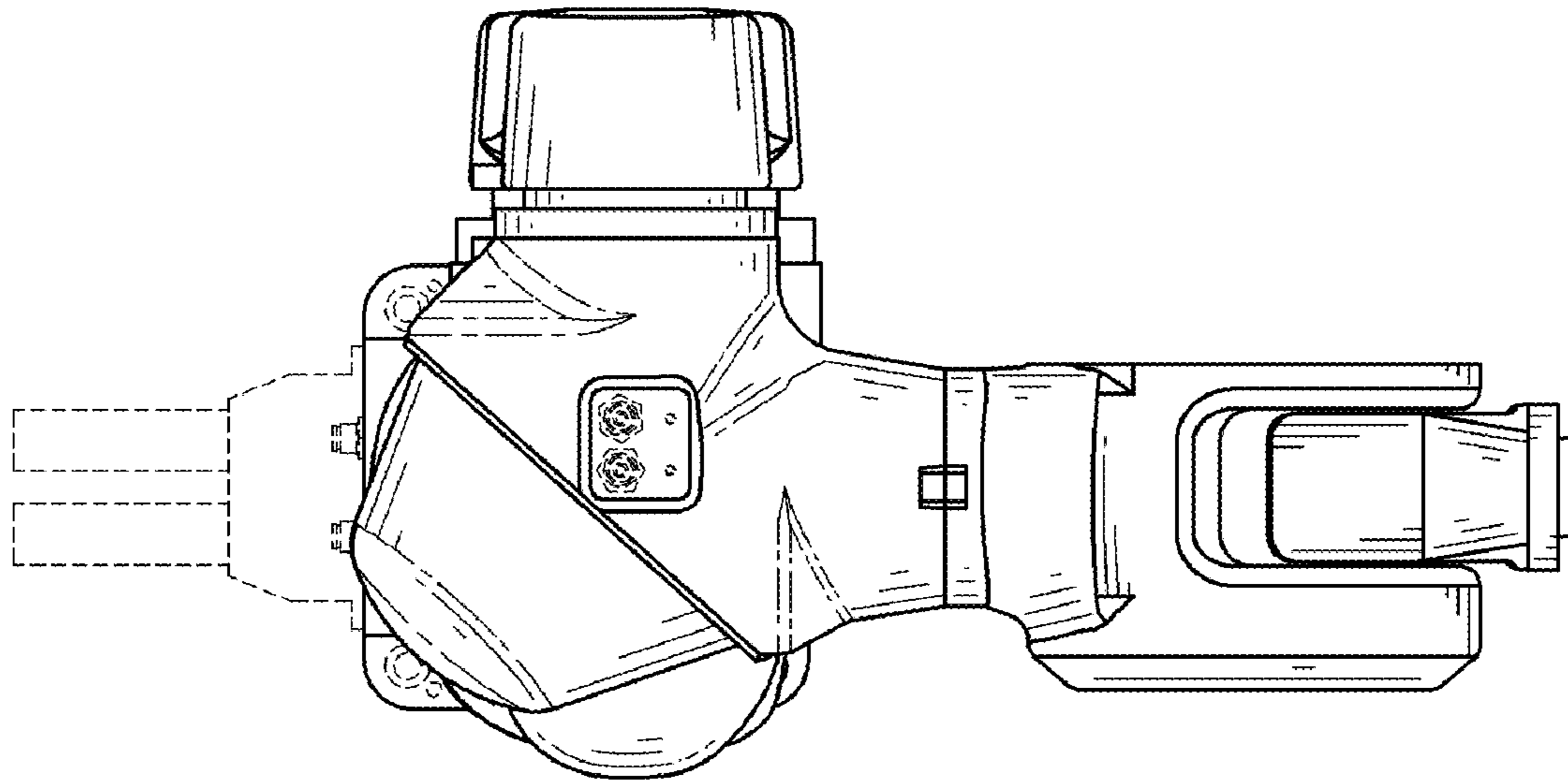


FIG. 6

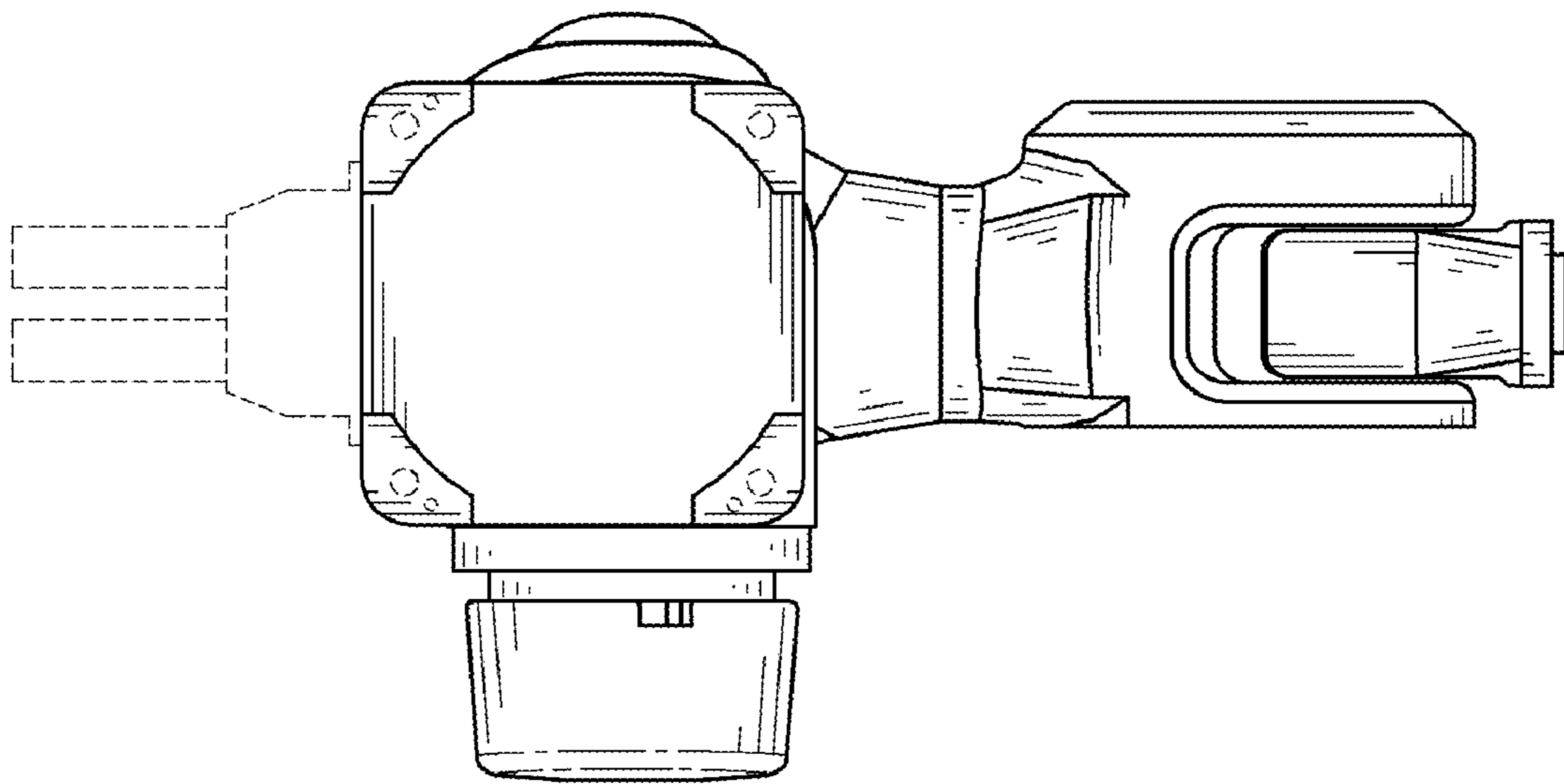


FIG. 7